



US00D444275S

(12) **United States Design Patent**  
**Mehaffey**

(10) **Patent No.:** **US D444,275 S**

(45) **Date of Patent:** **\*\* Jun. 26, 2001**

(54) **DIRT CONTAINER FOR BAGLESS UPRIGHT VACUUM CLEANER**

(75) **Inventor:** **David E. Mehaffey**, Danville, KY (US)

(73) **Assignee:** **Matsushita Electric Corporation of America**, Secaucus, NJ (US)

(\*\*) **Term:** **14 Years**

(21) **Appl. No.:** **29/131,166**

(22) **Filed:** **Oct. 16, 2000**

(51) **LOC (7) Cl.** ..... **15-05**

(52) **U.S. Cl.** ..... **D32/30**

(58) **Field of Search** ..... D32/21-25, 30-34;  
15/30, 31, 25, 347, 353; 55/327, 345, 342,  
429, 439, 472, 459

(56) **References Cited**

**U.S. PATENT DOCUMENTS**

- D. 293,728 1/1988 Ohhira et al. .
- D. 299,176 12/1988 Bowerman et al. .
- D. 301,784 6/1989 Petralia et al. .
- D. 305,269 12/1989 Dyson .
- D. 307,658 5/1990 Ikeda et al. .
- D. 314,072 1/1991 Shinozaki et al. .
- D. 327,145 6/1992 Kuriya .
- D. 343,707 1/1994 Dyson .
- D. 347,500 5/1994 Abe et al. .
- D. 357,096 4/1995 Wareham .
- D. 368,994 4/1996 Abe et al. .
- D. 371,653 7/1996 Nagamine et al. .

- D. 392,430 3/1998 Piccaluga et al. .
- D. 398,098 9/1998 Mehaffey et al. .
- D. 400,324 10/1998 Bobrosky et al. .
- D. 403,477 12/1998 Tsujimoto et al. .
- D. 407,873 4/1999 Burchard et al. .
- D. 412,379 7/1999 Stephens et al. .
- D. 418,265 12/1999 Farone et al. .
- D. 426,689 6/2000 Alford et al. .
- D. 427,397 6/2000 Alford et al. .
- D. 433,201 \* 10/2000 Wright et al. .... D32/30
- 5,078,761 1/1992 Dyson .
- 5,101,532 4/1992 Dyson et al. .
- 6,026,540 \* 2/2000 Wright et al. .... 15/347

\* cited by examiner

*Primary Examiner*—Mitchell Siegel

(74) *Attorney, Agent, or Firm*—King and Schickli, PLLC

(57) **CLAIM**

The ornamental design for a dirt container for bagless upright vacuum cleaner, shown and described.

**DESCRIPTION**

FIG. 1 is a right side perspective view of the dirt container for bagless upright vacuum cleaner of the present invention showing the remainder of the vacuum cleaner in phantom line;

FIG. 2 is a left side perspective view thereof;

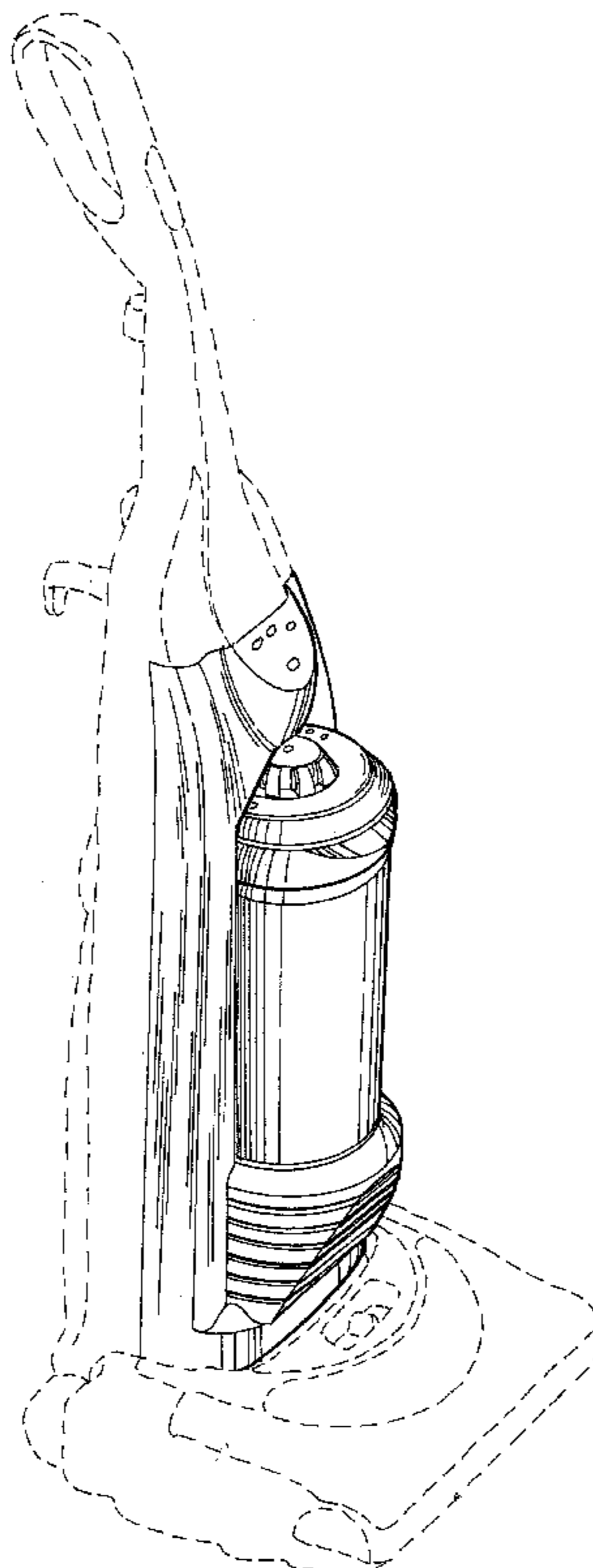
FIG. 3 is a right side elevational view thereof;

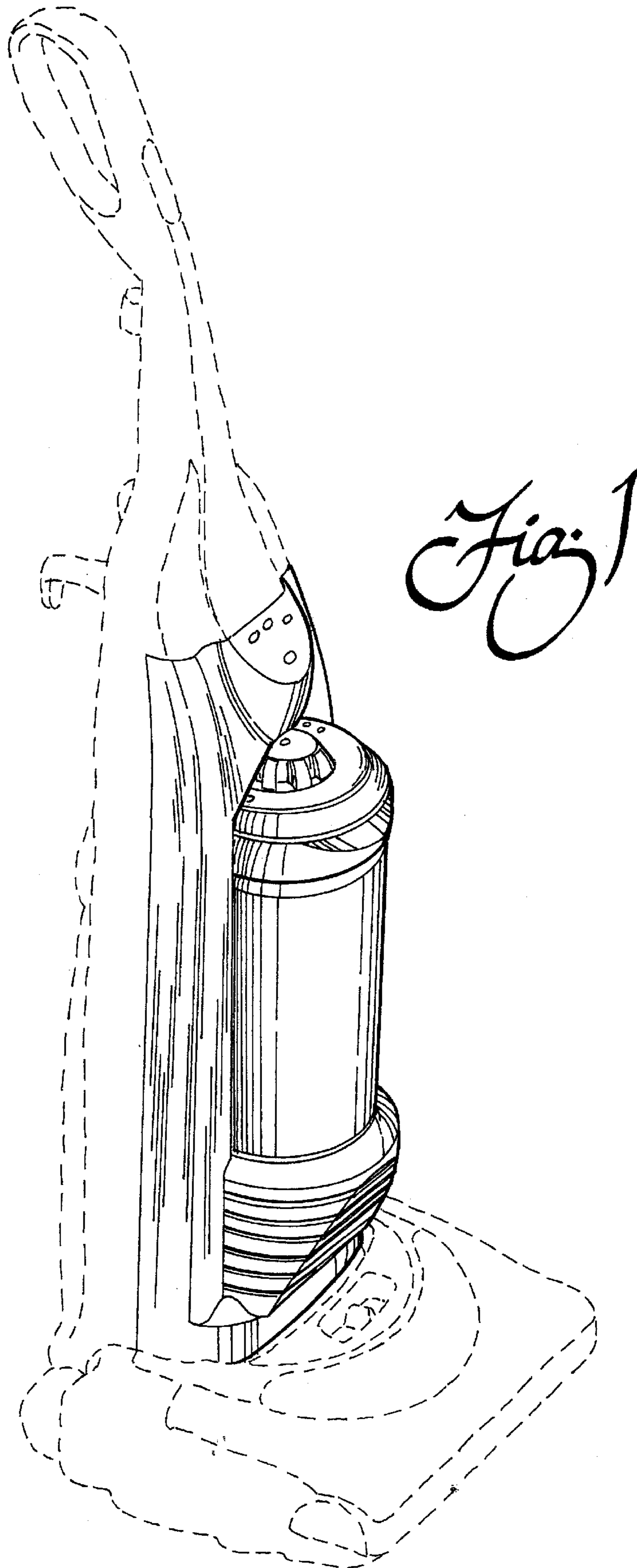
FIG. 4 is a left side elevational view thereof.

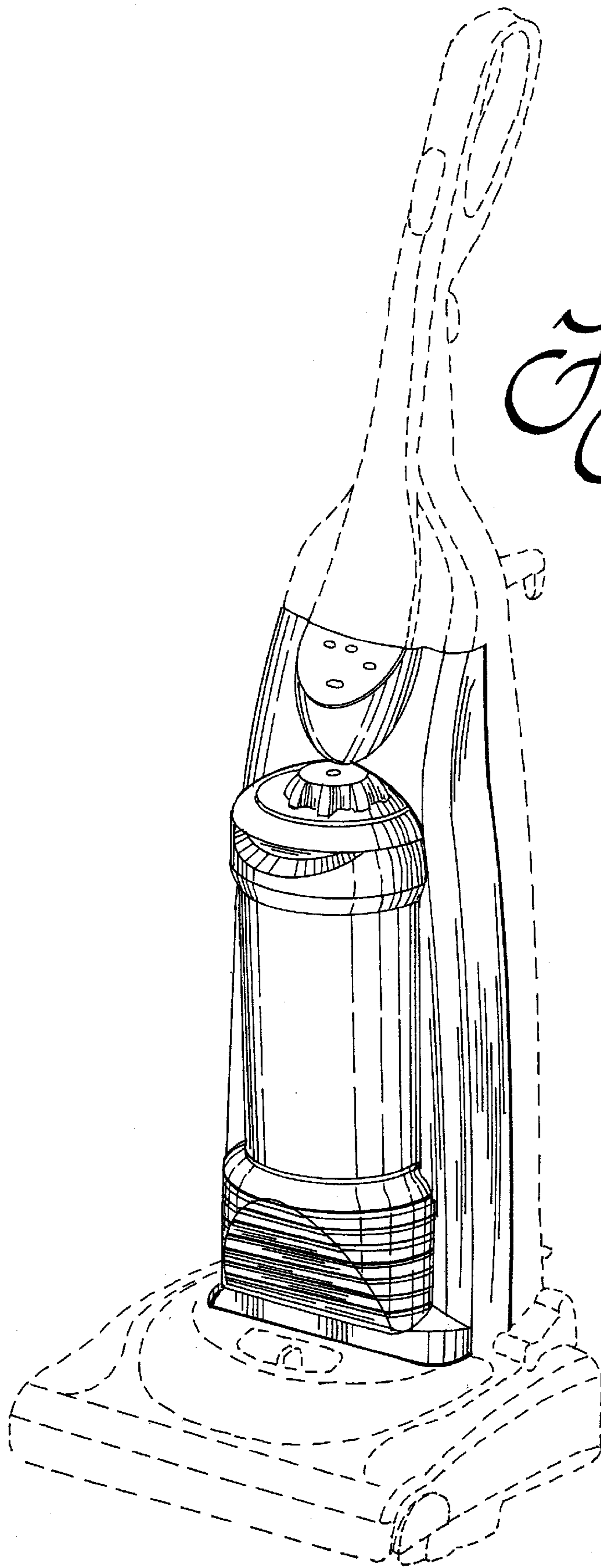
FIG. 5 is a front elevational view thereof; and,

FIG. 6 is a top plan view thereof.

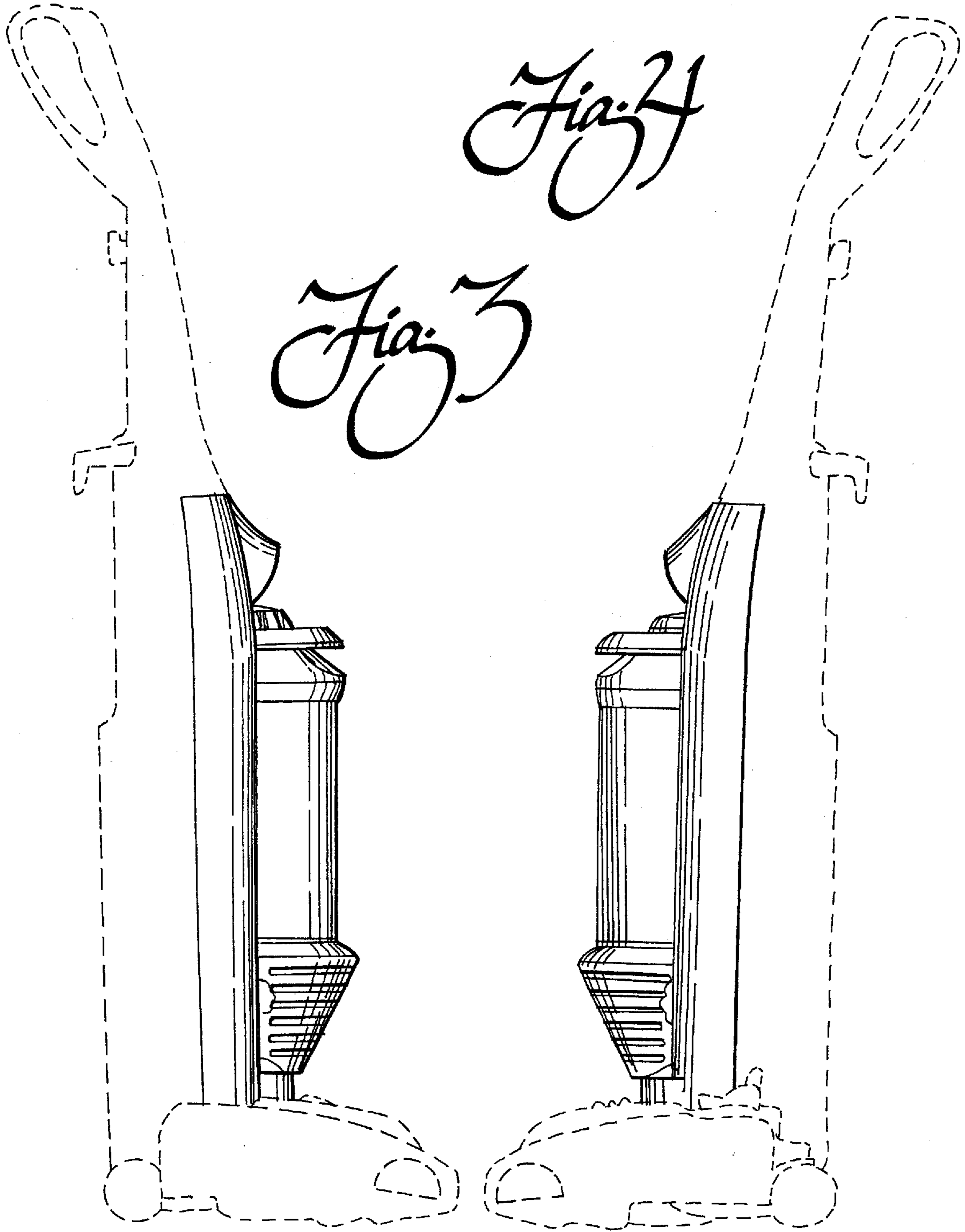
**1 Claim, 4 Drawing Sheets**

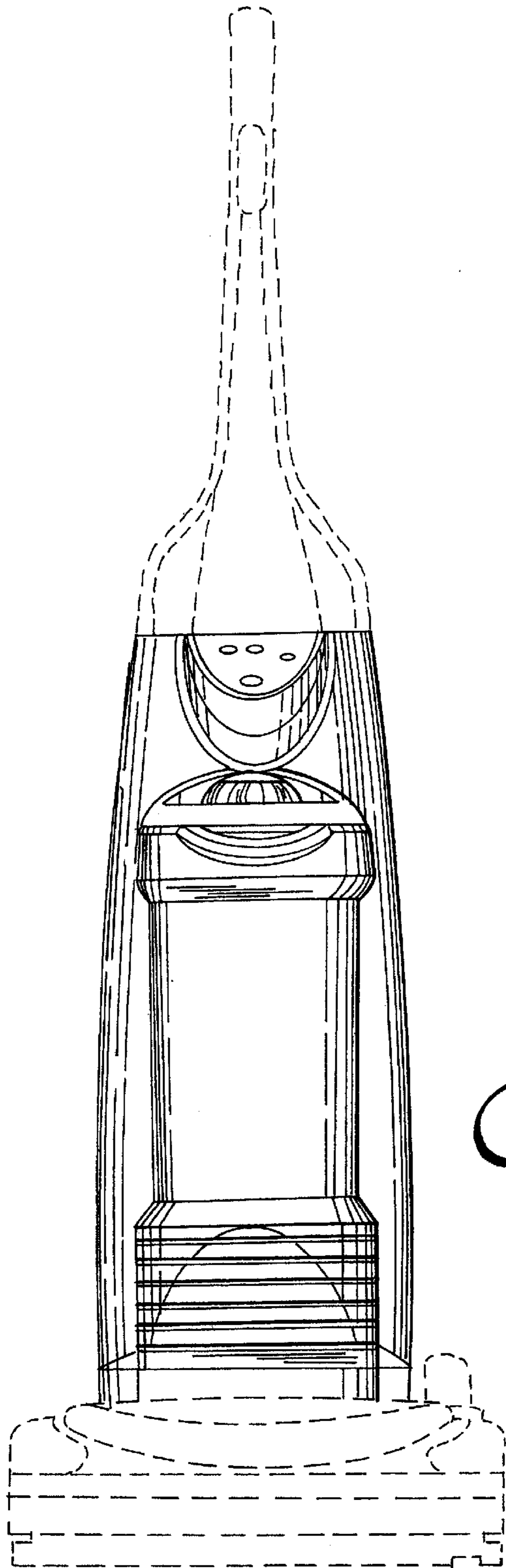




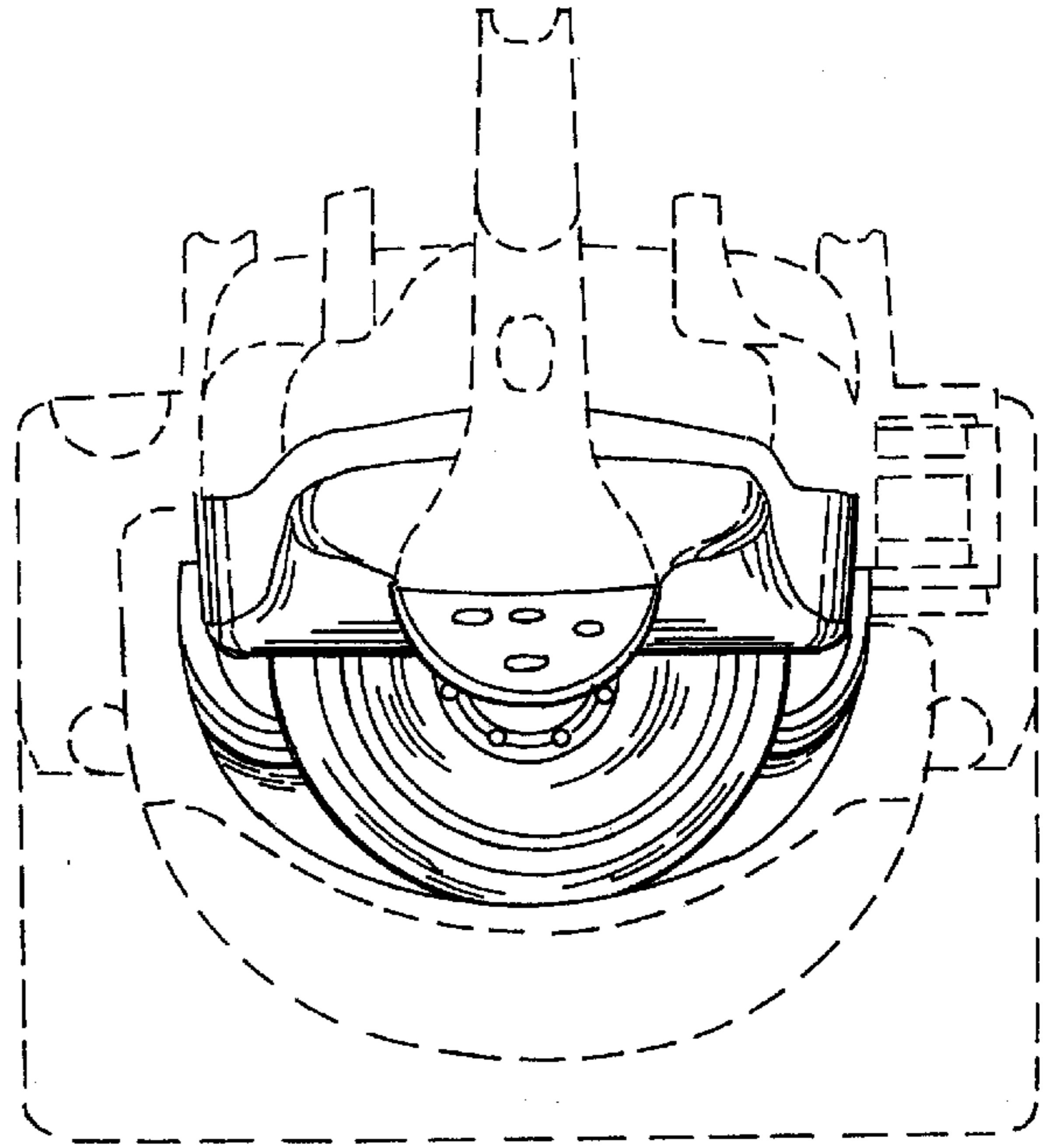


*Fig. 2*





*Fig. 5*



*Fig. 6*