



US00D444274S

(12) **United States Design Patent**
Griffin

(10) **Patent No.:** **US D444,274 S**

(45) **Date of Patent:** **** Jun. 26, 2001**

(54) **BLOWER**

(75) Inventor: **John Griffin**, Phoenix, AZ (US)

(73) Assignee: **Shop Vac Corporation**, Williamsport, PA (US)

(**) Term: **14 Years**

(21) Appl. No.: **29/115,797**

(22) Filed: **Dec. 20, 1999**

(51) **LOC (7) Cl.** **15-05**

(52) **U.S. Cl.** **D32/15**

(58) **Field of Search** D32/1, 15, 17,
D32/18-19, 21, 25, 32, 34; 18/344, 405;
D23/213

4,836,753 6/1989 Berfield et al. 417/236
 4,880,364 11/1989 Berfield et al. 417/423.1
 5,144,716 9/1992 Watanabe et al. 15/323
 5,606,769 3/1997 Tomasiak et al. 15/327.6

* cited by examiner

Primary Examiner—Louis S. Zarfes
Assistant Examiner—Robert A. Delehanty
 (74) *Attorney, Agent, or Firm*—Marshall, O’Toole,
 Gerstein, Murray & Borun

(57) **CLAIM**

The ornamental design for a “blower”, as shown and described.

DESCRIPTION

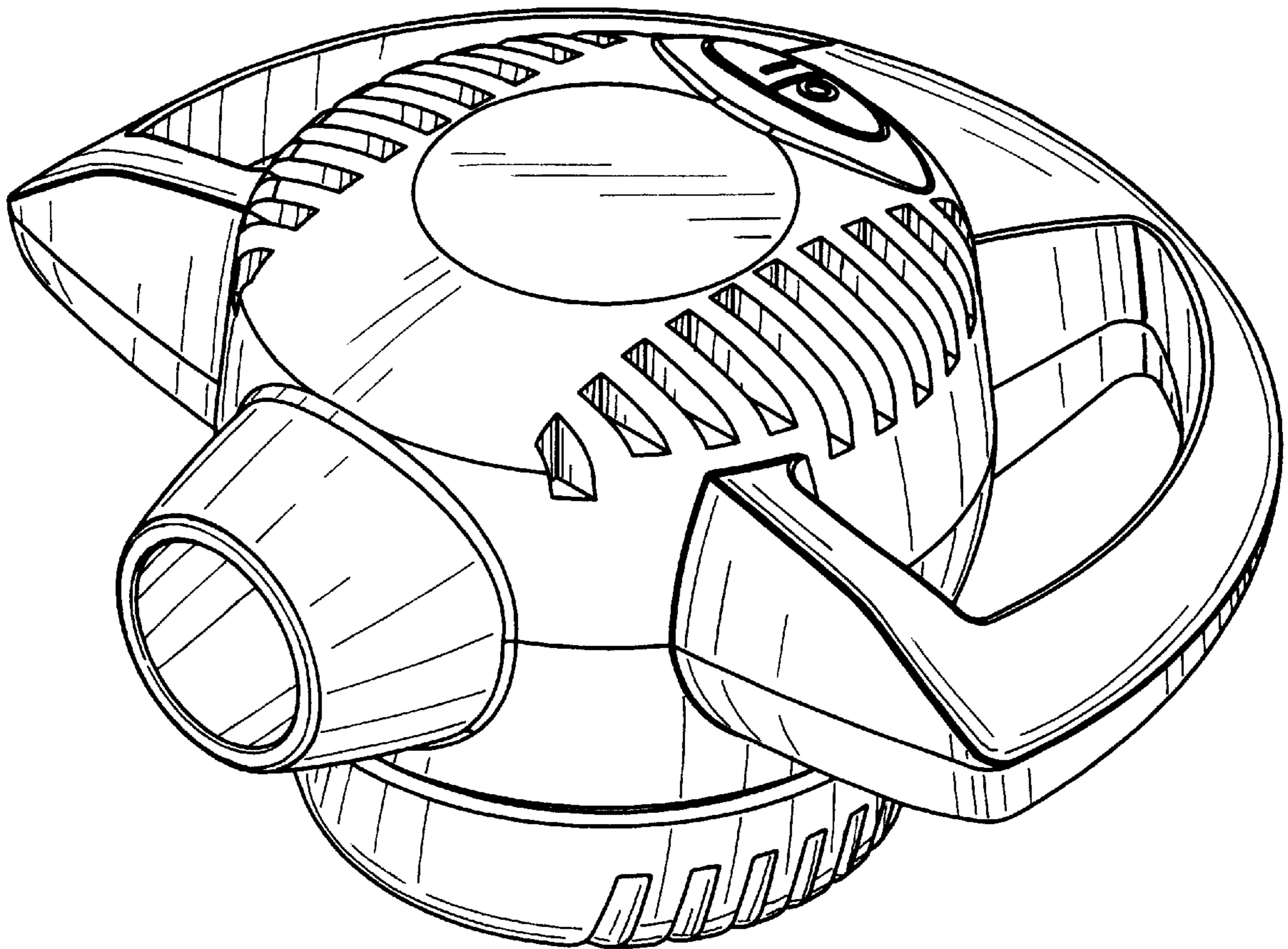
FIG. 1 is a right side perspective view taken from the front and above showing my new design;
 FIG. 2 is a front elevational view thereof;
 FIG. 3 is a right elevational view, the left elevational view being a mirror image thereof;
 FIG. 4 is a rear elevational view thereof;
 FIG. 5 is a plan view thereof; and,
 FIG. 6 is a bottom view thereof.

(56) **References Cited**

U.S. PATENT DOCUMENTS

D. 325,452 * 4/1992 Gefter D32/21
 D. 378,152 * 2/1997 deBlois et al. D32/21
 D. 418,264 * 12/1999 Rees D32/19
 2,920,337 1/1960 Smith 25/323
 4,404,706 9/1983 Loyd 15/344
 4,797,072 1/1989 Berfield et al. 417/423.3

1 Claim, 6 Drawing Sheets



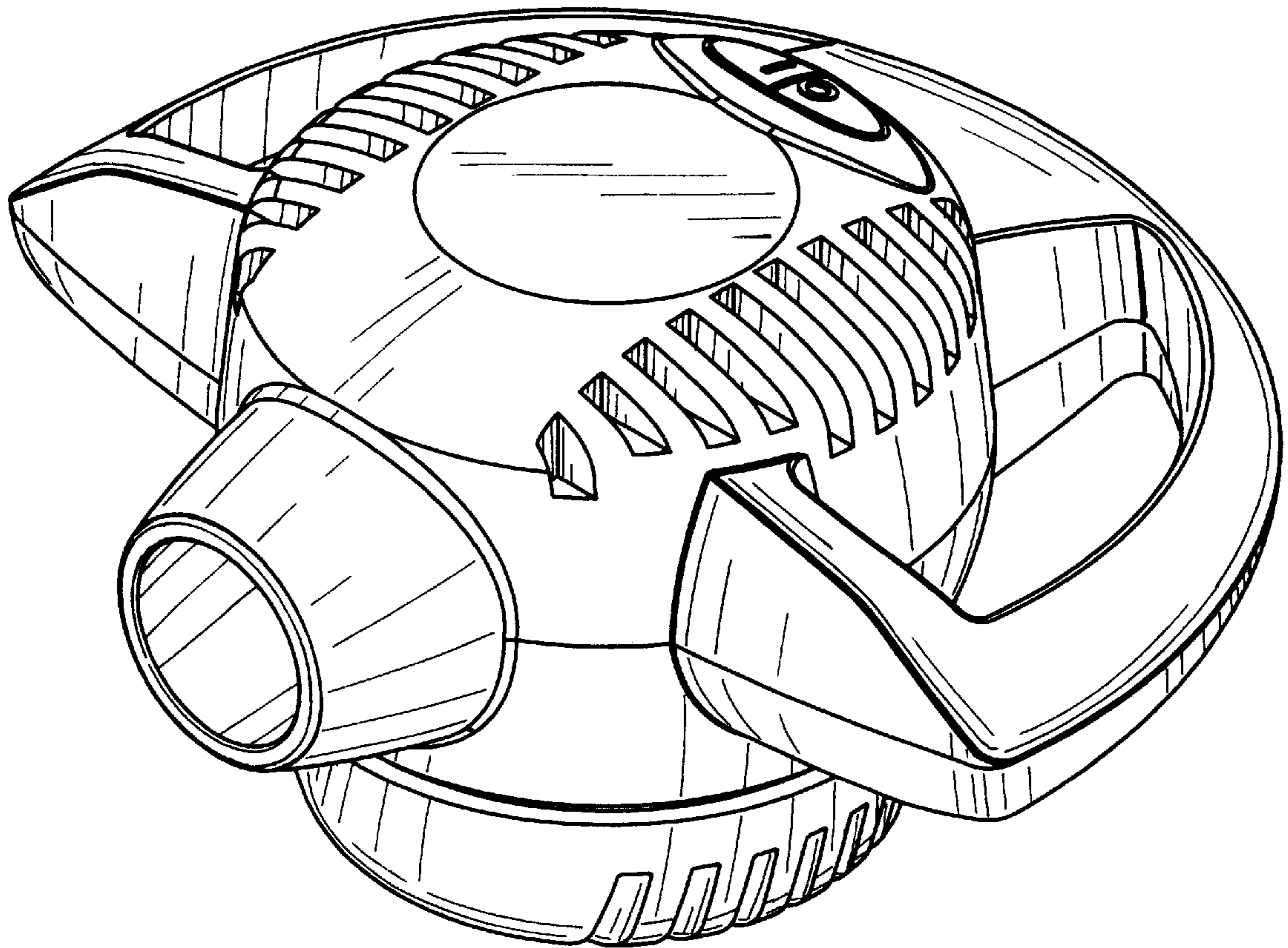


FIG. 1

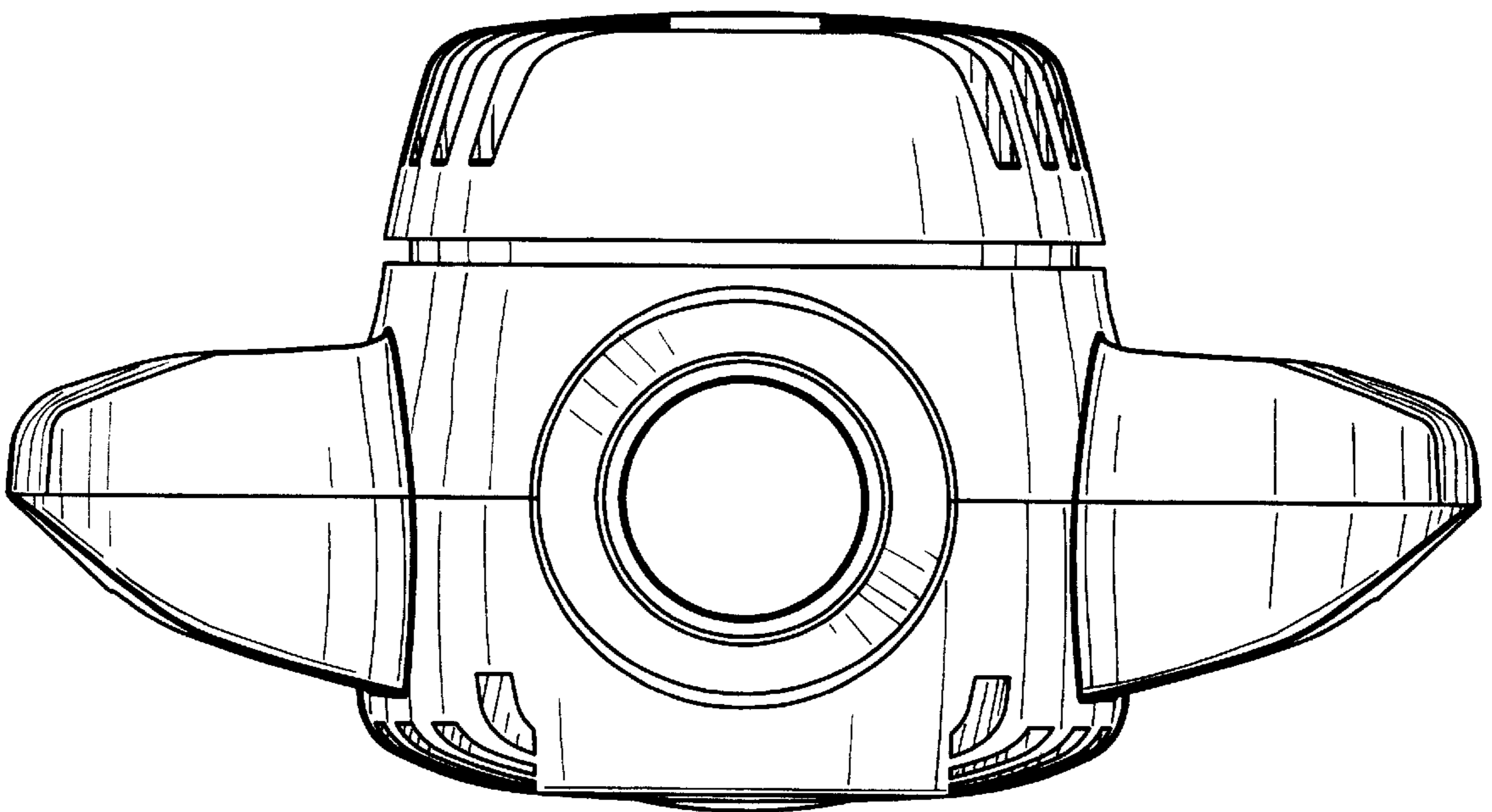


FIG. 2

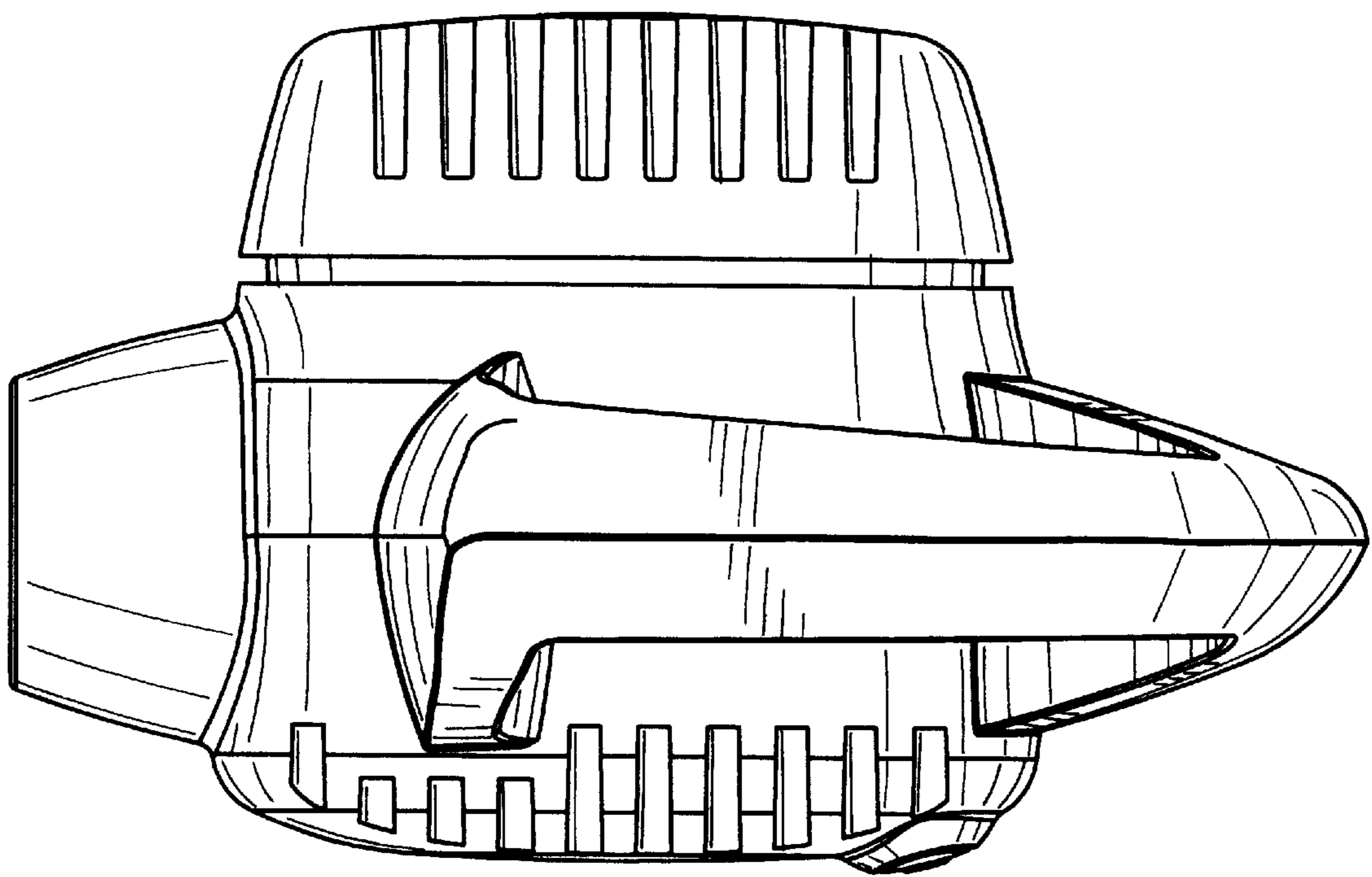


FIG. 3

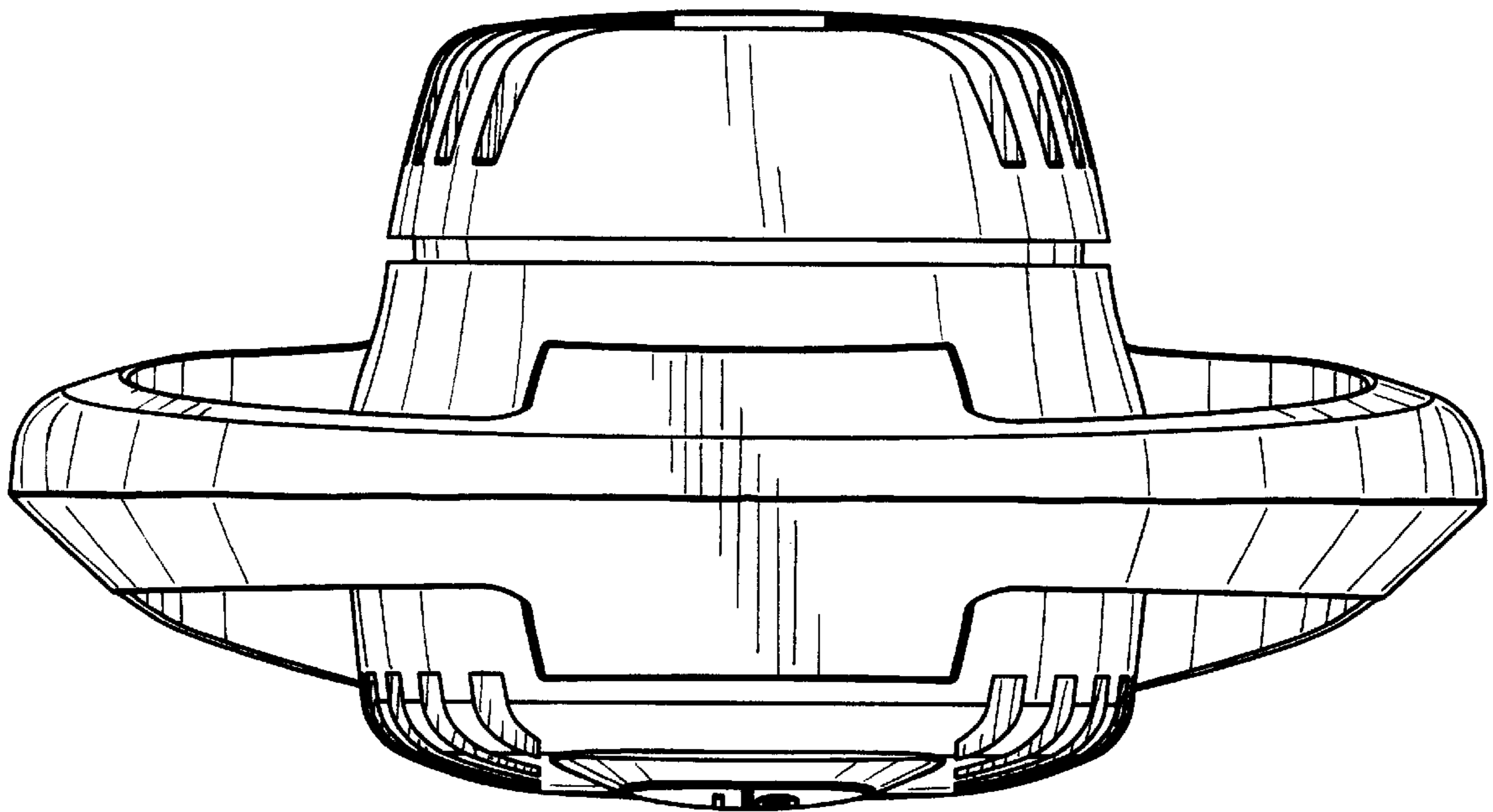


FIG. 4

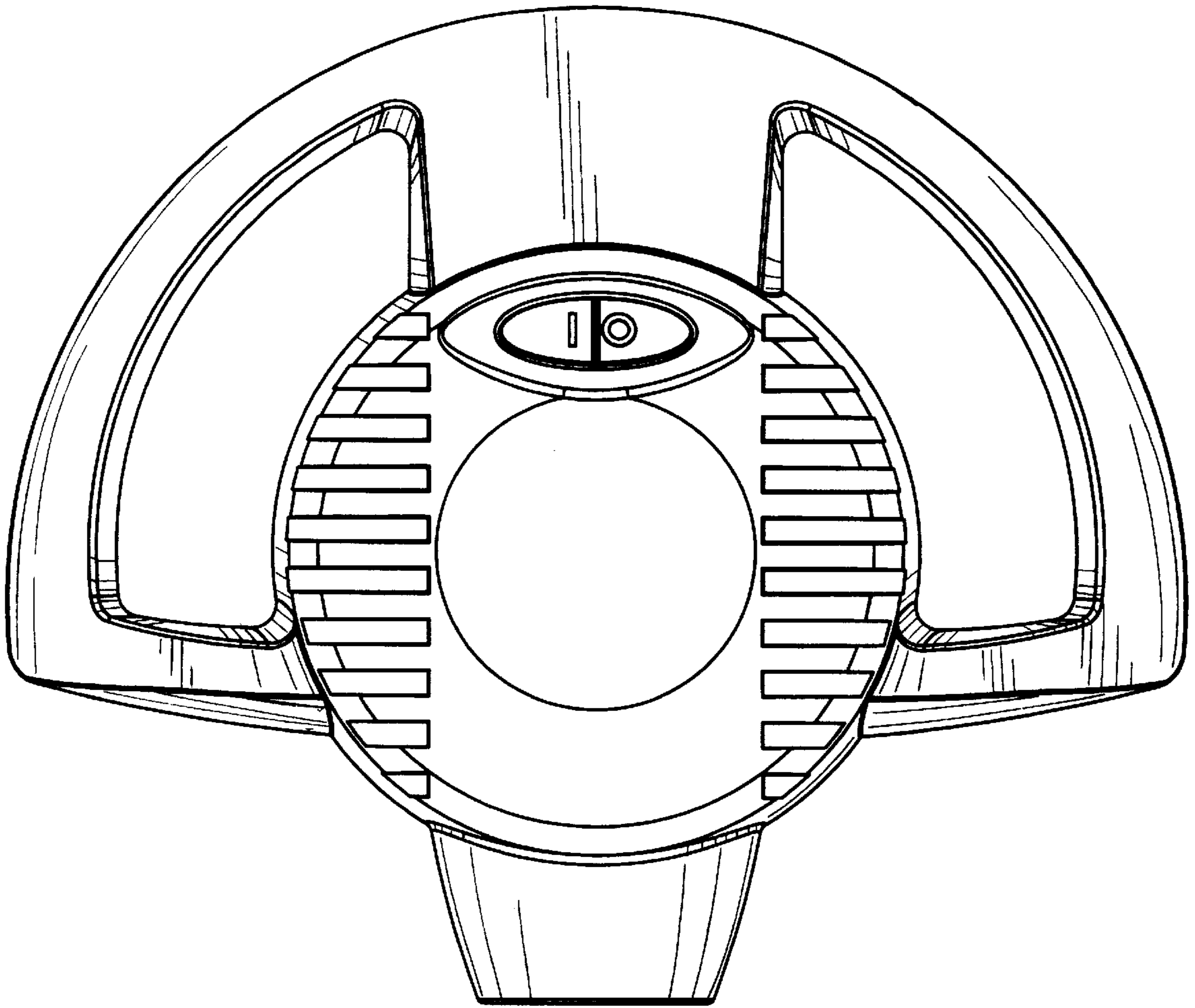


FIG. 5

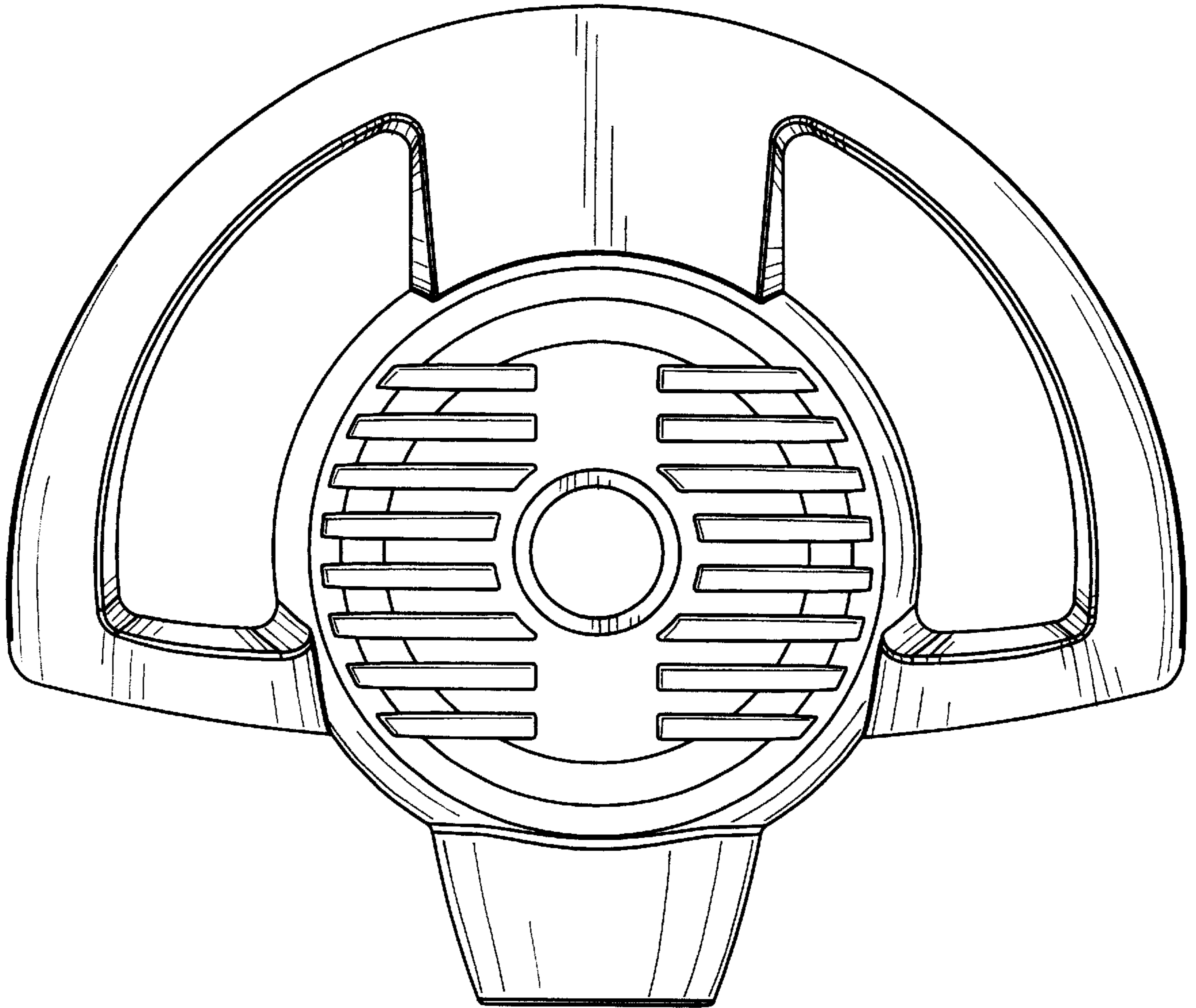


FIG. 6