



US00D444270S

(12) **United States Design Patent**
Tsujino

(10) **Patent No.:** **US D444,270 S**

(45) **Date of Patent:** **** Jun. 26, 2001**

(54) **WRESTLING EAR GUARD**

(75) Inventor: **Kanzo Tsujino**, Orange, CA (US)

(73) Assignee: **ASICS Corp.**, Kobe (JP)

(**) Term: **14 Years**

(21) Appl. No.: **29/133,797**

(22) Filed: **Dec. 6, 2000**

(51) **LOC (7) Cl.** **29-02**

(52) **U.S. Cl.** **D29/112; D29/106**

(58) **Field of Search** **D29/102, 105-106,**
D29/108, 112; 2/423, 425, 209, 410-411,
413, 421, 455; 181/129; 128/866-867;
351/123, 158; 381/370; 455/347, 568; 403/331

4,279,037	*	7/1981	Morgan	2/421
4,287,613		9/1981	Schulz	.
4,516,274		5/1985	Buckland	.
4,551,861		11/1985	Marchello	.
4,612,672		9/1986	Schrack	.
4,670,911		6/1987	Dunford	.
4,706,305		11/1987	Cho	.
4,710,985		12/1987	Dubner	.
4,821,345	*	4/1989	Marchello	2/425
4,853,980		8/1989	Zarotti	.
4,862,563		9/1989	Flynn	.
5,228,143		7/1993	Marchello	.
5,361,420		11/1994	Dobbs	.
5,500,951		3/1996	Marchello	.
5,504,945	*	4/1996	Purnell	2/425
5,685,021	*	11/1997	Tsujino	2/425
5,790,988	*	8/1998	Guadagnino, Jr. et al.	2/411
5,881,393	*	3/1999	Marchello	2/425
6,058,516		5/2000	Purnell	.

(56) **References Cited**

U.S. PATENT DOCUMENTS

D. 221,724	9/1971	Douglas	.
243,168	6/1881	Spitz	.
D. 263,091	* 2/1982	Booth	D29/106
D. 267,286	12/1982	Anderie	.
280,005	6/1883	Beard et al.	.
D. 315,812	* 3/1991	Cionni	D29/112
D. 384,774	10/1997	Tsujino	.
D. 429,035	8/2000	Purnell	.
863,315	8/1907	Pierce	.
1,066,511	7/1913	Markoff	.
1,651,650	12/1927	Walsh	.
2,021,144	11/1935	Beck	.
2,277,994	3/1942	Roberts	.
2,802,214	8/1957	Hanks	.
2,886,818	5/1959	Roberts	.
2,898,596	8/1959	Keen	.
3,311,921	4/1967	Helm	.
3,327,316	6/1967	Pukish, Jr.	.
3,513,482	5/1970	Holden	.
3,541,611	11/1970	Beguin	.
3,594,815	7/1971	Reese	.
3,596,288	8/1971	Marchello	.
3,628,191	12/1971	Douglas	.
3,778,844	12/1973	Hori et al.	.
4,023,213	5/1977	Rovani	.

OTHER PUBLICATIONS

Brute, The Strongest Name in Wrestling, 1992 Catalog (2 pages).

* cited by examiner

Primary Examiner—Ruth McInroy
(74) *Attorney, Agent, or Firm*—Michael Zall

(57) **CLAIM**

I claim the ornamental design for a wrestling ear guard, as shown and described.

DESCRIPTION

FIG. 1 is a front elevational view of a wrestling ear guard showing our new design;
FIG. 2 is a rear elevational view thereof;
FIG. 3 is a top plan view thereof;
FIG. 4 is a bottom plan view thereof;
FIG. 5 is a right side view thereof; and,
FIG. 6 is a left side view thereof.
The crosshatch shading shown in FIGS. 1-6 is understood to repeat throughout the indicated area.

1 Claim, 6 Drawing Sheets

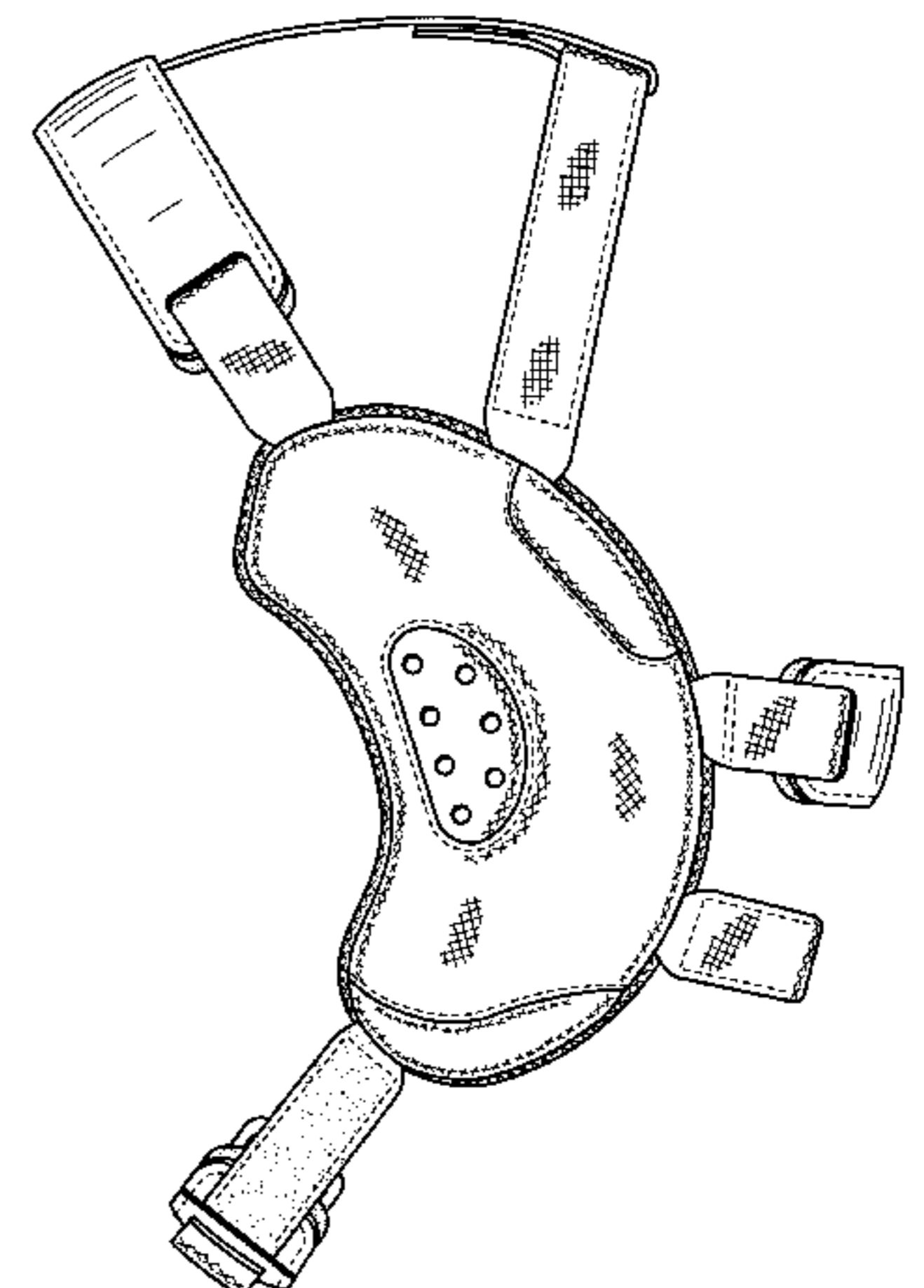
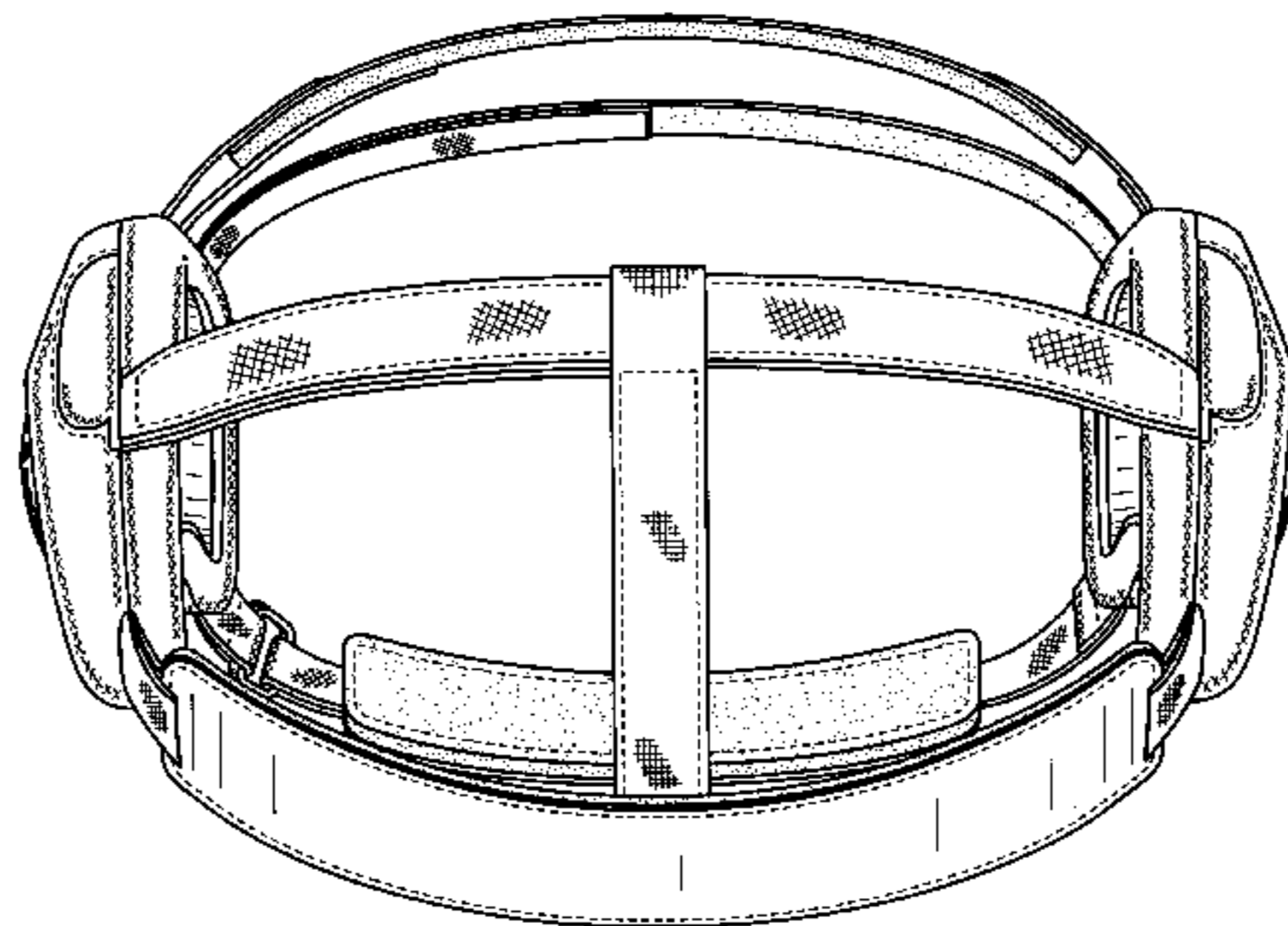
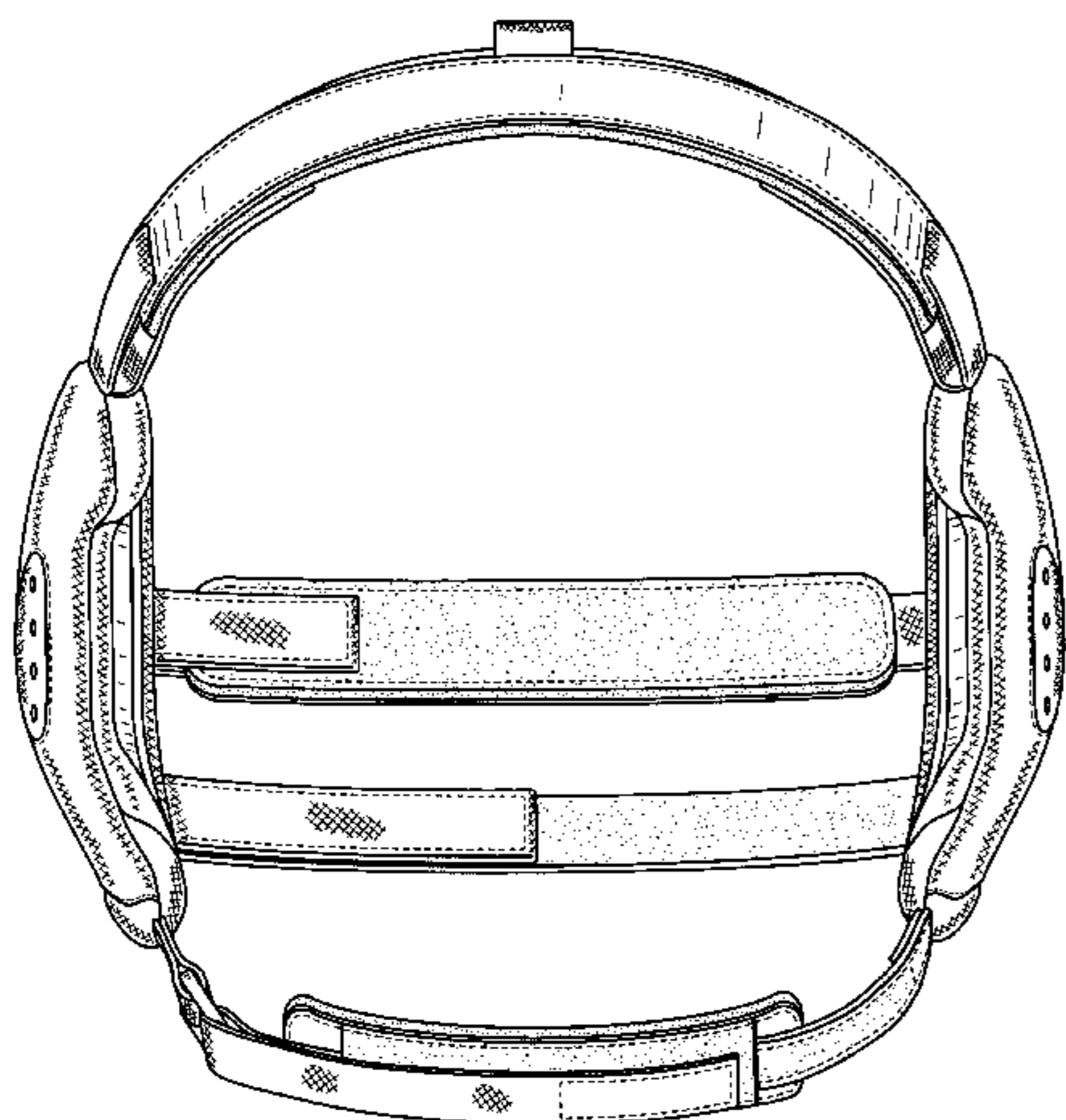


FIG. 1

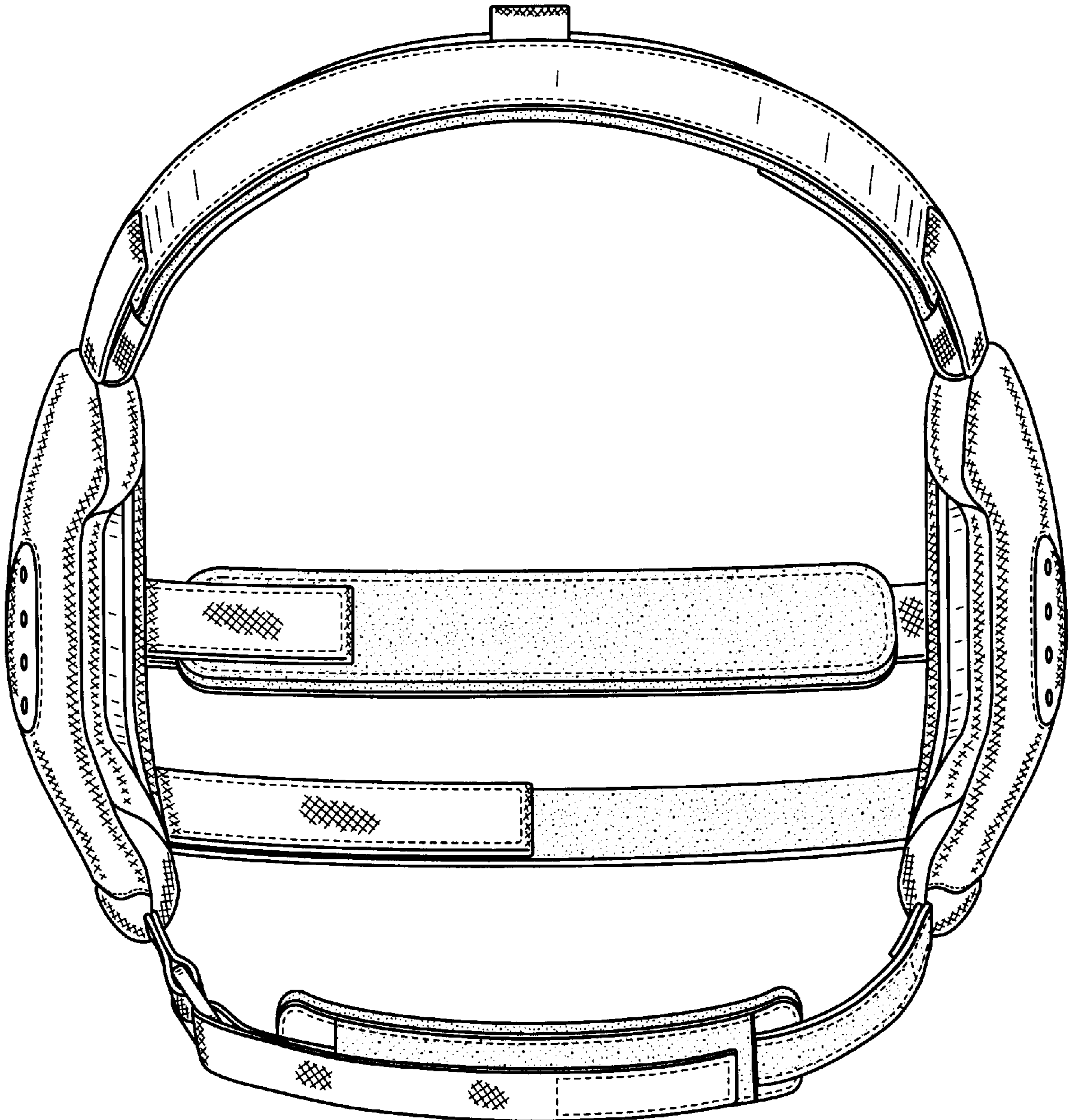


FIG. 2

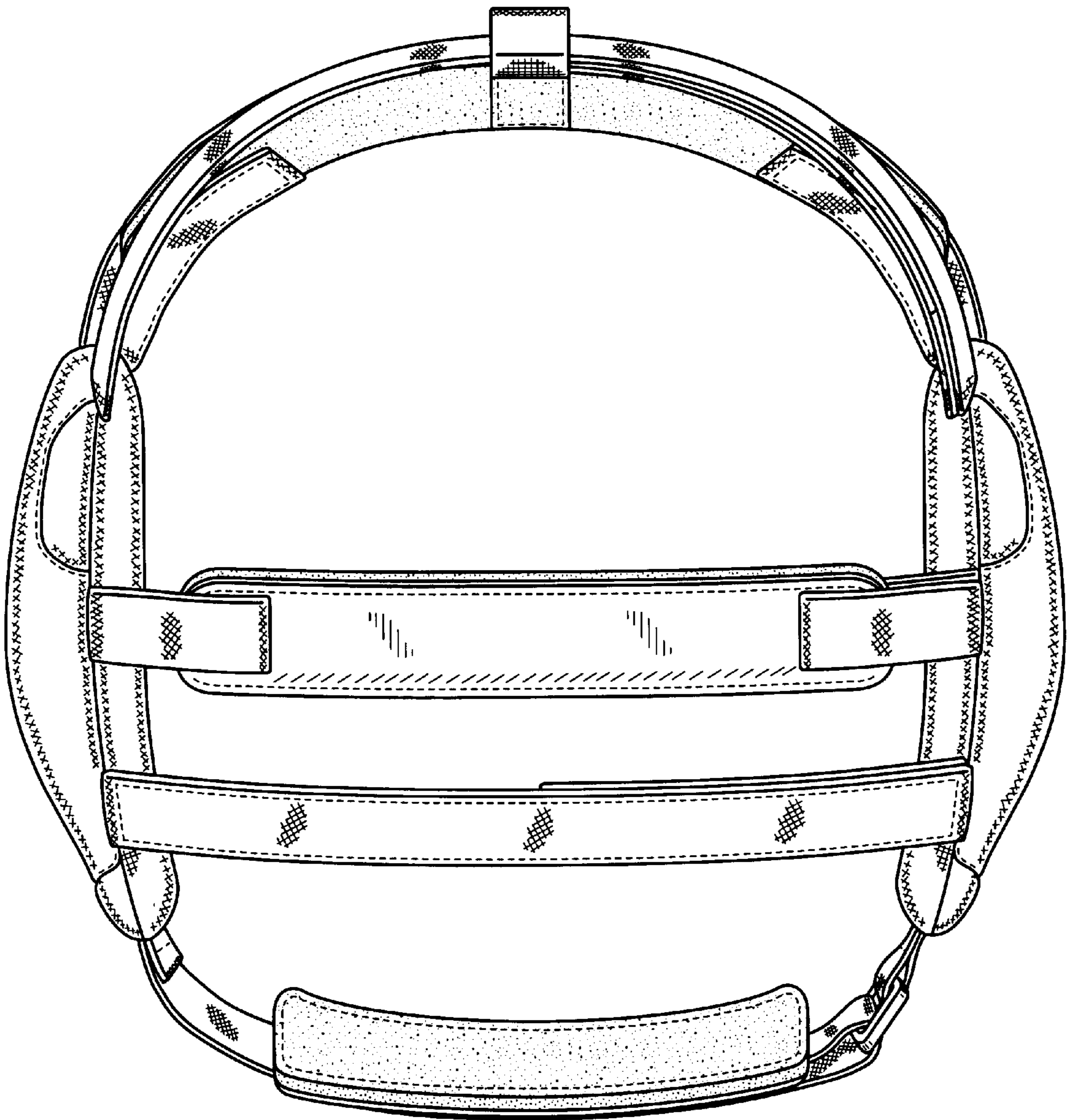


FIG. 3

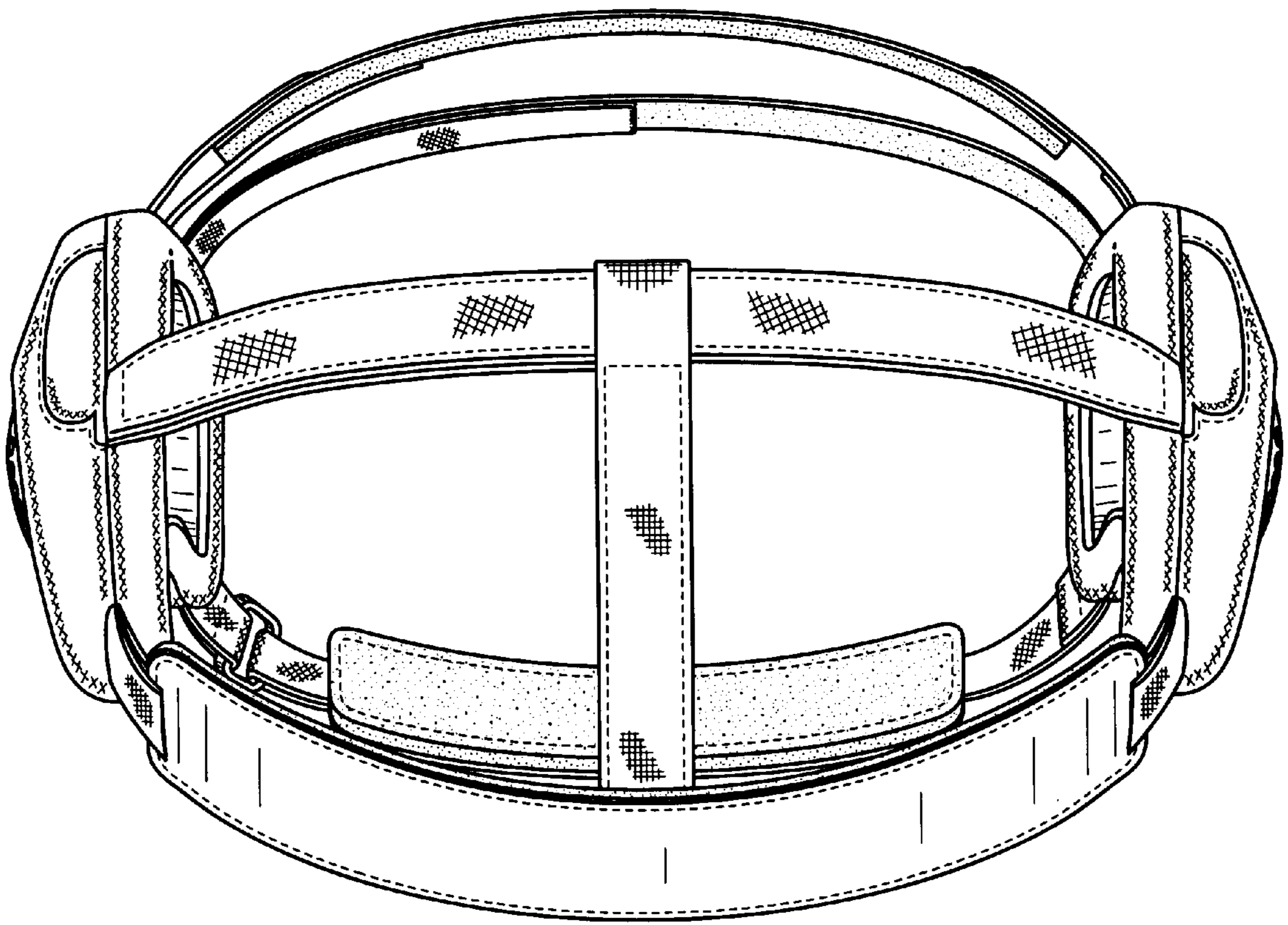


FIG. 4

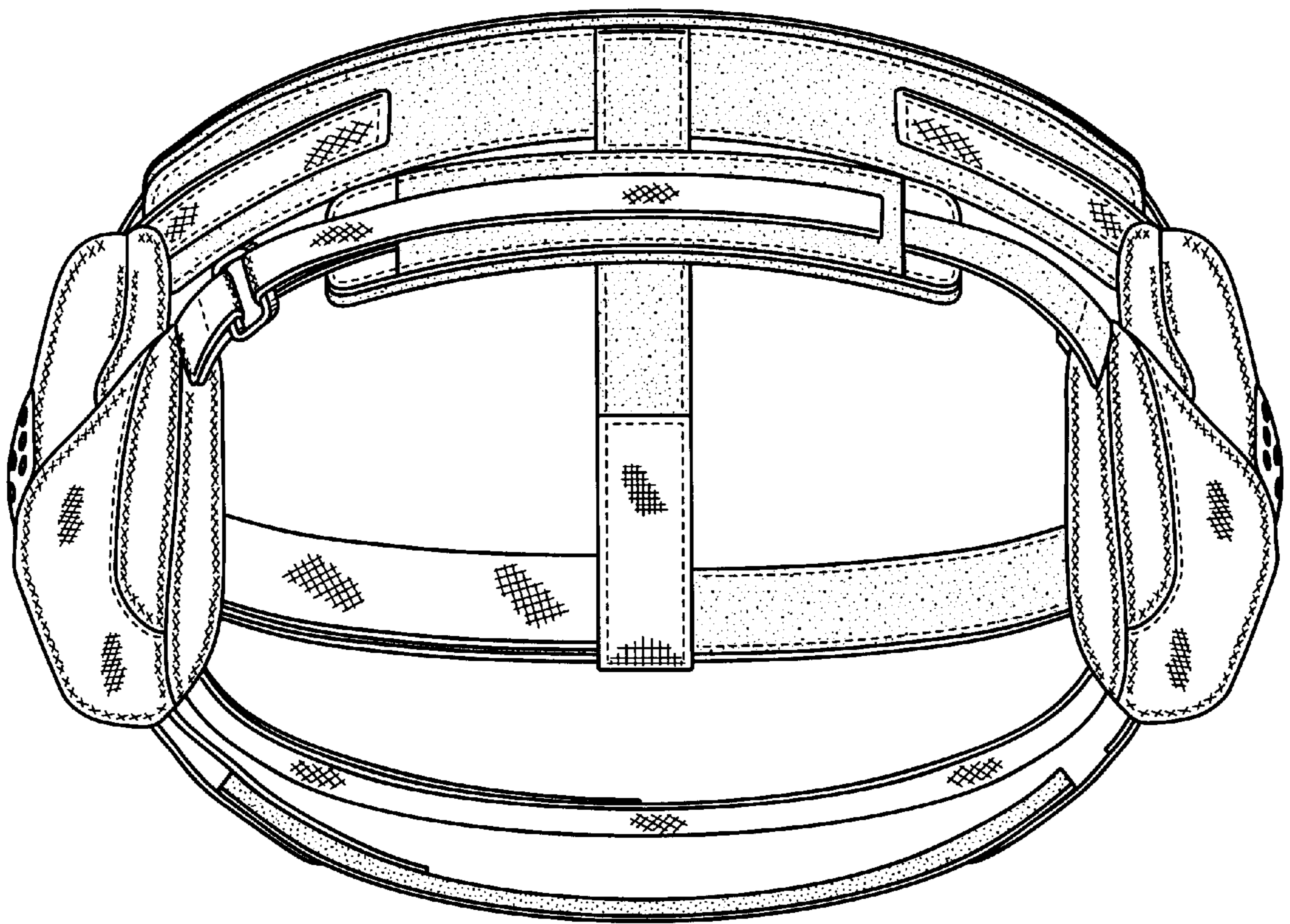


FIG. 5

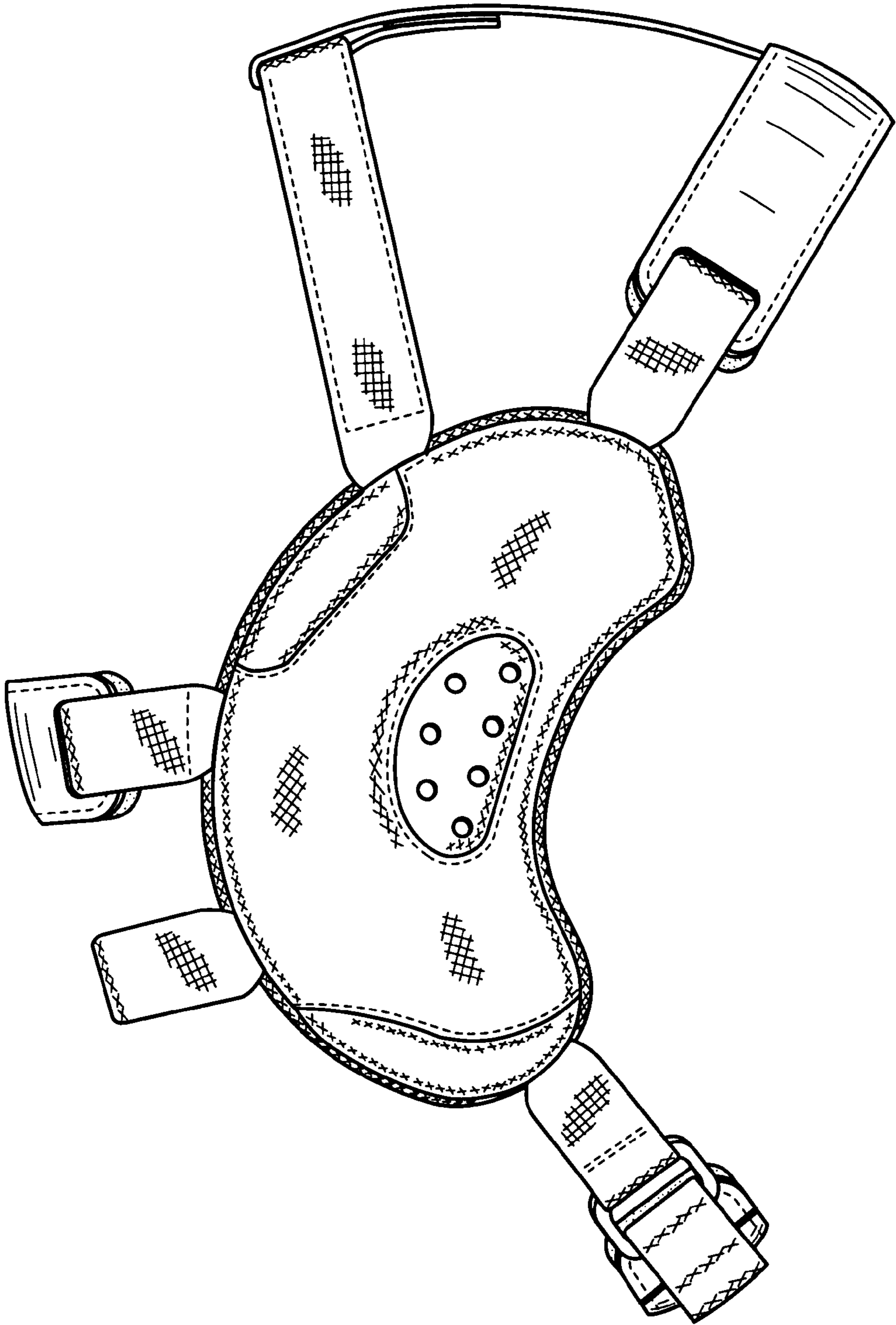


FIG. 6

