



US00D444266S

(12) **United States Design Patent**
Hirata

(10) **Patent No.:** **US D444,266 S**

(45) **Date of Patent:** **** Jun. 26, 2001**

(54) **HAIR IRON**

(75) Inventor: **Yoshihiro Hirata**, Kyoto (JP)

(73) Assignee: **Phild Co., LTD**, Kyoto Pref. (JP)

(**) Term: **14 Years**

(21) Appl. No.: **29/104,811**

(22) Filed: **May 12, 1999**

(51) **LOC (7) Cl.** **28-03**

(52) **U.S. Cl.** **D28/35**

(58) **Field of Search** D28/10, 35; 132/223-269,
132/271; 219/222, 225

(56) **References Cited**

U.S. PATENT DOCUMENTS

D. 93,755	*	11/1934	Arnold	D28/11
105,822	*	7/1870	Matteson	132/225
D. 253,973	*	1/1980	Rosse	D28/35
D. 411,333	*	6/1999	Smal	D28/35
1,365,079	*	1/1921	Bardsley	132/132
1,472,561	*	10/1923	Haberkamp	132/269
1,610,807	*	12/1926	Morgan	132/269
1,840,696	*	1/1932	Carouso	132/229
1,932,862	*	8/1933	Frederics	219/225
4,024,375	*	5/1977	Olesen et al.	219/225
4,242,567	*	12/1980	Carter	219/225
5,934,293	*	8/1999	Kaizuka	132/225

FOREIGN PATENT DOCUMENTS

119066	*	10/1944	(AU)	132/223
--------	---	---------	------	-------	---------

OTHER PUBLICATIONS

Evans Gift Guide 1991/92, p. 220 y, item No. 9 at bottom of page.*

* cited by examiner

Primary Examiner—Mitchell Siegel

Assistant Examiner—C. Tuttle

(74) *Attorney, Agent, or Firm*—Bruce A. Jagger

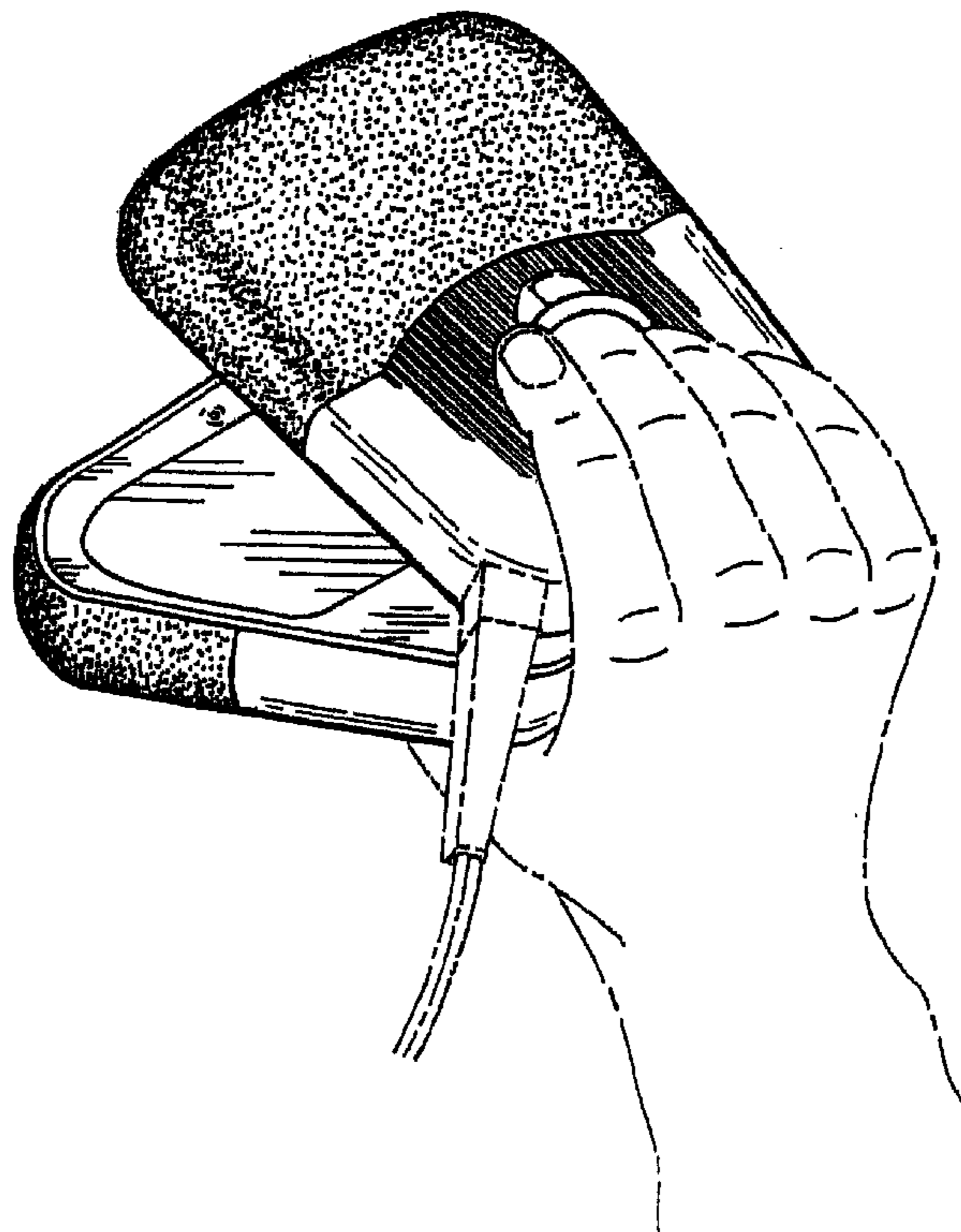
(57) **CLAIM**

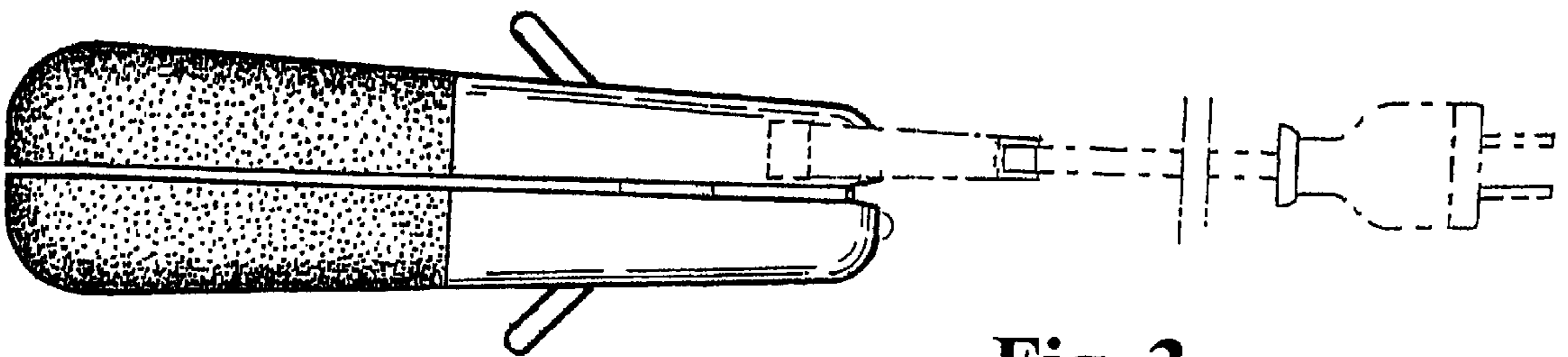
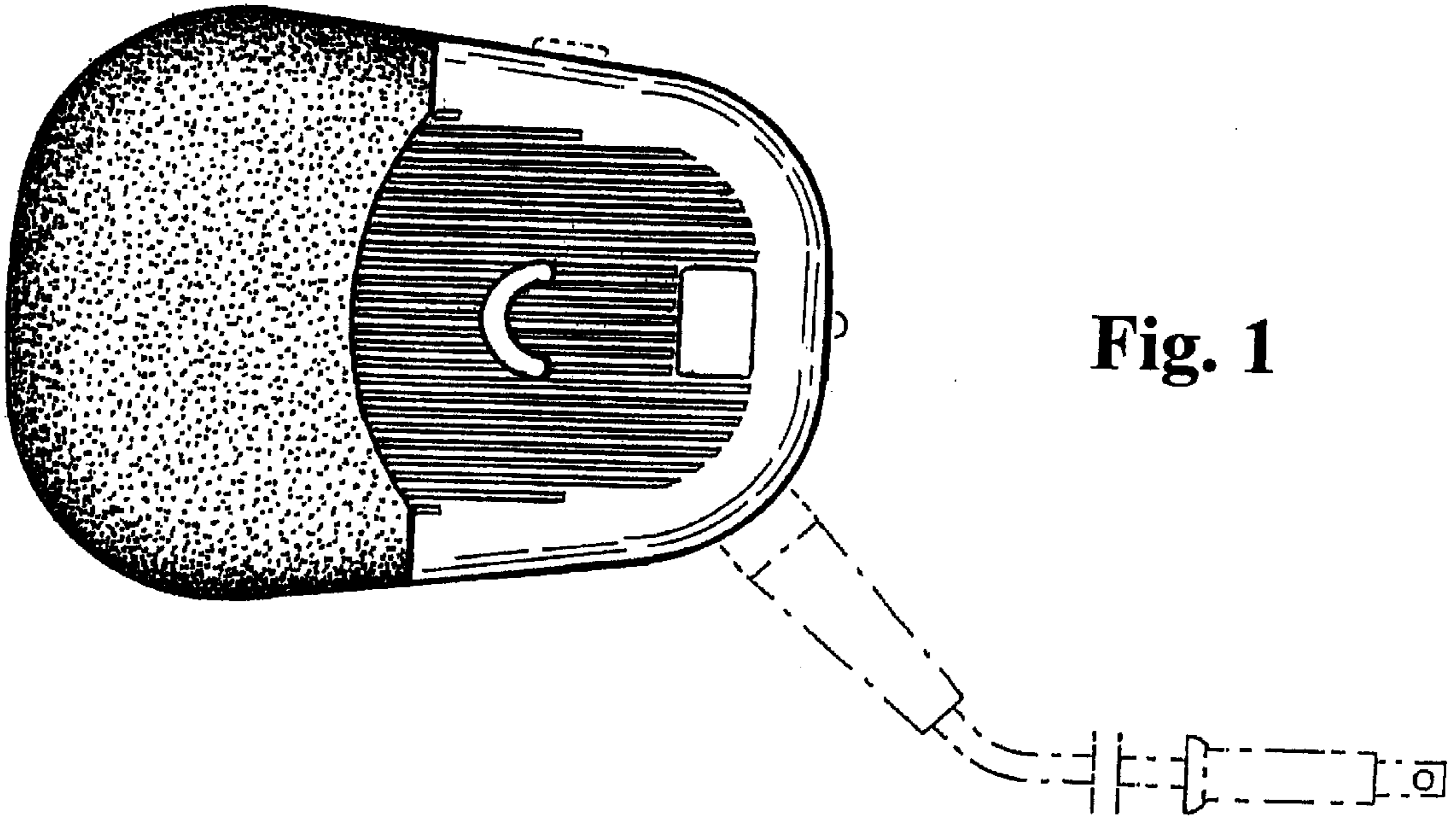
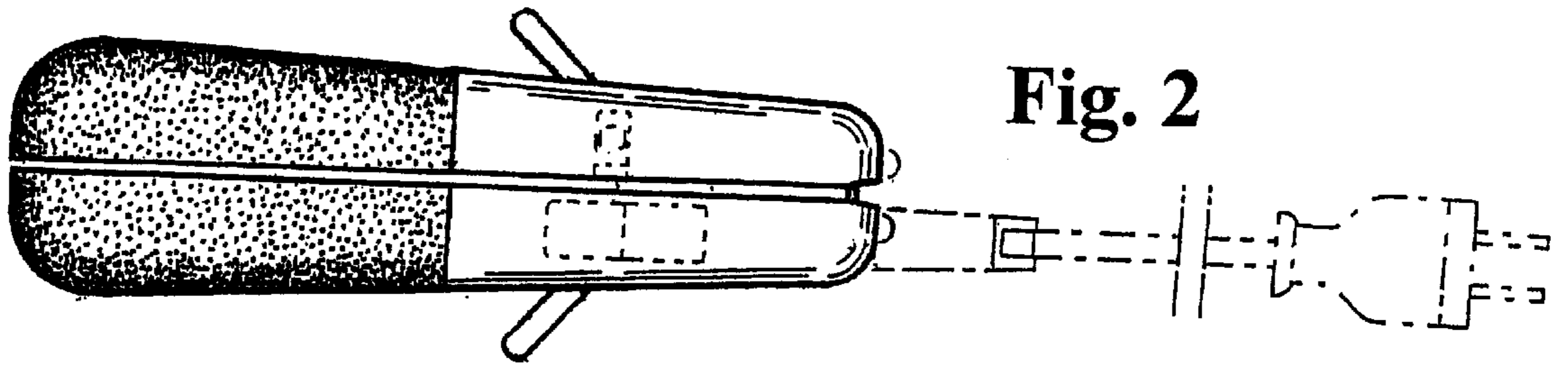
The ornamental design for a hair iron, as shown and described.

DESCRIPTION

FIG. 1 is a top view of a hair iron showing my new design; FIG. 2 is a back view thereof; FIG. 3 is a front view thereof; FIG. 4 is left side view thereof; FIG. 5 is a right side view thereof; FIG. 6 is a bottom view thereof; FIG. 7 is a back view of the hair iron in an open position. FIG. 8 is a perspective view showing the design in use and in an open position; and, FIG. 9 is a sectional view taken along lines 9—9 of FIG. 7. The broken lines immediately adjacent the shaded areas on the back, right side and interior surfaces in FIGS. 1 through 9 define the bounds of the claimed design; all other broken lines are for illustrative purposes only. None of the broken lines form a part of the claim.

1 Claim, 4 Drawing Sheets





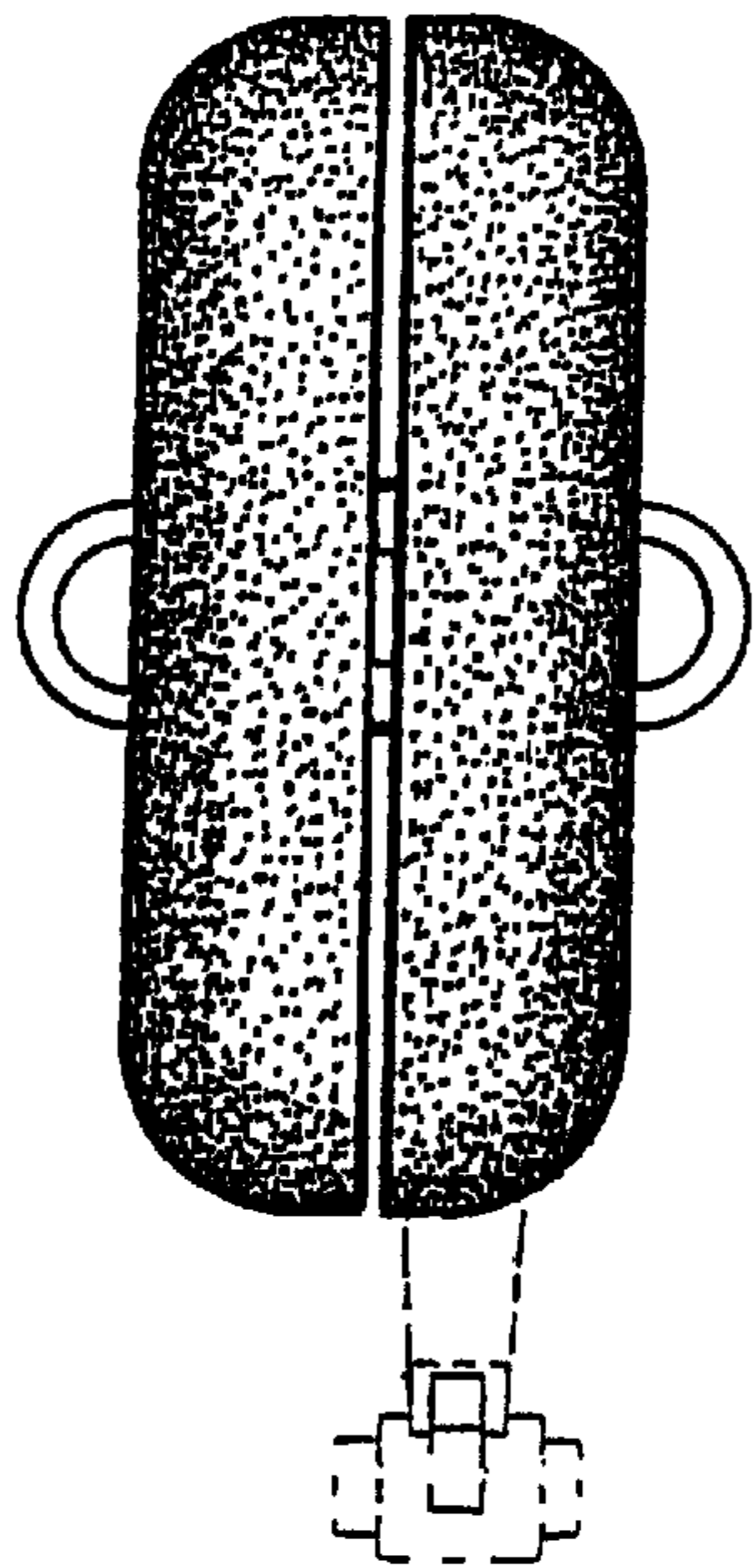


Fig. 4

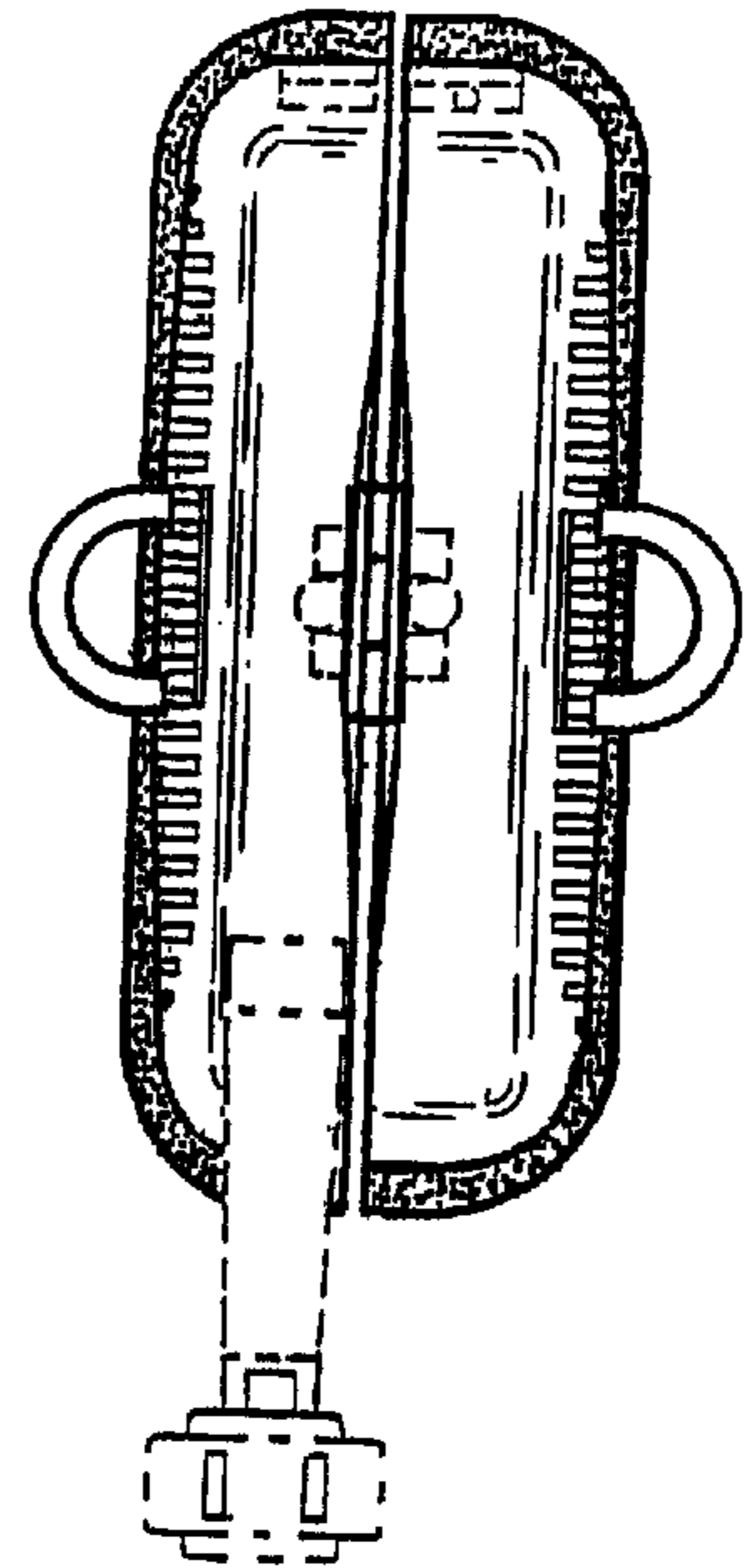


Fig. 5

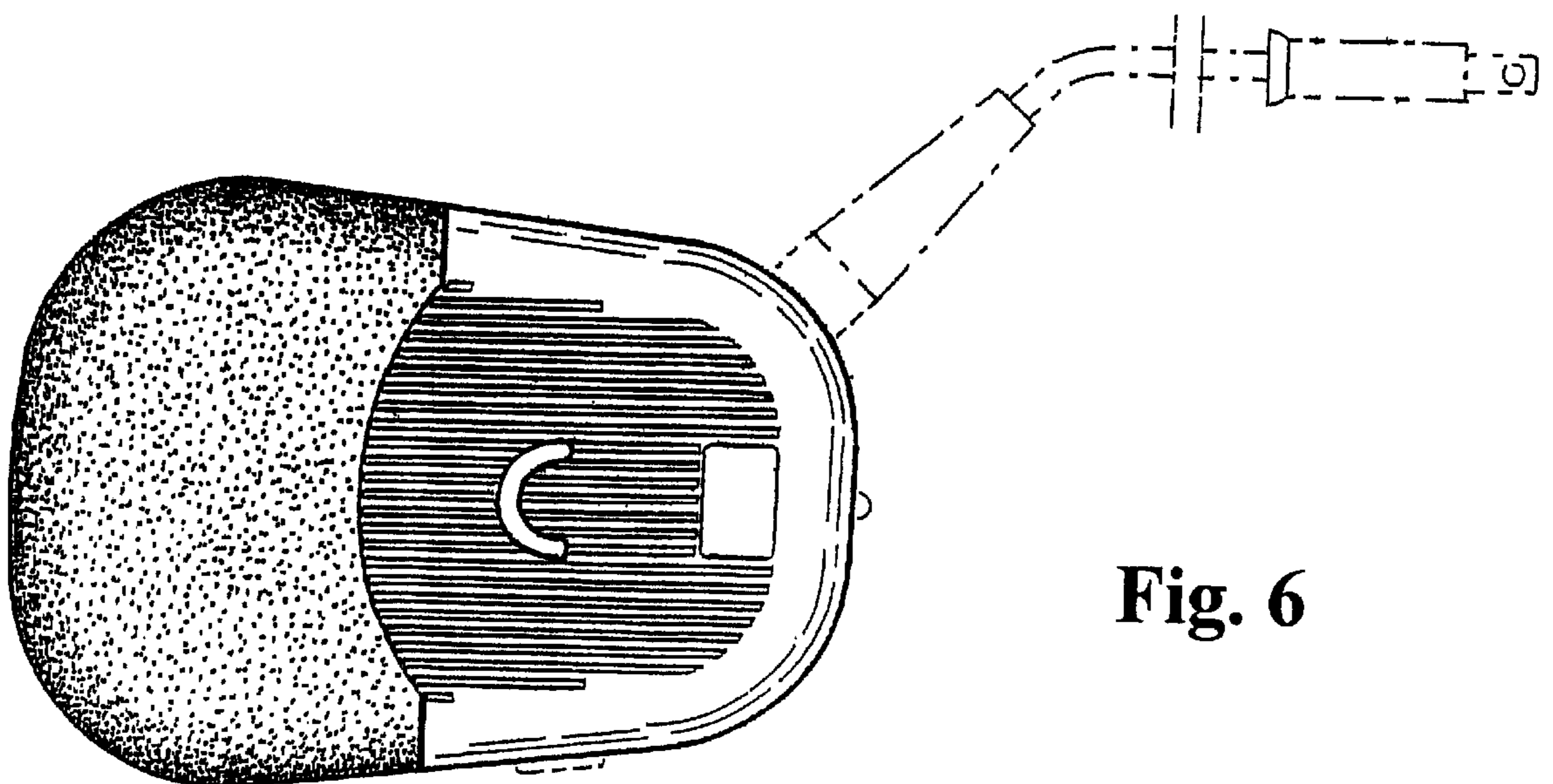
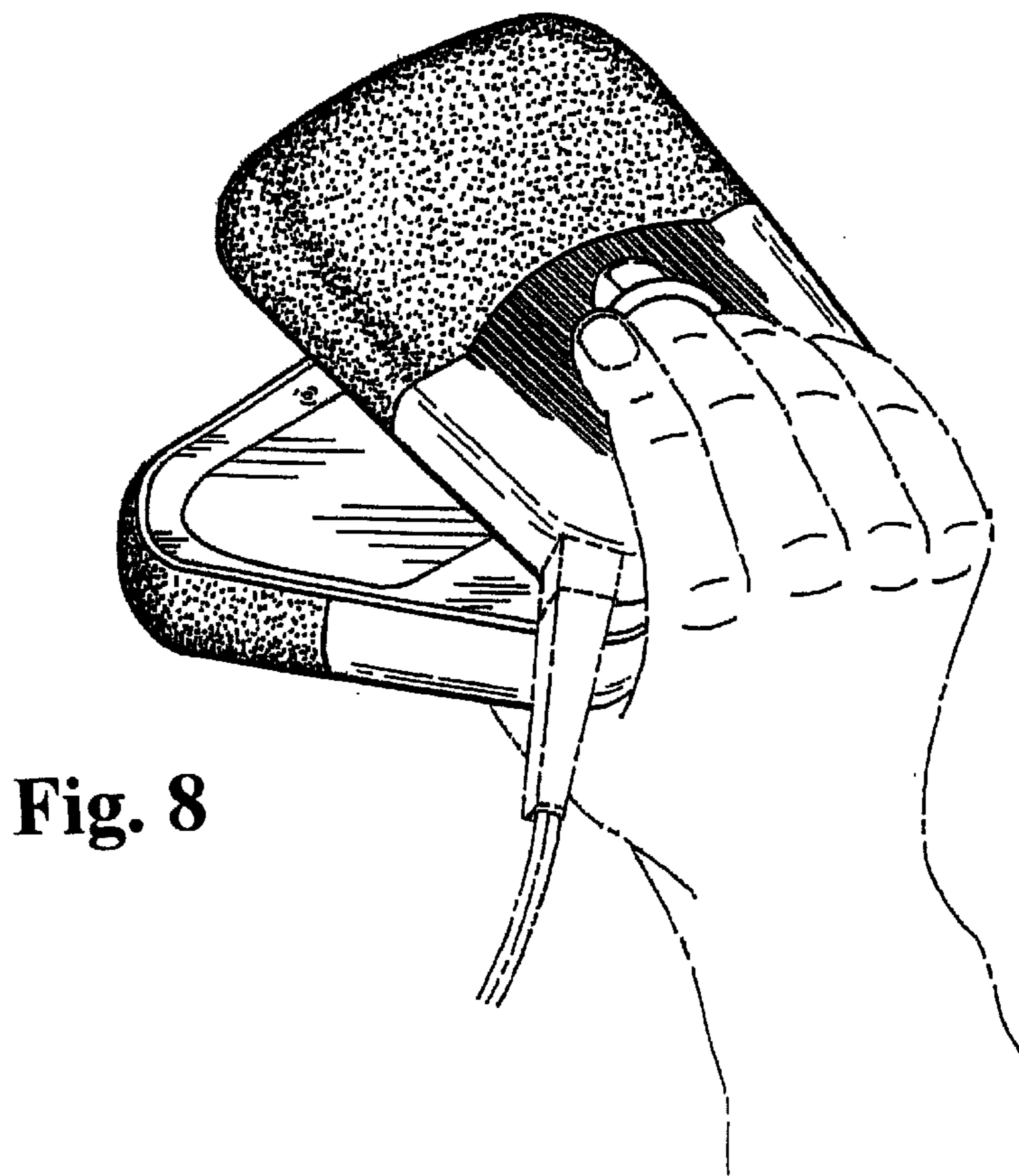
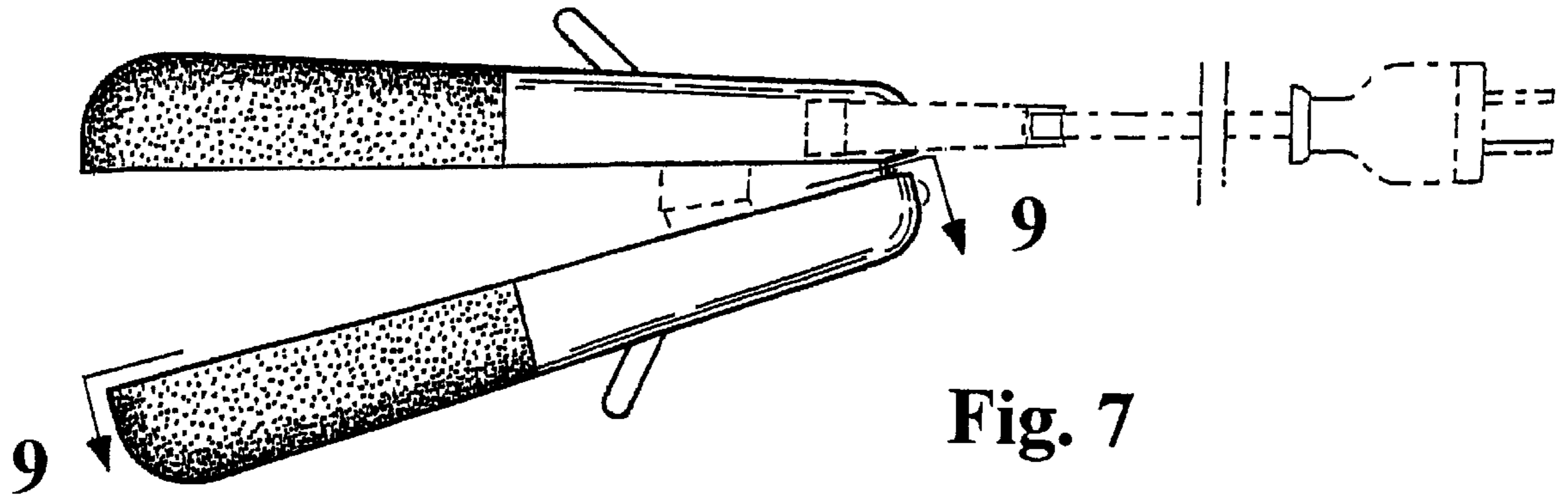


Fig. 6



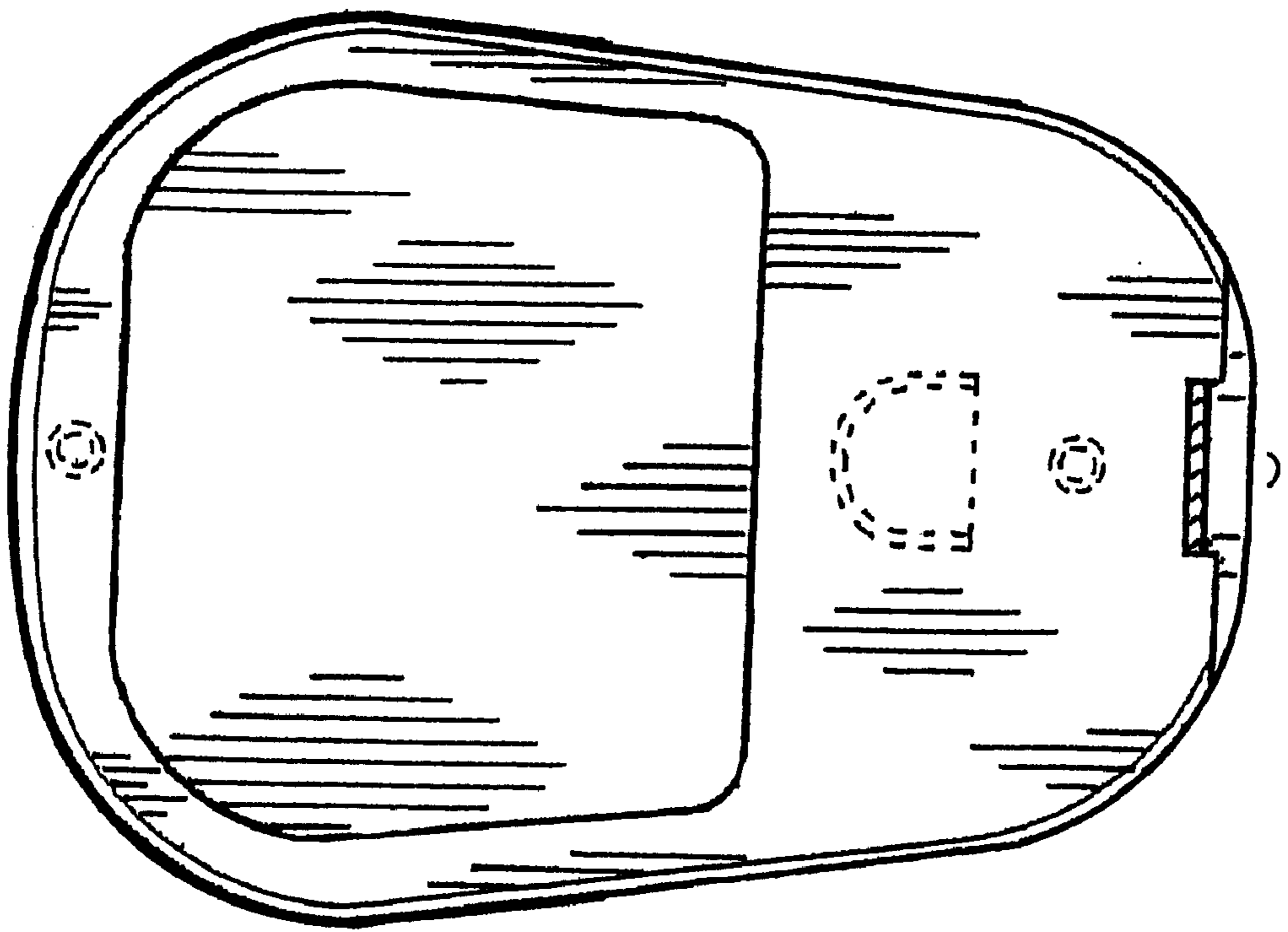


Fig. 9