



US00D444262S

(12) **United States Design Patent**
Eberlein et al.

(10) **Patent No.: US D444,262 S**

(45) **Date of Patent: ** Jun. 26, 2001**

(54) **TASK LIGHT**

(75) Inventors: **David C. Eberlein**, Hudsonville;
Douglas D. Buyce, Kentwood; **Michael W. Welsh**, Rockford; **Jonathan J. King**, East Grand Rapids; **Michael C. Andrusiak**, Middleville; **Royal A. Kent**, Grand Rapids, all of MI (US)

(73) Assignee: **Steelcase Development Inc.**, Grand Rapids, MI (US)

(**) Term: **14 Years**

(21) Appl. No.: **29/101,080**

(22) Filed: **Feb. 25, 1999**

(51) **LOC (7) Cl.** **26-99**

(52) **U.S. Cl.** **D26/118; D26/76**

(58) **Field of Search** D26/72, 75, 76,
D26/77, 78; 362/217, 218, 219, 220, 246,
260

(56) **References Cited**

U.S. PATENT DOCUMENTS

D. 311,589	*	10/1990	Benchimol	D26/75	X
4,519,019	*	5/1985	Hall	362/217	X
4,599,684	*	7/1986	Lee	362/217	X
4,768,140	*	8/1988	Szpur	362/346	X
5,142,459	*	8/1992	Swarans	362/217	
5,570,947	*	11/1996	Felland	362/260	X

OTHER PUBLICATIONS

Exhibit A is an article entitled "Knoll Project Profile", date unknown, but at least as early as Feb. 24, 1998.

Exhibit B is a "Garcy Panel Mount Task Light", Garcy Systems Lighting Products, date unknown, but at least as early as Feb. 24, 1998.

* cited by examiner

Primary Examiner—Susan J. Lucas

(74) *Attorney, Agent, or Firm*—Price, Heneveld, Cooper, DeWitt & Litton

(57) **CLAIM**

We claim the ornamental design for a task light, as shown and described.

DESCRIPTION

FIG. 1 is a fragmentary perspective view of a task light, showing our new design;

FIG. 2 is a fragmentary, perspective view;

FIG. 3 is a left-hand side elevational view;

FIG. 4 is a top plan view;

FIG. 5 is a front elevational view;

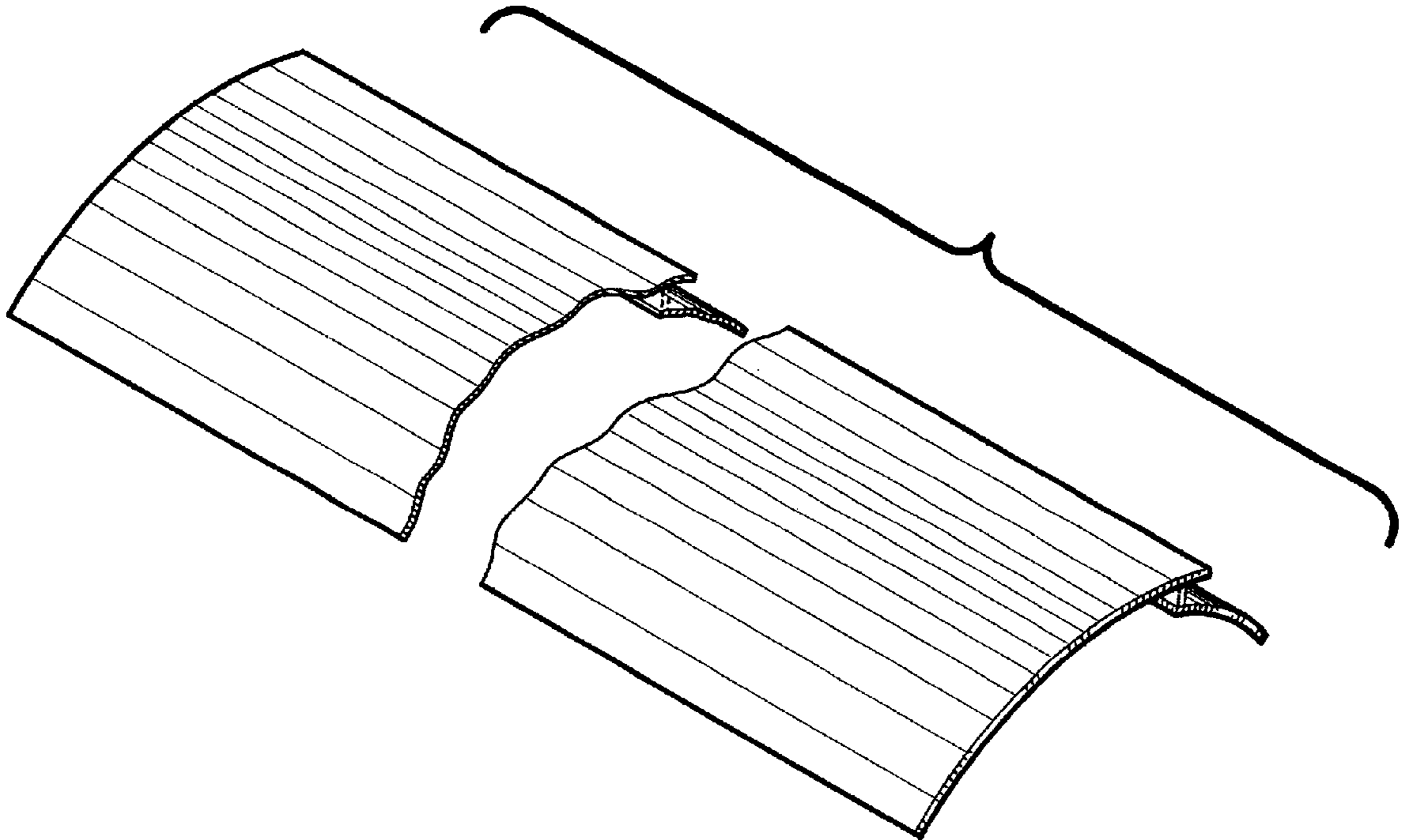
FIG. 6 is a bottom elevational view;

FIG. 7 is a rear elevational view;

FIG. 8 is a fragmentary perspective view; and,

FIG. 9 is a right-hand side elevational view.

1 Claim, 3 Drawing Sheets



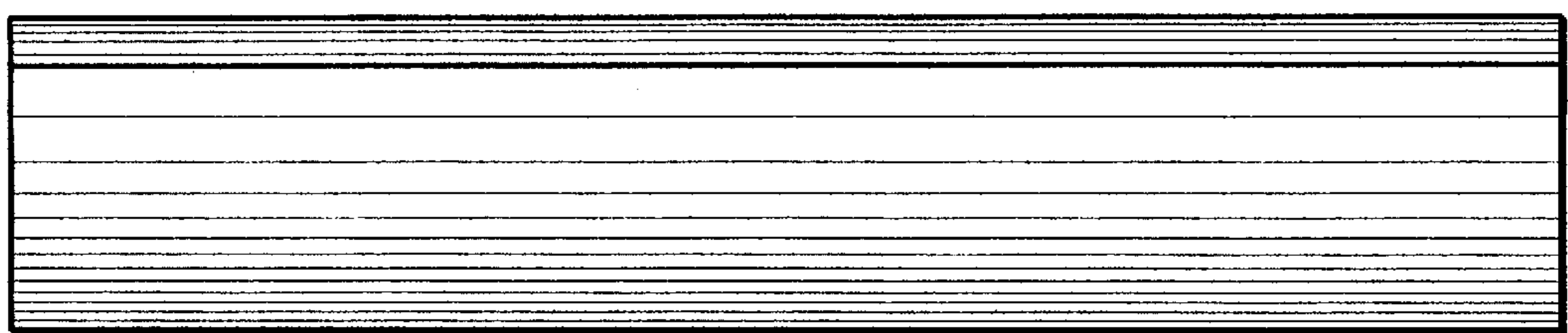
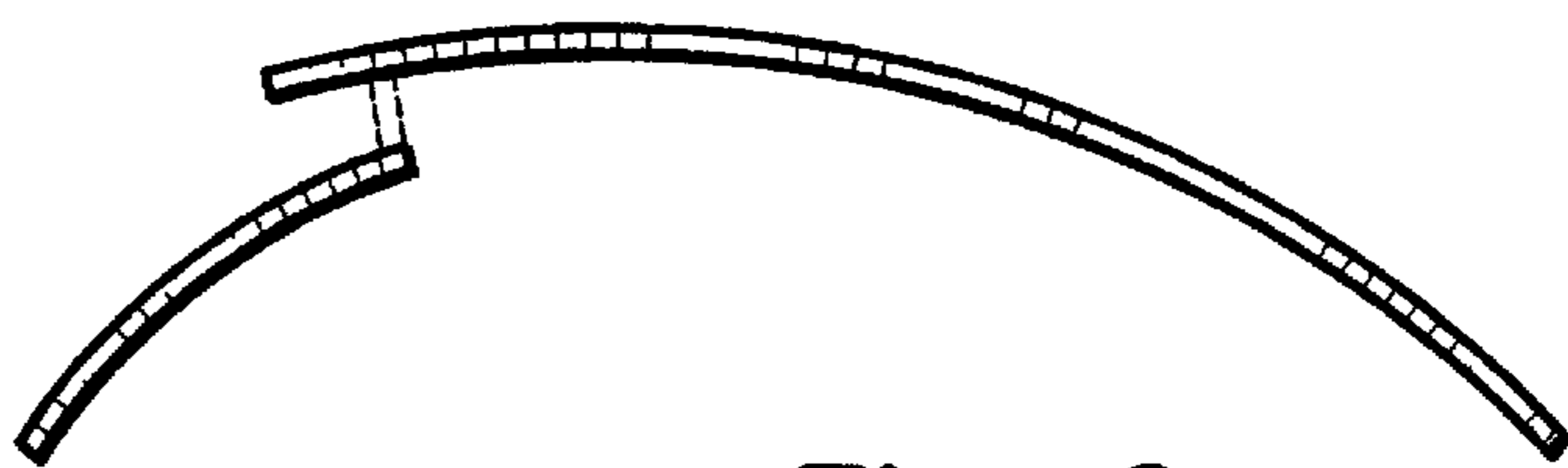
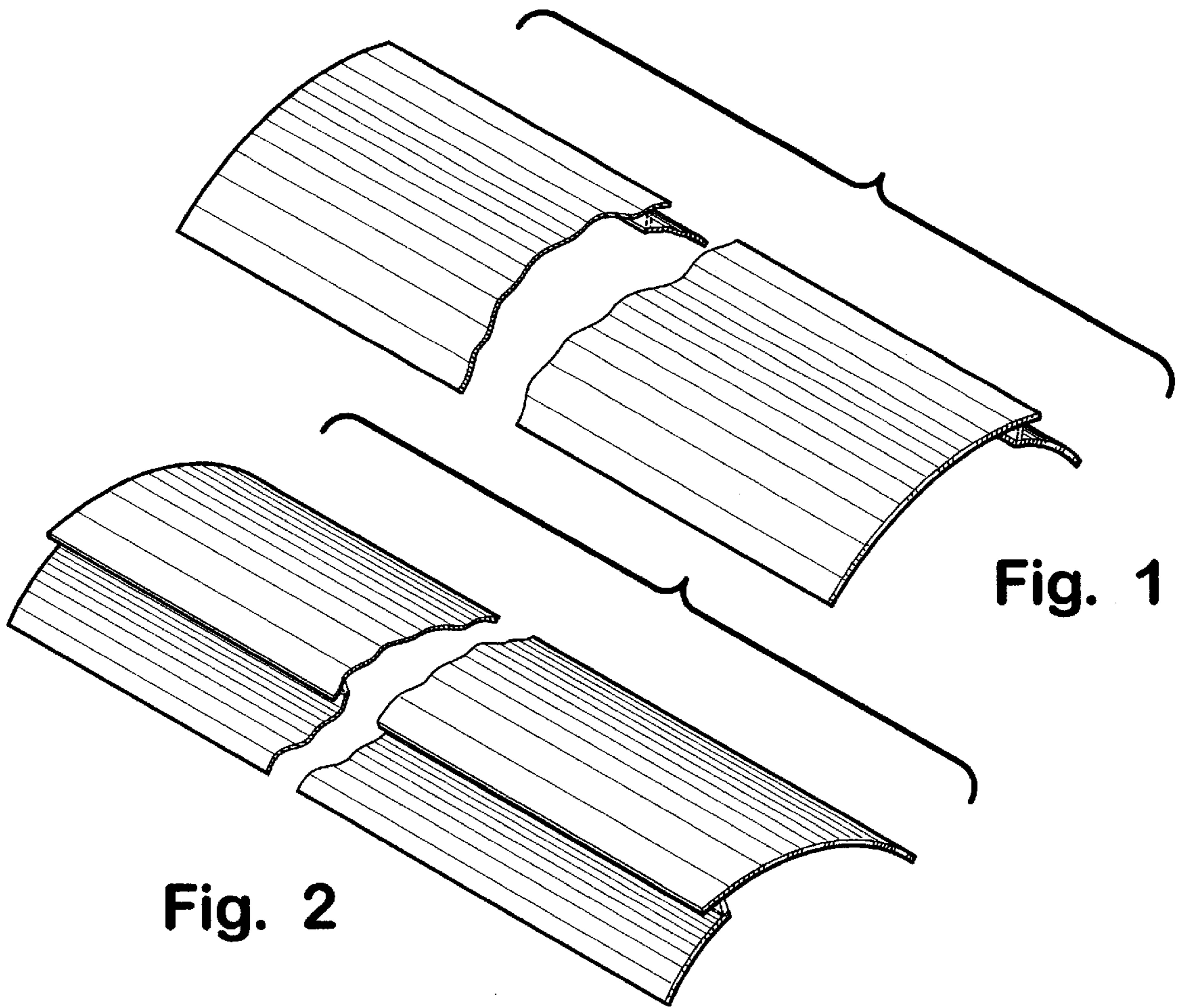


Fig. 4

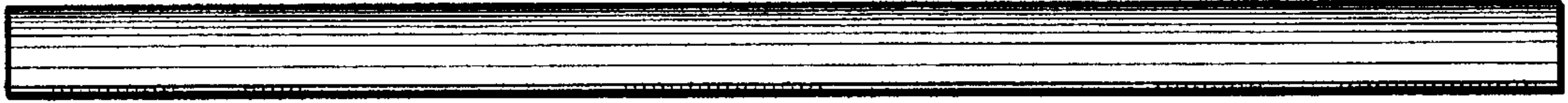


Fig. 5

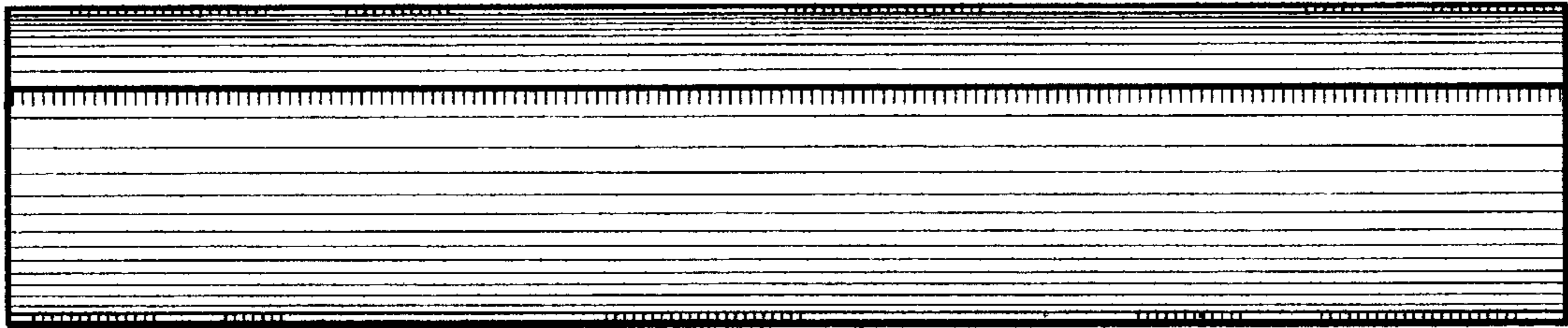


Fig. 6

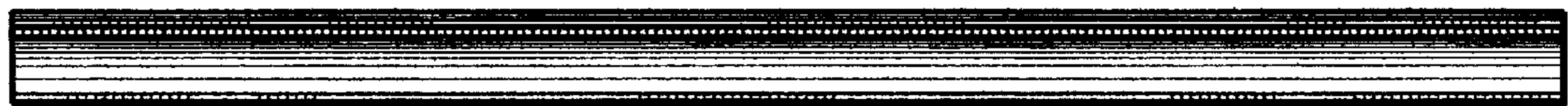


Fig. 7

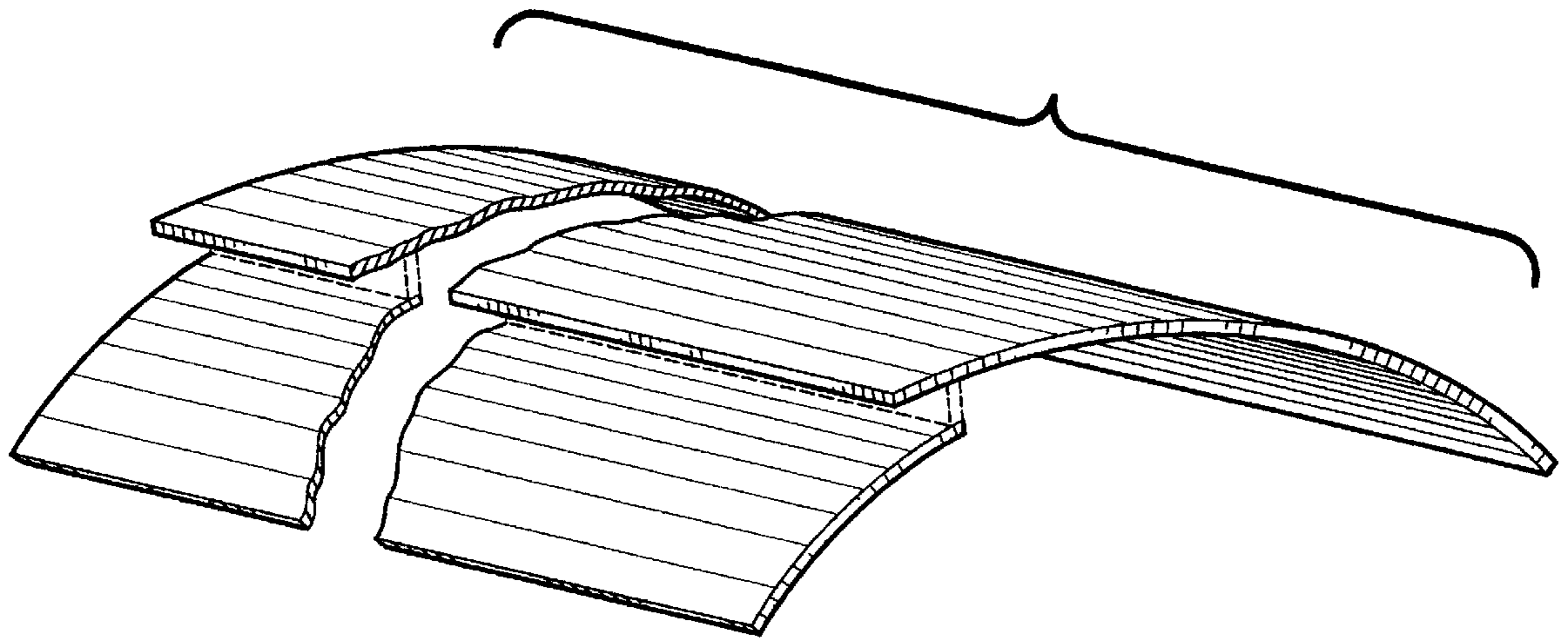


Fig. 8

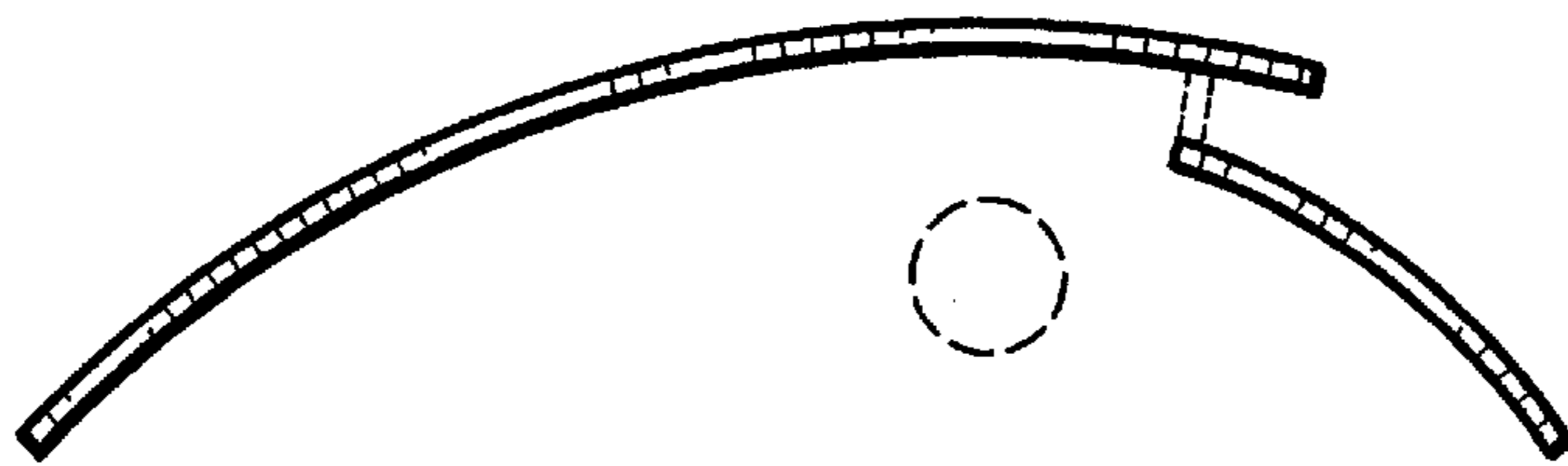


Fig. 9