



US00D444260S

(12) **United States Design Patent**
Dolan

(10) **Patent No.:** **US D444,260 S**

(45) **Date of Patent:** **** Jun. 26, 2001**

(54) **WALL MOUNTED LIGHT FIXTURE**

(76) **Inventor:** **Patrick S. Dolan**, 1901 NW. Upshur St., Portland, OR (US) 97209

(**) **Term:** **14 Years**

(21) **Appl. No.:** **29/134,695**

(22) **Filed:** **Dec. 27, 2000**

(51) **LOC (7) Cl.** **26-05**

(52) **U.S. Cl.** **D26/92**

(58) **Field of Search** D26/72, 80-92;
362/147, 404-408, 432

(56) **References Cited**

PUBLICATIONS

Kenroy, Jacksonville, FL, Catalog Year 2000, p. 8 Model #66401 BN1.

Kitchler Lighting catalog, 1990, p. 84, wall lamp #K-6582 PB©.*

Minka-Lavery, 1995, p. 146, wall lamp, #D 3601-33*.*

* cited by examiner

Primary Examiner—Susan J. Lucas

(57) **CLAIM**

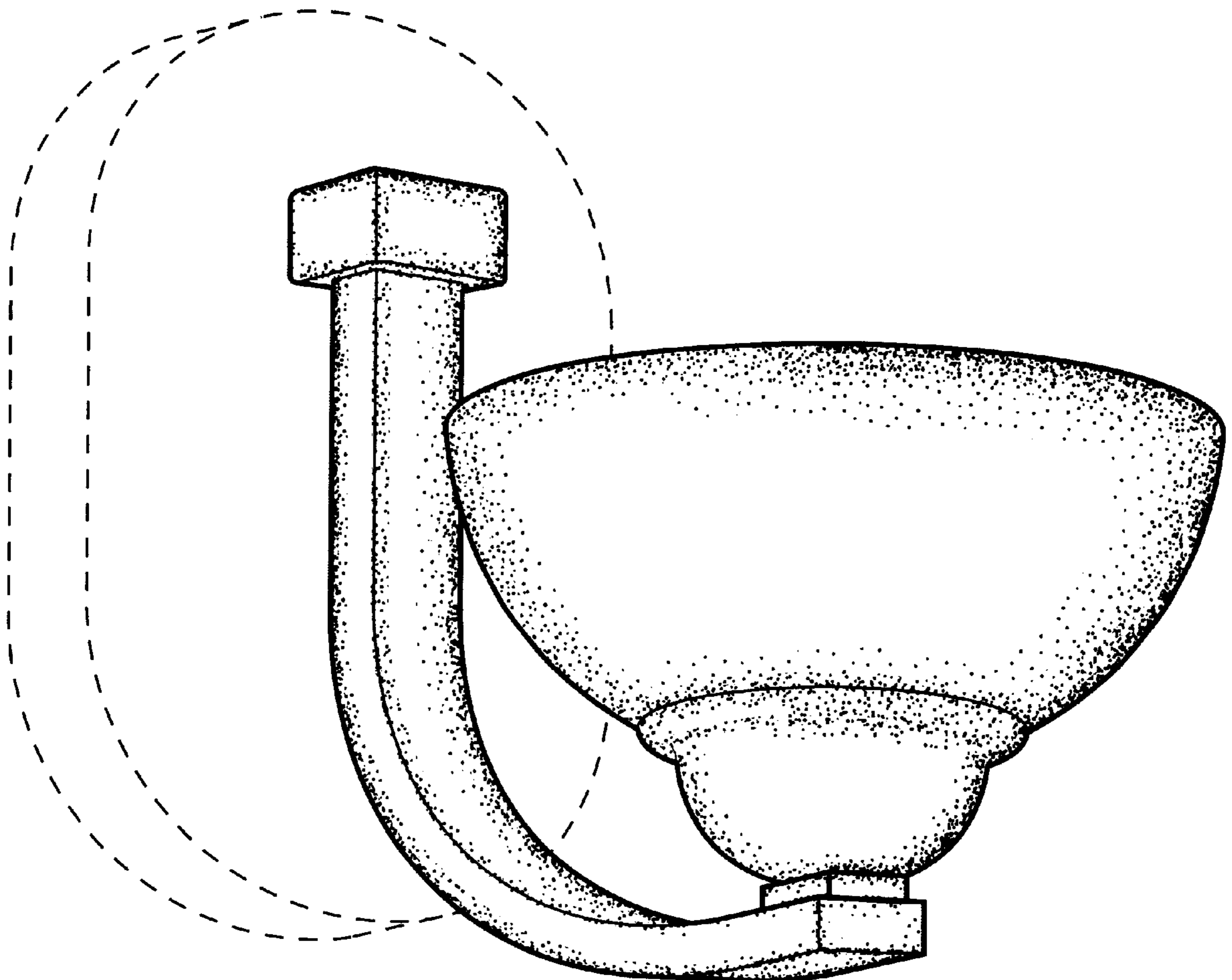
The ornamental design for a wall mounted light fixture, as shown and described.

DESCRIPTION

FIG. 1 is a perspective view thereof;
FIG. 2 is a front elevational view thereof;
FIG. 3 is a right side view, the left side being a mirror image;
FIG. 4 is a back elevational view thereof;
FIG. 5 is a top view thereof; and,
FIG. 6 is a bottom plan view thereof.

The broken lines shown in the drawing are environmental only and form no part of the claimed design.

1 Claim, 6 Drawing Sheets



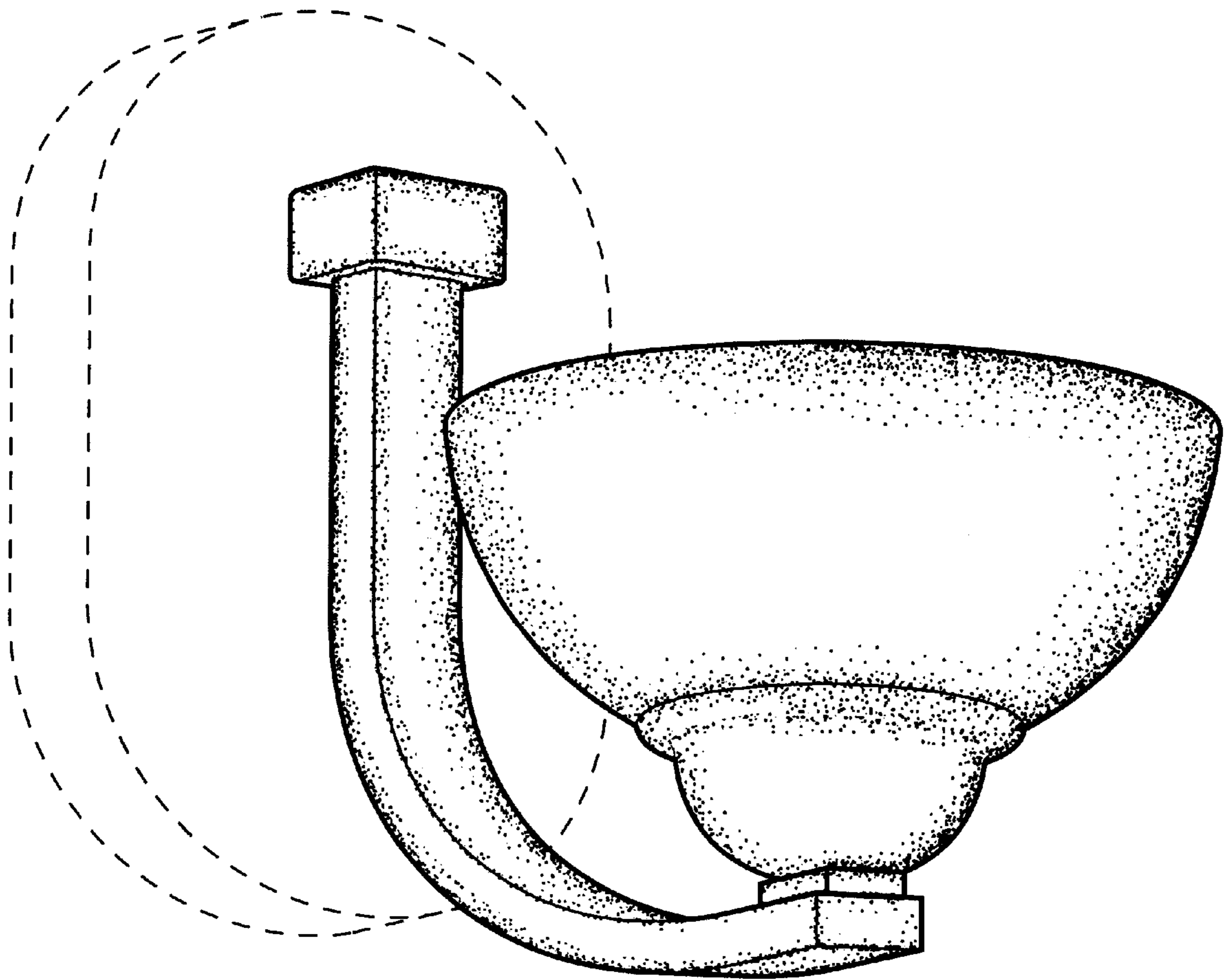


FIG. 1

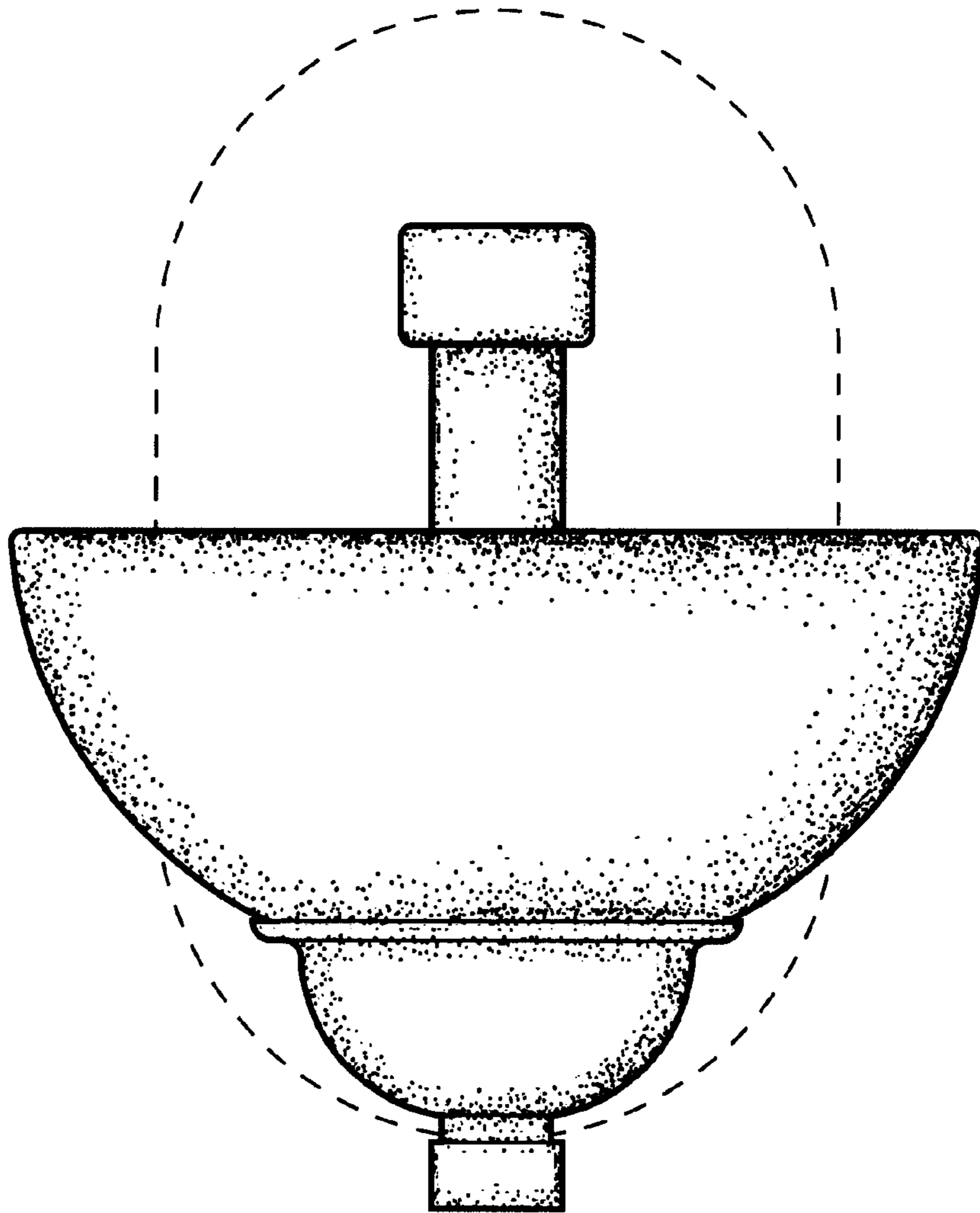


FIG. 2

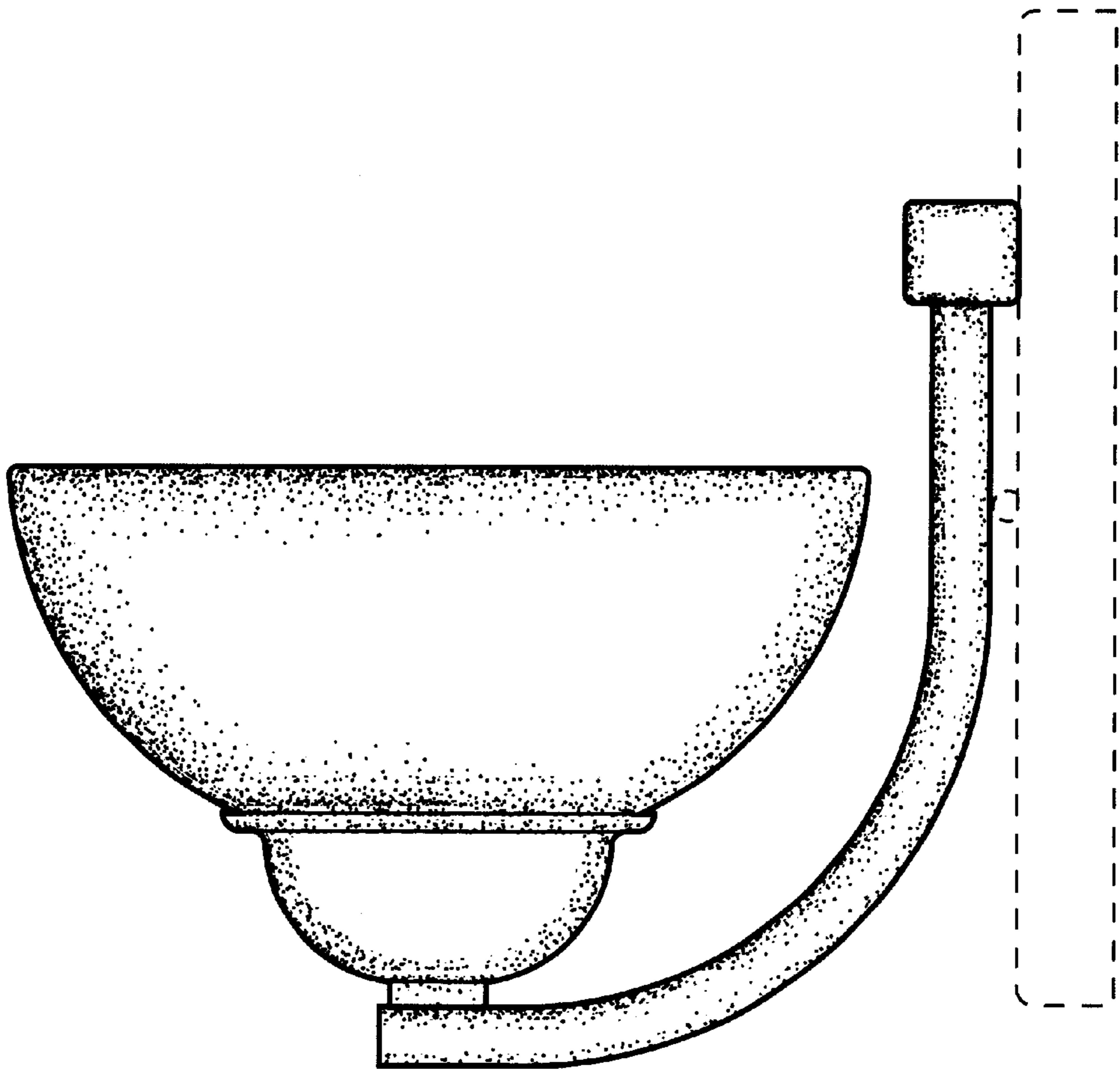


FIG. 3

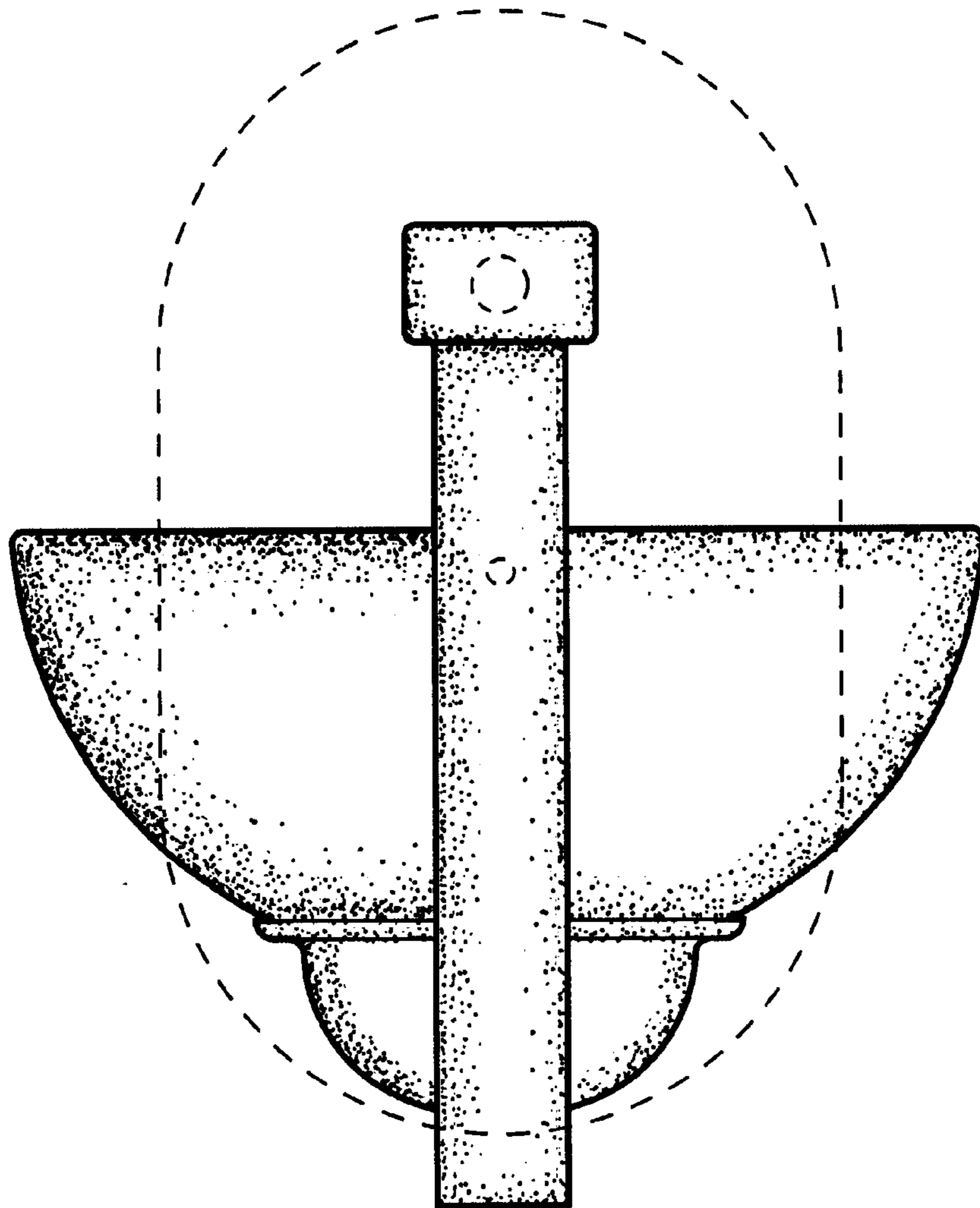


FIG. 4

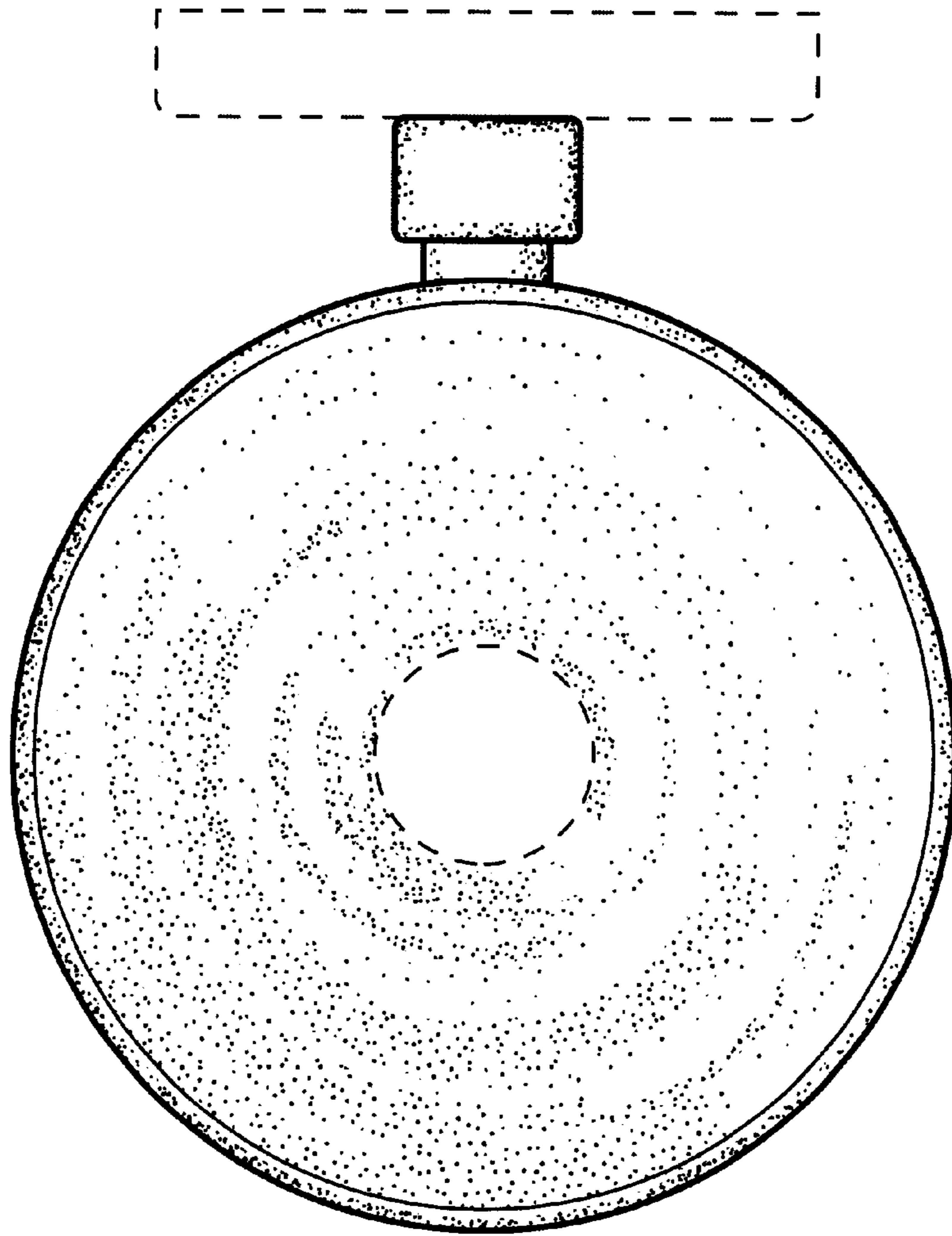


FIG. 5

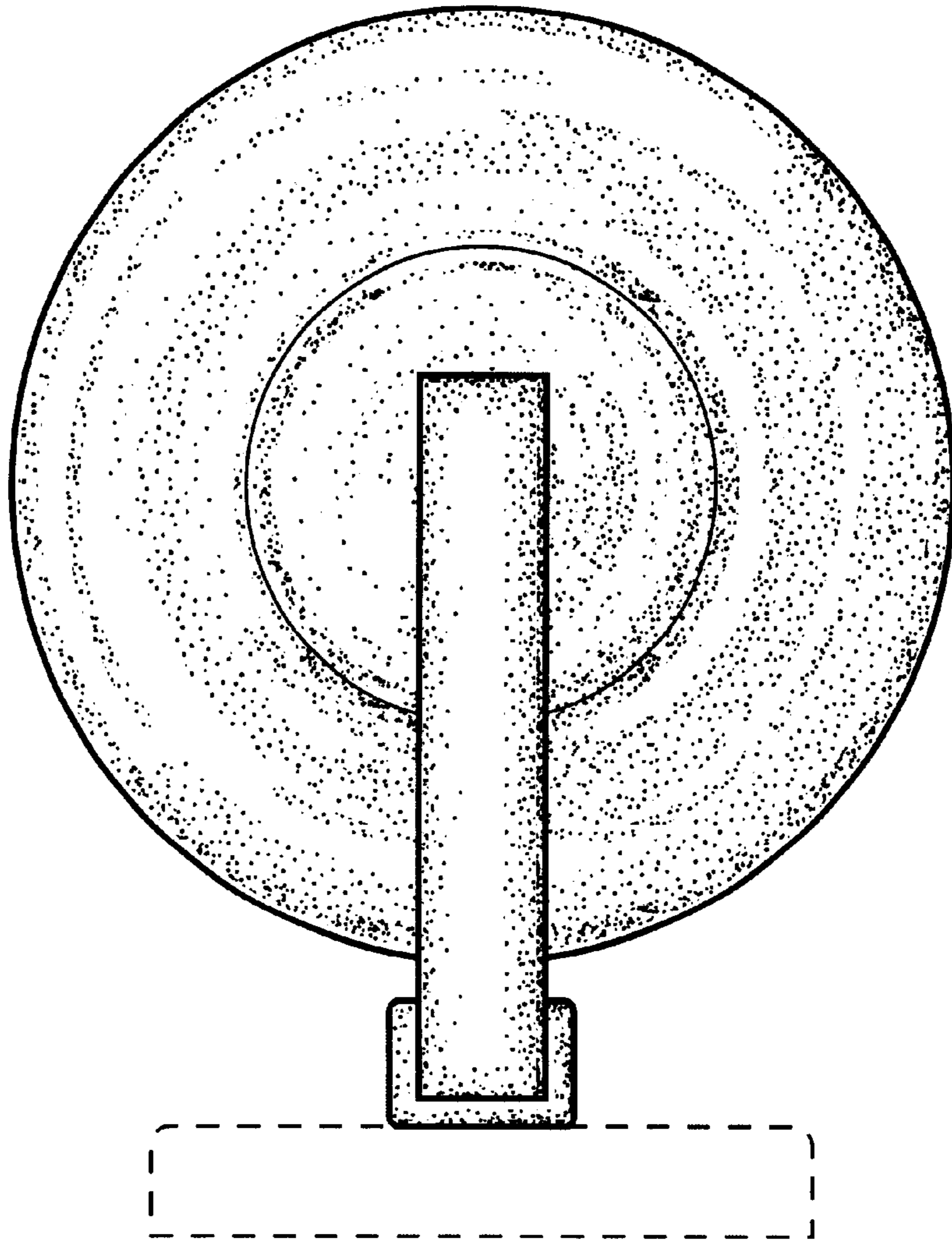


FIG. 6