



US00D444253S

(12) **United States Design Patent**
Blanchard

(10) **Patent No.:** **US D444,253 S**

(45) **Date of Patent:** **** Jun. 26, 2001**

(54) **LANTERN RESEMBLING A LIGHTHOUSE**

(76) Inventor: **Robert M. Blanchard**, 4441 Timothy Lane, Beamsville, Ontario (CA), L0R 1B1

(**) Term: **14 Years**

(21) Appl. No.: **29/119,255**

(22) Filed: **Feb. 28, 2000**

(51) **LOC (7) Cl.** **26-05**

(52) **U.S. Cl.** **D26/67**

(58) **Field of Search** D26/67, 68; 362/431, 362/806, 153.1, 153

(56) **References Cited**

U.S. PATENT DOCUMENTS

D. 426,011 * 5/2000 Giese D26/68

* cited by examiner

Primary Examiner—Lisa Lichtenstein

(74) *Attorney, Agent, or Firm*—Robert F. Delbridge

(57) **CLAIM**

The ornamental design for a lantern resembling a lighthouse, as shown and described.

DESCRIPTION

FIG. 1 is a perspective view from above of the lantern resembling a lighthouse in accordance with my design;

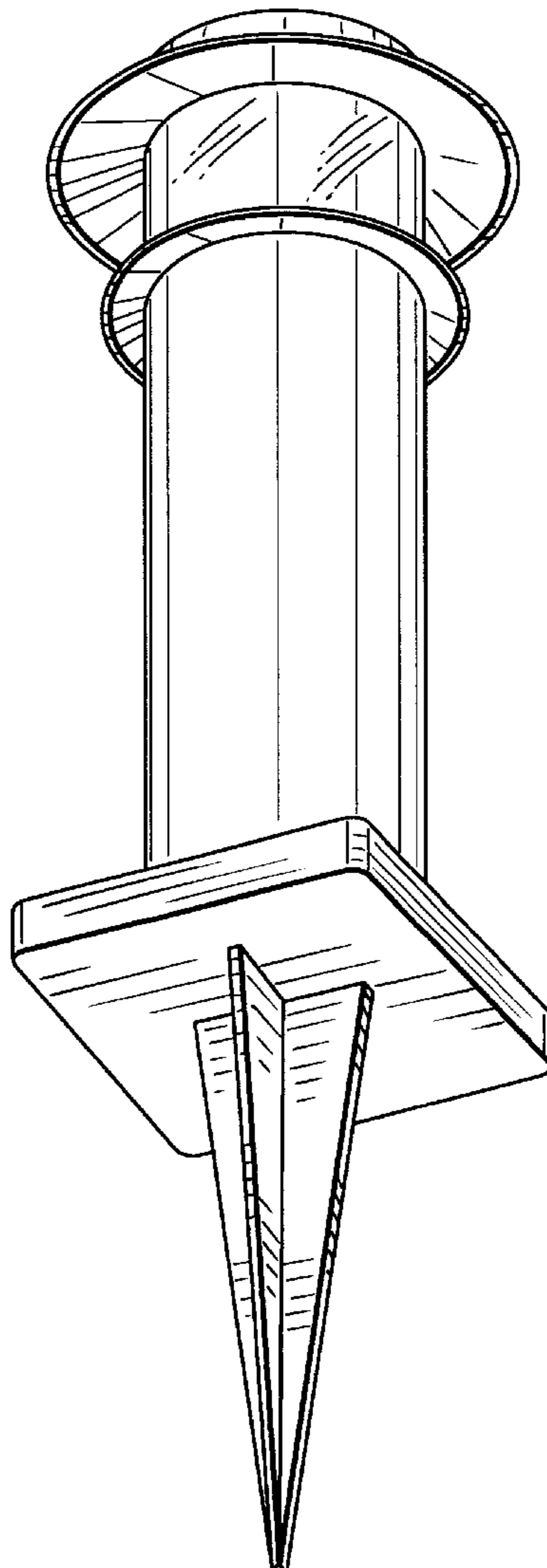
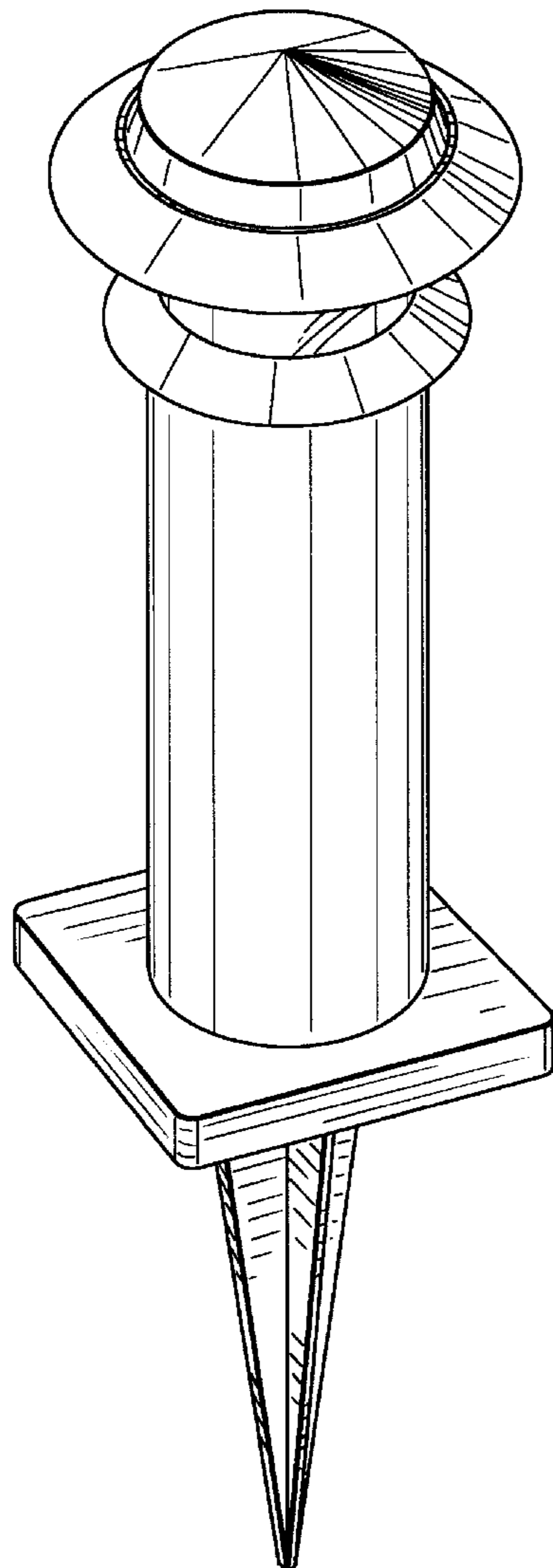
FIG. 2 is a perspective view from below thereof;

FIG. 3 is a side view thereof, all the sides being identical;

FIG. 4 is a top plan view; and,

FIG. 5 is a bottom plan view thereof.

1 Claim, 2 Drawing Sheets



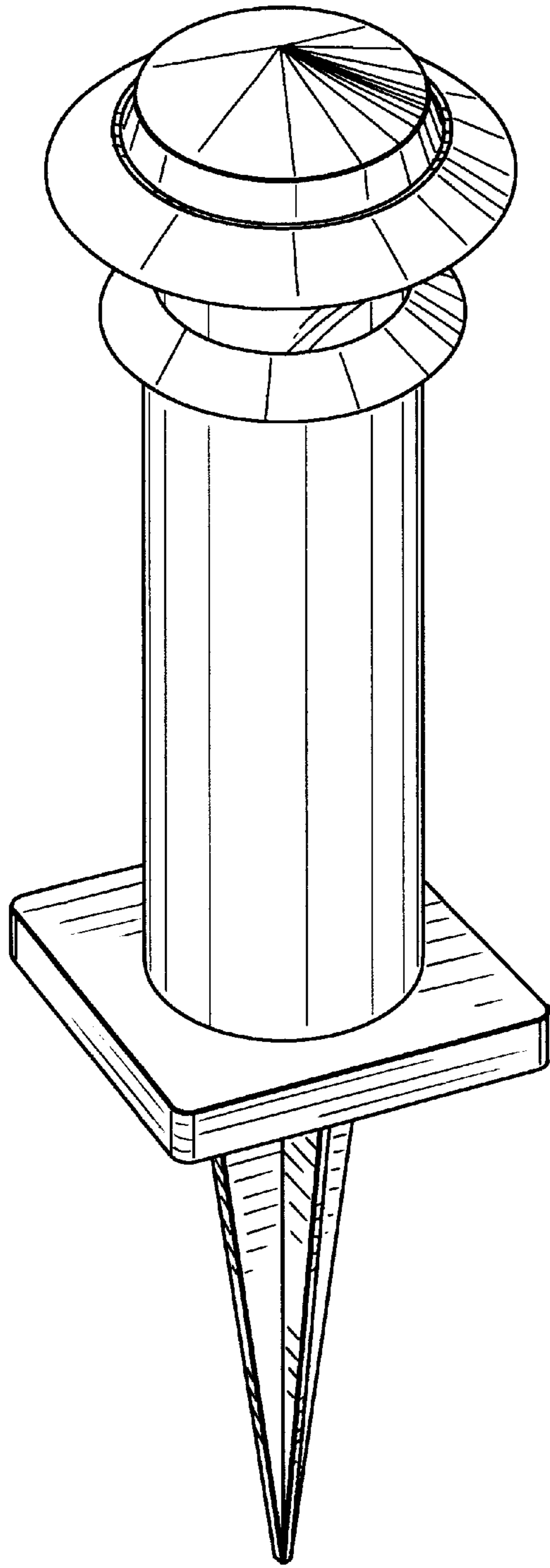


FIG. 1

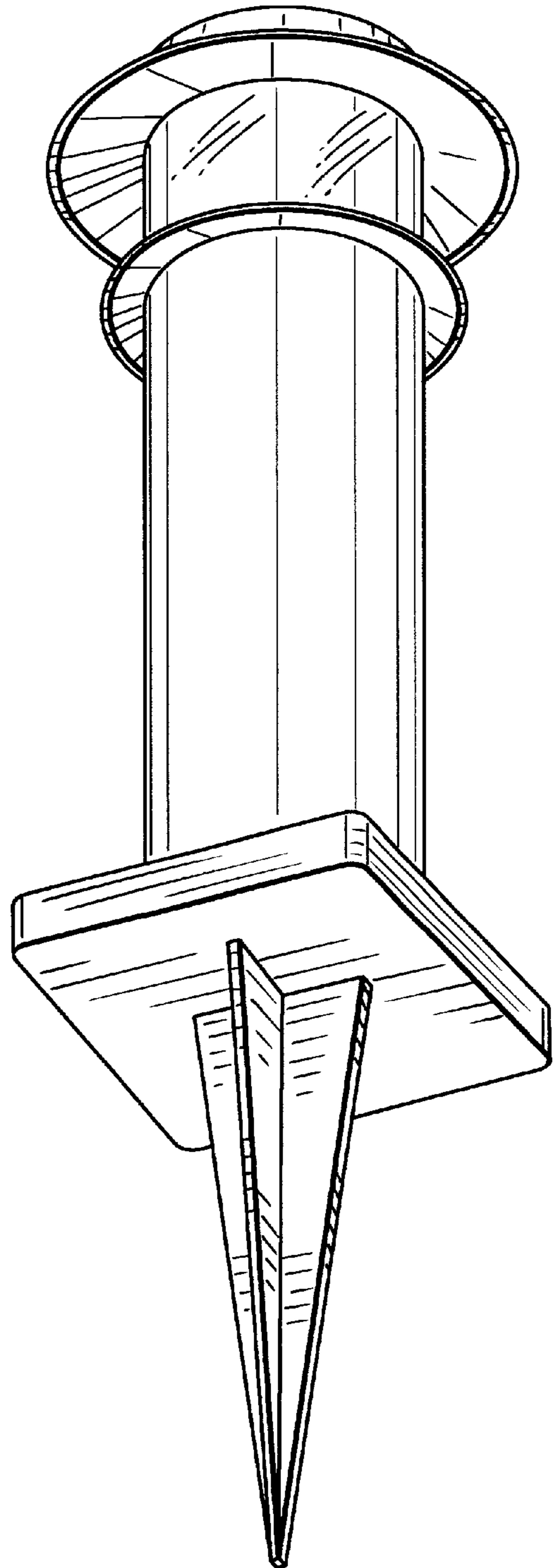


FIG. 2

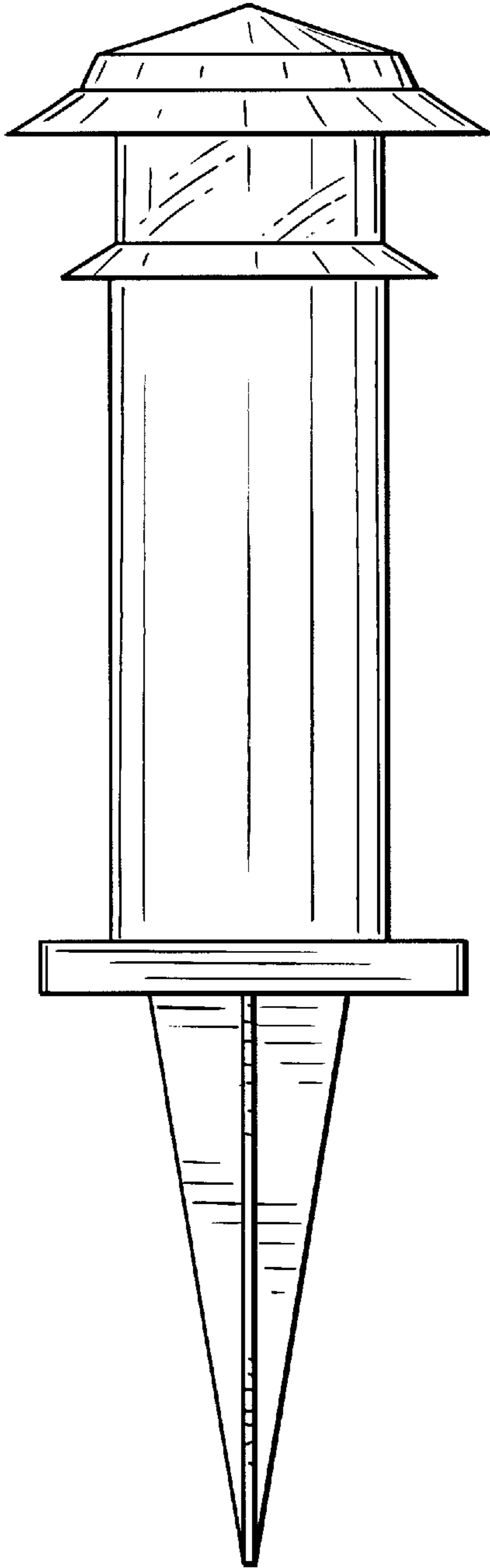


FIG. 3

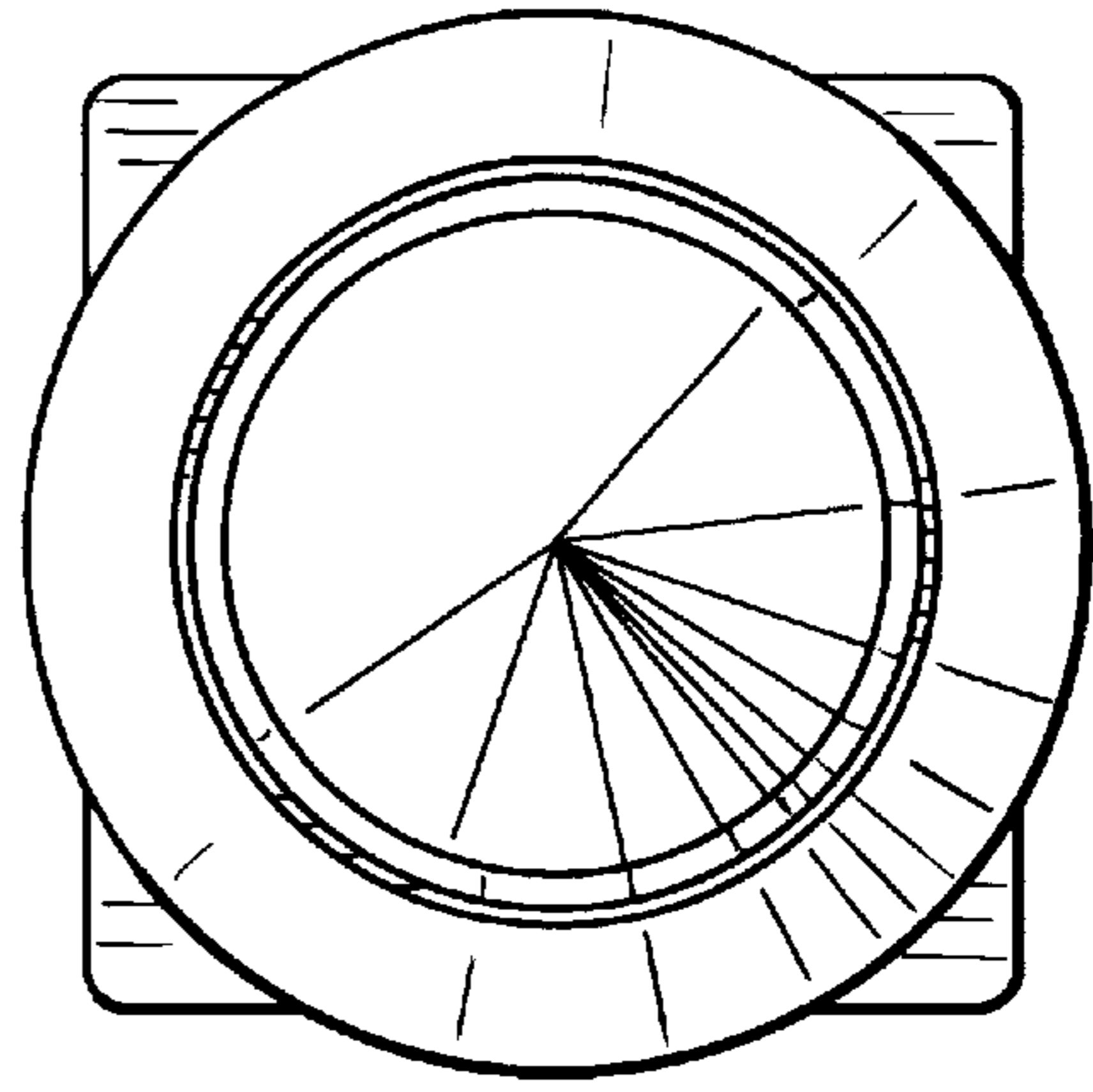


FIG. 4

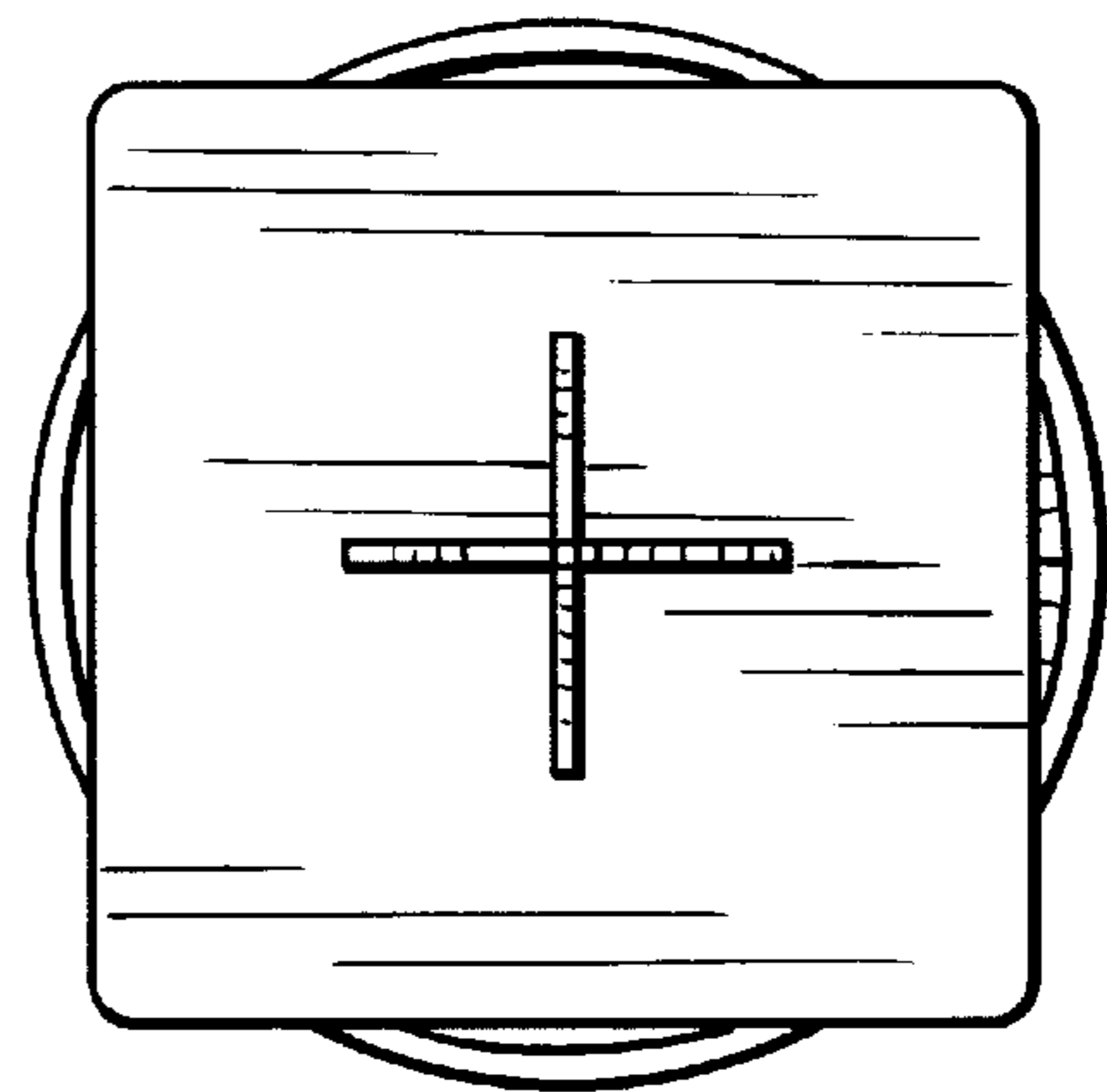


FIG. 5