



US00D444252S

(12) **United States Design Patent**  
**Miller et al.**

(10) **Patent No.: US D444,252 S**

(45) **Date of Patent: \*\* \*Jun. 26, 2001**

(54) **MOUNT FOR TRACK LIGHTING FIXTURE**

(75) Inventors: **Steven Miller**, San Diego, CA (US);  
**Allan Kwong**, Shatin (HK)

(73) Assignee: **Regal King Manufacturing Limited**,  
Kowloon Bay (HK)

(\* ) Notice: This patent is subject to a terminal disclaimer.

(\*\*) Term: **14 Years**

(21) Appl. No.: **29/127,045**

(22) Filed: **Jul. 27, 2000**

(51) **LOC (7) Cl. .... 26-05**

(52) **U.S. Cl. .... D26/63**

(58) **Field of Search** ..... D26/61-66; 362/418,  
362/419, 427, 269, 271, 272, 276, 277,  
278, 279; D13/139.2

(56) **References Cited**

**U.S. PATENT DOCUMENTS**

D. 402,384 \* 12/1998 Chen ..... D26/63

**OTHER PUBLICATIONS**

“Power-Trac” brochure, Halo Lighting, 400 Busse Road,  
Elk Grove, IL 60007; pp. cover, 48, 9, 10, 12 (undated).

“New Decade” brochure, Con-Tech Lighting, 130 N.  
Waukegan Road, Deerfield, Il 60015 (undated).

“Start With The Lamp . . . ” brochure, Con-Tech Lighting,  
130 N. Waukegan Road, Deerfield, Il 60015 (1988).

“Power-Trac” catalog, Halo Lighting, 400 Busse Road, Elk  
Grove, IL 60007; pp. cover, 2-4, 14-21, 24,30,36,, 37, 40,  
44, 52, 56-58, 70, back cover; Apr. 1990.

“Trac-Master” catalog, Juno Lighting, 1300 S. Wolf Road,  
Des Plaines, IL 60017, pp. cover, 3, 5-7,9-11,15, 17,  
19-23,29, 31, 33, 37, 38, 40, 43, 46, 51, 52, 55-57, 61, 62,  
65-67, 97, back cover (1997).

\* cited by examiner

*Primary Examiner*—Susan J. Lucas

(74) *Attorney, Agent, or Firm*—Baker, Donelson, Bearman  
& Caldwell

(57) **CLAIM**

The ornamental design for a mount for track lighting fixture,  
as shown and described.

**DESCRIPTION**

FIG. 1 is a front elevational view of a mount for track  
lighting fixture showing my new design;

FIG. 2 is a back elevational view thereof;

FIG. 3 is a top plan view thereof;

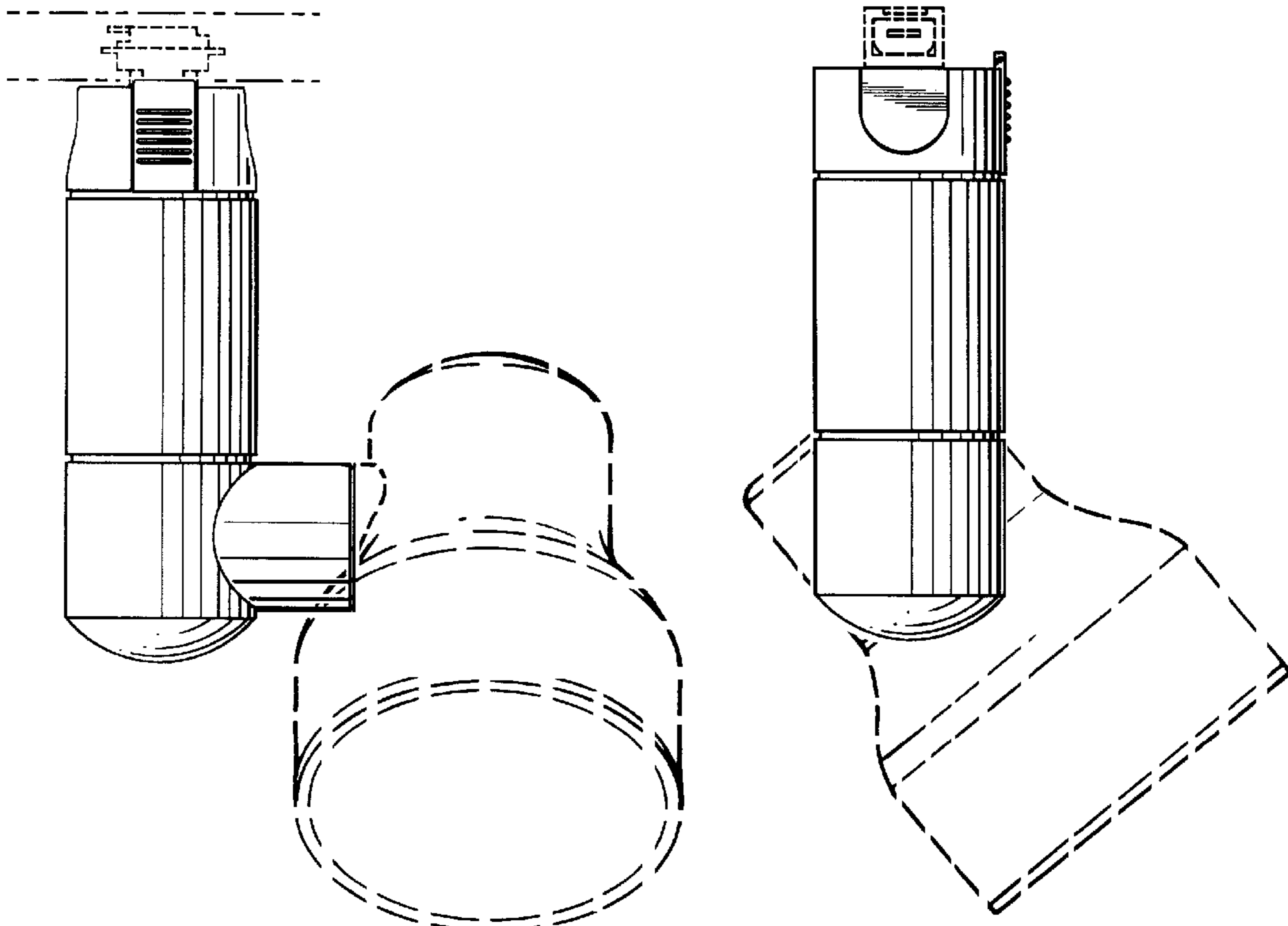
FIG. 4 is a bottom plan view thereof;

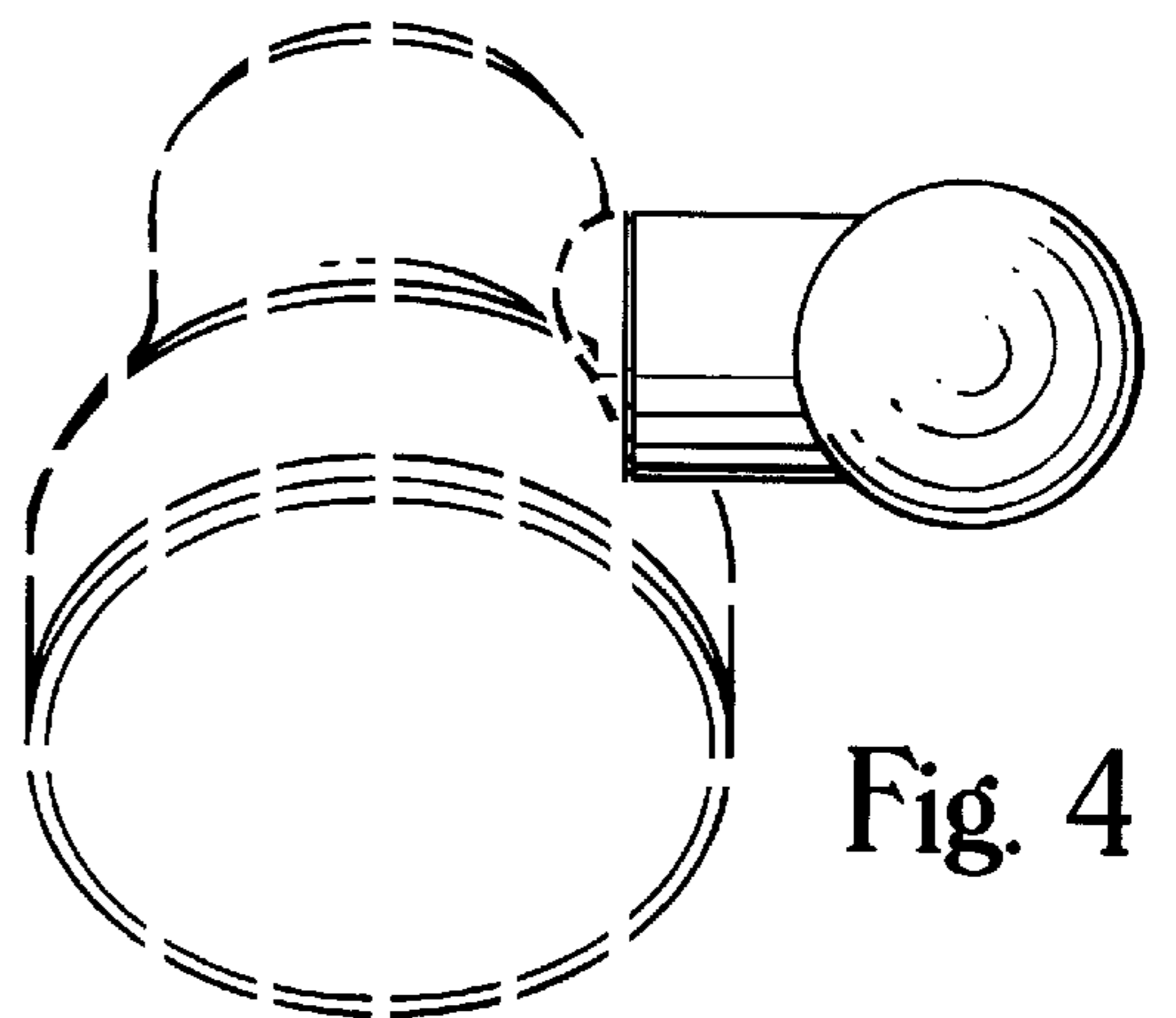
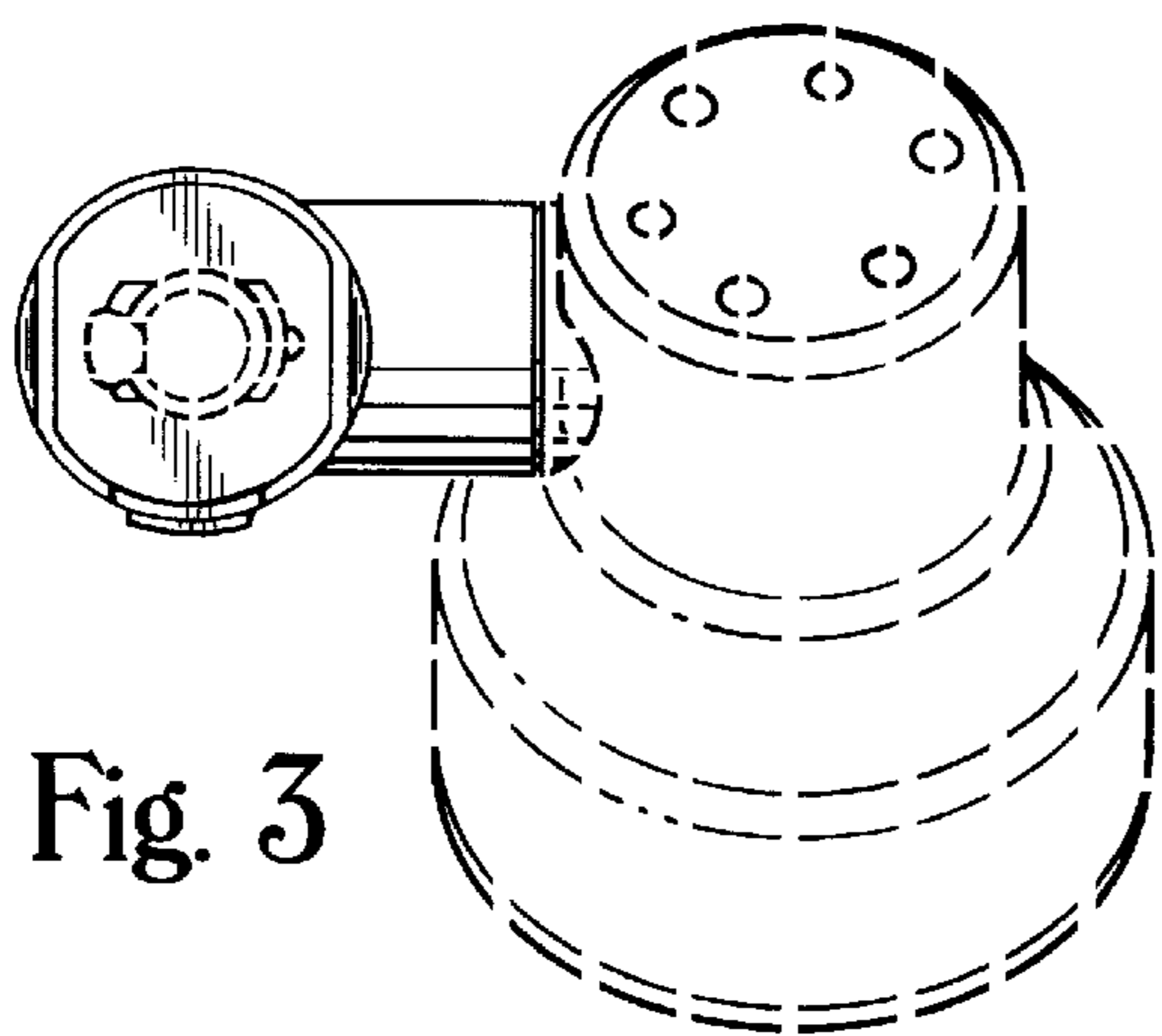
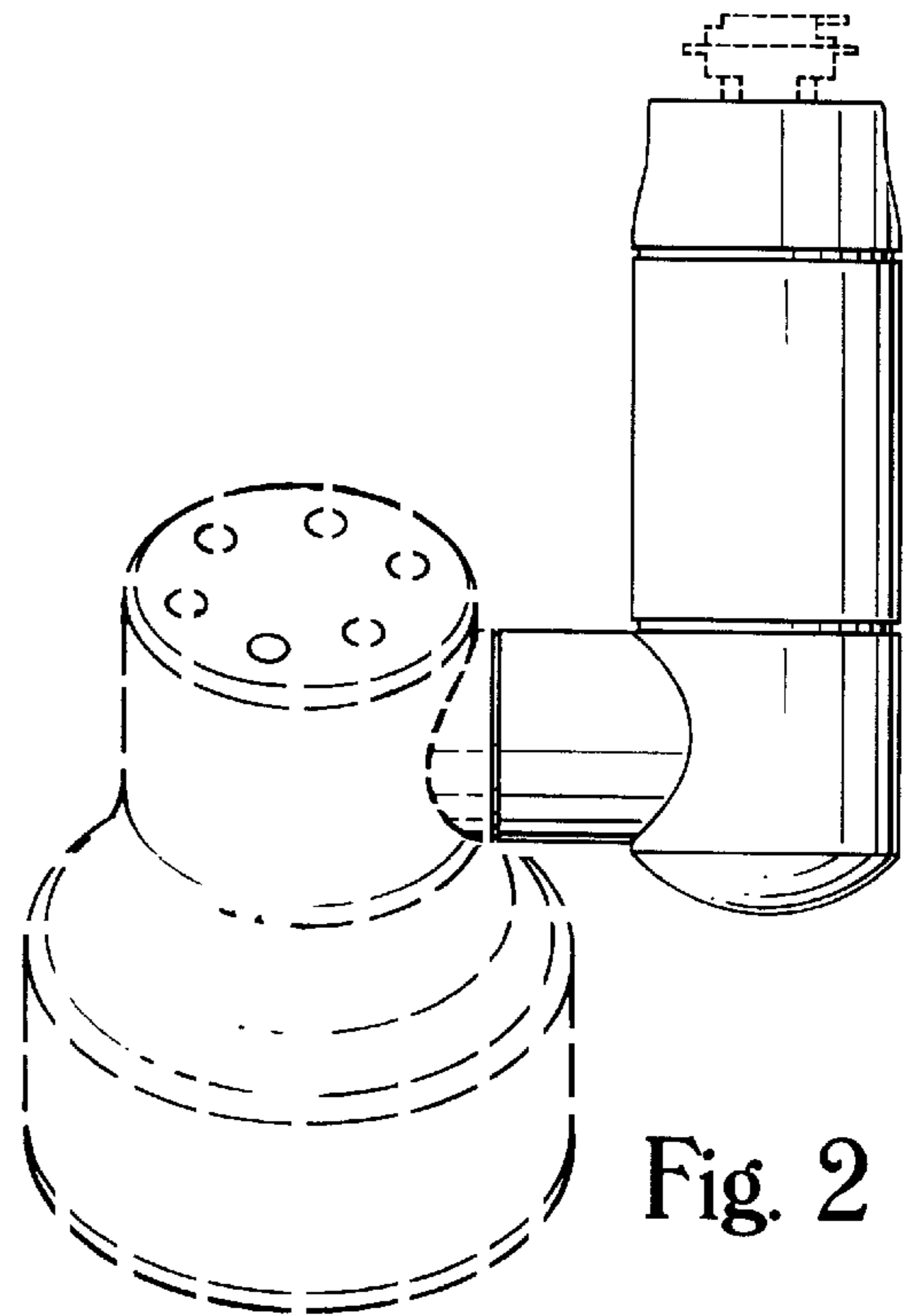
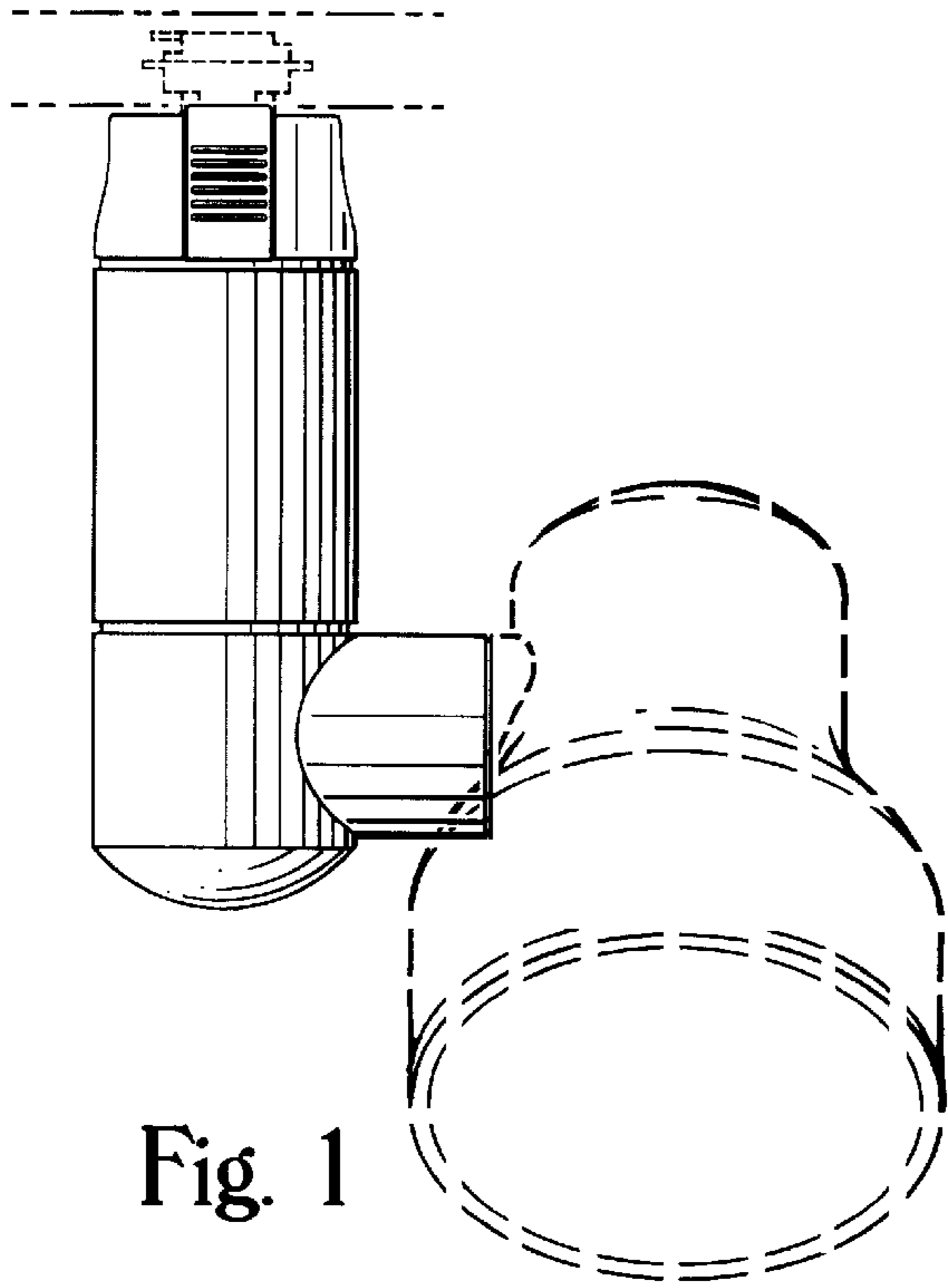
FIG. 5 is a right side elevational view thereof; and,

FIG. 6 is a left side elevational view thereof.

The broken line depictions in the figures of a fixture and  
track connector are for illustrative purposes only and form  
no part of the claimed design.

**1 Claim, 2 Drawing Sheets**





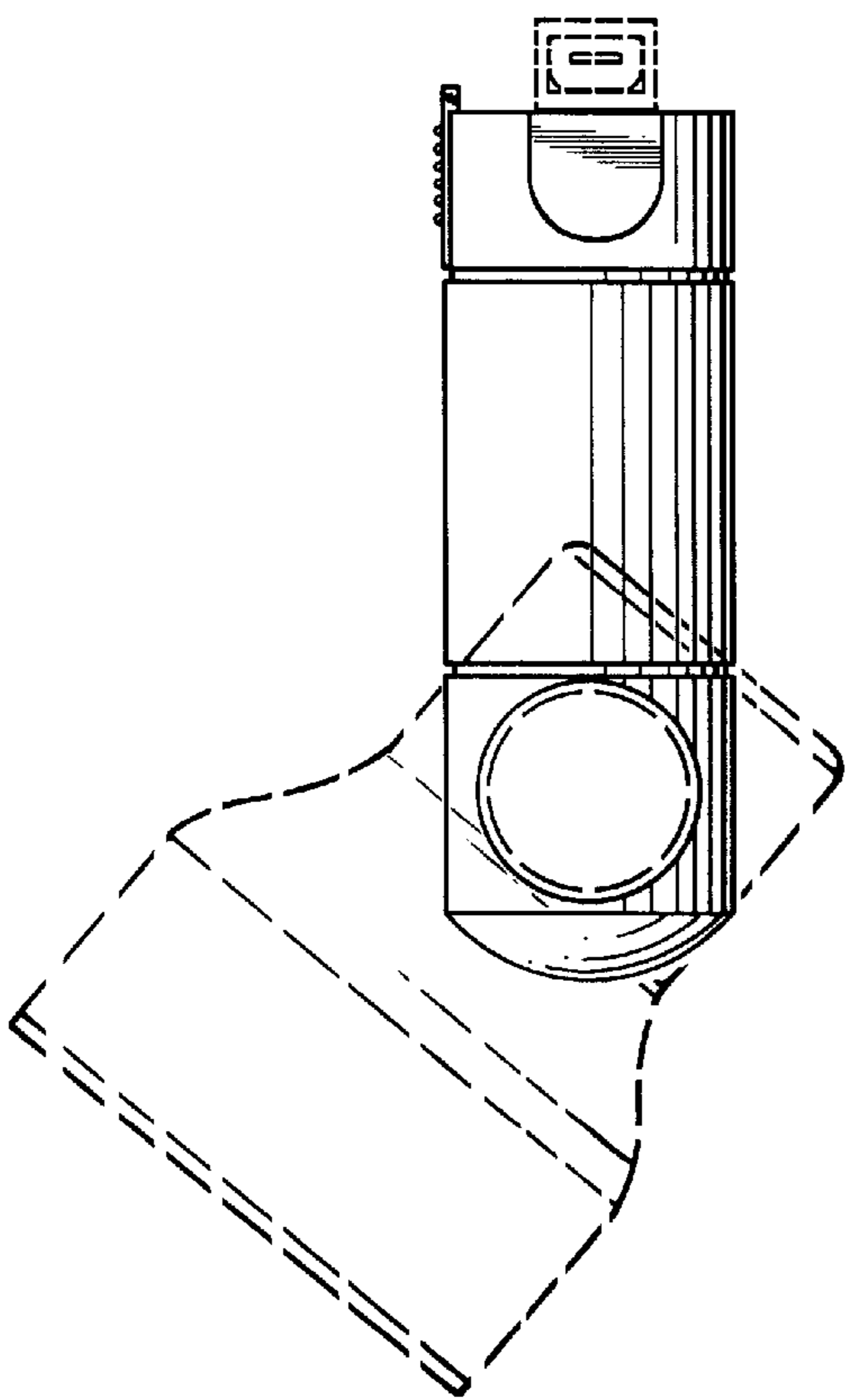


Fig. 5

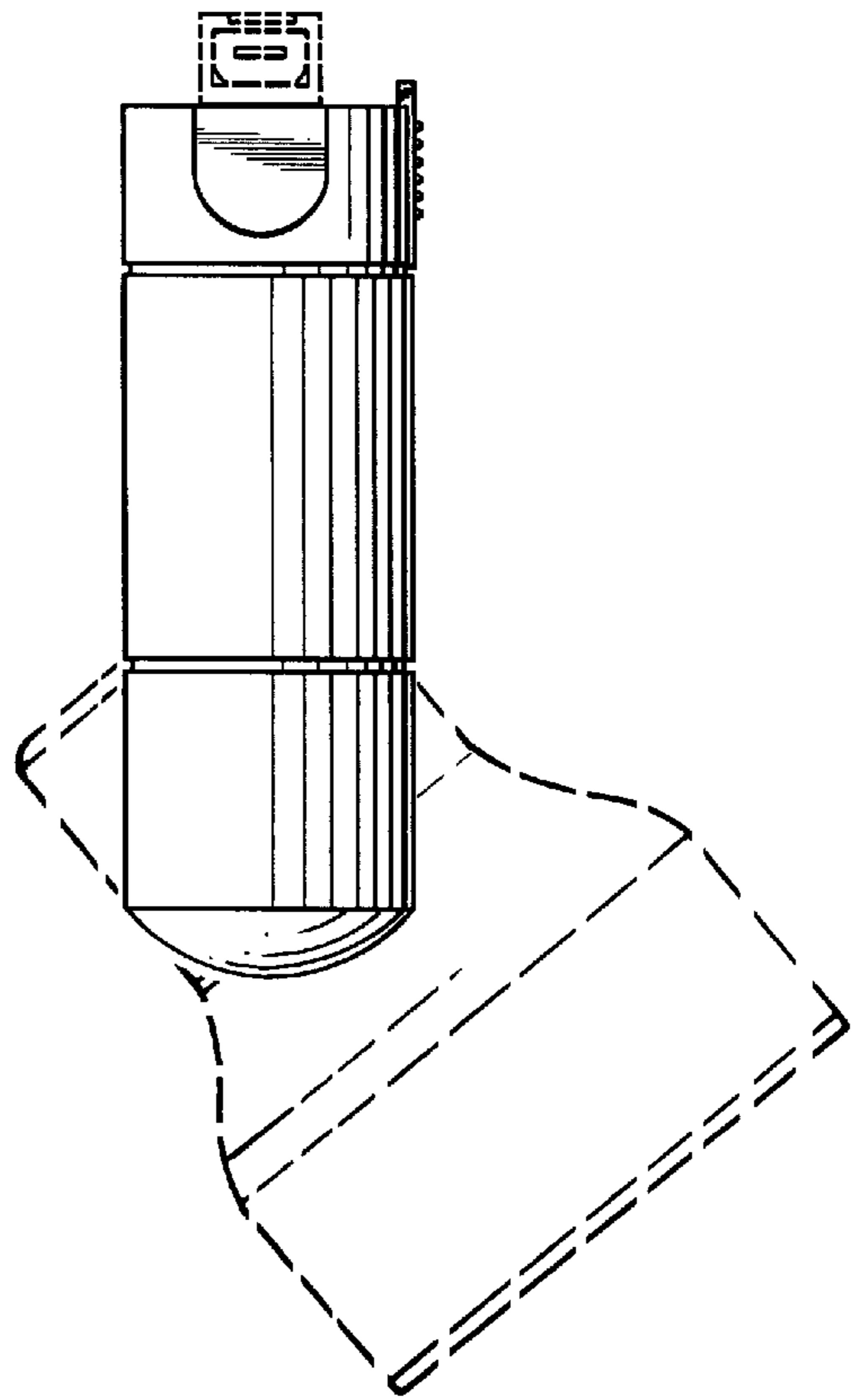


Fig. 6