



US00D444250S

(12) **United States Design Patent**  
**Yuen**

(10) **Patent No.:** **US D444,250 S**

(45) **Date of Patent:** **\*\* Jun. 26, 2001**

(54) **TOOL KIT RADIO LANTERN**

D. 410,760 \* 6/1999 Yao ..... D26/38

D. 427,345 \* 6/2000 Yuen ..... D26/38

(75) Inventor: **John Se-Kit Yuen, Kowloon (HK)**

\* cited by examiner

(73) Assignee: **John Manufacturing Limited,**  
**Kowloon (HK)**

*Primary Examiner*—Marcus A. Jackson

(74) *Attorney, Agent, or Firm*—Mattingly, Stanger &  
Malur, P.C.

(\*\*) Term: **14 Years**

(21) Appl. No.: **29/124,822**

(57) **CLAIM**

(22) Filed: **Jun. 13, 2000**

The ornamental design for a “tool kit radio lantern,” as shown and described.

(51) **LOC (7) Cl.** ..... **26-02**

**DESCRIPTION**

(52) **U.S. Cl.** ..... **D26/38**

(58) **Field of Search** ..... D26/37–50; D14/168,  
D14/169; 362/72, 83, 87, 157, 158, 171,  
173, 183–208

FIG. 1 is a front view of a tool kit radio lantern showing my new design;

FIG. 2 is a plan view thereof;

FIG. 3 is a rear view thereof;

FIG. 4 is an underneath view thereof;

FIG. 5 is a right side view thereof; and,

FIG. 6 is a left side view thereof.

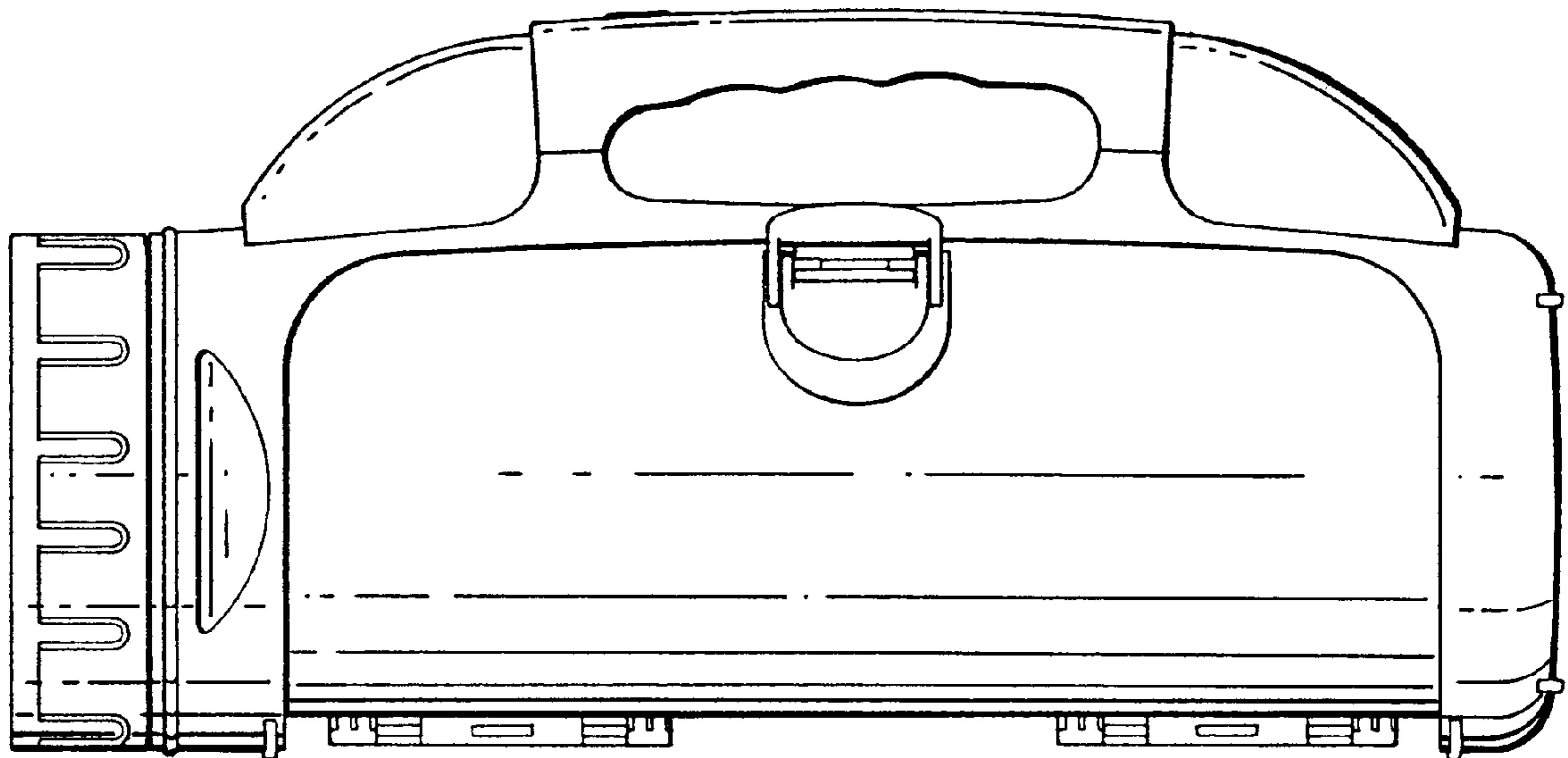
(56) **References Cited**

**U.S. PATENT DOCUMENTS**

D. 384,202 \* 9/1997 Gilmore ..... D26/38

D. 389,593 \* 1/1998 Shiao ..... D26/38

**1 Claim, 2 Drawing Sheets**



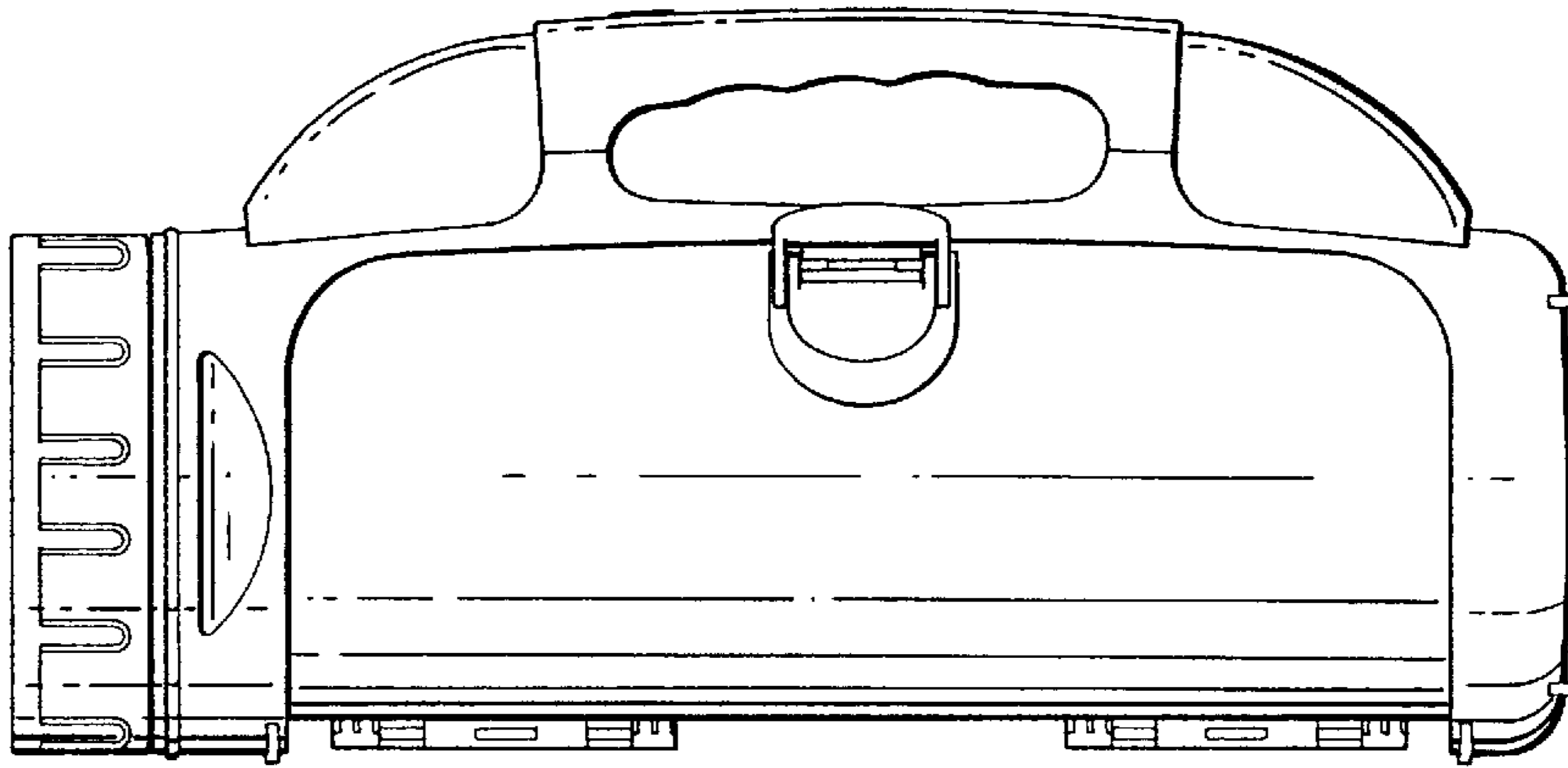


FIG. 1

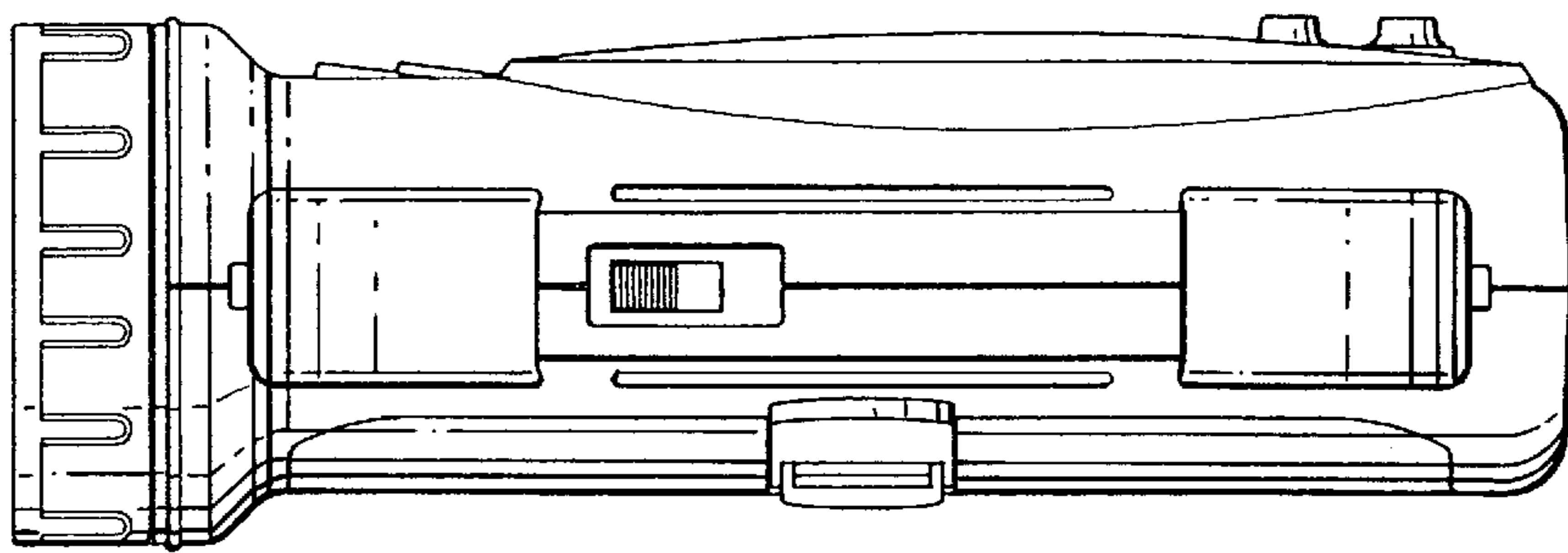


FIG. 2

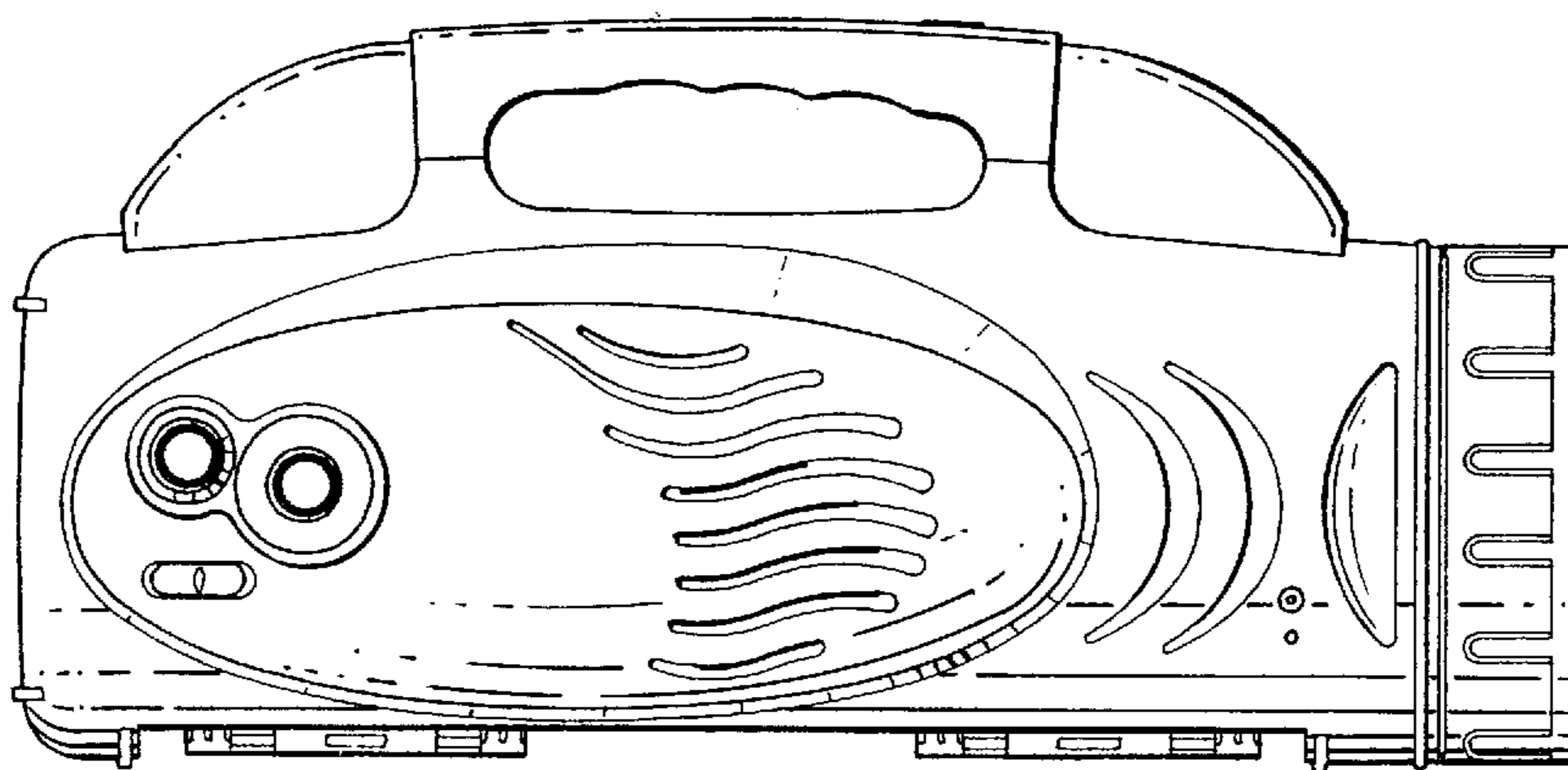


FIG. 3

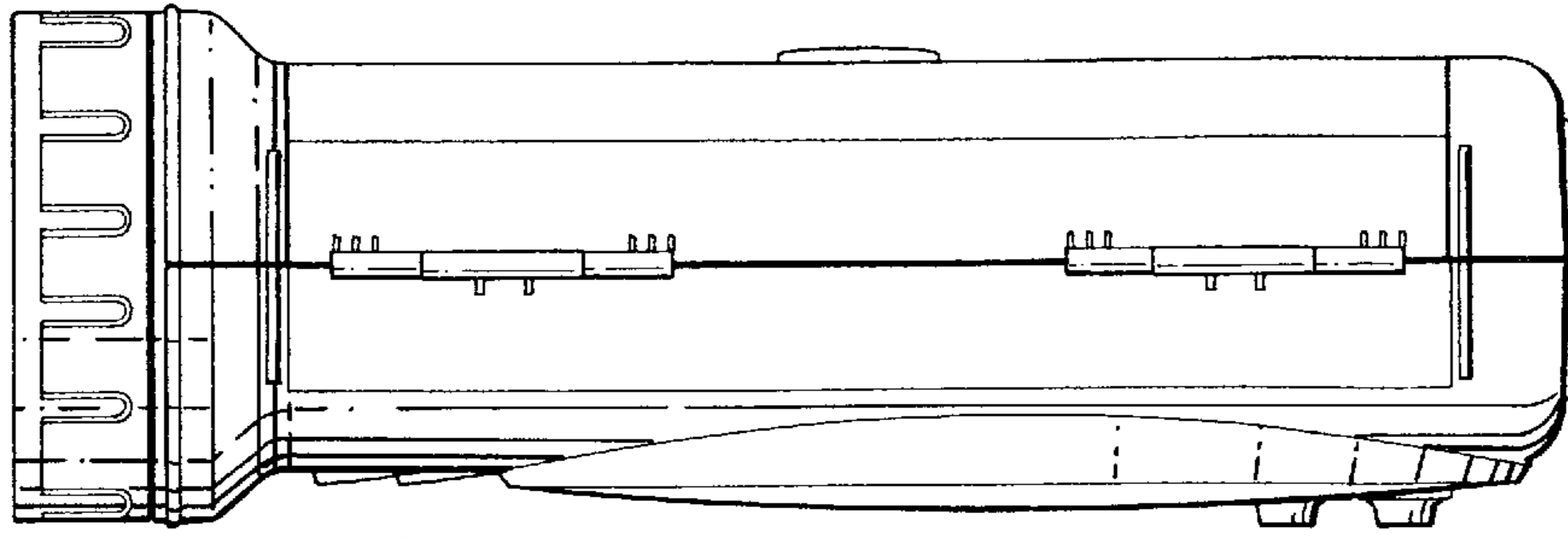


FIG. 4

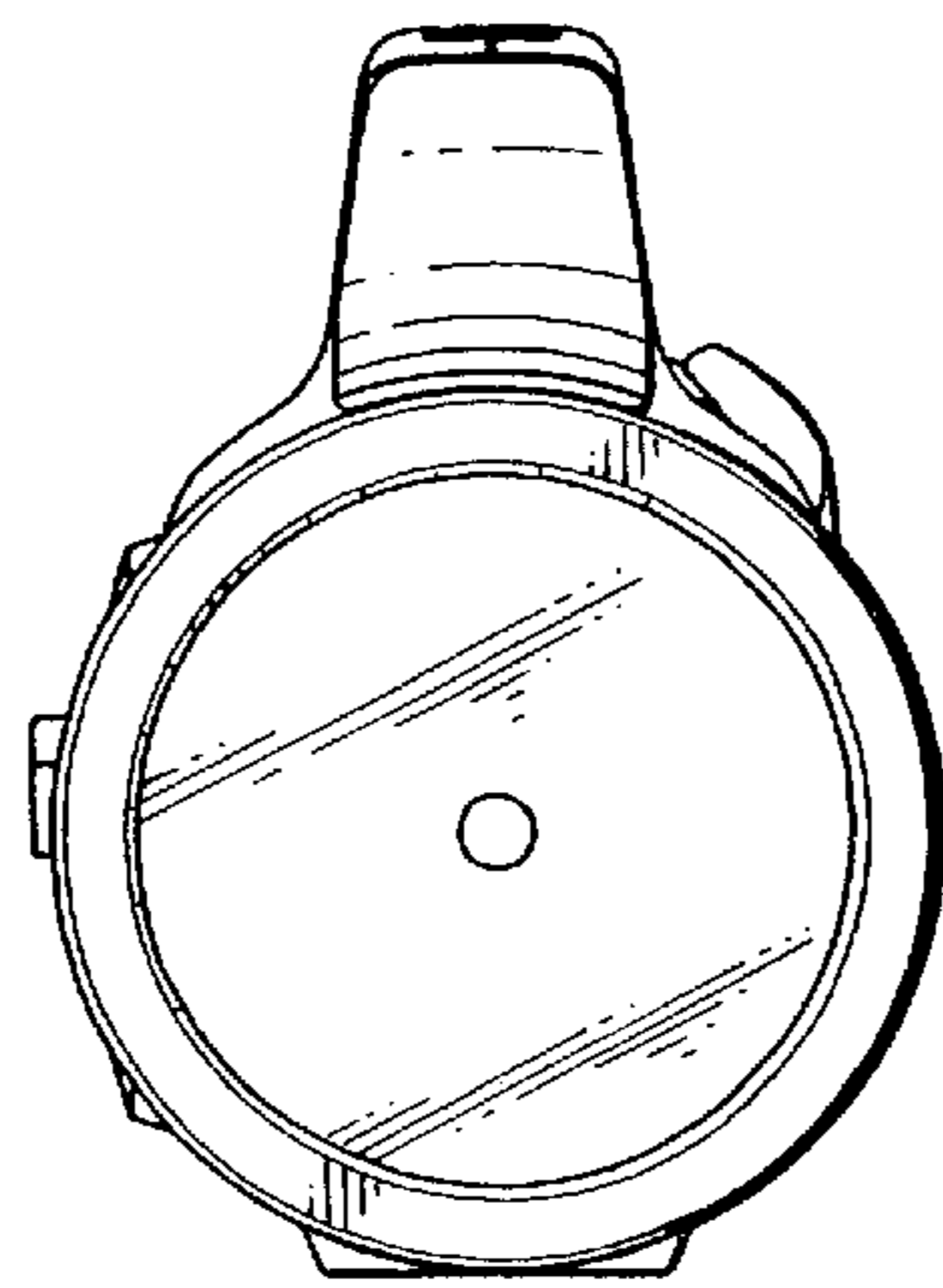


FIG. 5

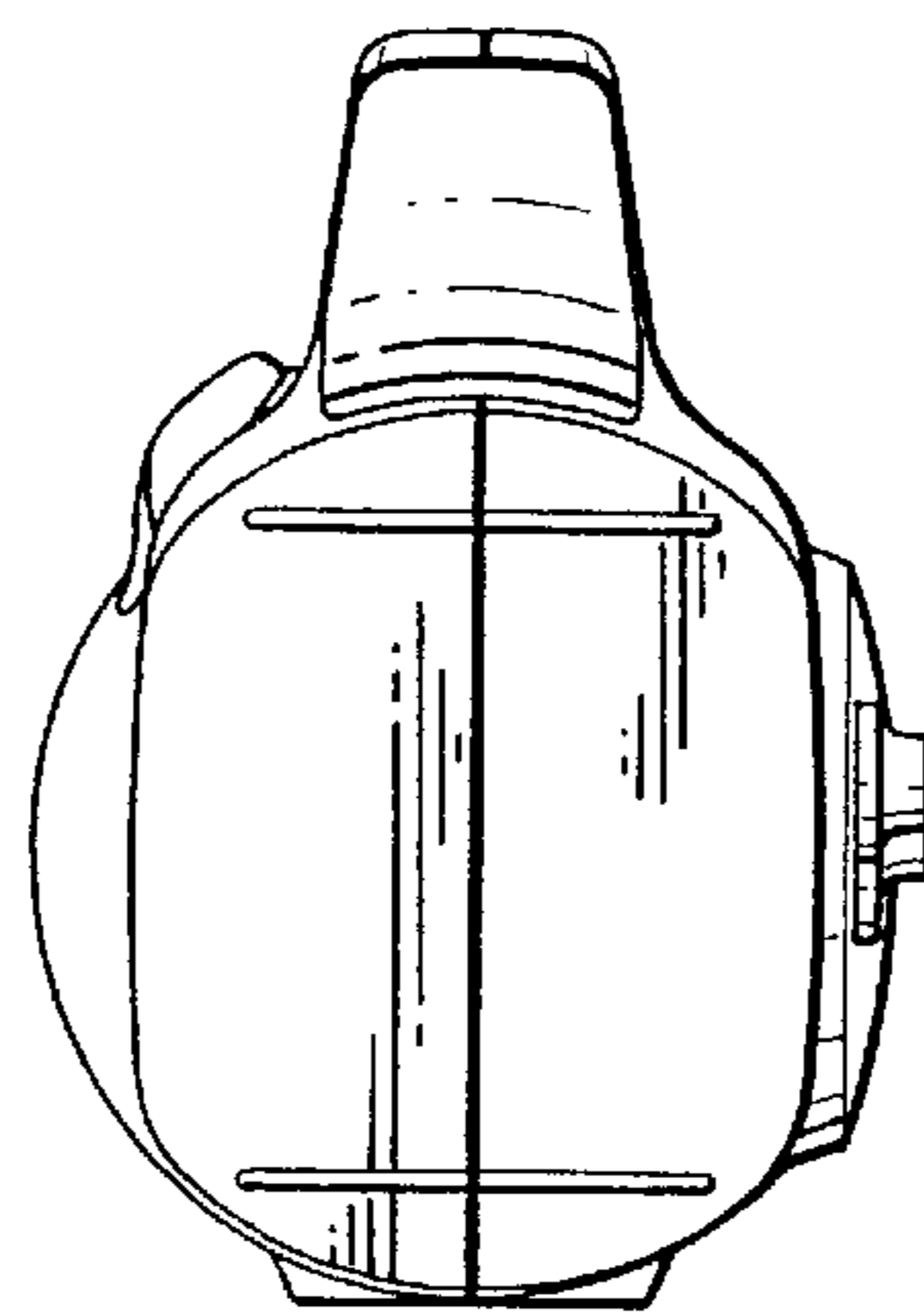


FIG. 6