



US00D444249S

(12) **United States Design Patent**
Papke et al.

(10) **Patent No.:** **US D444,249 S**

(45) **Date of Patent:** **** Jun. 26, 2001**

(54) **SURFACE CONFIGURATION OF A
TAILLIGHT FOR A VEHICLE**

(75) Inventors: **Wolfgang Papke**, Ulm; **Uwe Roith**,
Bad Liebenzell-Moettlingen; **Pieter
Ketele**, Elchingen, all of (DE)

(73) Assignee: **DaimlerChrysler AG**, Stuttgart (DE)

(**) Term: **14 Years**

(21) Appl. No.: **29/132,007**

(22) Filed: **Nov. 1, 2000**

Related U.S. Application Data

(62) Division of application No. 29/127,343, filed on Aug. 7,
2000.

(30) **Foreign Application Priority Data**

Feb. 7, 2000 (DE) 4 00 01 092

(51) **LOC (7) Cl.** **26-04**

(52) **U.S. Cl.** **D26/28**

(58) **Field of Search** D26/28-26, 139;
362/61, 80, 80.1, 83, 83.3, 326, 334, 335,
336, 337, 339

(56) **References Cited**

U.S. PATENT DOCUMENTS

D. 344,147 * 2/1994 Uchida D26/28
D. 364,239 * 11/1995 Sacco et al. D26/28
D. 370,985 * 6/1996 Sacco et al. D26/28

* cited by examiner

Primary Examiner—Marcus A. Jackson

(74) *Attorney, Agent, or Firm*—Evenson, McKeown,
Edwards & Lenahan, P.L.L.C.

(57) **CLAIM**

The ornamental design for a surface configuration of a
taillight for a vehicle, as shown and described.

DESCRIPTION

FIG. 1 is a perspective view of a surface configuration of a
taillight for a vehicle according to our novel design; and,
FIG. 2 is a side view of the surface configuration of a
taillight for a vehicle according to our novel design.

The dash lines included depict environment and are not part
of the claimed design.

1 Claim, 1 Drawing Sheet

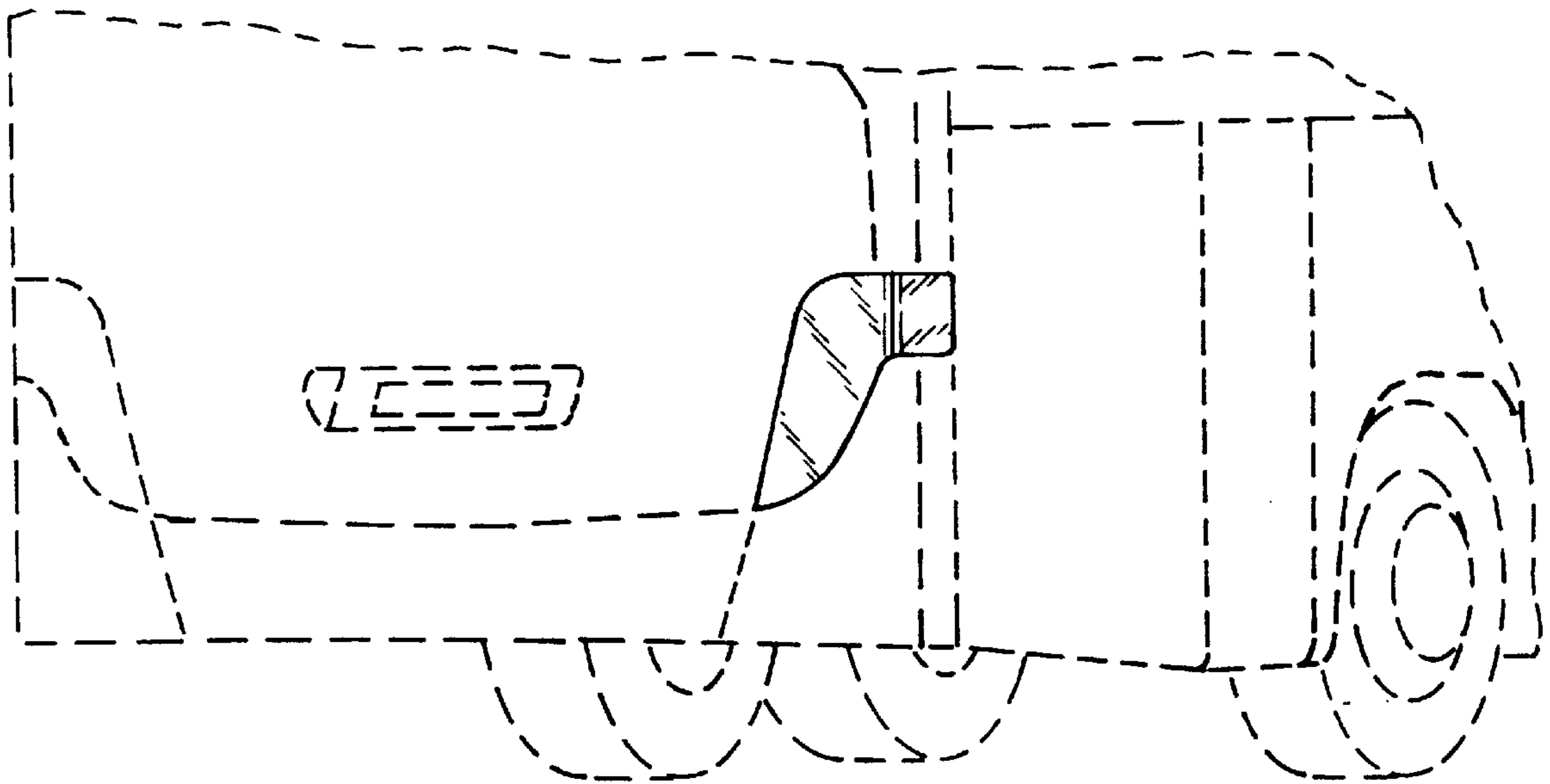


FIG. 1

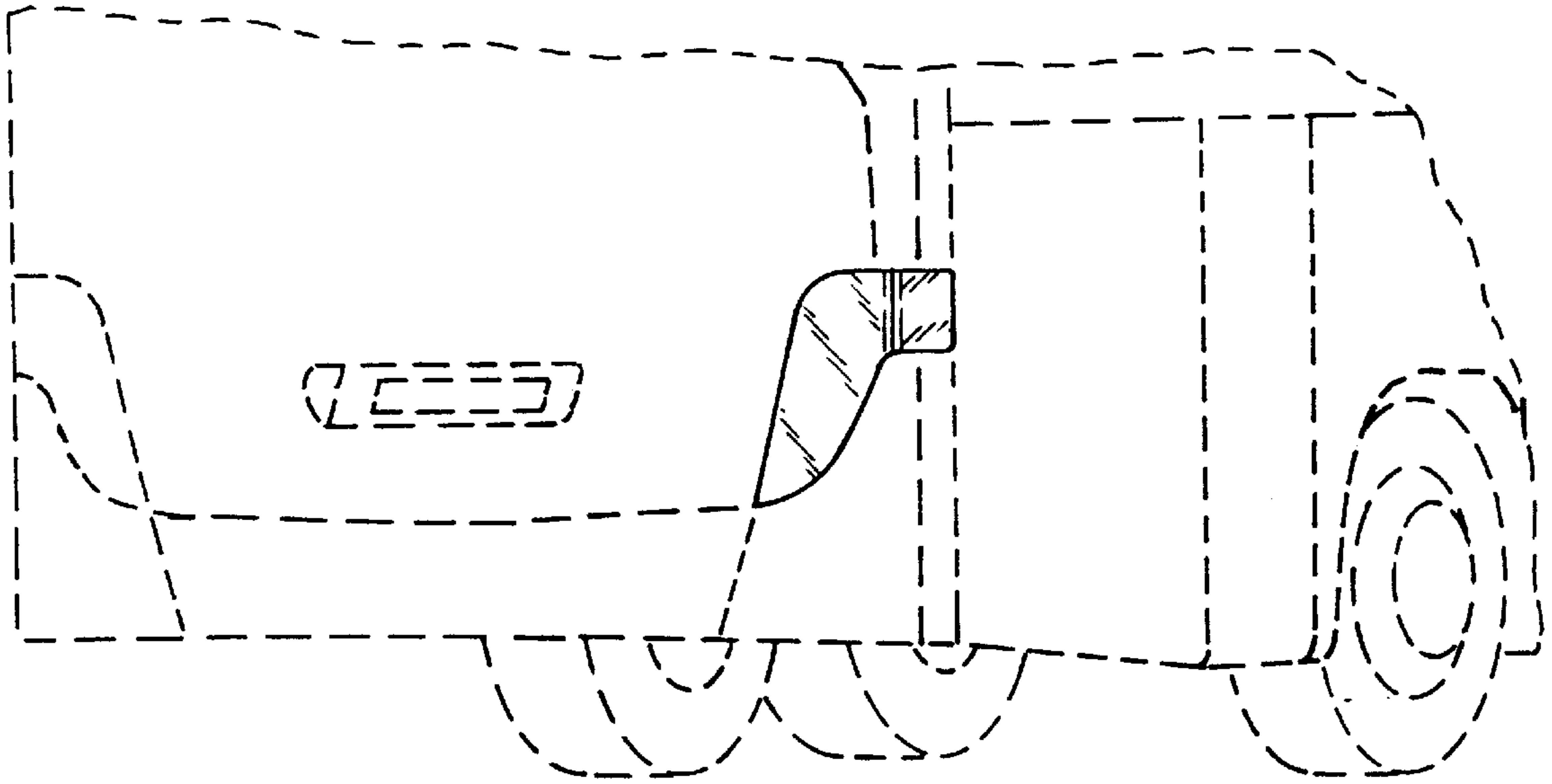


FIG. 2

