



US00D444243S

(12) **United States Design Patent**  
**Erwin**

(10) **Patent No.:** **US D444,243 S**

(45) **Date of Patent:** **\*\* Jun. 26, 2001**

(54) **FENCE CAP**

(75) **Inventor:** **Ronald D. Erwin**, Fayetteville, GA (US)

(73) **Assignee:** **Erwin Industries, Inc.**, Peachtree City, GA (US)

(\*\*) **Term:** **14 Years**

(21) **Appl. No.:** **29/125,525**

(22) **Filed:** **Jun. 26, 2000**

(51) **LOC (7) Cl.** ..... **25-01**

(52) **U.S. Cl.** ..... **D25/135; D25/164**

(58) **Field of Search** ..... D25/164, 121, D25/38, 42, 135; 256/59, 65

(56) **References Cited**

**U.S. PATENT DOCUMENTS**

- D. 413,393 \* 8/1999 Damratoski ..... D25/38
- D. 416,336 \* 11/1999 Turner et al. .... D25/135
- 3,991,981 \* 11/1976 Wu ..... 256/65

- 4,540,160 9/1985 Zanavich et al. .
- 4,602,765 7/1986 Loper et al. .
- 5,215,290 6/1993 Khalessi .
- 5,421,556 6/1995 Dodge et al. .
- 5,772,185 \* 6/1998 Pulsipher ..... 256/59

\* cited by examiner

*Primary Examiner*—D Clark

(74) *Attorney, Agent, or Firm*—Gardner Groff Mehrman & Josephic, P.C.

(57) **CLAIM**

I claim the ornamental design for a fence cap, as shown.

**DESCRIPTION**

FIG. 1 is a perspective view of a fence cap according to a preferred form of the invention.

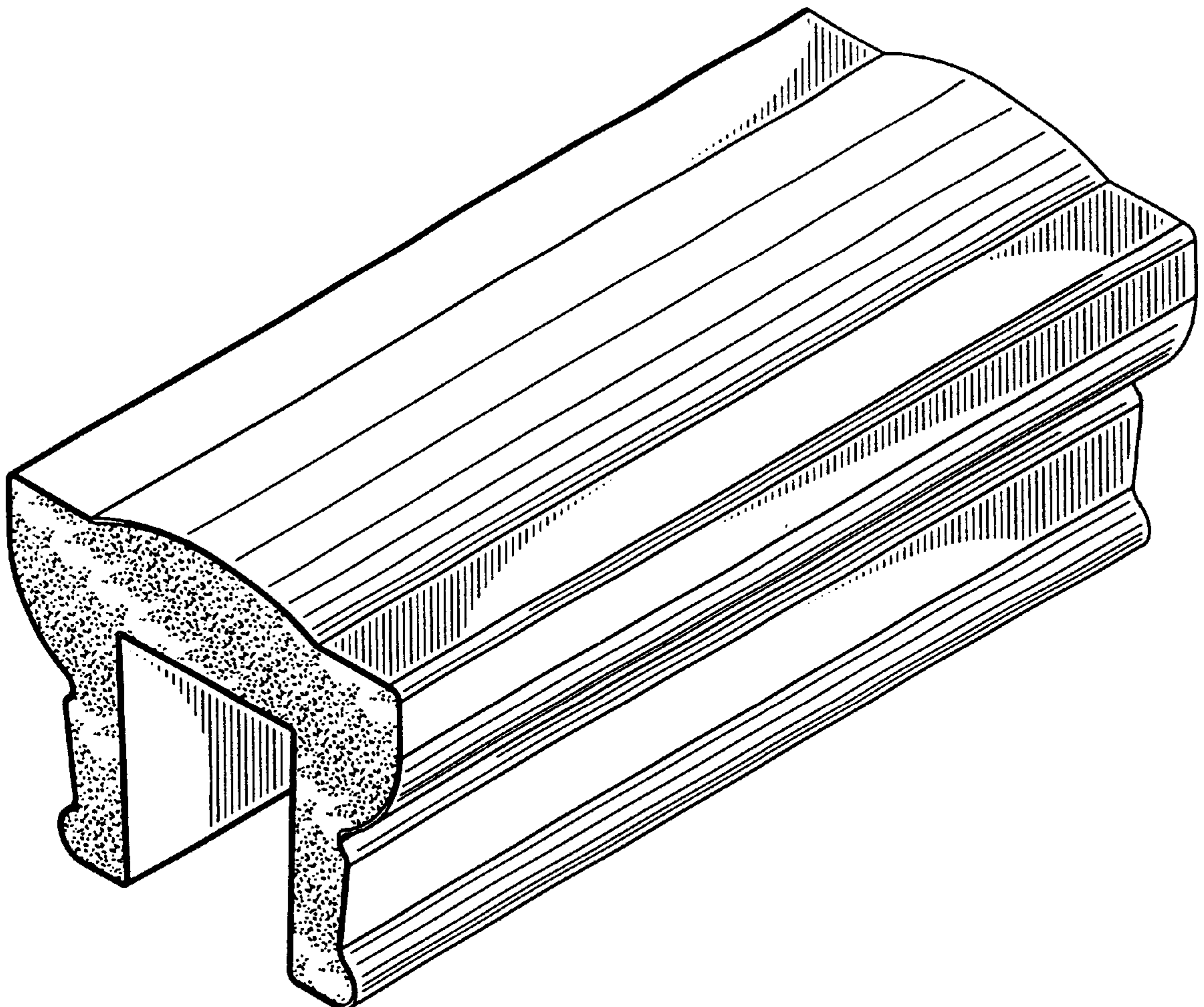
FIG. 2 is a side view of the fence cap of FIG. 1.

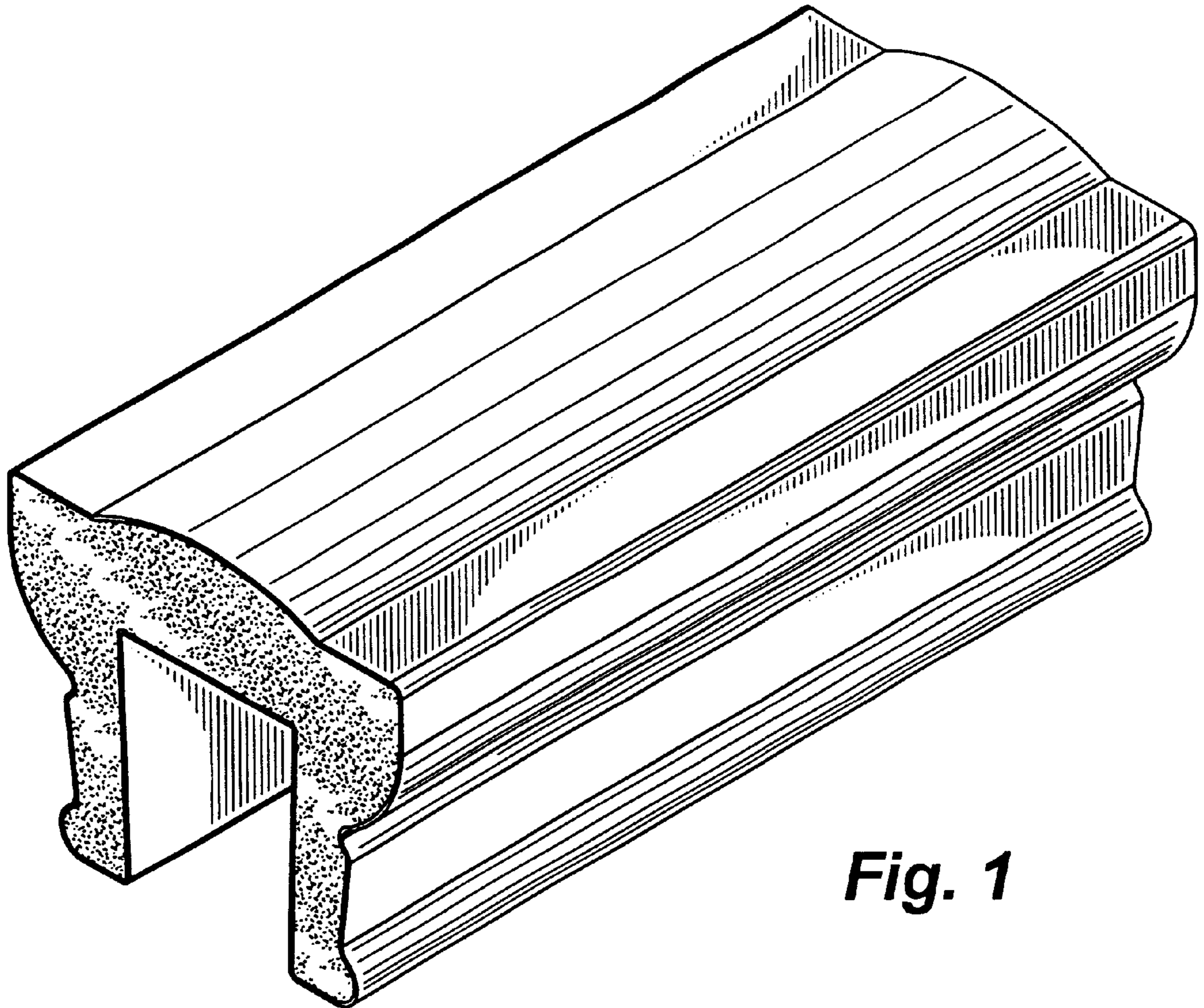
FIG. 3 is a front view of the fence cap of FIG. 1.

FIG. 4 is a top view of the fence cap of FIG. 1; and,

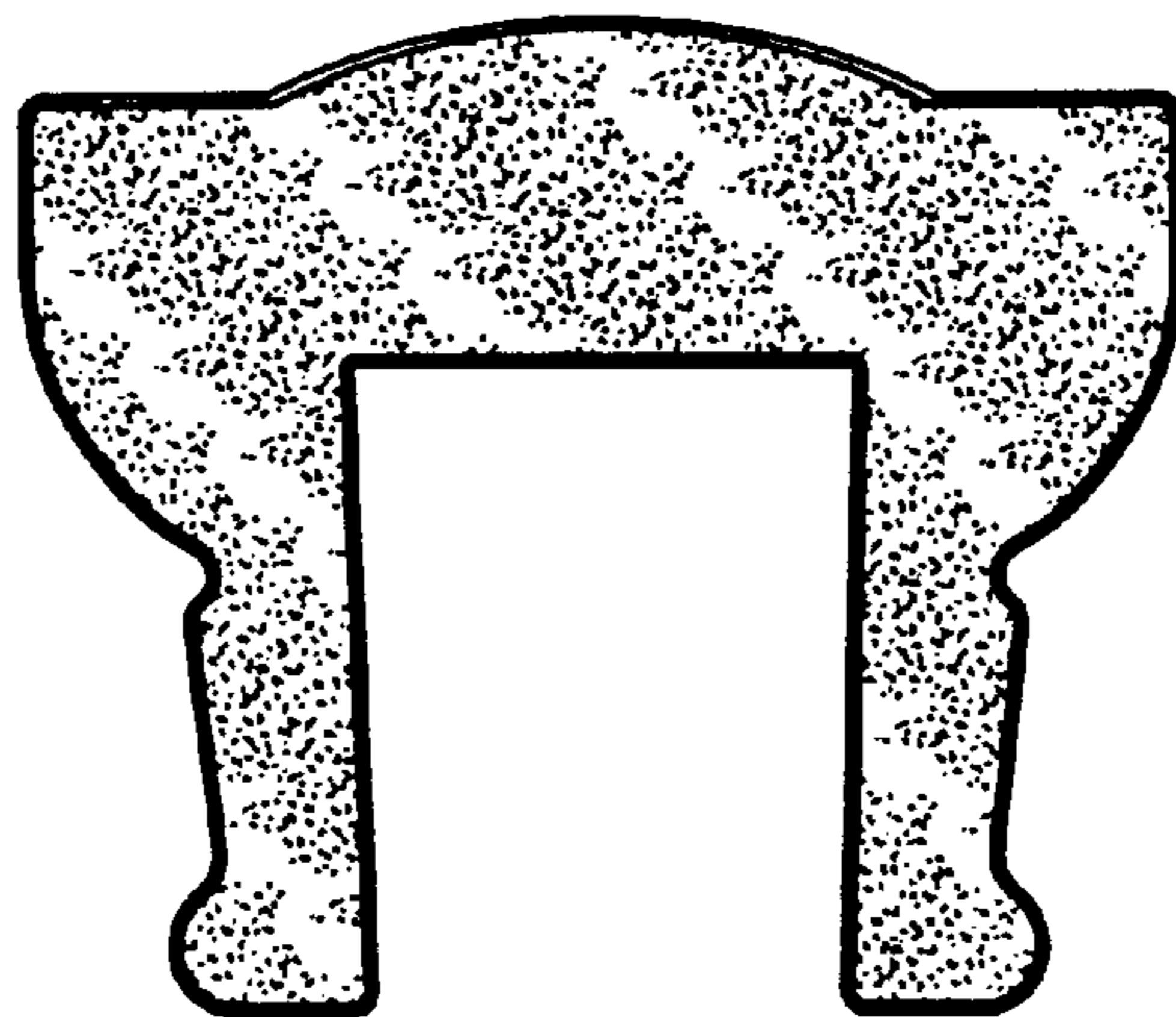
FIG. 5 is a bottom view of the fence cap of FIG. 1.

**1 Claim, 2 Drawing Sheets**

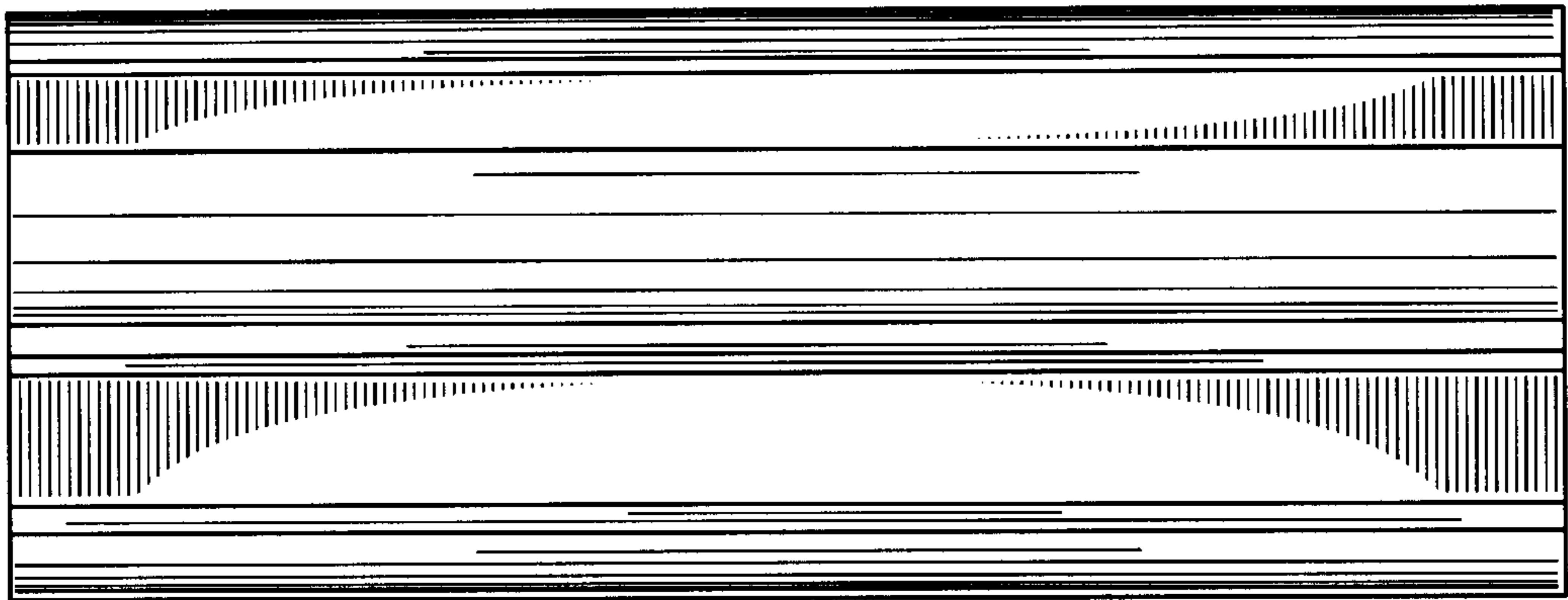




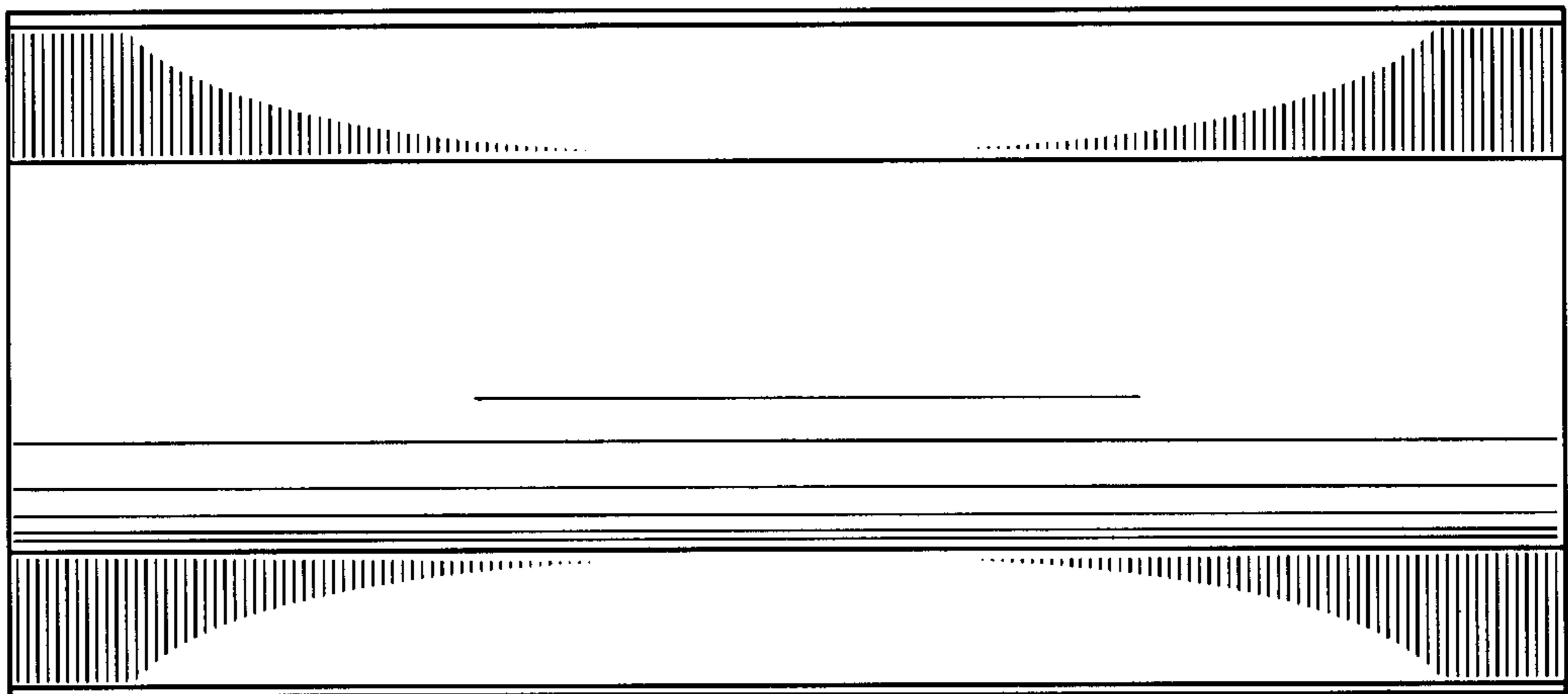
**Fig. 1**



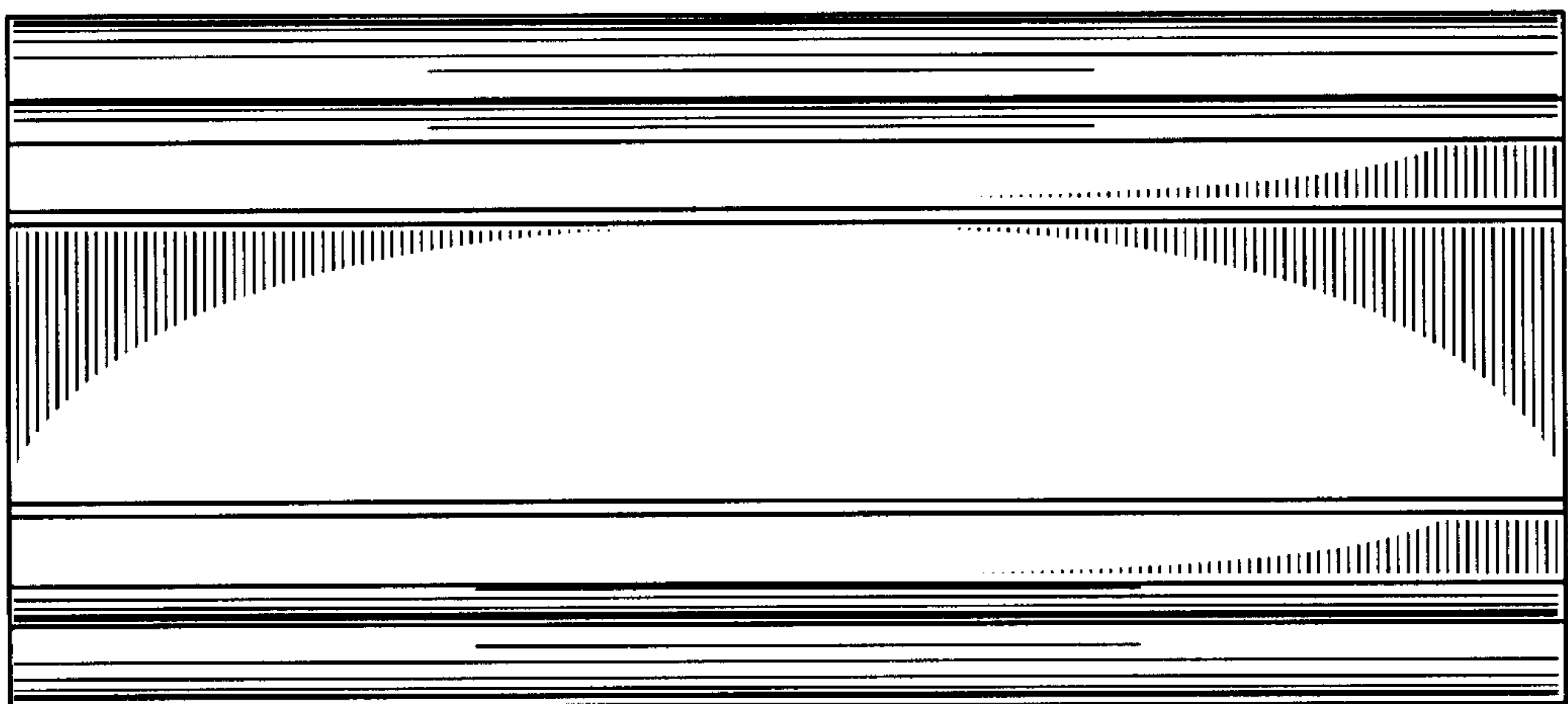
**Fig. 2**



**Fig. 3**



**Fig. 4**



**Fig. 5**