



US00D444241S

(12) **United States Design Patent**
Horgan, Jr.

(10) **Patent No.:** **US D444,241 S**

(45) **Date of Patent:** **** Jun. 26, 2001**

(54) **COMBINED DOOR AND HANDLE**

(75) **Inventor:** **William J. Horgan, Jr.**, New Smyrna Beach, FL (US)

(73) **Assignee:** **Blumcraft of Pittsburgh**, Pittsburgh, PA (US)

(**) **Term:** **14 Years**

(21) **Appl. No.:** **29/115,889**

(22) **Filed:** **Dec. 22, 1999**

(51) **LOC (7) Cl.** **25-02**

(52) **U.S. Cl.** **D25/48**

(58) **Field of Search** D25/48, 47, 49, D25/52, 60, 61, 199; 49/501, 504; 428/34, 44-46; 52/169.1, 169.6, 169.12, 302.1, 302.3, 302.7, 202, 211

(56) **References Cited**

U.S. PATENT DOCUMENTS

- D. 223,902 * 6/1972 Kuniansky D25/52
- D. 225,979 * 1/1973 Horgan, Jr. D25/48
- D. 226,556 * 3/1973 Horgan, Jr. D25/48

- D. 226,654 * 4/1973 Horgan, Jr. D25/48
- D. 229,551 * 12/1973 Horgan, Jr. D25/48
- D. 267,275 * 12/1982 Horgan, Jr. D25/48
- D. 267,276 12/1982 Horgan, Jr. .
- 3,683,555 * 8/1972 Kuniansky D25/48 X
- 4,366,974 1/1983 Horgan, Jr. .

* cited by examiner

Primary Examiner—Louis S. Zarfaz

Assistant Examiner—Robert A. Delehanty

(74) *Attorney, Agent, or Firm*—Paul & Paul

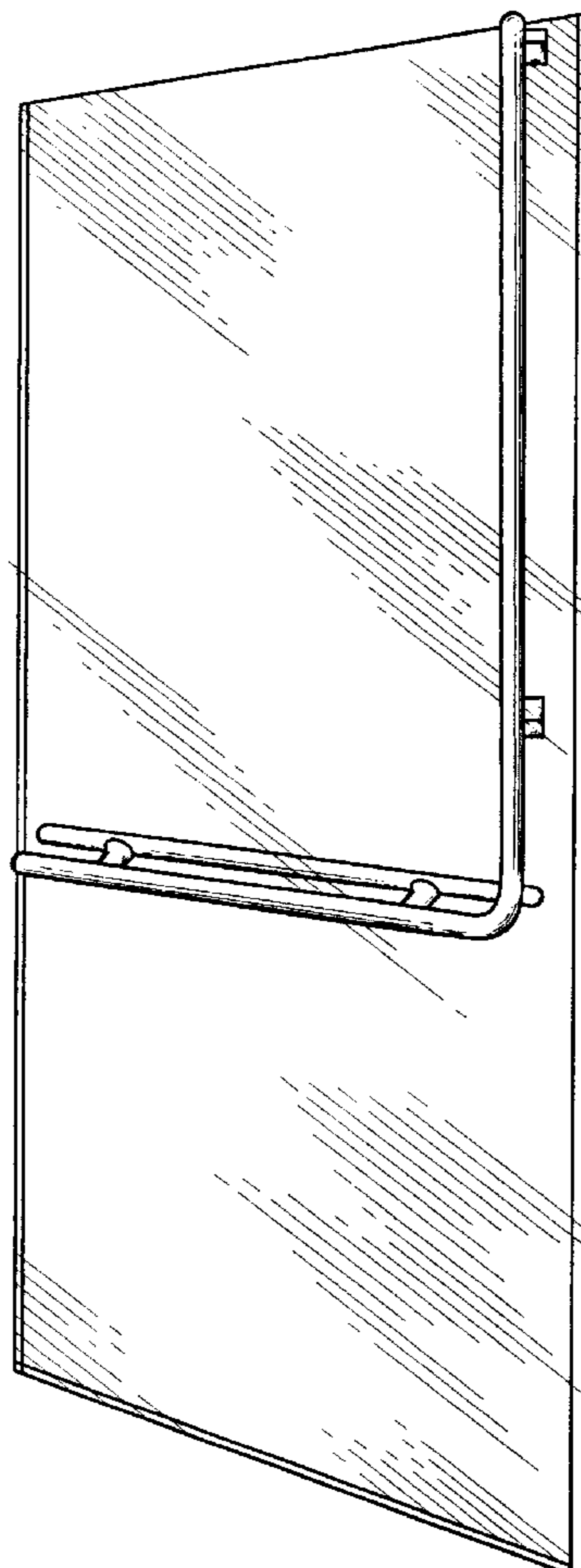
(57) **CLAIM**

The ornamental design for a combined door and handle, as illustrated.

DESCRIPTION

FIG. 1 is perspective view of a combined door and handle showing my new design;
 FIG. 2 is an enlarged front elevational view thereof;
 FIG. 3 is an enlarged right side elevational view thereof;
 FIG. 4 is an enlarged left side elevational view thereof;
 FIG. 5 is an enlarged top plan view thereof; and,
 FIG. 6 is an enlarged bottom plan view thereof.

1 Claim, 2 Drawing Sheets



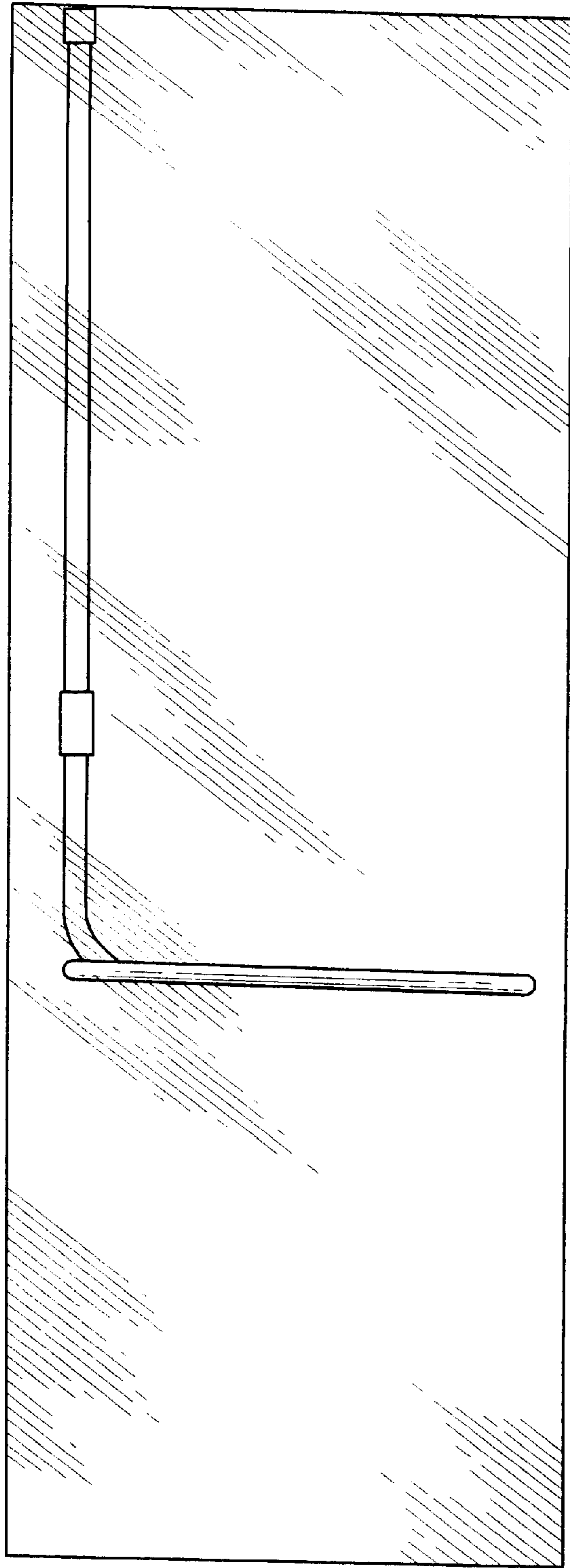


FIG. 2

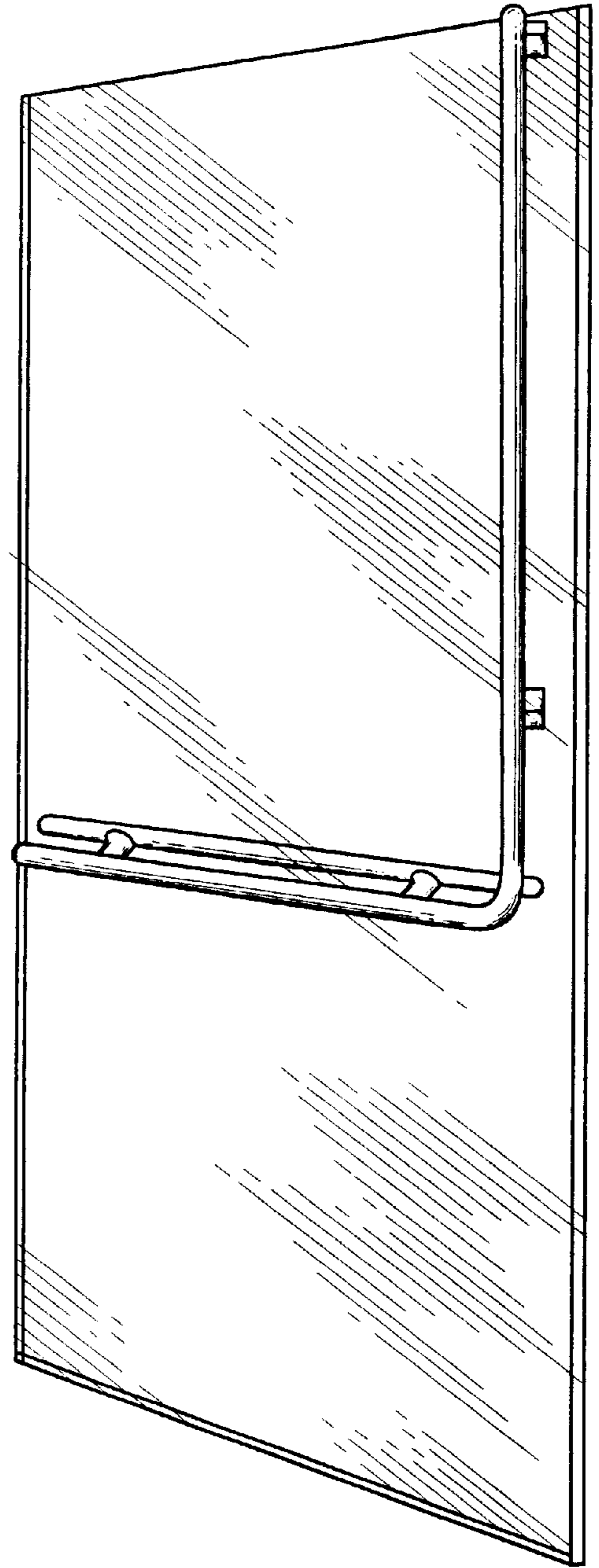


FIG. 1

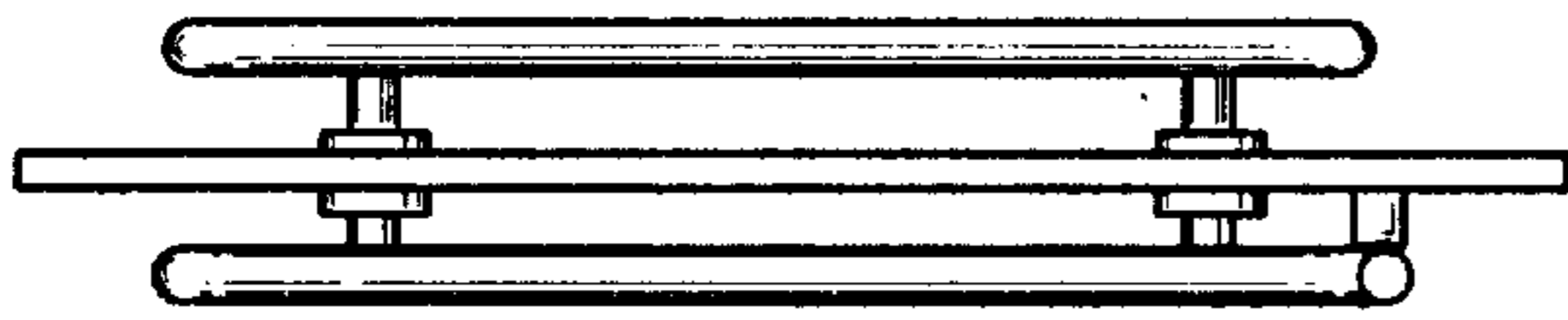


FIG. 5

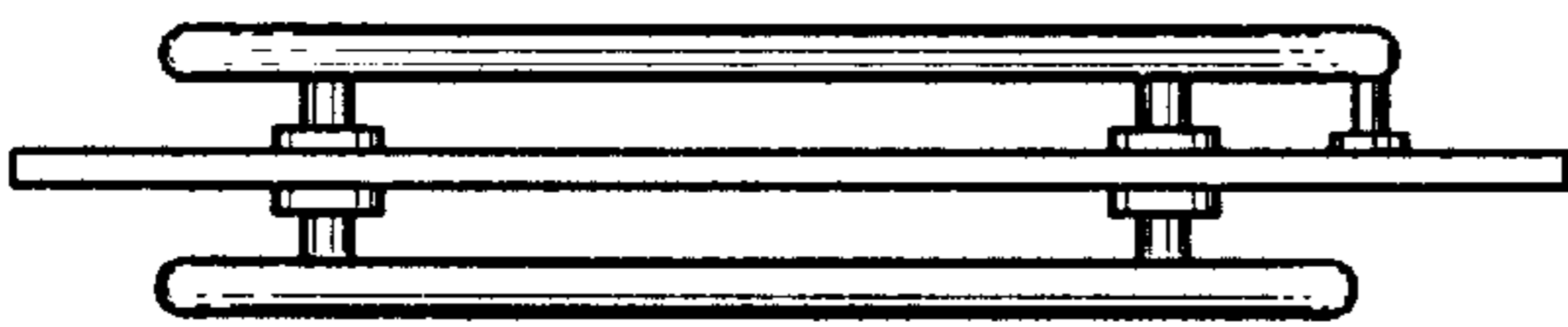


FIG. 6

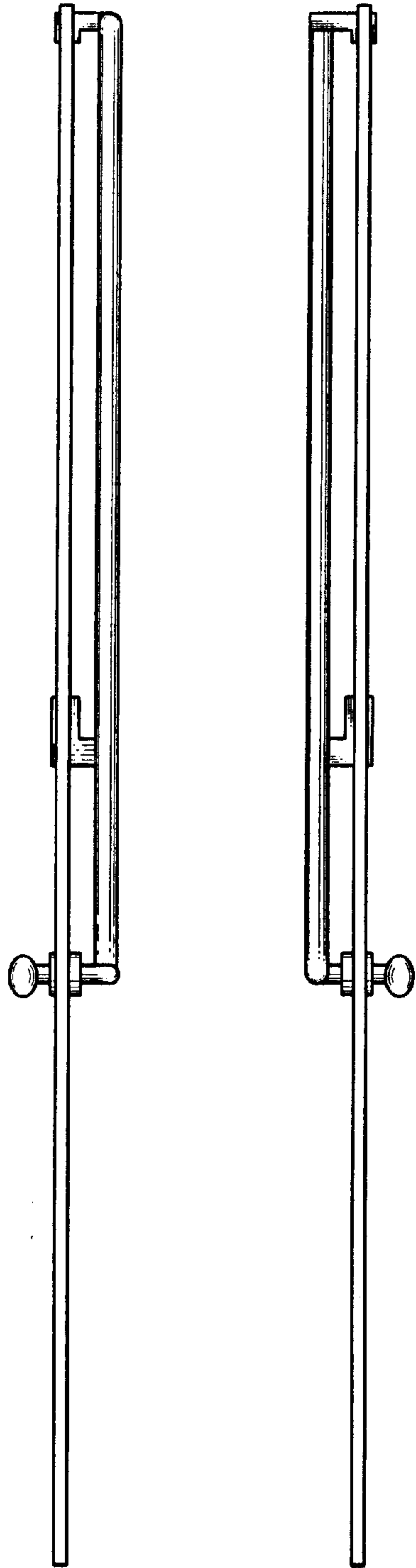


FIG. 4

FIG. 3