



US00D444240S

(12) **United States Design Patent**
Bautista, Jr.

(10) **Patent No.:** **US D444,240 S**

(45) **Date of Patent:** **** Jun. 26, 2001**

(54) **COMBINED THERAPEUTIC MASSAGE PAD AND WRAP**

5,334,131 8/1994 Omandam et al. .
5,575,761 11/1996 Hajianpour .
5,902,256 5/1999 Benaron .

(76) Inventor: **Luis D Bautista, Jr.**, P.O. Box 872, La Quinta, CA (US) 92253

* cited by examiner

(**) Term: **14 Years**

Primary Examiner—Stella Reid

(21) Appl. No.: **29/132,507**

(57) **CLAIM**

(22) Filed: **Nov. 10, 2000**

The ornamental design for a combined therapeutic massage pad and wrap, as shown and described.

(51) **LOC (7) Cl.** **24-04**

DESCRIPTION

(52) **U.S. Cl.** **D24/206**

(58) **Field of Search** D24/206; 607/96, 607/98, 99, 108, 109; 219/527, 528, 529

FIG. 1 is a front elevational view of the combined therapeutic massage pad and wrap of the present invention; FIG. 2 is a rear elevational view of the combined therapeutic massage pad and wrap of FIG. 1; FIG. 3 is a left side elevational view of the combined therapeutic massage pad and wrap of FIG. 1; FIG. 4 is a right side elevational view of the combined therapeutic massage pad and wrap of FIG. 1; FIG. 5 is a top plan view of the combined therapeutic massage pad and wrap of FIG. 1; and, FIG. 6 is a bottom plan view of the combined therapeutic massage pad and wrap of FIG. 1.

(56) **References Cited**

U.S. PATENT DOCUMENTS

D. 274,556	7/1984	Muller et al. .	
D. 343,903	* 2/1994	Perteet	D24/206
D. 408,542	* 4/1999	Hoover, Jr.	D24/206
D. 438,974	* 3/2001	Crapps	D24/206
2,590,212	* 3/1952	Samuels	604/291
3,993,053	11/1976	Gossan .	
4,396,011	8/1983	Mack et al. .	
5,314,456	* 5/1994	Cohen	607/109

1 Claim, 3 Drawing Sheets

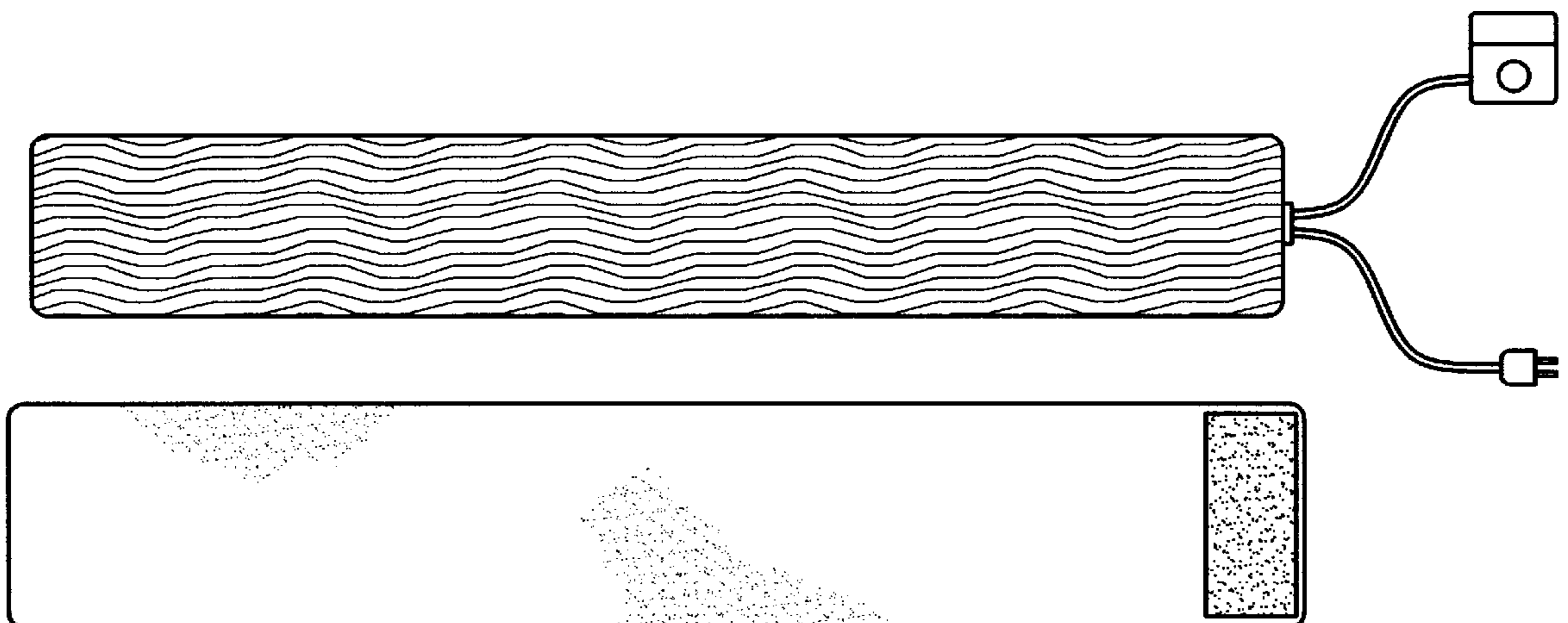


FIG.1

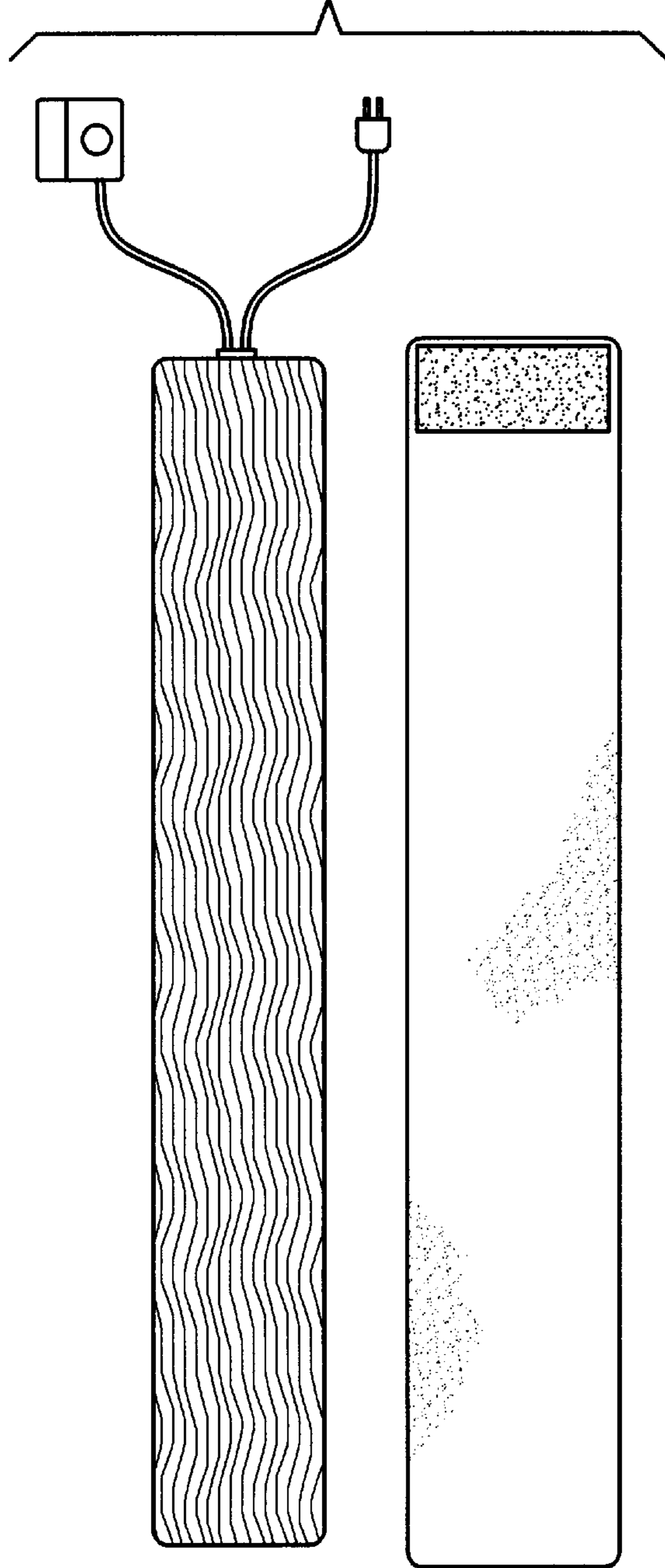
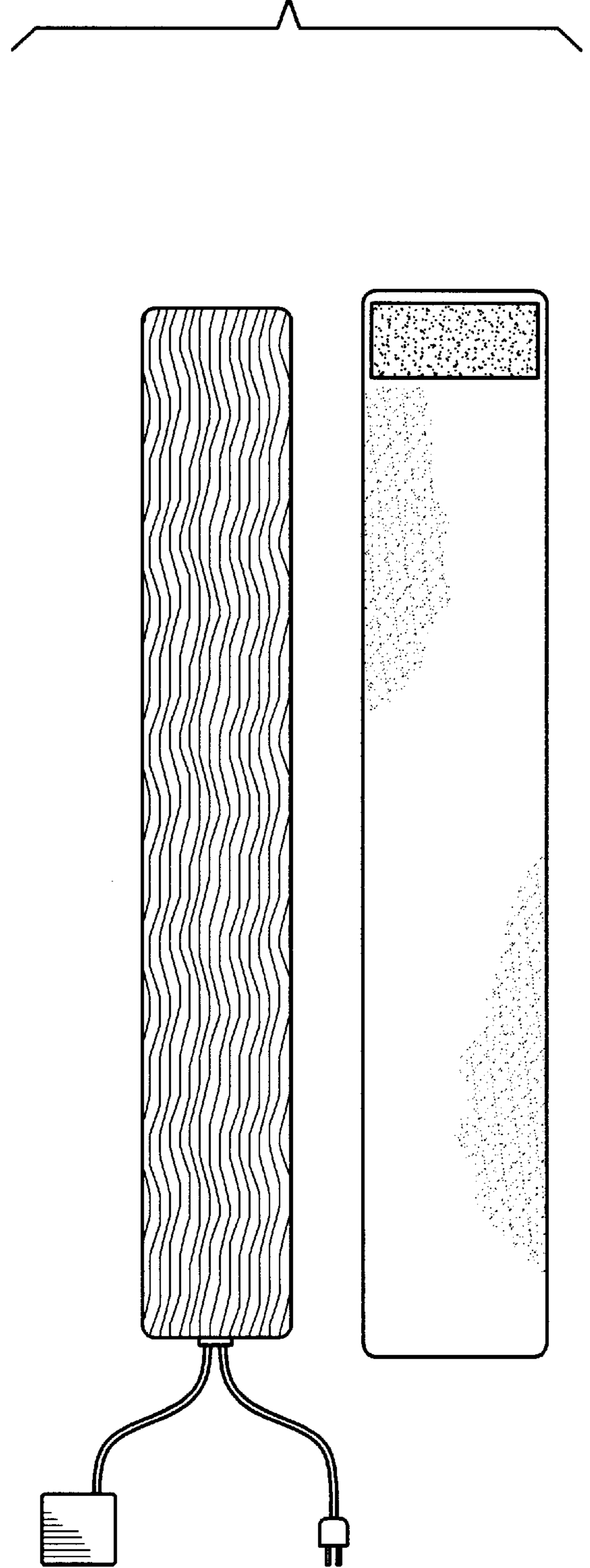


FIG.2



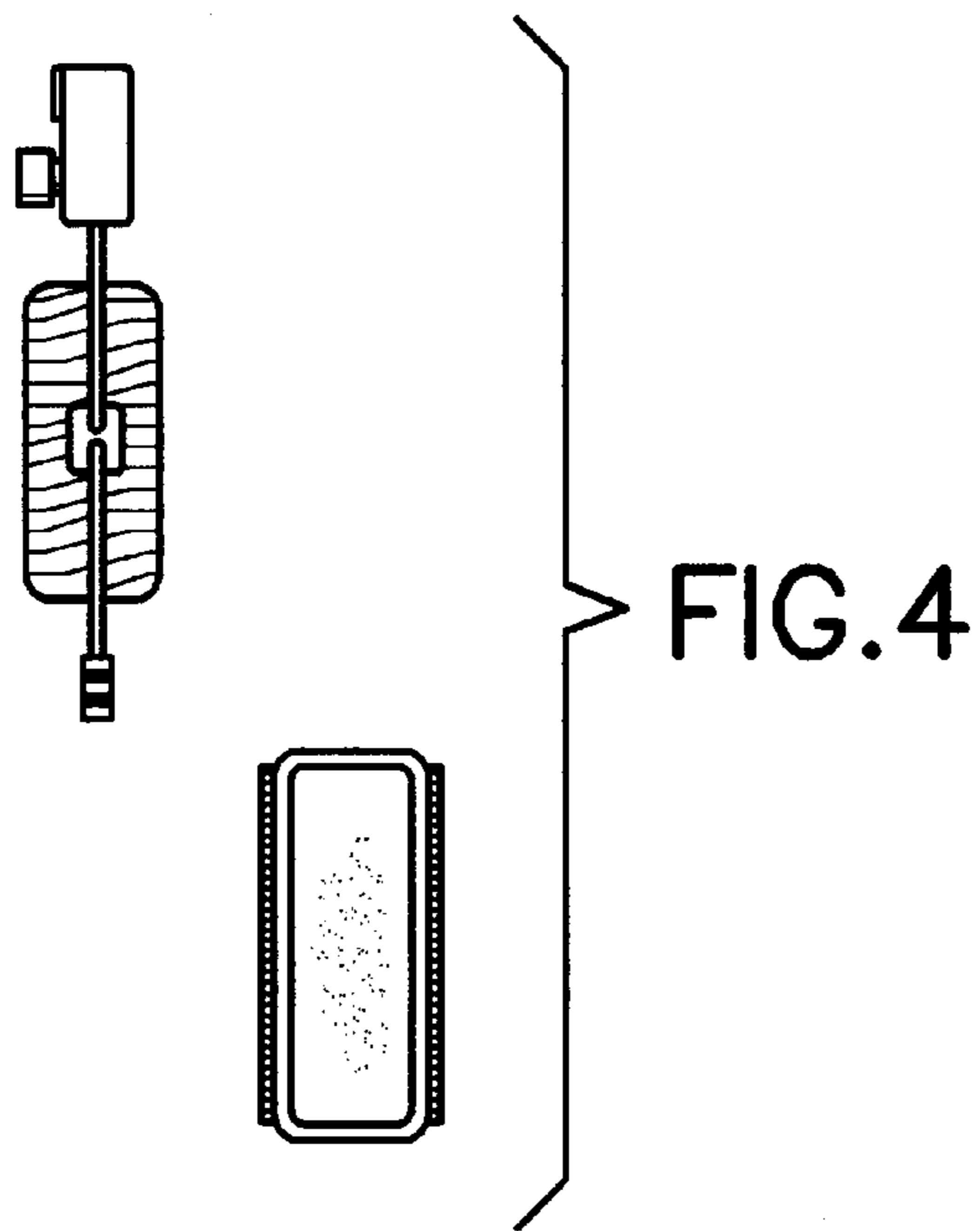
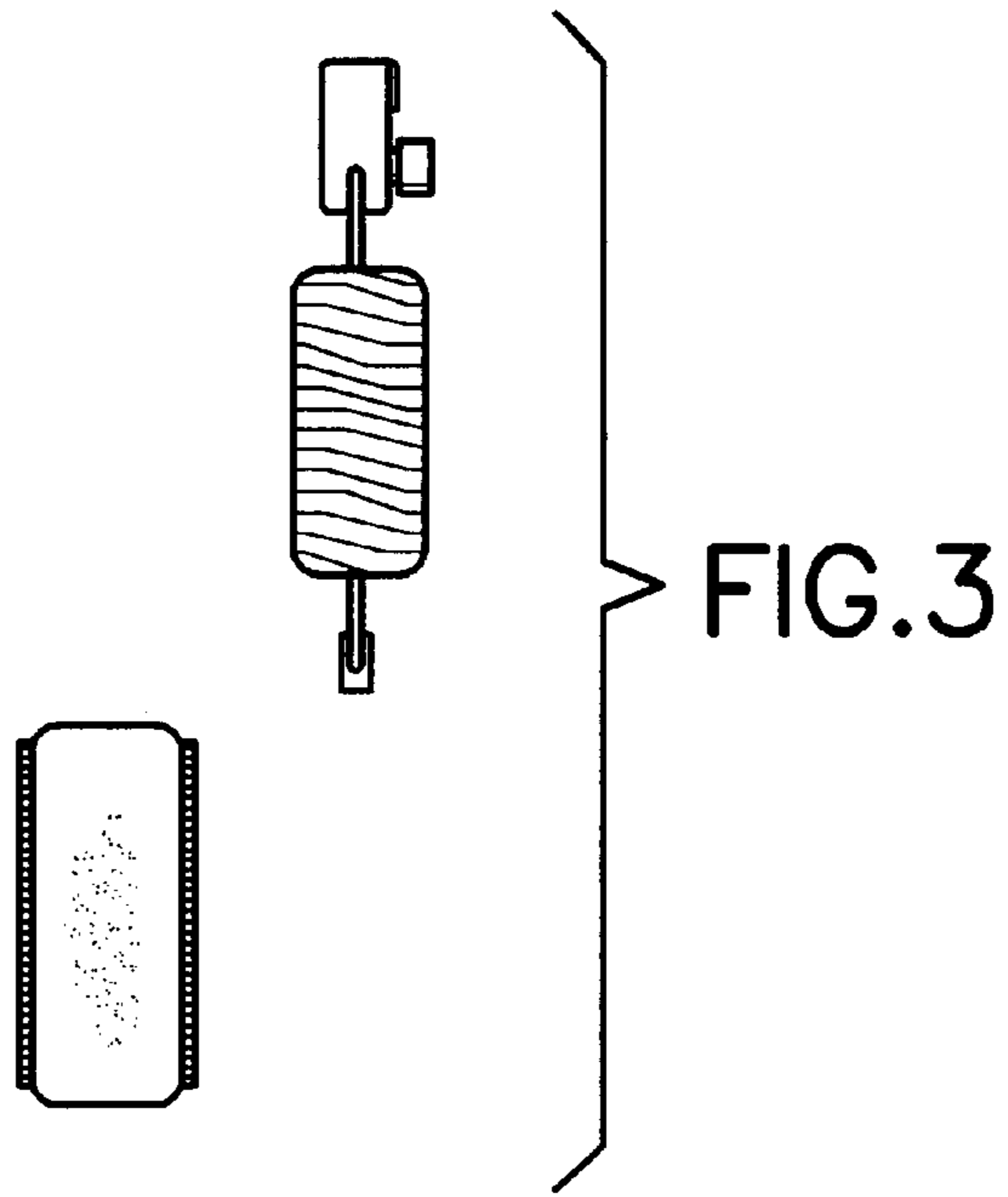


FIG. 5

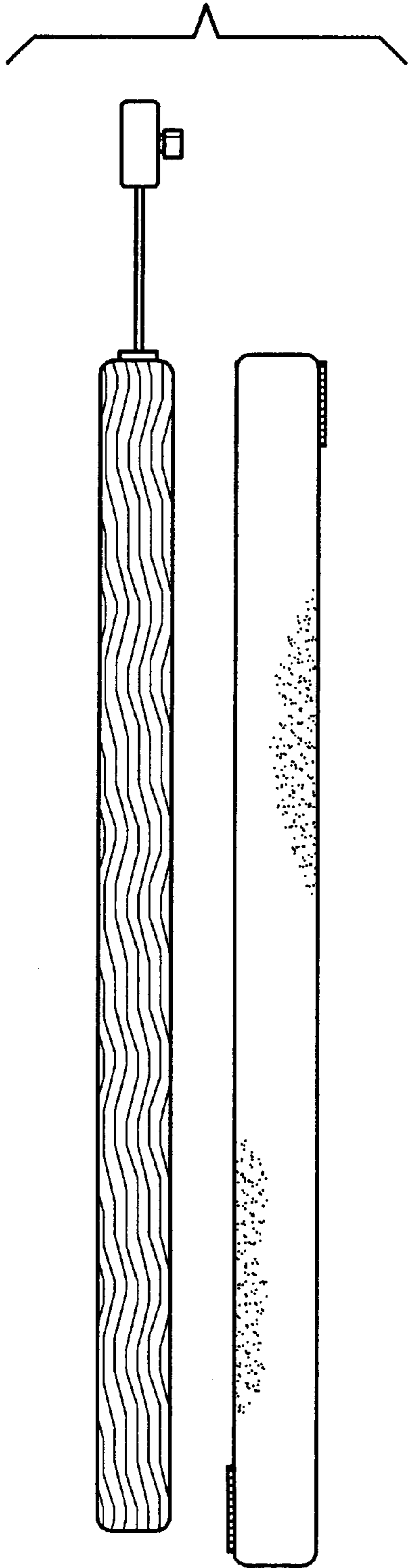


FIG. 6

