



US00D444235S

(12) **United States Design Patent**  
**Roberts et al.**

(10) **Patent No.:** **US D444,235 S**

(45) **Date of Patent:** **\*\* Jun. 26, 2001**

(54) **BLOOD GLUCOSE MONITORING SYSTEM**

(75) Inventors: **Neil Roberts**, Pleasanton; **Max Yoshimoto**; **Nicolas Alexis Denhez**, both of San Francisco, all of CA (US); **Mitch Webster**, Gladstone, OR (US); **Zita S. Thorpe**, Campbell, CA (US)

(73) Assignee: **Lifescan, Inc.**, Milpitas, CA (US)

(\*\*) Term: **14 Years**

(21) Appl. No.: **29/126,725**

(22) Filed: **Jul. 21, 2000**

(51) **LOC (7) Cl.** ..... **24-01**

(52) **U.S. Cl.** ..... **D24/169**

(58) **Field of Search** ..... D24/169, 186; 600/583, 368, 309, 316, 319, 322; 422/56

(56) **References Cited**

**U.S. PATENT DOCUMENTS**

- D. 323,893 \* 2/1992 Arioka ..... D24/169
- D. 371,198 \* 6/1996 Savage et al. .... D24/169
- D. 392,740 3/1998 Yung et al. .... D24/169

- D. 411,621 \* 6/1999 Eisenbarth et al. .... D24/169
- D. 417,504 \* 12/1999 Love et al. .... D24/169
- D. 423,102 \* 4/2000 Mertenat ..... D24/169
- 4,685,059 \* 8/1987 Yamamoto ..... 422/82.05
- 4,916,441 \* 4/1990 Gombrich ..... 345/169

\* cited by examiner

*Primary Examiner*—Stella Reid

(57) **CLAIM**

The ornamental design for a blood glucose monitoring system, as shown and described.

**DESCRIPTION**

FIG. 1 is a perspective view, as seen from the top, front, and right side, of the blood glucose monitoring system, showing our new design;

FIG. 2 is a top plan view thereof;

FIG. 3 is a right side elevational view thereof;

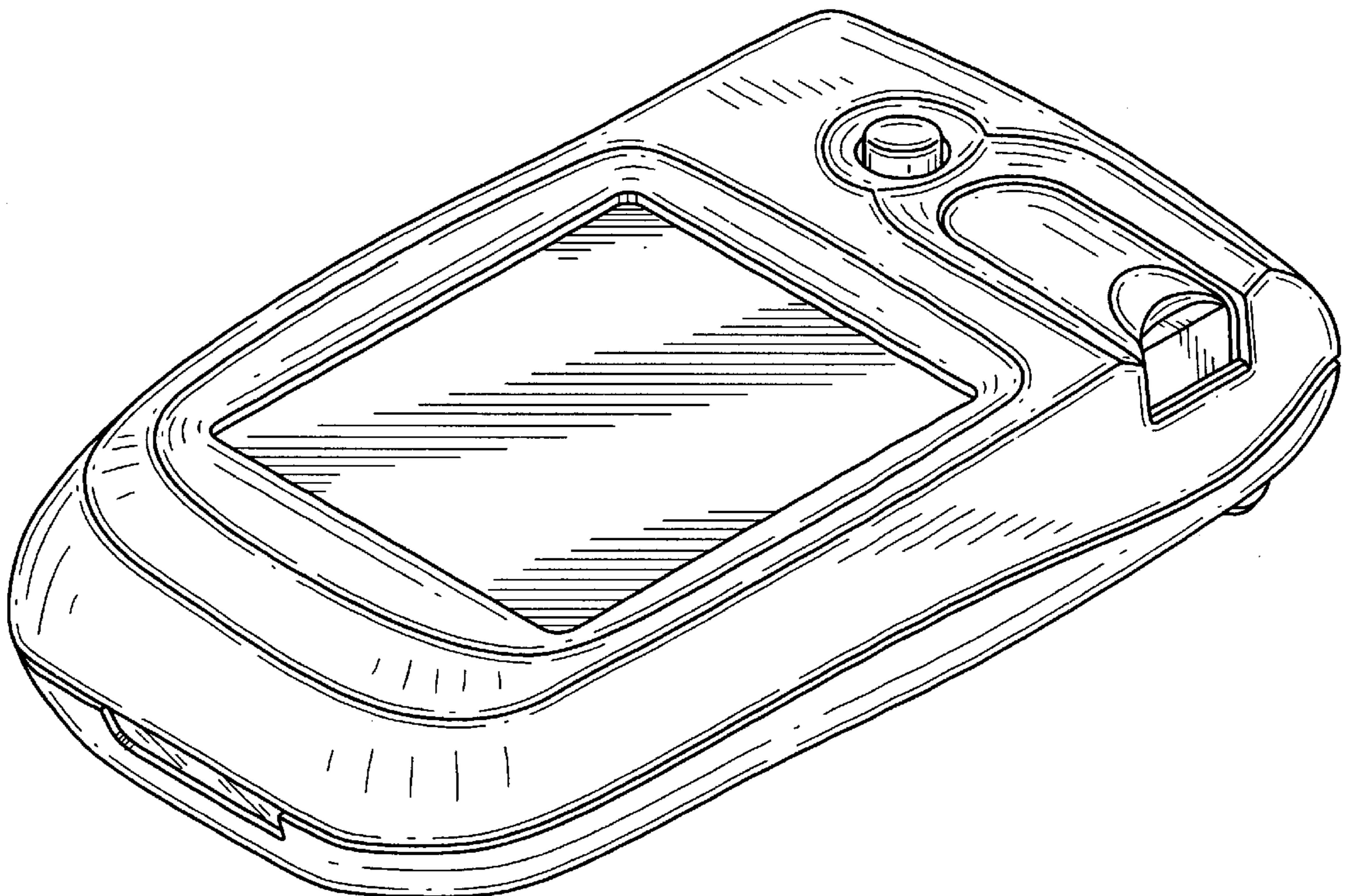
FIG. 4 is a bottom plan view thereof;

FIG. 5 is a left side elevational view thereof;

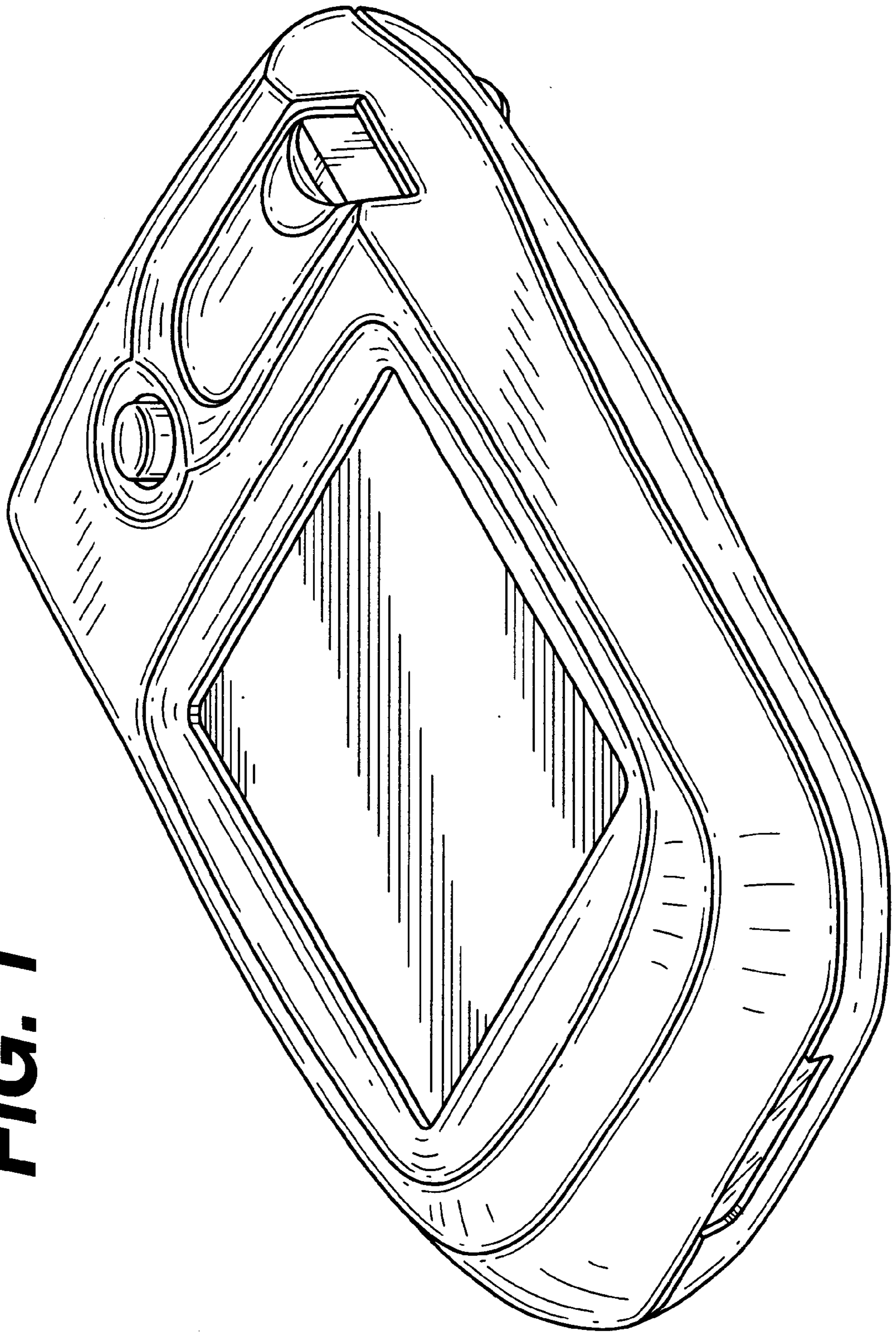
FIG. 6 is a rear elevational view thereof; and,

FIG. 7 is a front elevational view thereof.

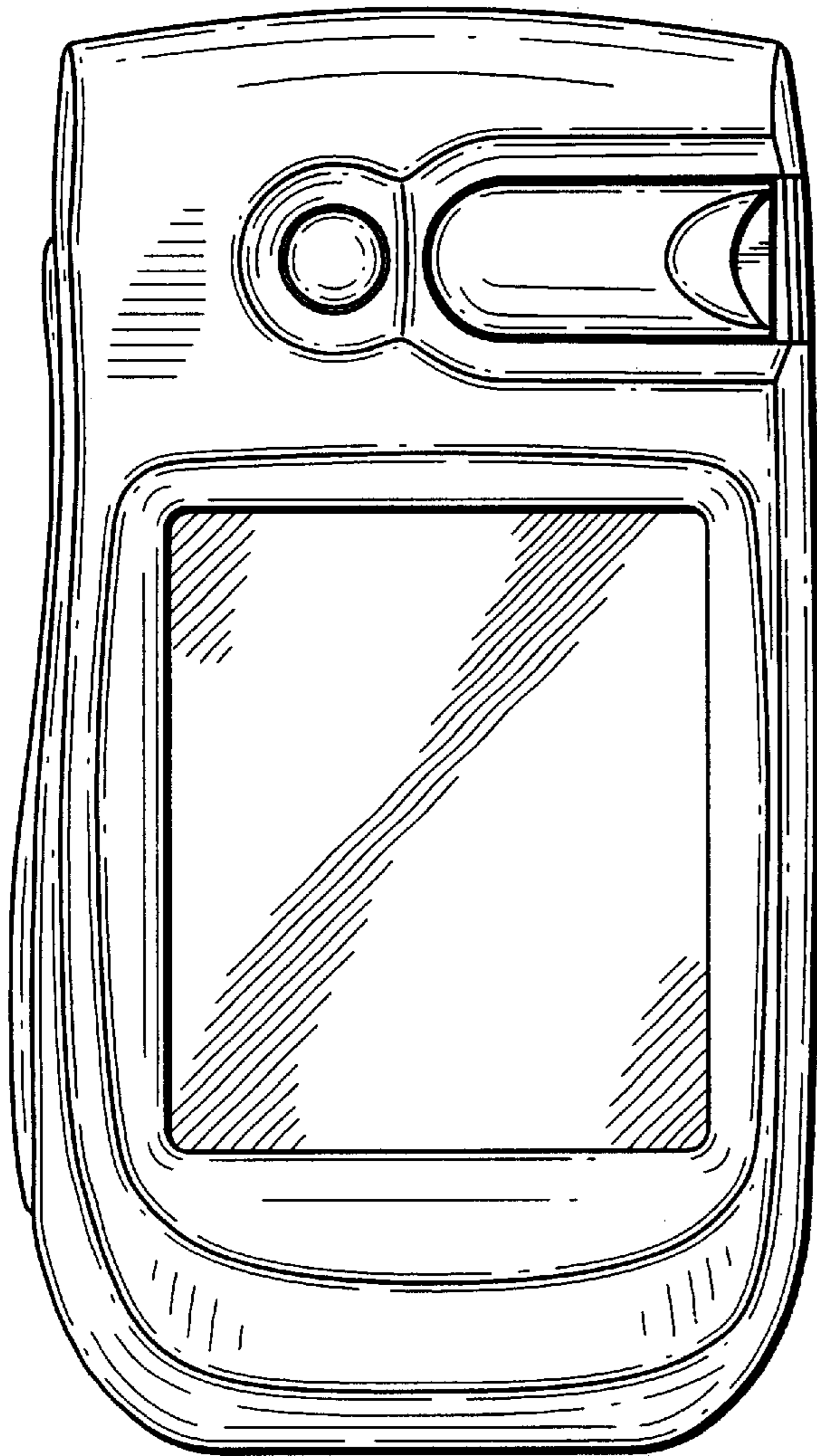
**1 Claim, 4 Drawing Sheets**



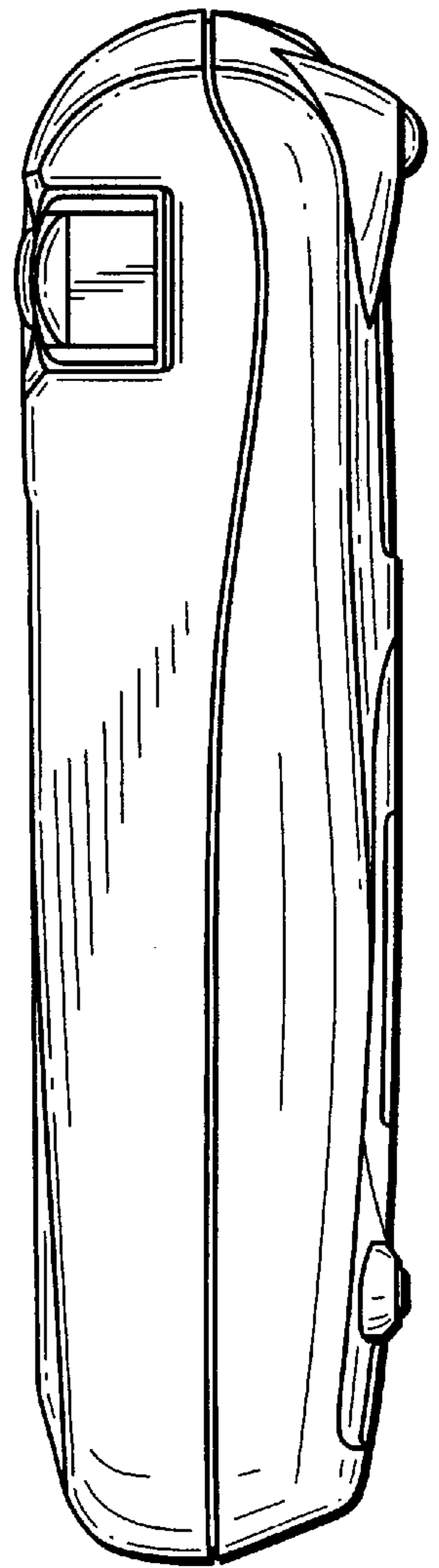
**FIG. 1**



**FIG. 2**

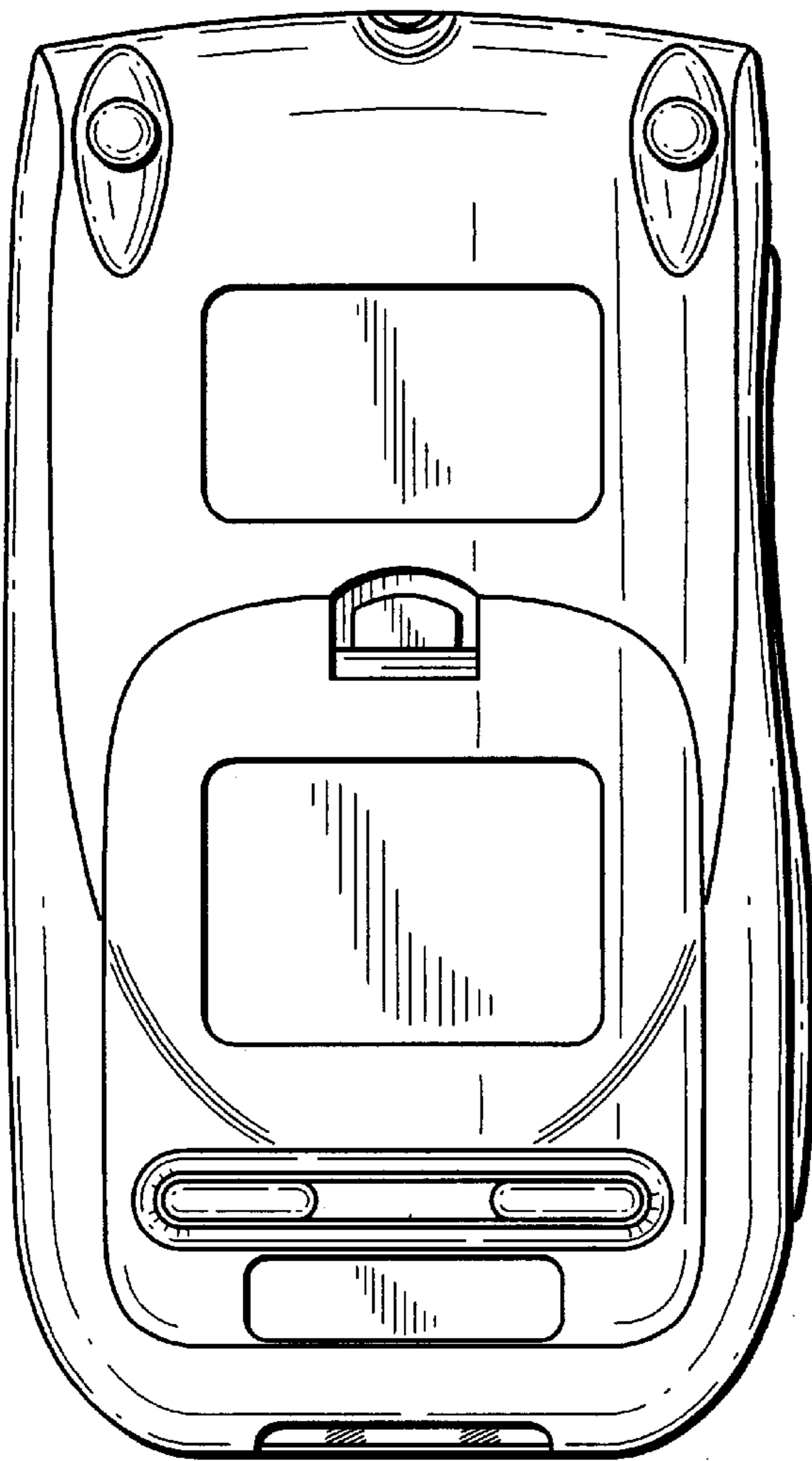


**FIG. 3**

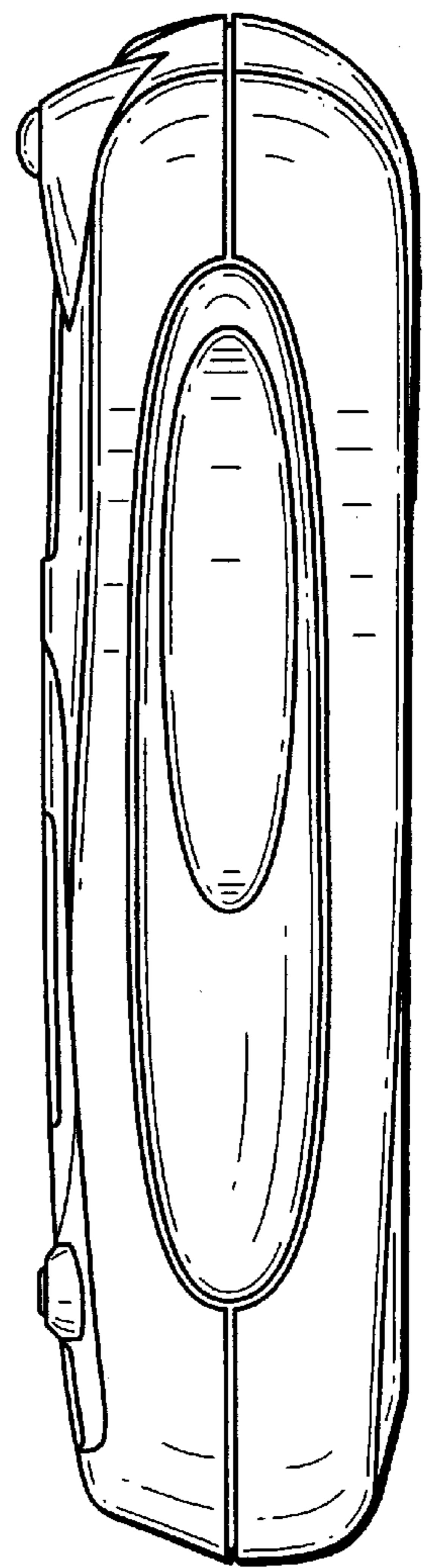




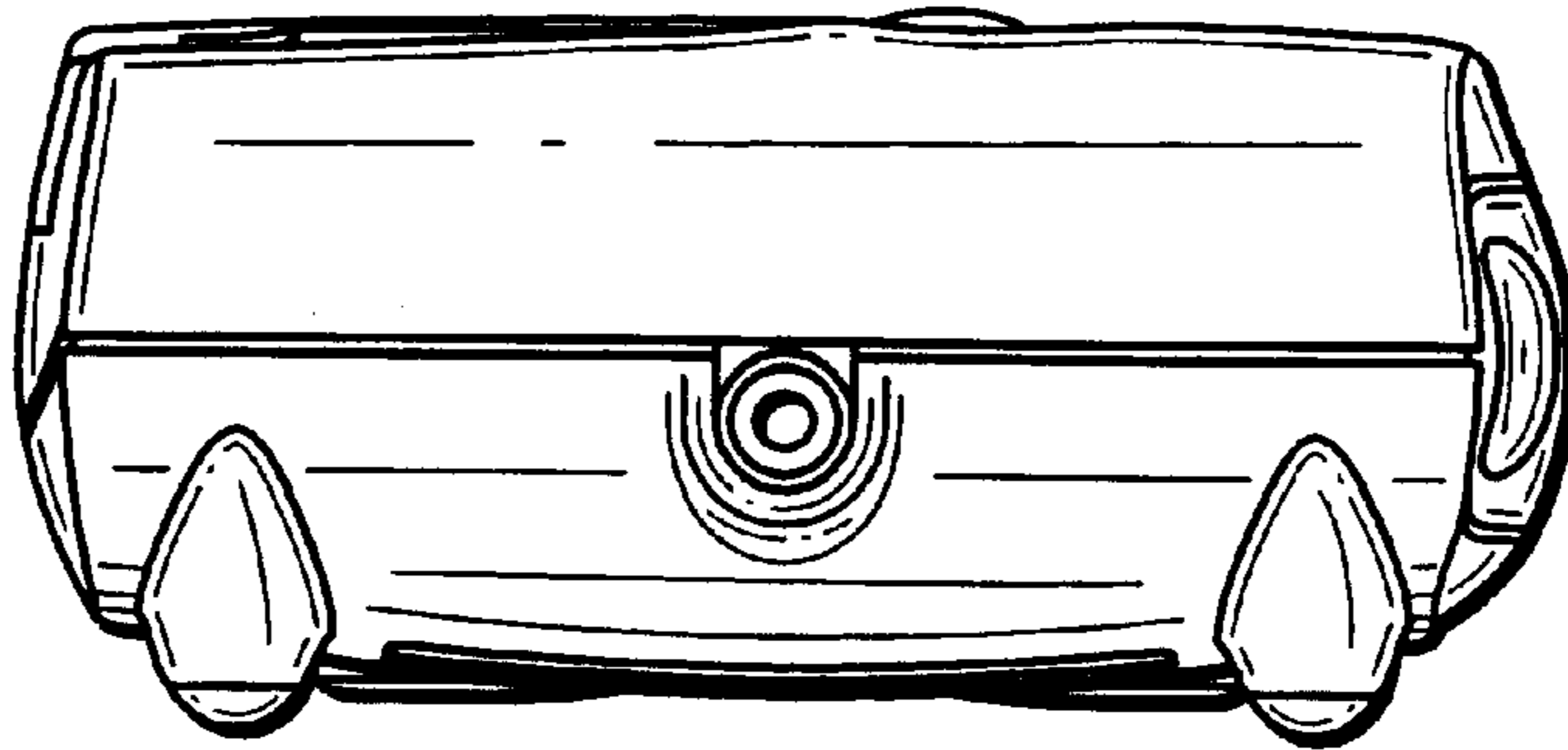
**FIG. 4**



**FIG. 5**



**FIG. 6**



**FIG. 7**

