



US00D444226S

(12) **United States Design Patent**
Geert-Jensen et al.

(10) **Patent No.:** **US D444,226 S**

(45) **Date of Patent:** **** Jun. 26, 2001**

(54) **INHALER**

(75) Inventors: **Anders Geert-Jensen**, Højbjerg; **Mikal Christian Jørgensen**, Århus C, both of (DK)

(73) Assignee: **Novo Nordisk A/S**, Bagsvaerd (DK)

(**) Term: **14 Years**

(21) Appl. No.: **29/116,045**

(22) Filed: **Dec. 23, 1999**

(30) **Foreign Application Priority Data**

Jun. 24, 1999 (DK) 1999 00757

(51) **LOC (7) Cl.** **29-02**

(52) **U.S. Cl.** **D24/110**

(58) **Field of Search** D24/110; 128/203.14, 128/203.15, 200.23, 205.13, 200.21, 203.13, 200.14, 200.16, 200.11

(56) **References Cited**

U.S. PATENT DOCUMENTS

D. 363,775 * 10/1995 Hobbs D24/110

D. 417,271 * 11/1999 Denyer et al. D24/110

D. 417,731 * 12/1999 Butler et al. D24/110

* cited by examiner

Primary Examiner—Ian Simmons

(74) *Attorney, Agent, or Firm*—Steve T. Zelson, Esq.; Reza Green, Esq.

(57) **CLAIM**

We claim the ornamental design for an inhaler, as shown and described.

DESCRIPTION

FIG. 1 is a perspective view showing the front, the left side, and the top of an inhaler showing our new design;

FIG. 2 is a perspective view showing the back, the left side and the top thereof;

FIG. 3 is a front view thereof;

FIG. 4 is a left side view thereof;

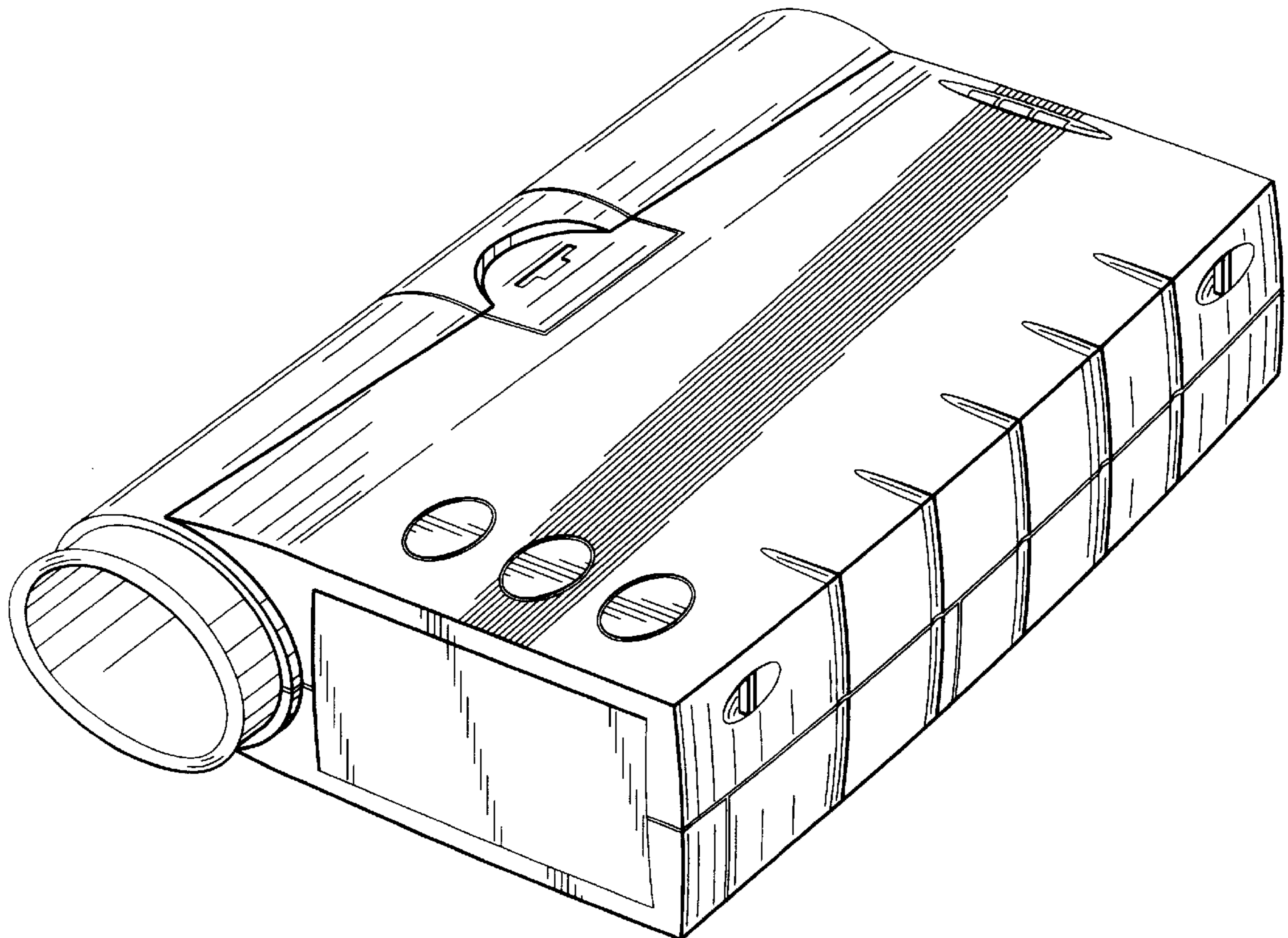
FIG. 5 is a top plan view thereof;

FIG. 6 is a review view thereof;

FIG. 7 is a right side view thereof; and,

FIG. 8 is a bottom plan view thereof.

1 Claim, 4 Drawing Sheets



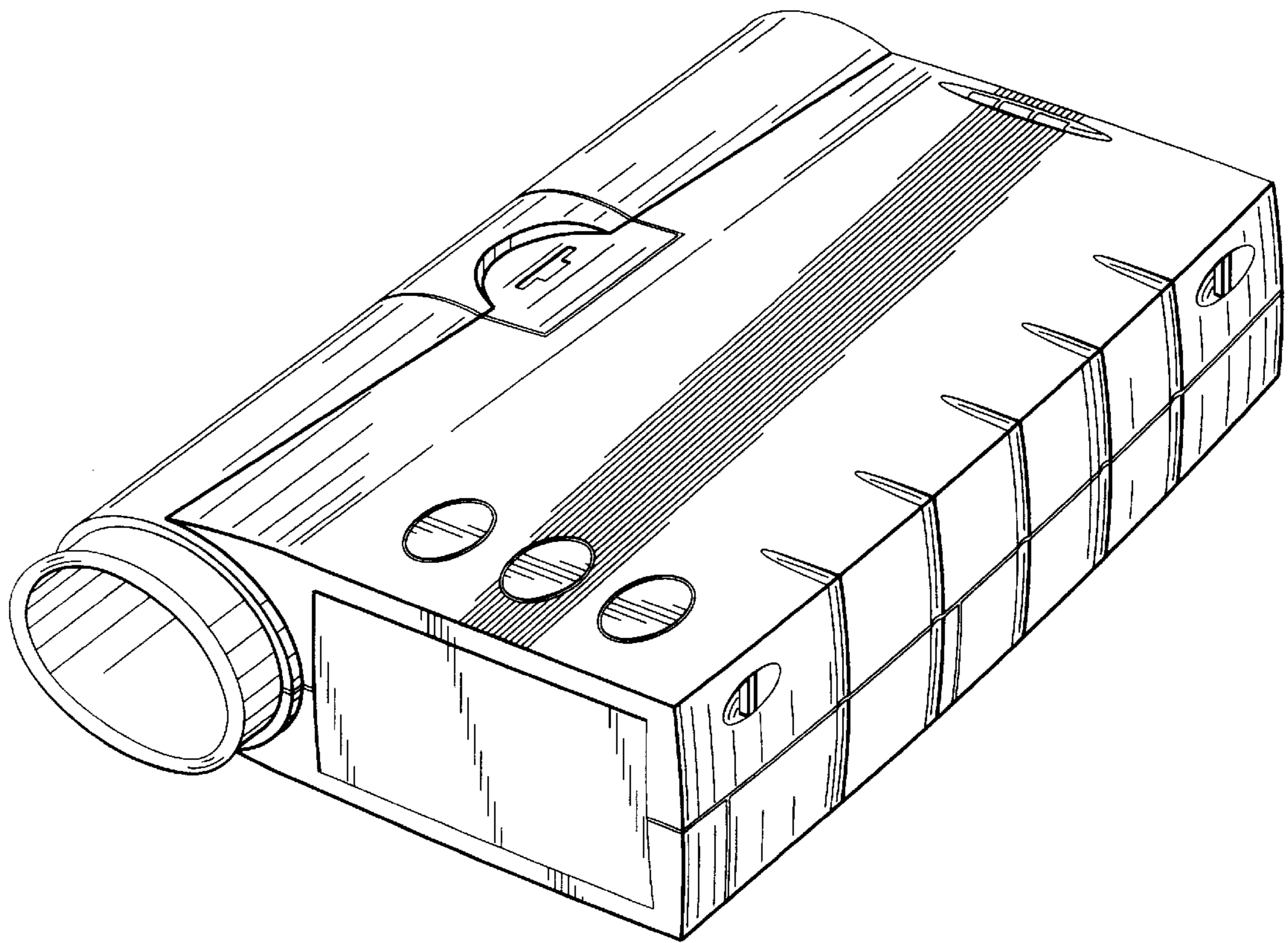


FIG 1

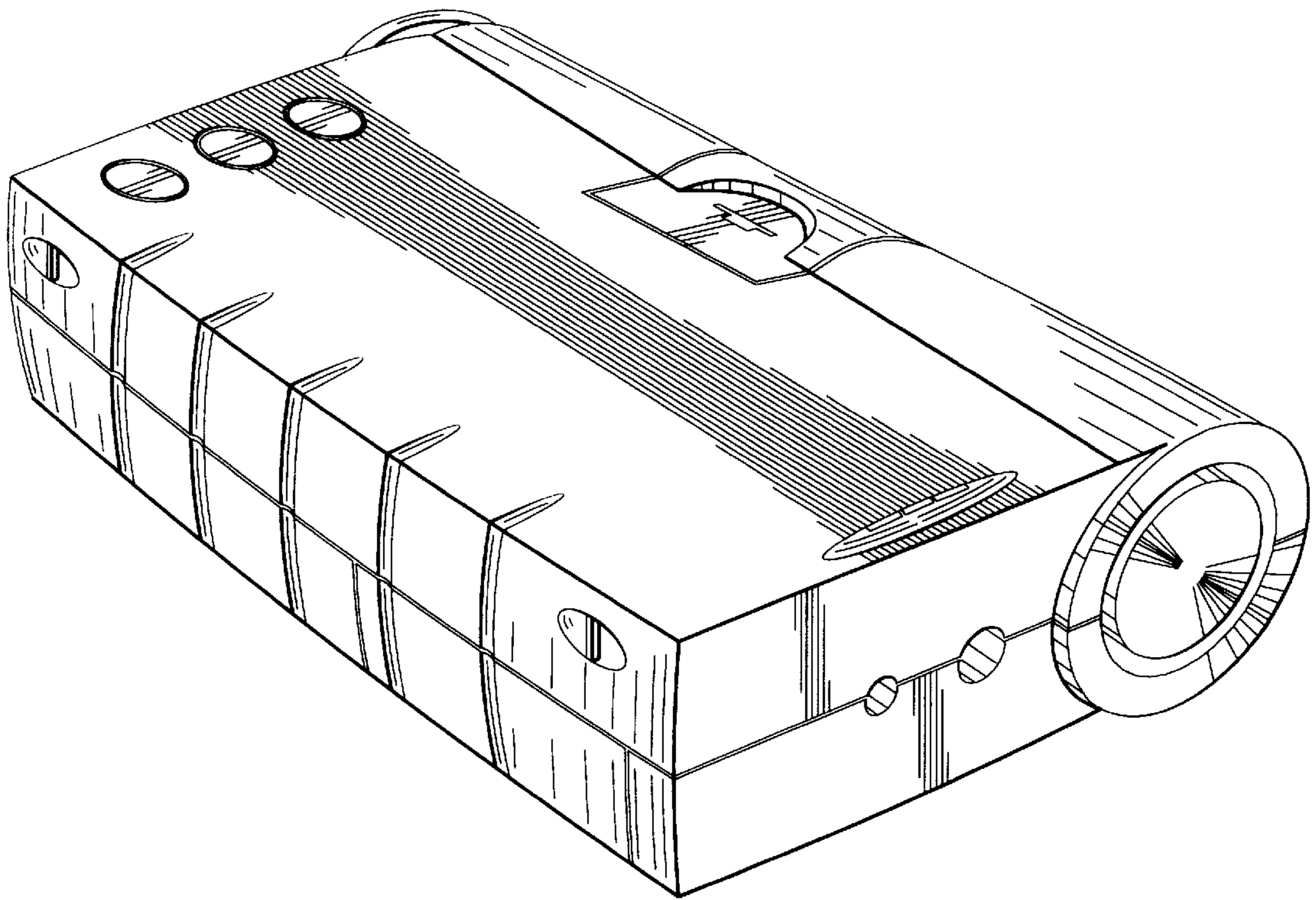


FIG 2

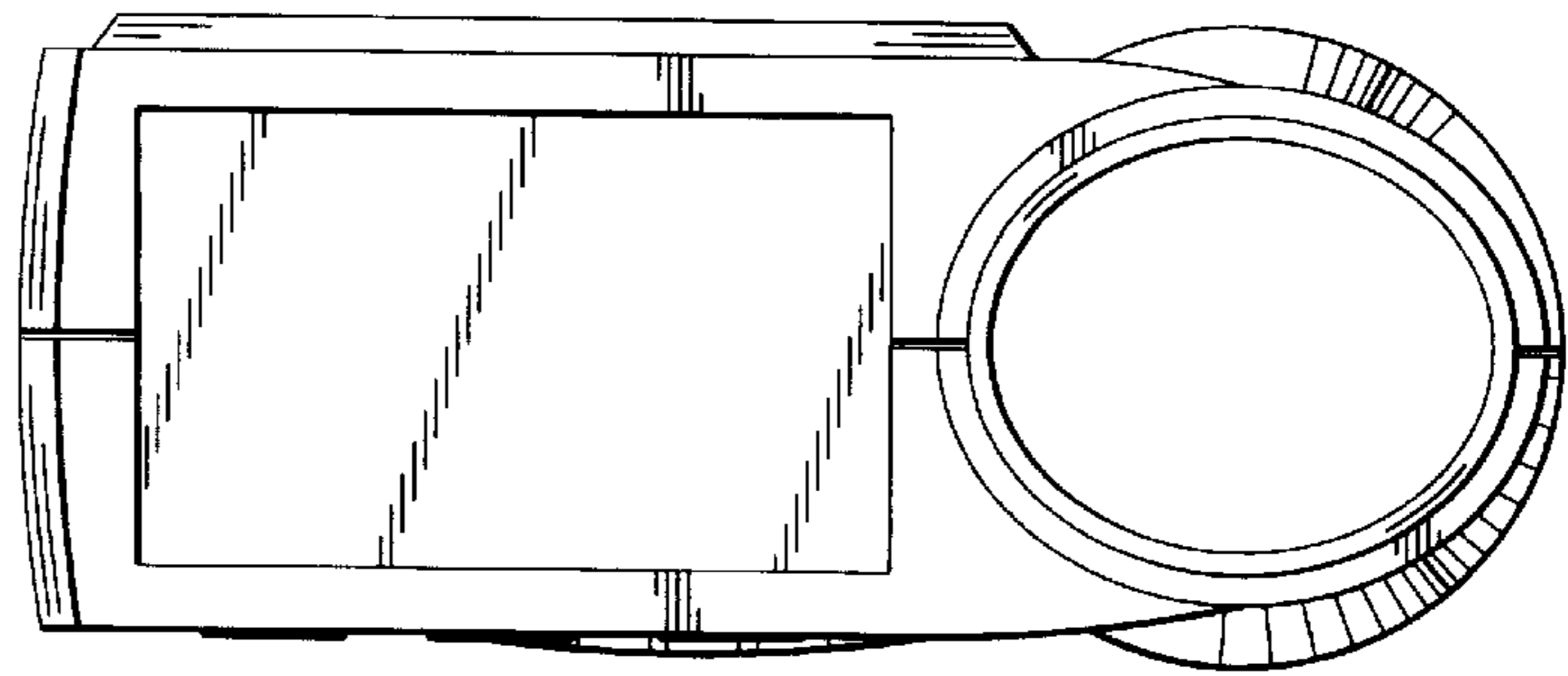


FIG 3

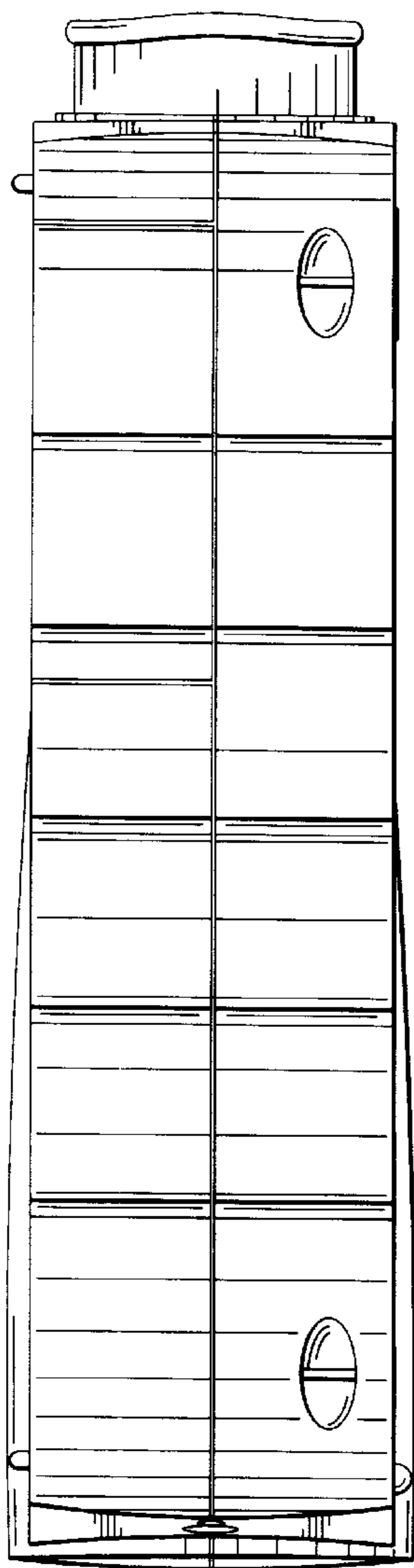


FIG 4

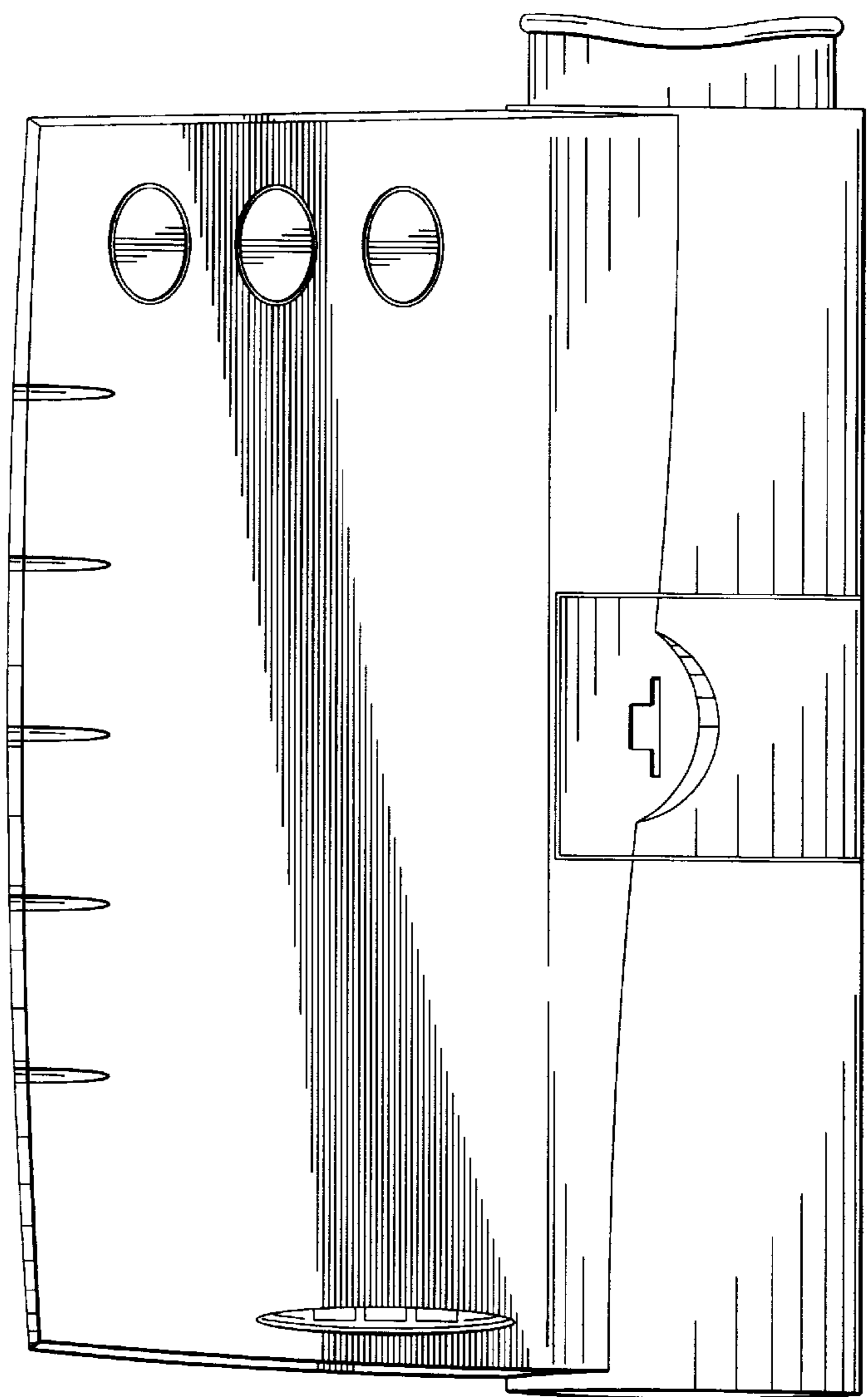


FIG 5

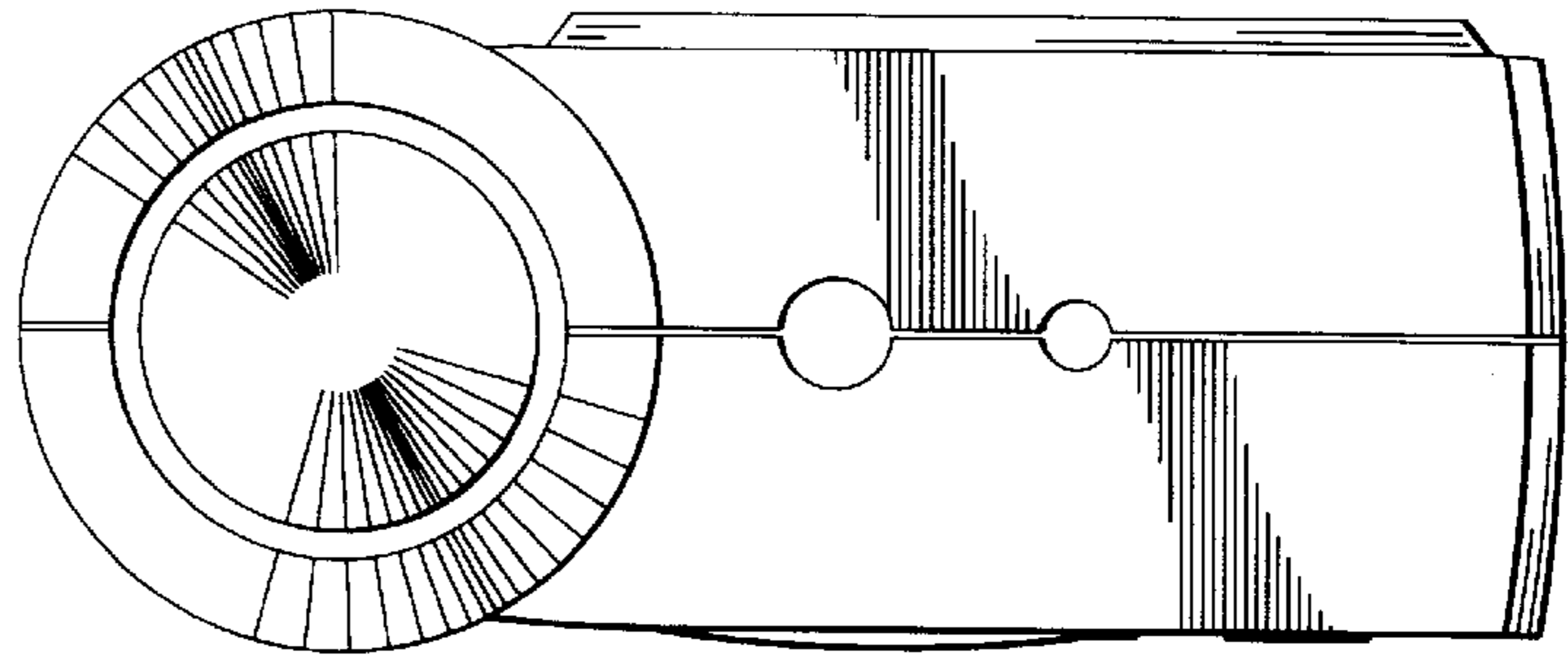


FIG 6

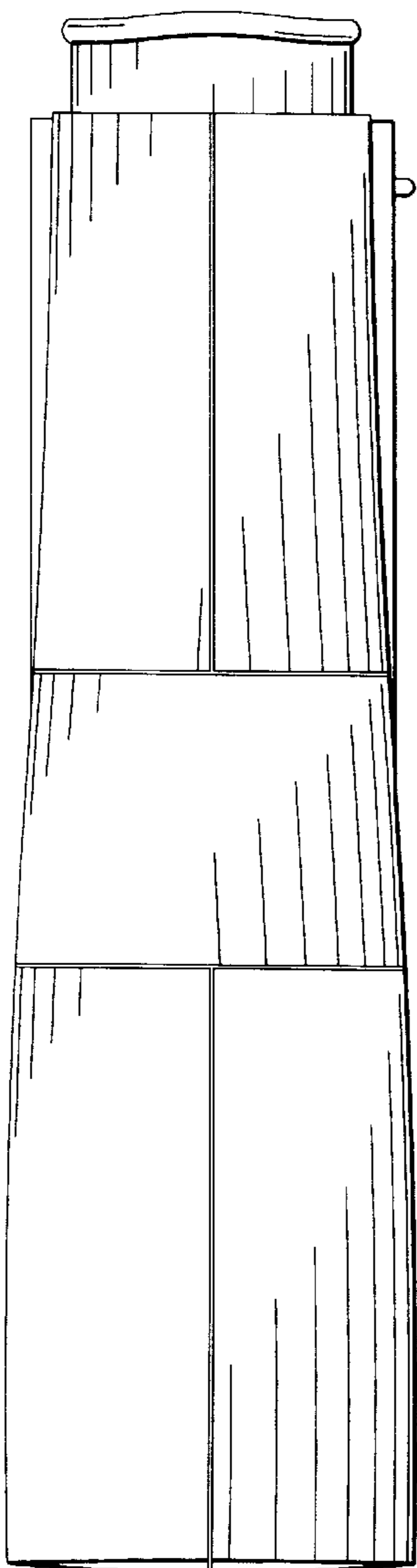


FIG 7

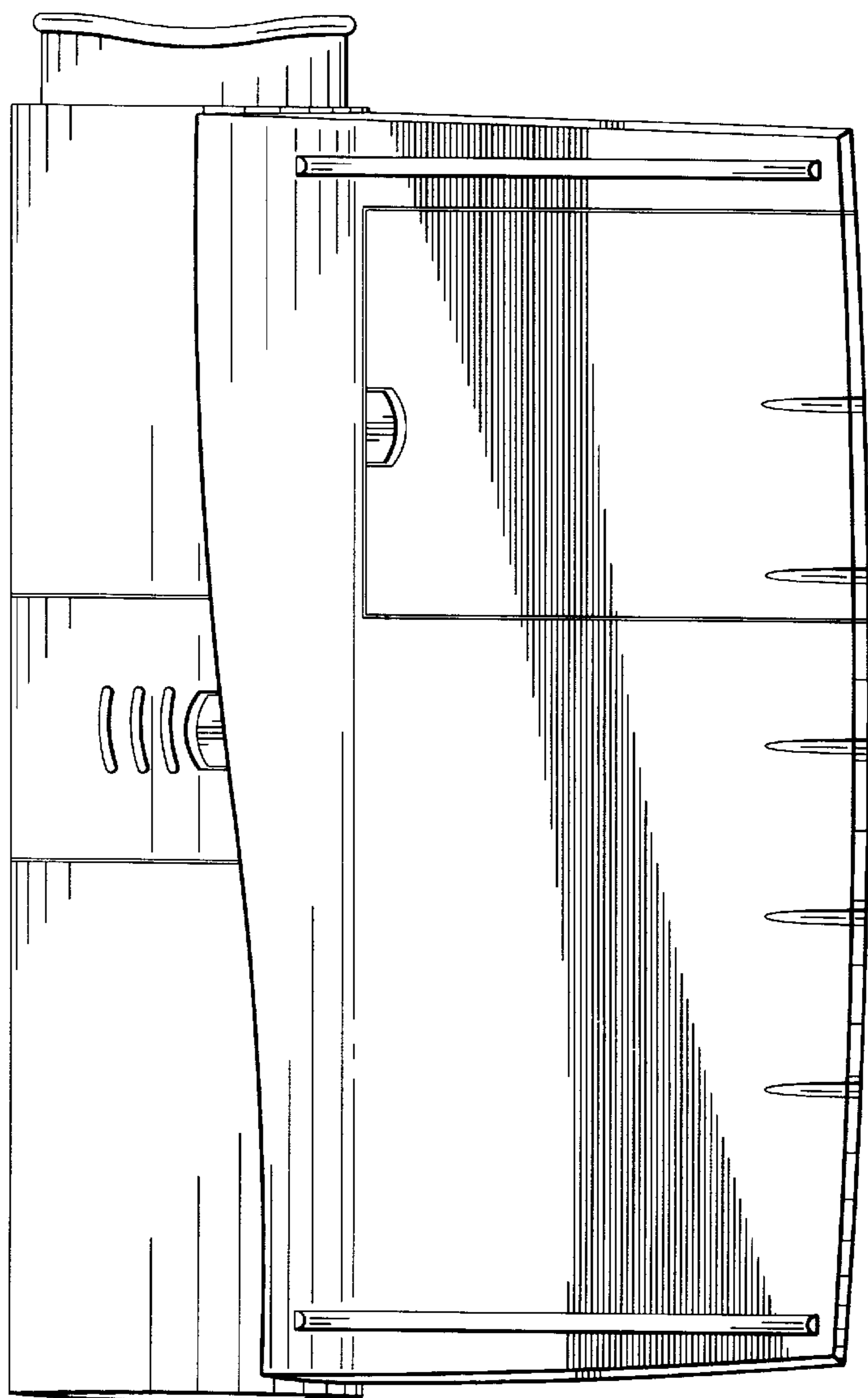


FIG 8