



US00D444223S

(12) **United States Design Patent**
Johnson

(10) **Patent No.:** **US D444,223 S**

(45) **Date of Patent:** **** Jun. 26, 2001**

(54) **MALE CONDOM HARNESS**

(76) **Inventor:** **Joseph T. Johnson**, 8028 Regent Park
La., Charlotte, NC (US) 28210

(**) **Term:** **14 Years**

(21) **Appl. No.:** **29/110,463**

(22) **Filed:** **Sep. 7, 1999**

(51) **LOC (7) Cl.** **28-01**

(52) **U.S. Cl.** **D24/105**

(58) **Field of Search** D24/105; 128/842,
128/844, 845, 917, 918; 604/349; 600/38,
41

(56) **References Cited**

U.S. PATENT DOCUMENTS

D. 395,081	*	6/1998	Bowden	D24/105
D. 417,502	*	12/1999	Johnson	D24/105
5,111,831	*	5/1992	Foggia	128/842
5,370,130	*	12/1994	Hess	128/844
5,370,131	*	12/1994	Hess	128/844

* cited by examiner

Primary Examiner—Ian Simmons

(74) *Attorney, Agent, or Firm*—Christopher C. Dremann

(57) **CLAIM**

The ornamental design for a male condom harness, as shown and described.

DESCRIPTION

FIG. 1 is a perspective view of a male condom harness according to the invention;

FIG. 2 is a top plan view of the male condom harness of FIG. 1;

FIG. 3 is a bottom plan view of the male condom harness of FIG. 1;

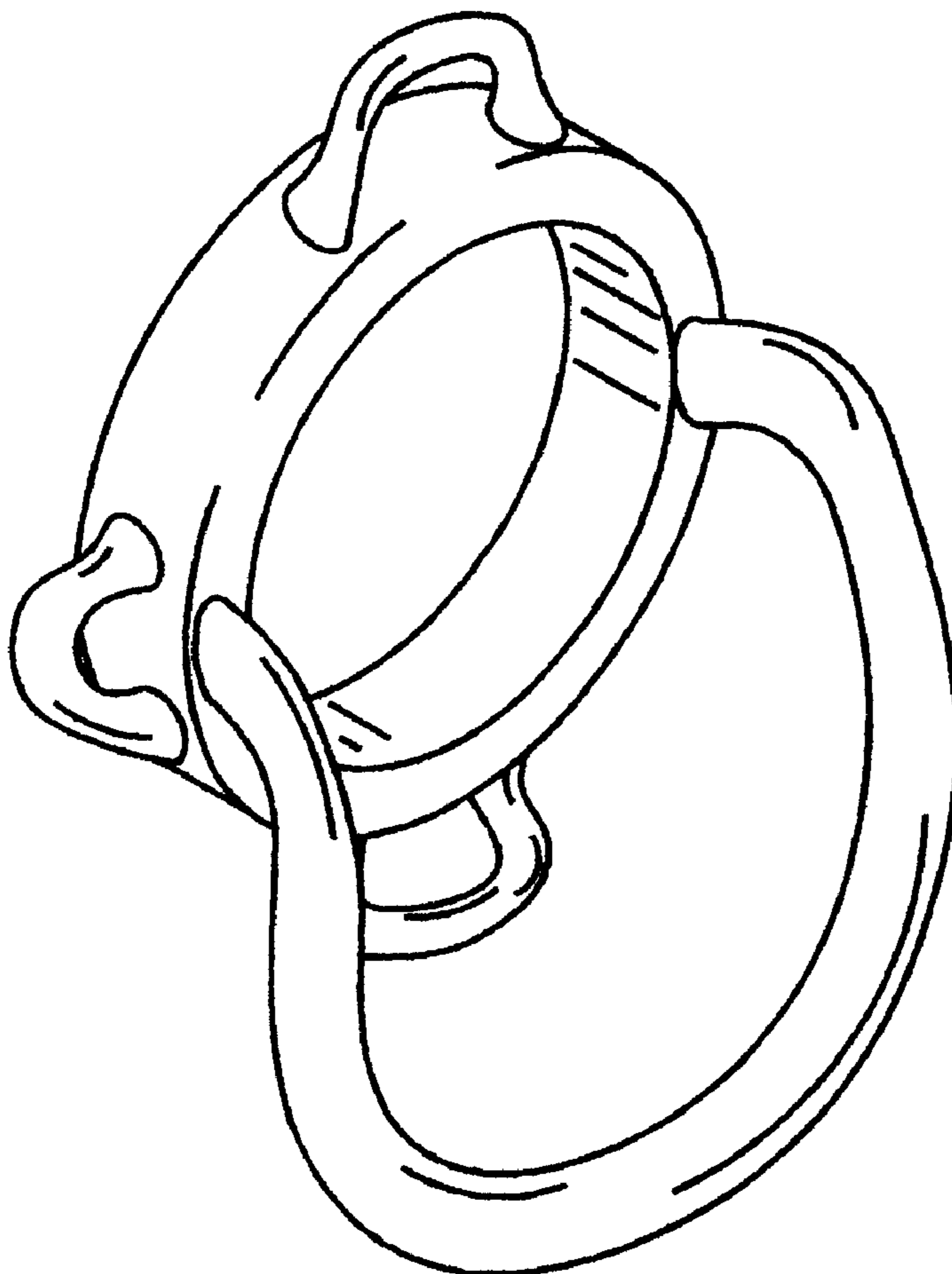
FIG. 4 is a front end elevation view of the male condom harness of FIG. 1;

FIG. 5 is a left side elevation view of the male condom harness of FIG. 1;

FIG. 6 is a rear end elevation view of the male condom harness of FIG. 1; and,

FIG. 7 is a right side elevation view of the male condom harness of FIG. 1.

1 Claim, 2 Drawing Sheets



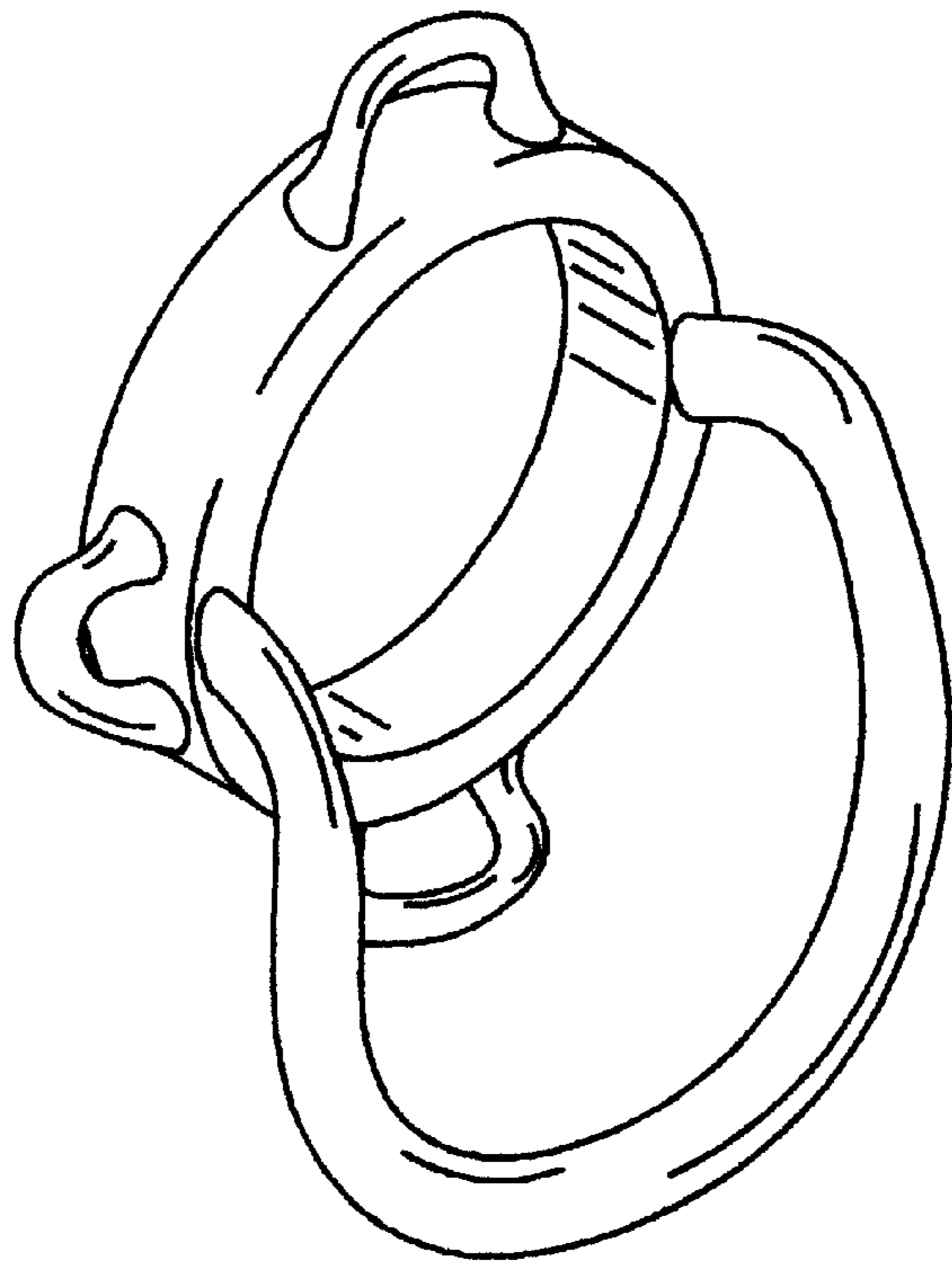


Fig. 1

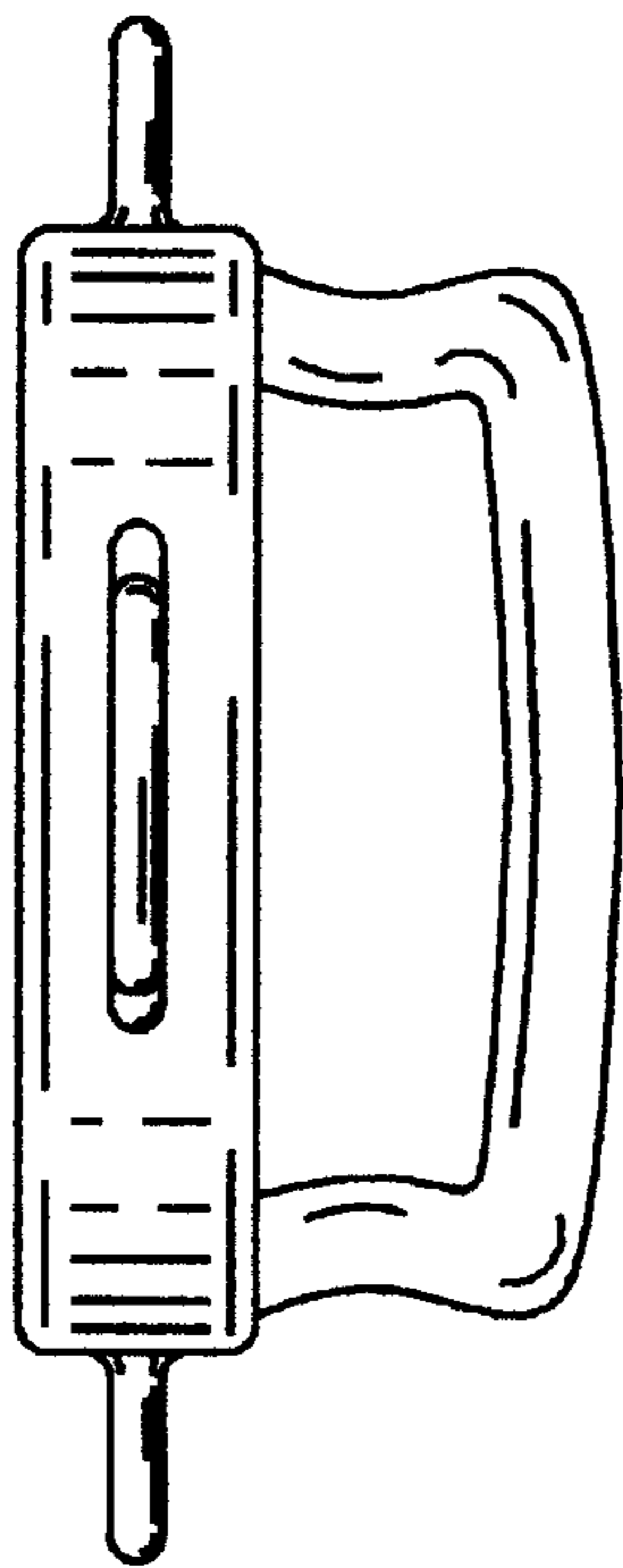


Fig. 2

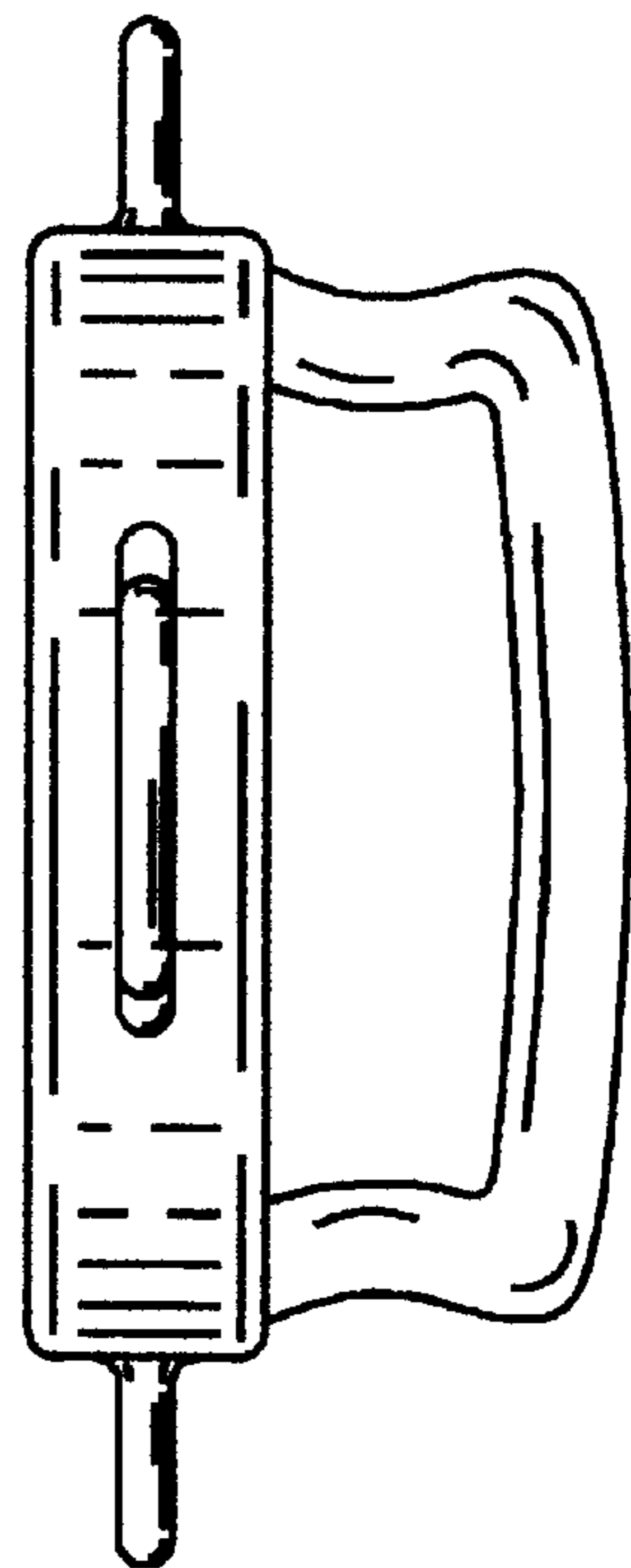


Fig. 3

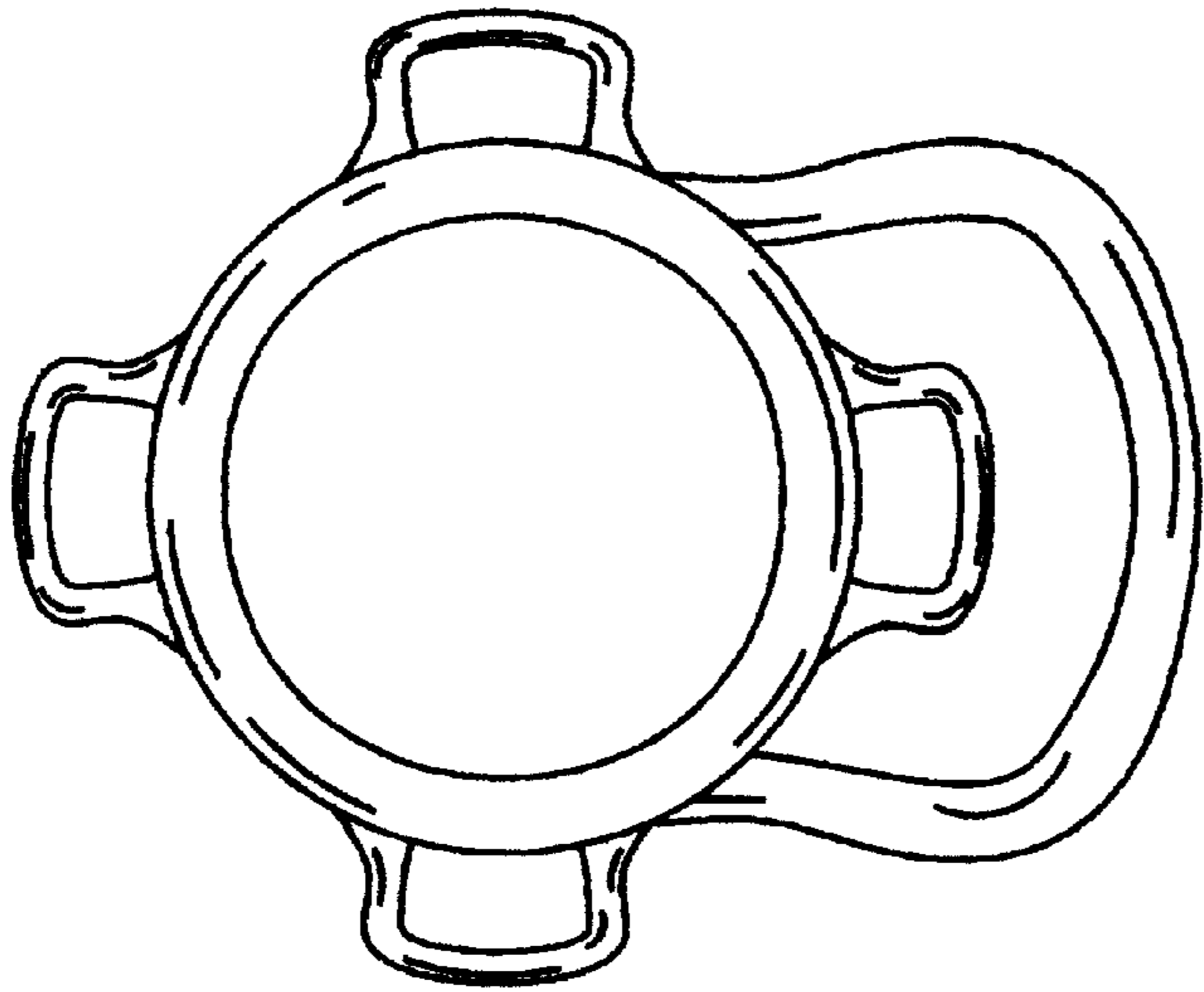


Fig. 4

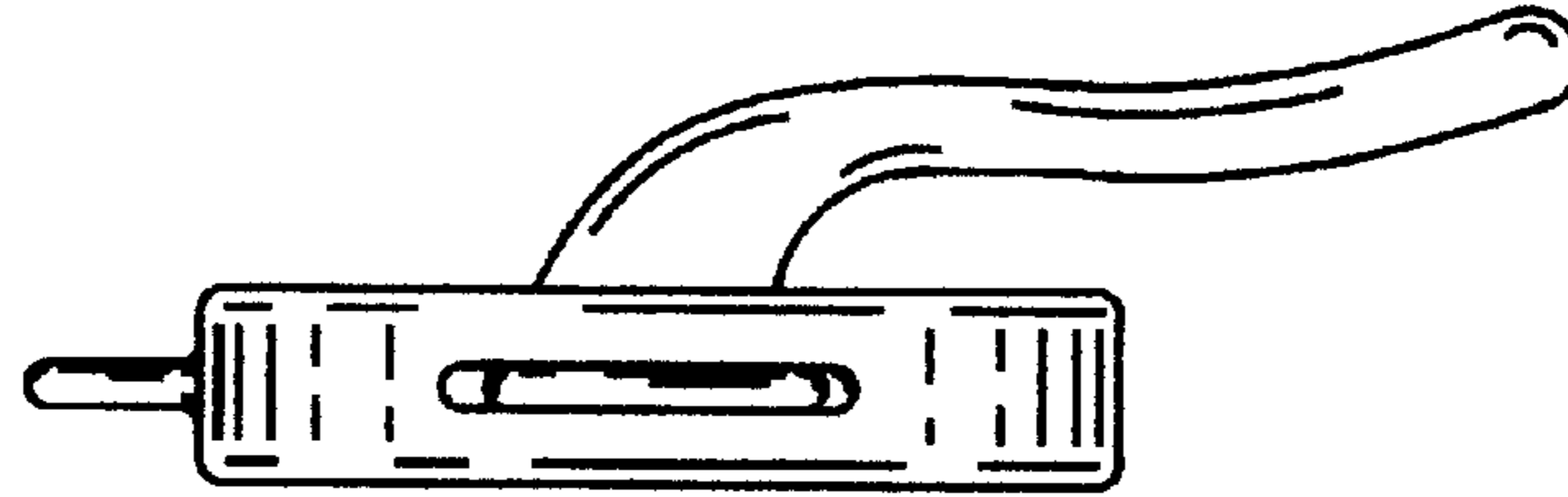


Fig. 5

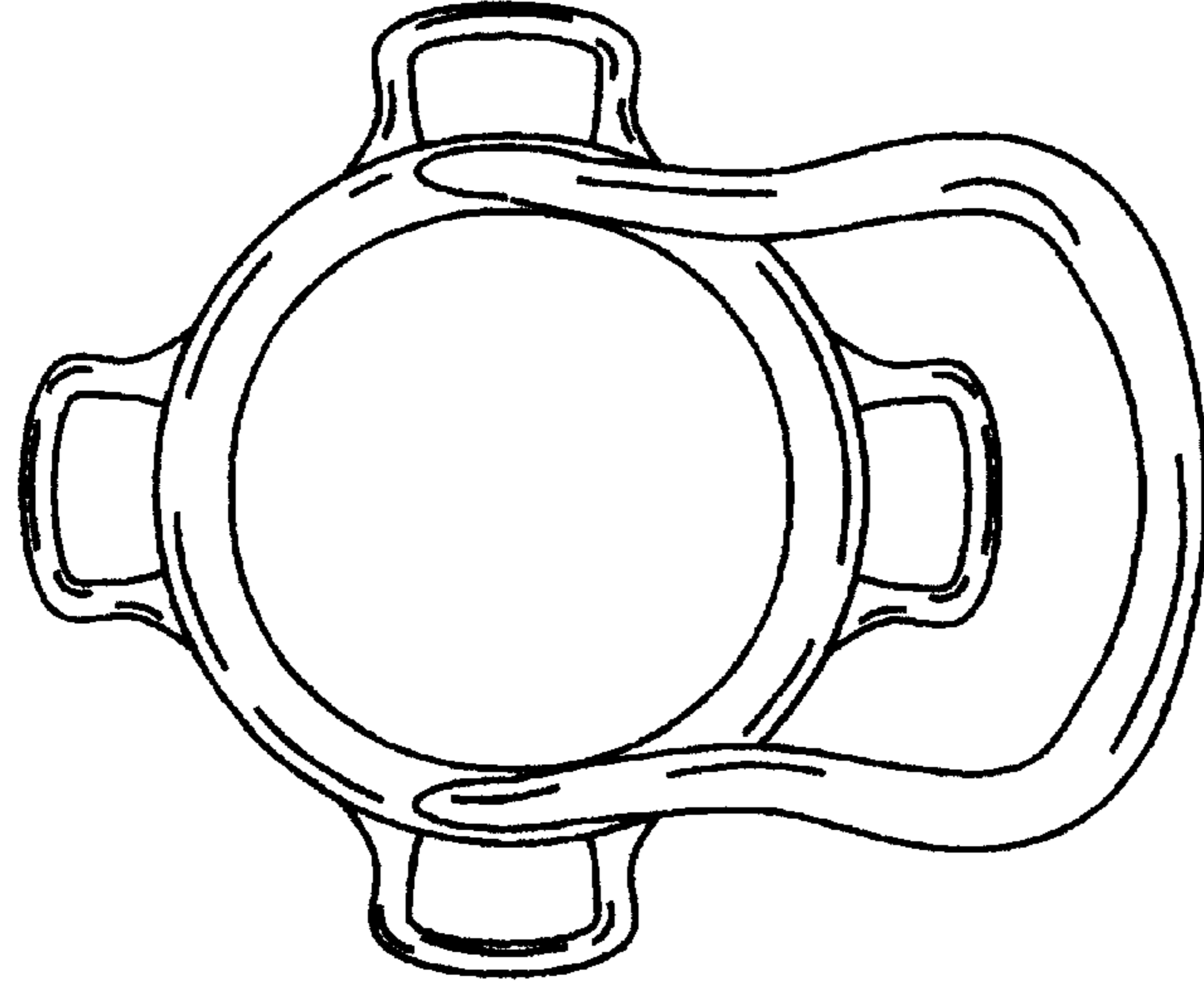


Fig. 6

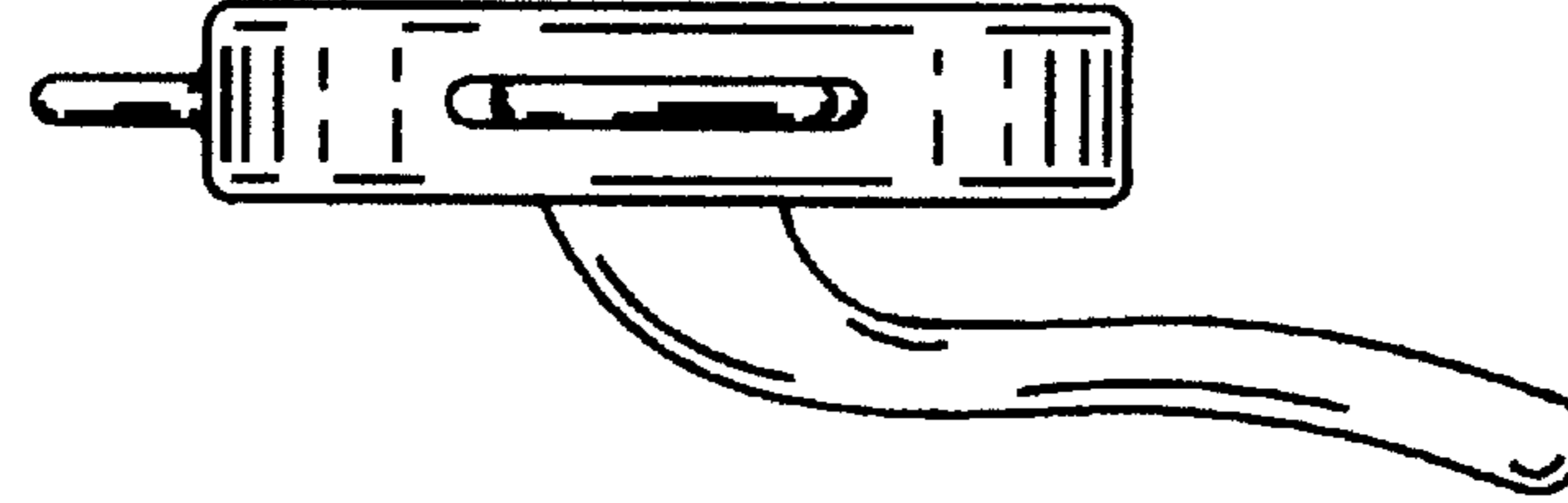


Fig. 7