



US00D444222S

(12) **United States Design Patent**
Wilson, Jr.

(10) **Patent No.:** **US D444,222 S**

(45) **Date of Patent:** **** Jun. 26, 2001**

(54) **PIVOT FAN**

(75) **Inventor:** **Rodney Wilson, Jr., Boothwyn, PA (US)**

(73) **Assignee:** **Lasko Holdings, Inc., West Chester, PA (US)**

(**) **Term:** **14 Years**

(21) **Appl. No.:** **29/127,766**

(22) **Filed:** **Aug. 14, 2000**

(51) **LOC (7) Cl.** **23-04**

(52) **U.S. Cl.** **D23/382**

(58) **Field of Search** D23/381, 382,
D23/332, 370; 416/246 R, 247 R, 244 R;
D6/462, 312, 499; 248/676

(56) **References Cited**

U.S. PATENT DOCUMENTS

D. 409,298 * 5/1999 Litvin D23/382

D. 422,073 * 3/2000 Lozzio et al. D23/382

* cited by examiner

Primary Examiner—Lisa Lichtenstein

(74) *Attorney, Agent, or Firm*—Zachary T. Wobensmith, III

(57) **CLAIM**

The ornamental design for a pivot fan, as shown and described.

DESCRIPTION

FIG. 1 is a front perspective view of a pivot fan showing my new design;

FIG. 2 is a rear perspective view thereof;

FIG. 3 is an enlarged top plan view thereof;

FIG. 4 is a front elevational view thereof;

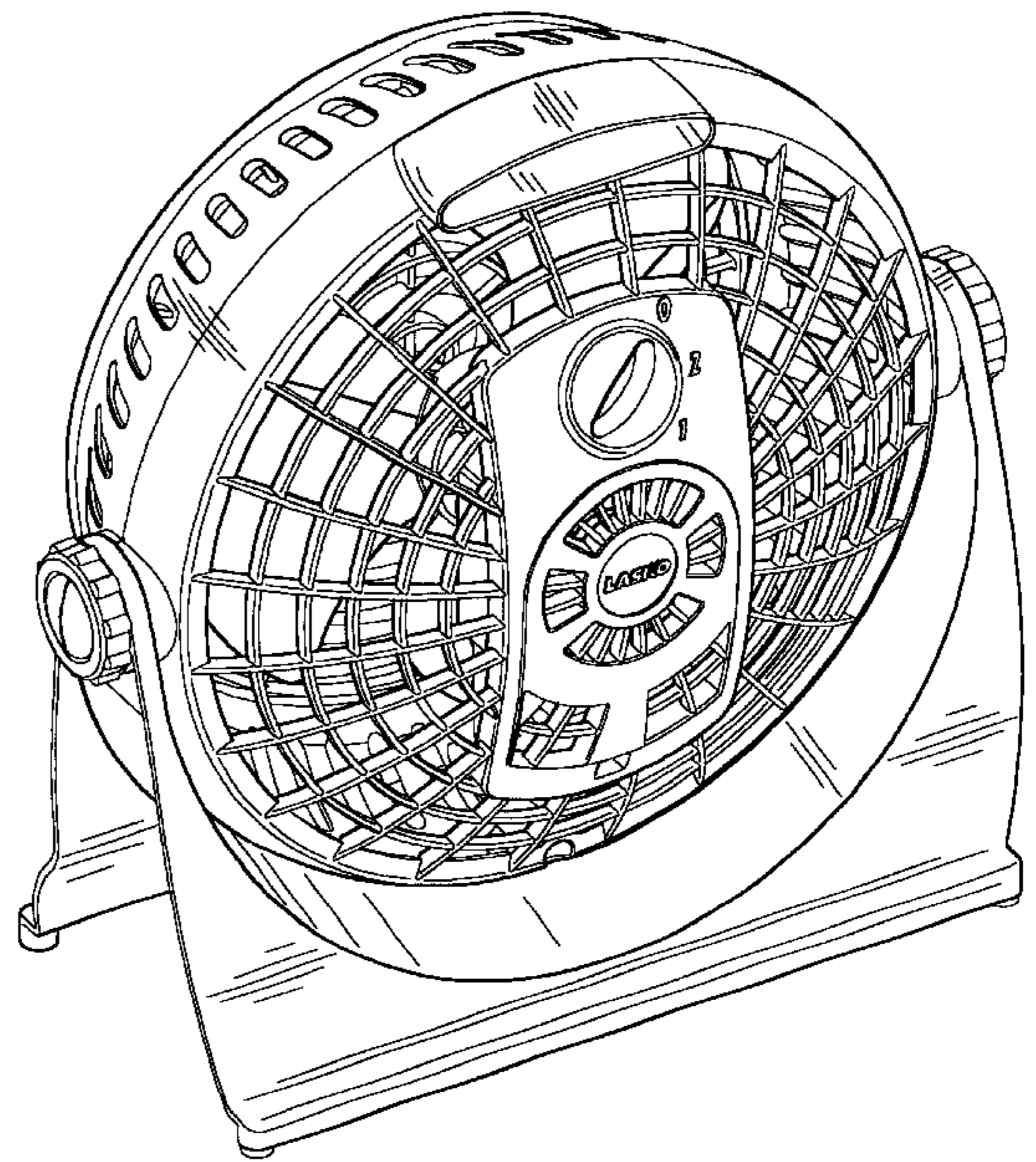
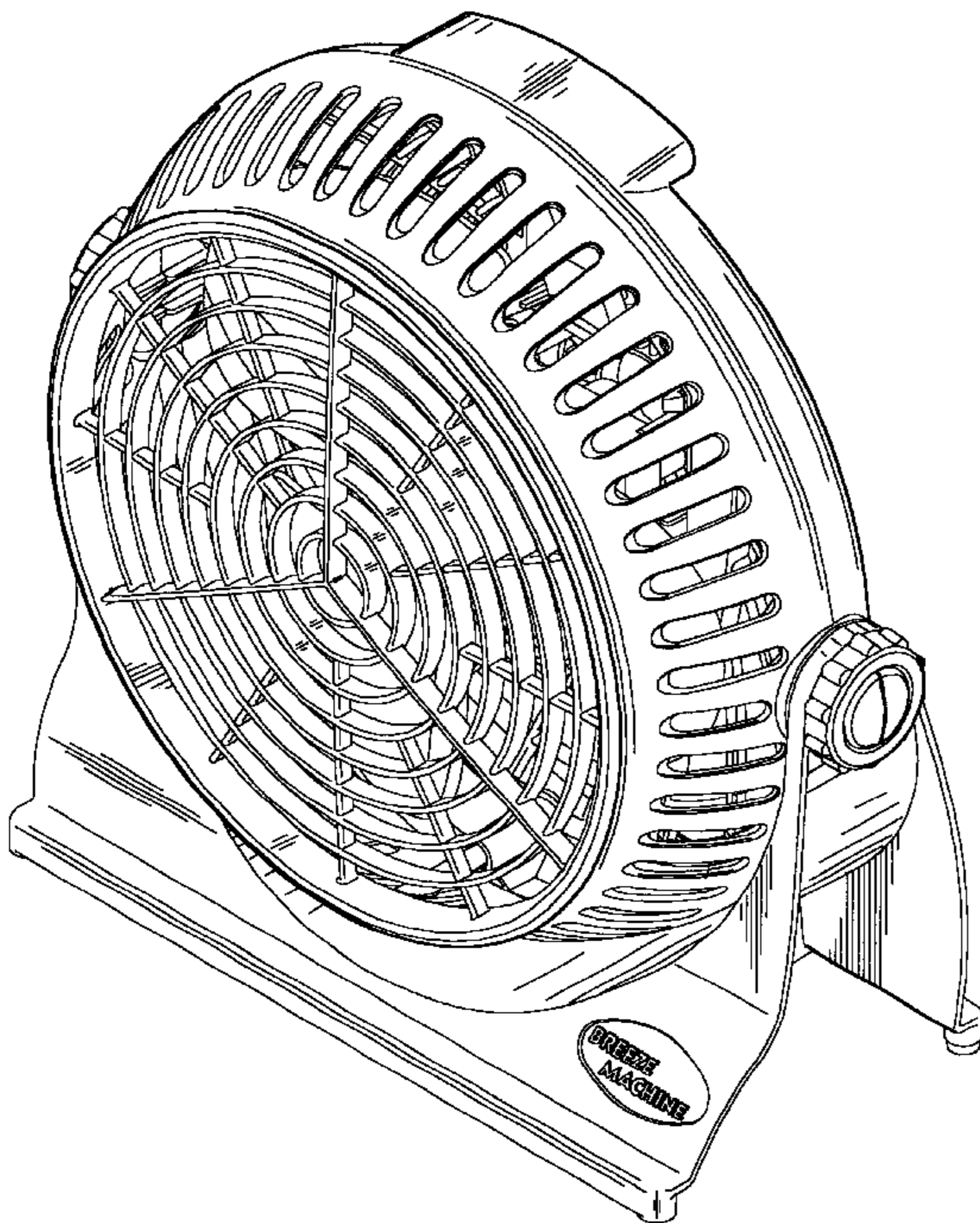
FIG. 5 is a rear elevational view thereof;

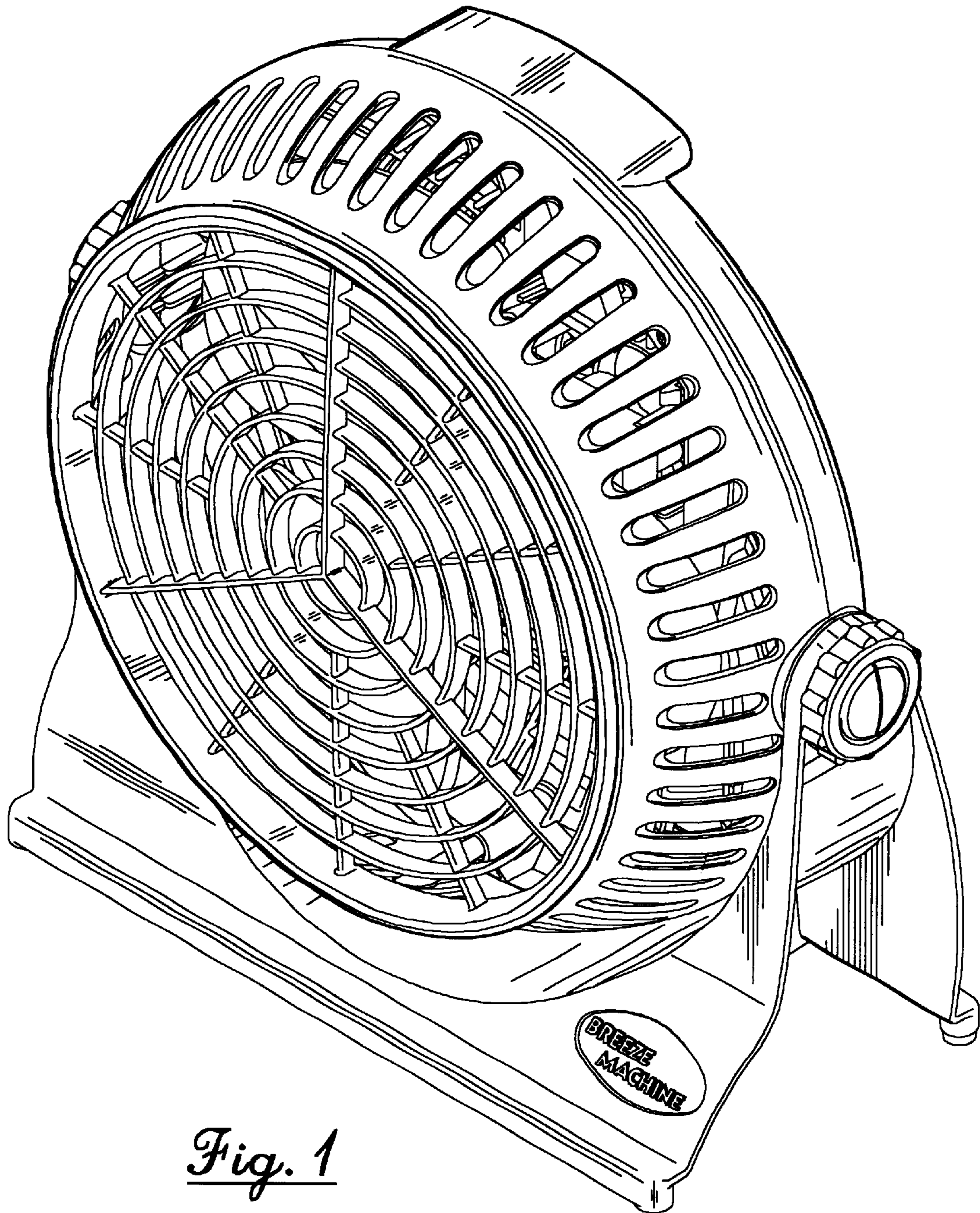
FIG. 6 is an enlarged bottom view thereof;

FIG. 7 is a left side elevational view thereof; and,

FIG. 8 is a right side elevational view thereof.

1 Claim, 6 Drawing Sheets





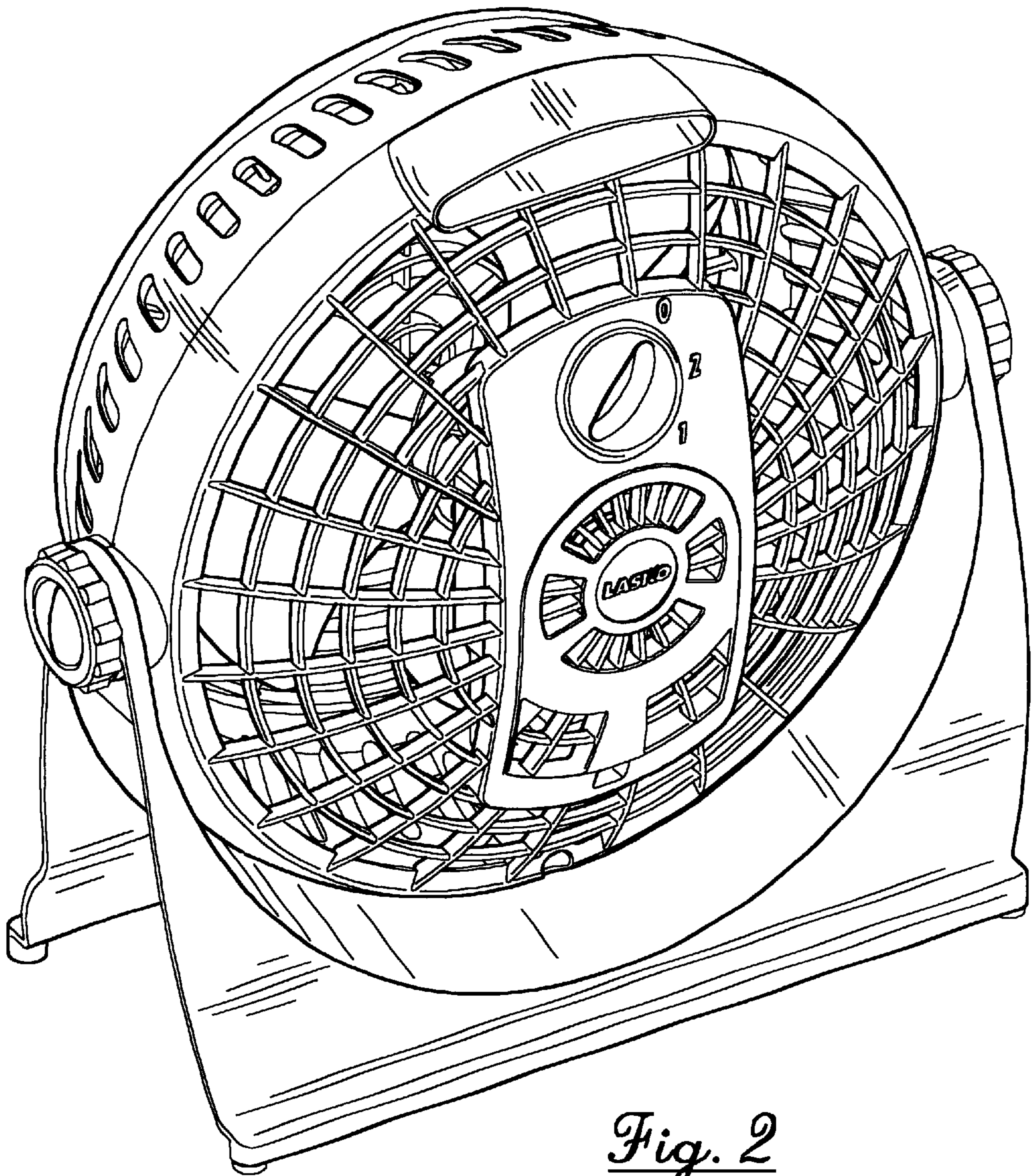


Fig. 2

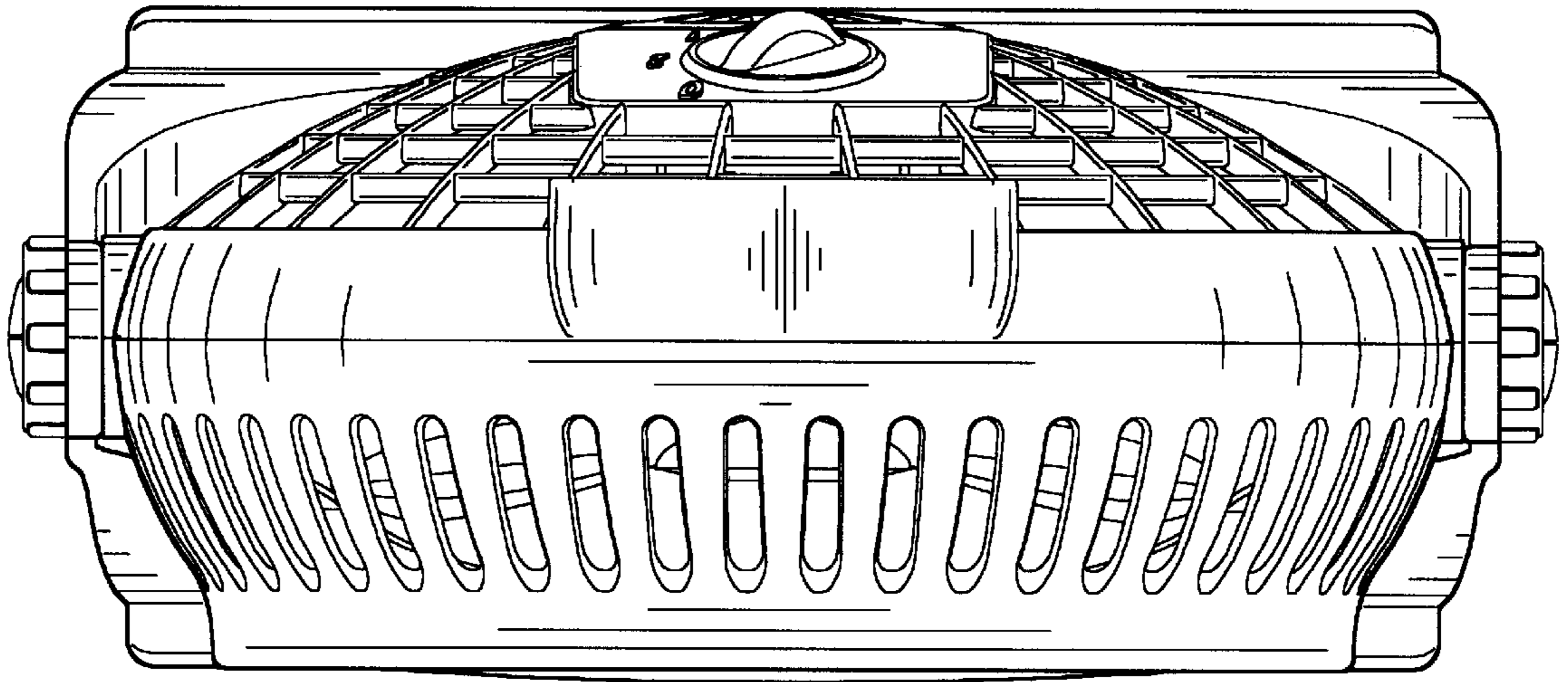


Fig. 3

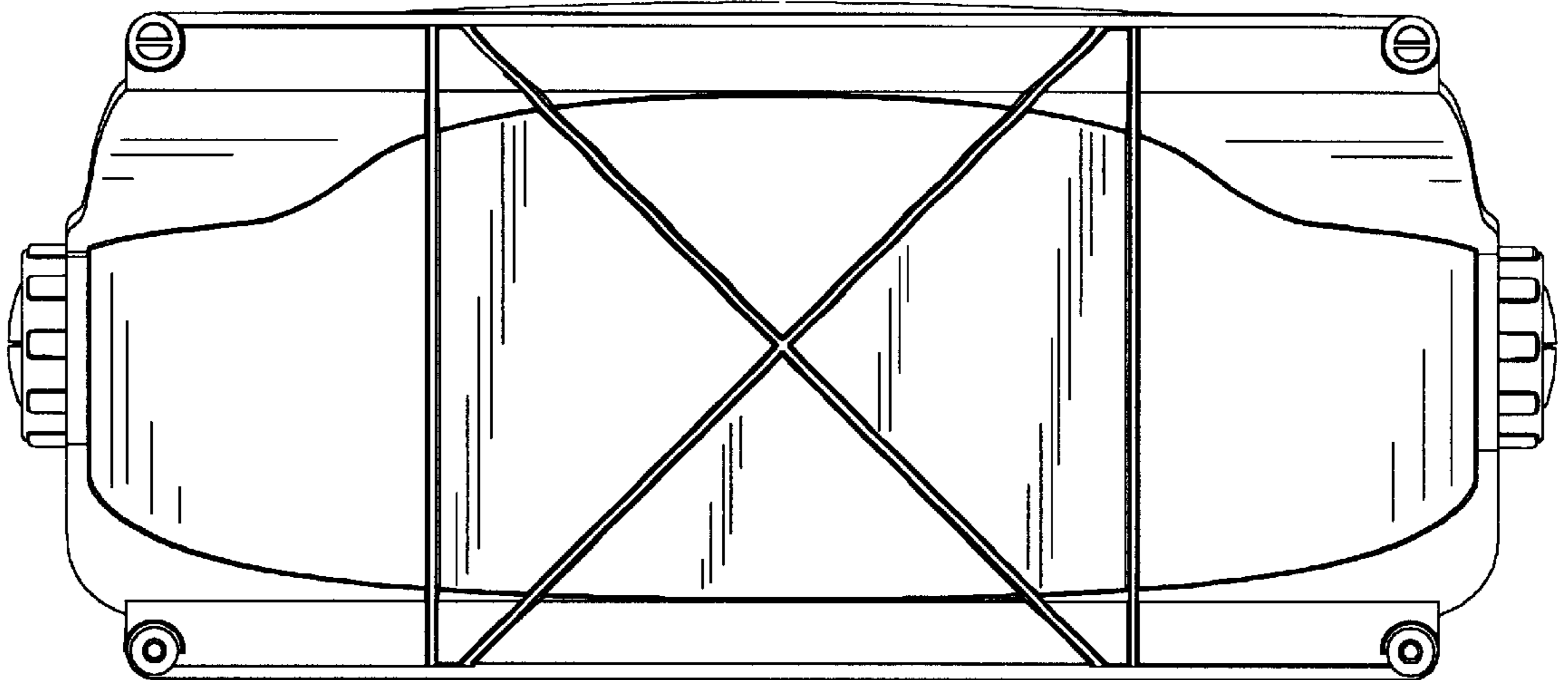


Fig. 6

Fig. 4

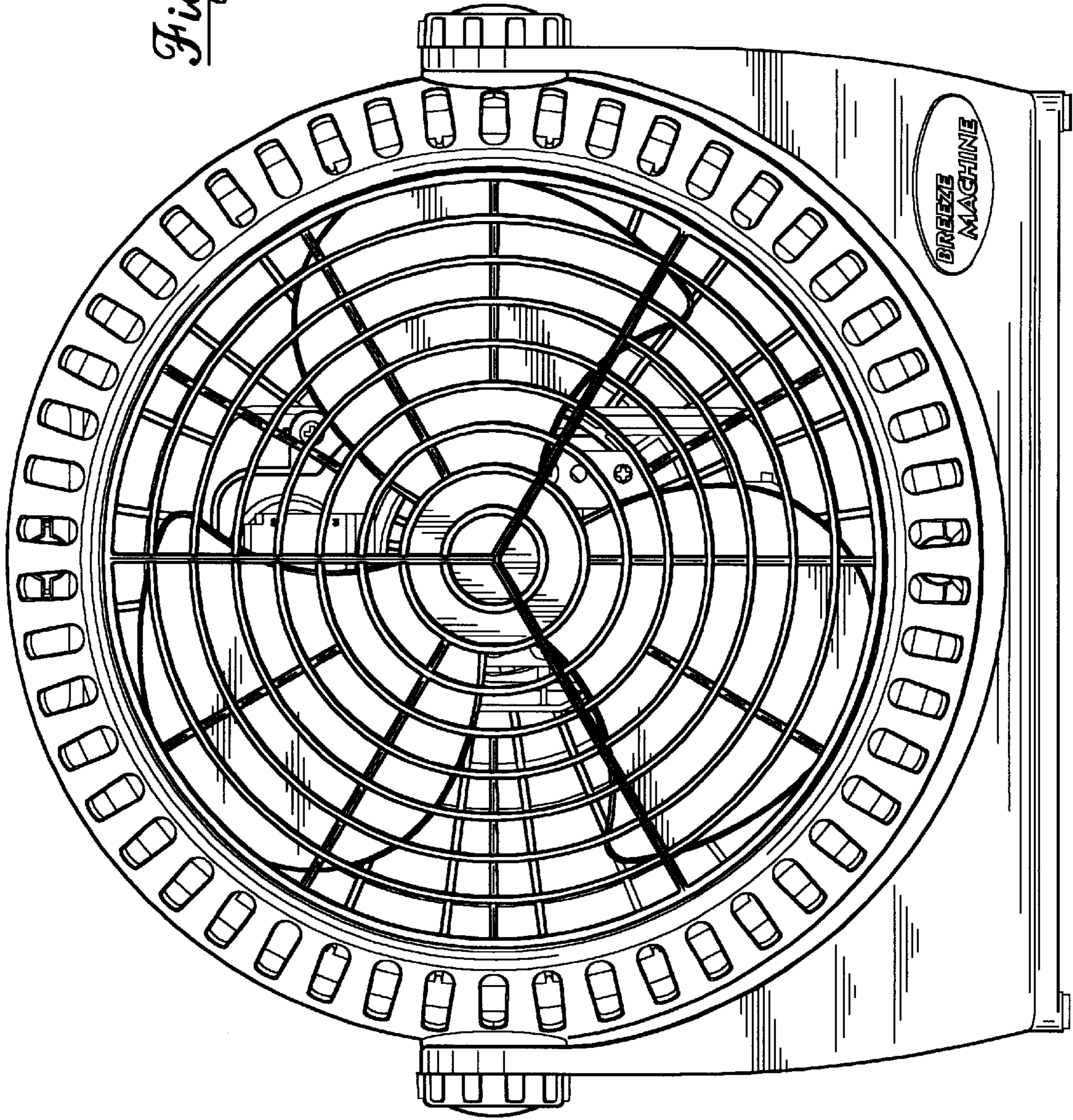
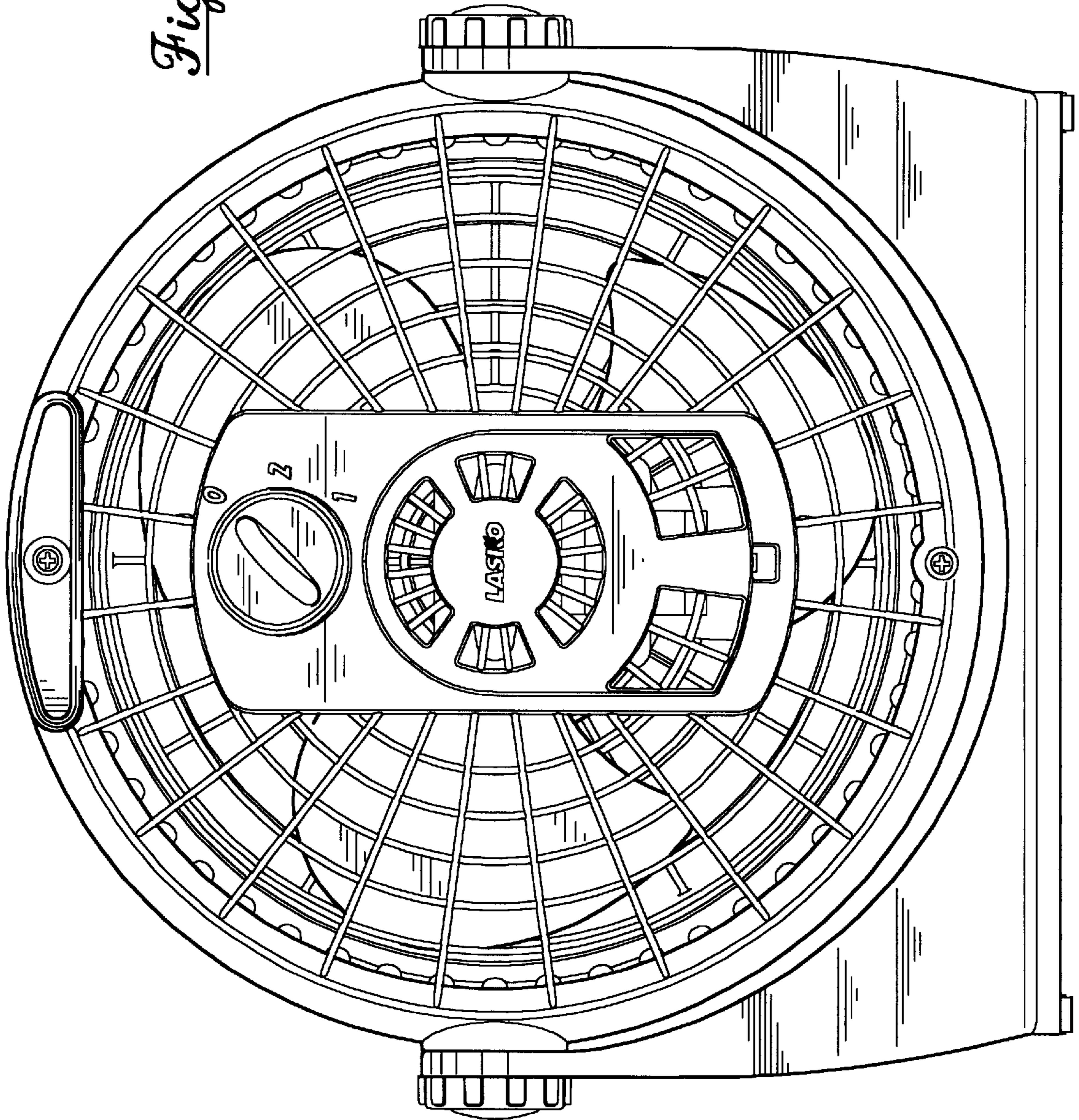


Fig. 5



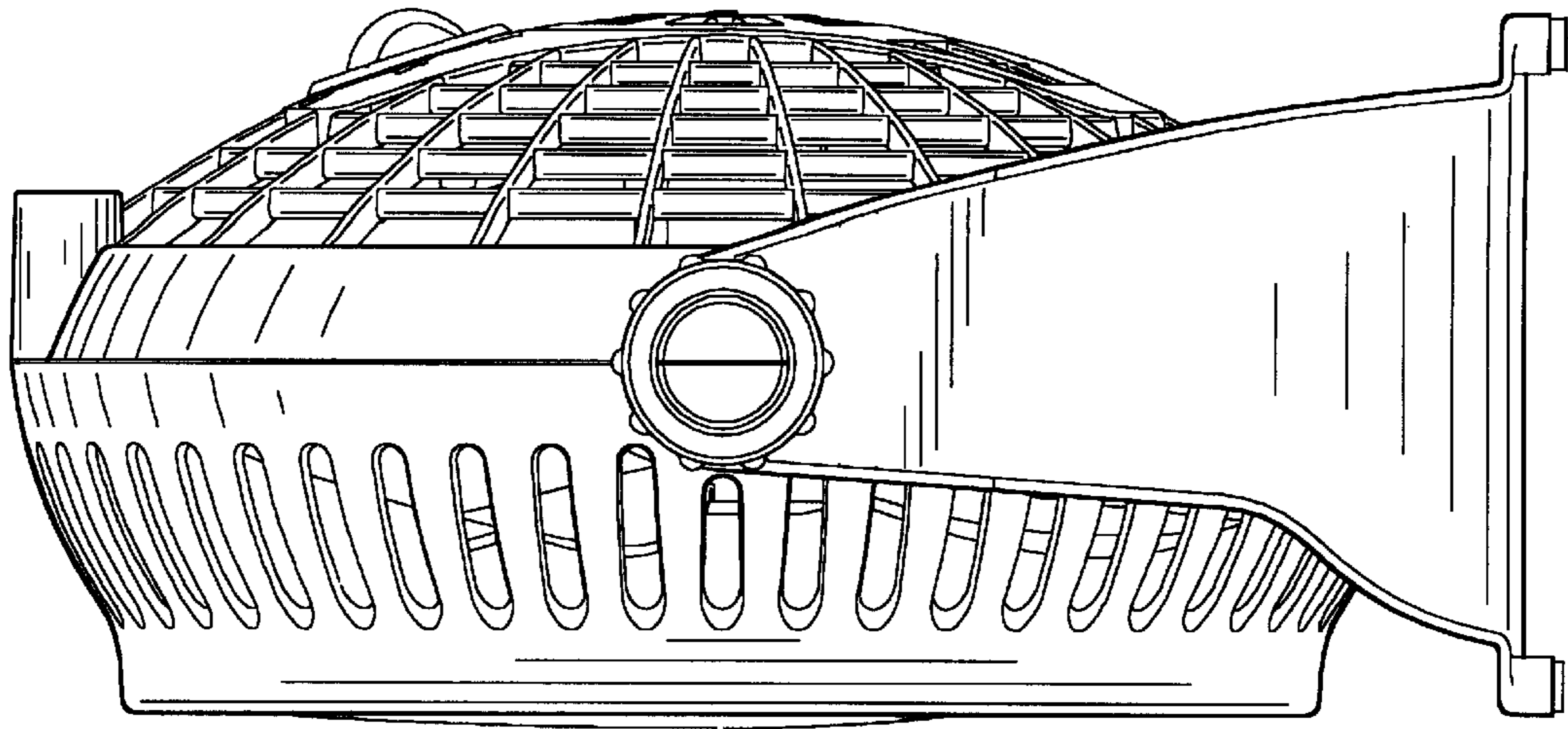


Fig. 8

Fig. 7

