



US00D444221S

(12) **United States Design Patent**
Strand et al.

(10) **Patent No.:** **US D444,221 S**

(45) **Date of Patent:** **** Jun. 26, 2001**

(54) **KITCHEN FAN**

Primary Examiner—Lisa Lichtenstein

(74) *Attorney, Agent, or Firm*—Pearne & Gordon LLP

(75) Inventors: **Markus Strand**, Motala; **Pekka Koivisto**, Stockholm, both of (SE);
Matthias Stahl, Zirndorf (DE)

(57) **CLAIM**

The ornamental design for a kitchen fan, as shown and described.

(73) Assignee: **Aktiebolaget Electrolux**, Stockholm (SE)

DESCRIPTION

(**) Term: **14 Years**

FIG. 1 is a front top perspective view of a kitchen fan showing our new design with the bottom front panel in open position;

(21) Appl. No.: **29/124,703**

FIG. 2 is a bottom front perspective view thereof;

(22) Filed: **Jun. 9, 2000**

FIG. 3 is a top front perspective view thereof with the front bottom panel in closed position;

(30) **Foreign Application Priority Data**

Dec. 14, 1999 (SE) 99-2264

FIG. 4 is a front view thereof;

(51) **LOC (7) Cl.** **23-04**

FIG. 5 is a rear view thereof;

(52) **U.S. Cl.** **D23/372**

FIG. 6 is a right hand side view thereof with the front bottom panel in open position;

(58) **Field of Search** D23/372, 371;
126/299 R, 299 D; D7/406

FIG. 7 is a left hand side view thereof with the bottom front panel in open position;

(56) **References Cited**

U.S. PATENT DOCUMENTS

D. 231,615 * 5/1974 Nygard D23/372

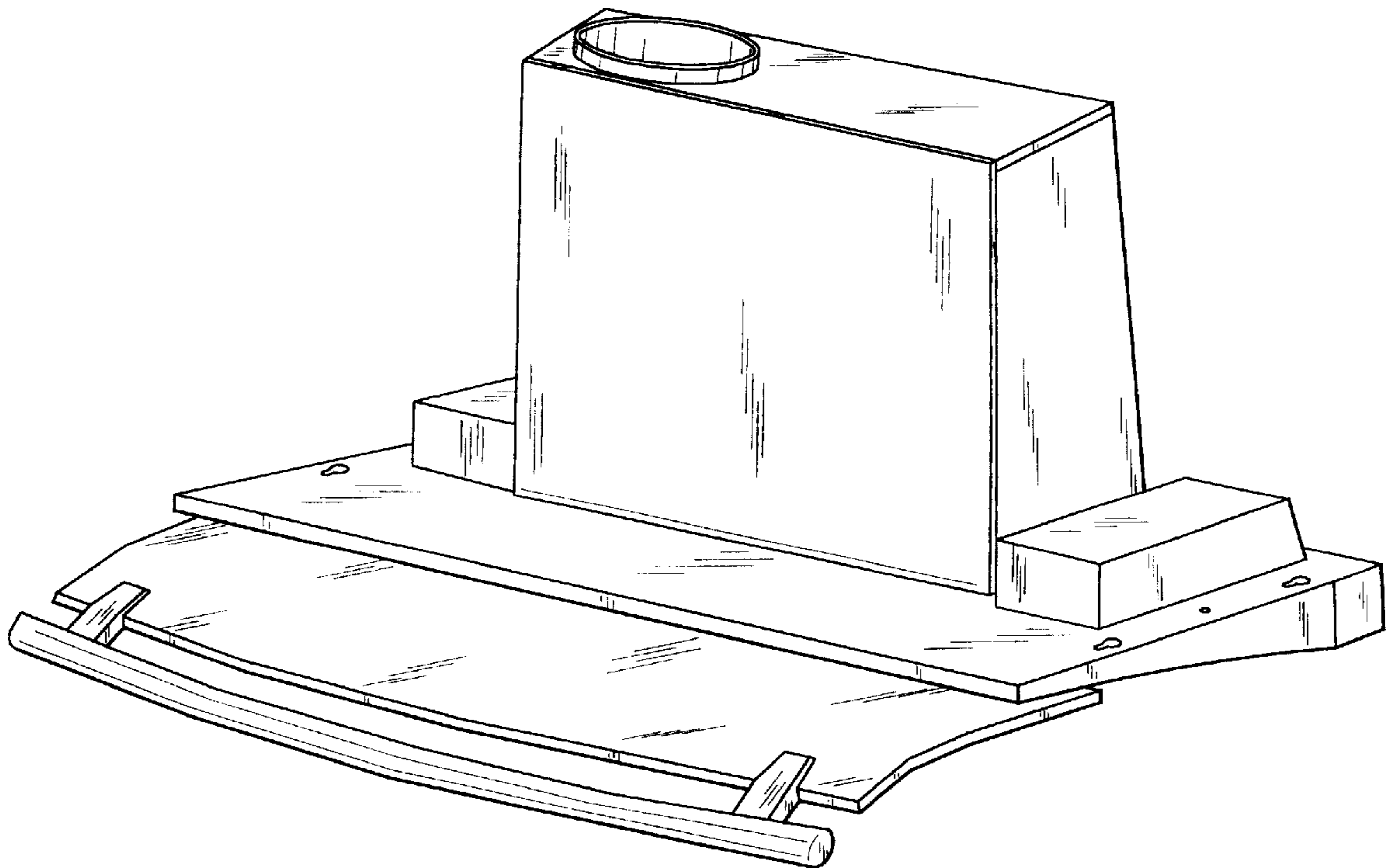
FIG. 8 is a bottom view thereof with the bottom front panel in open position; and,

D. 380,823 * 7/1997 Lazar D23/372

FIG. 9 is a top plan view thereof with the bottom front panel in open position.

* cited by examiner

1 Claim, 9 Drawing Sheets



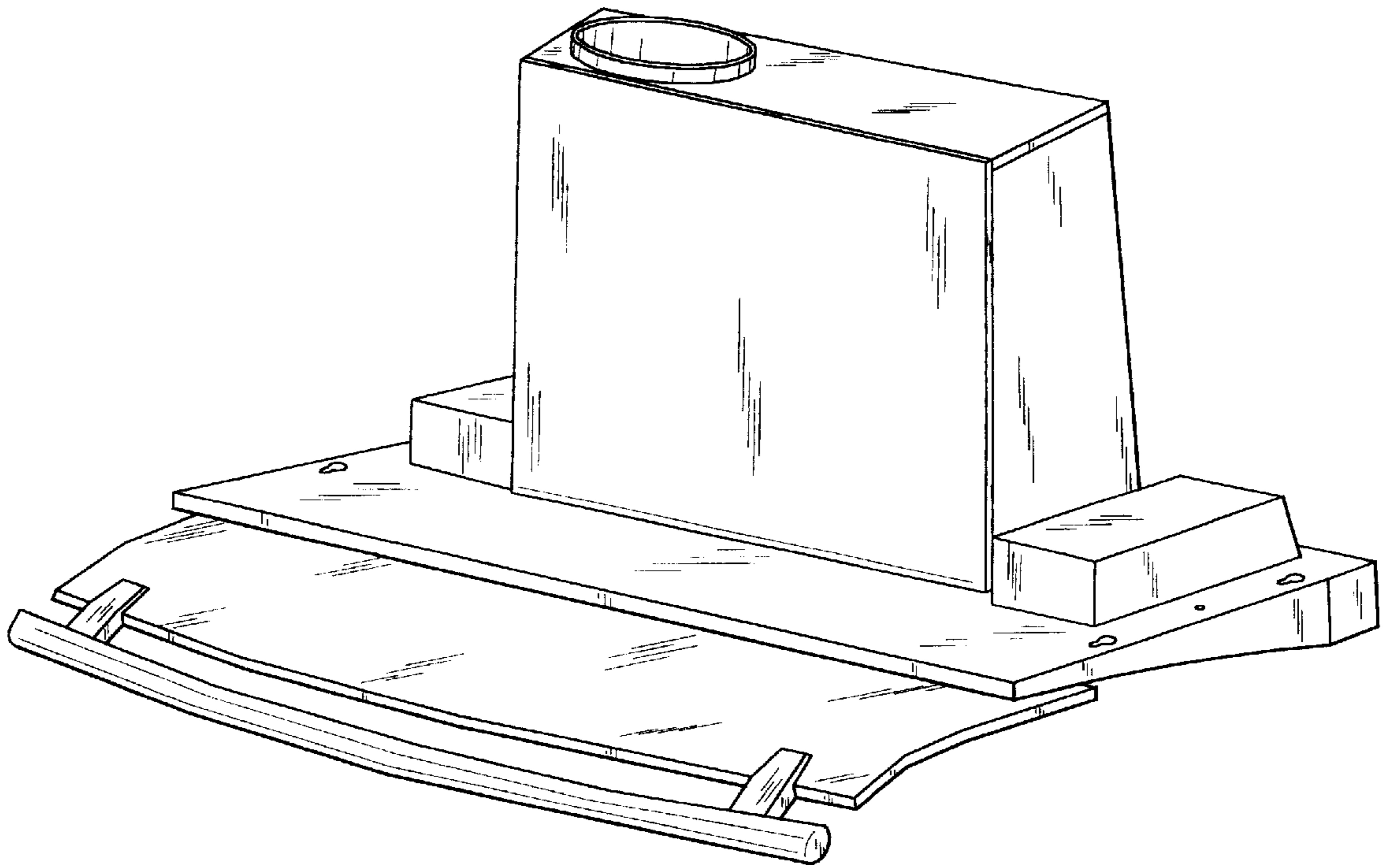


FIG. 1

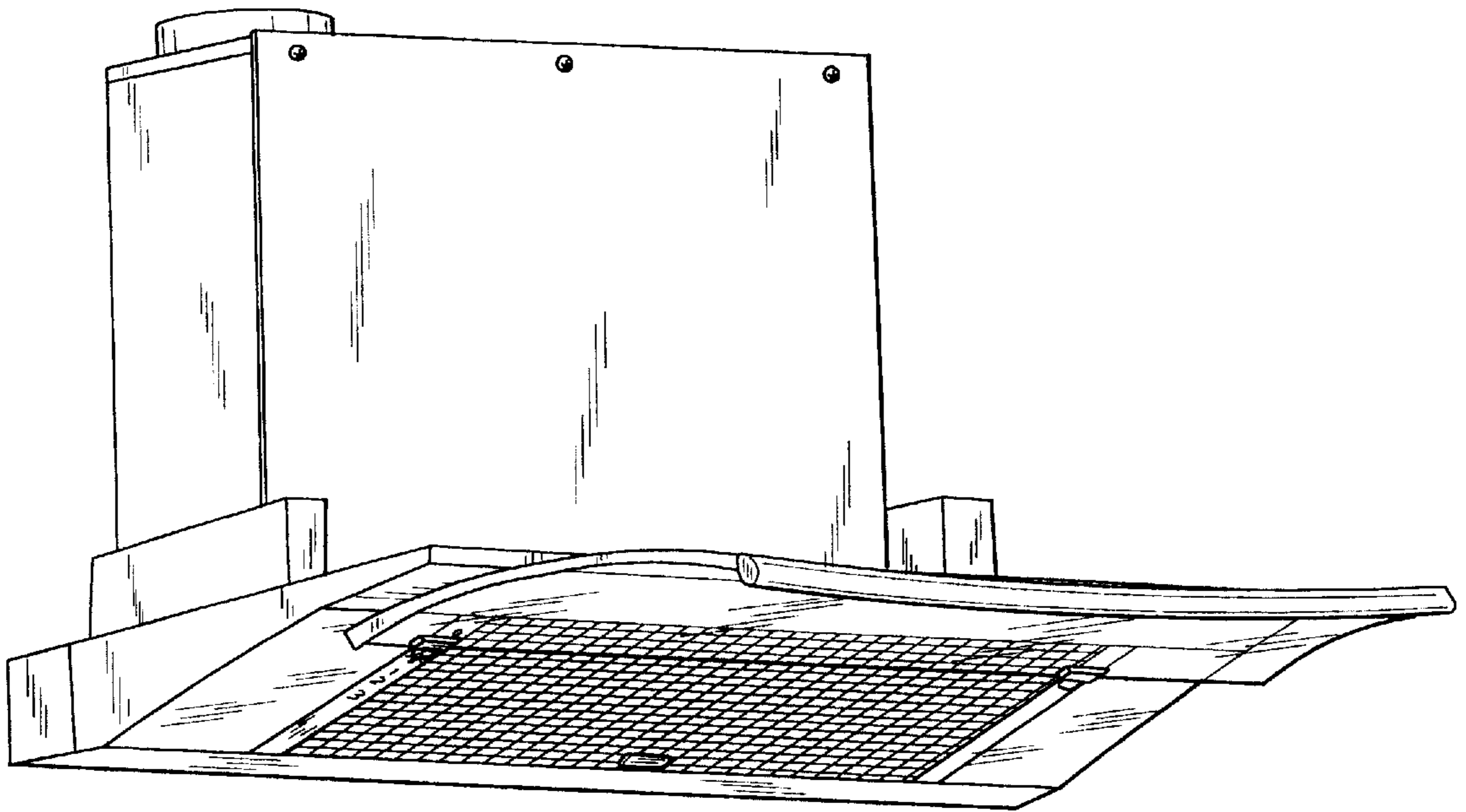


FIG. 2

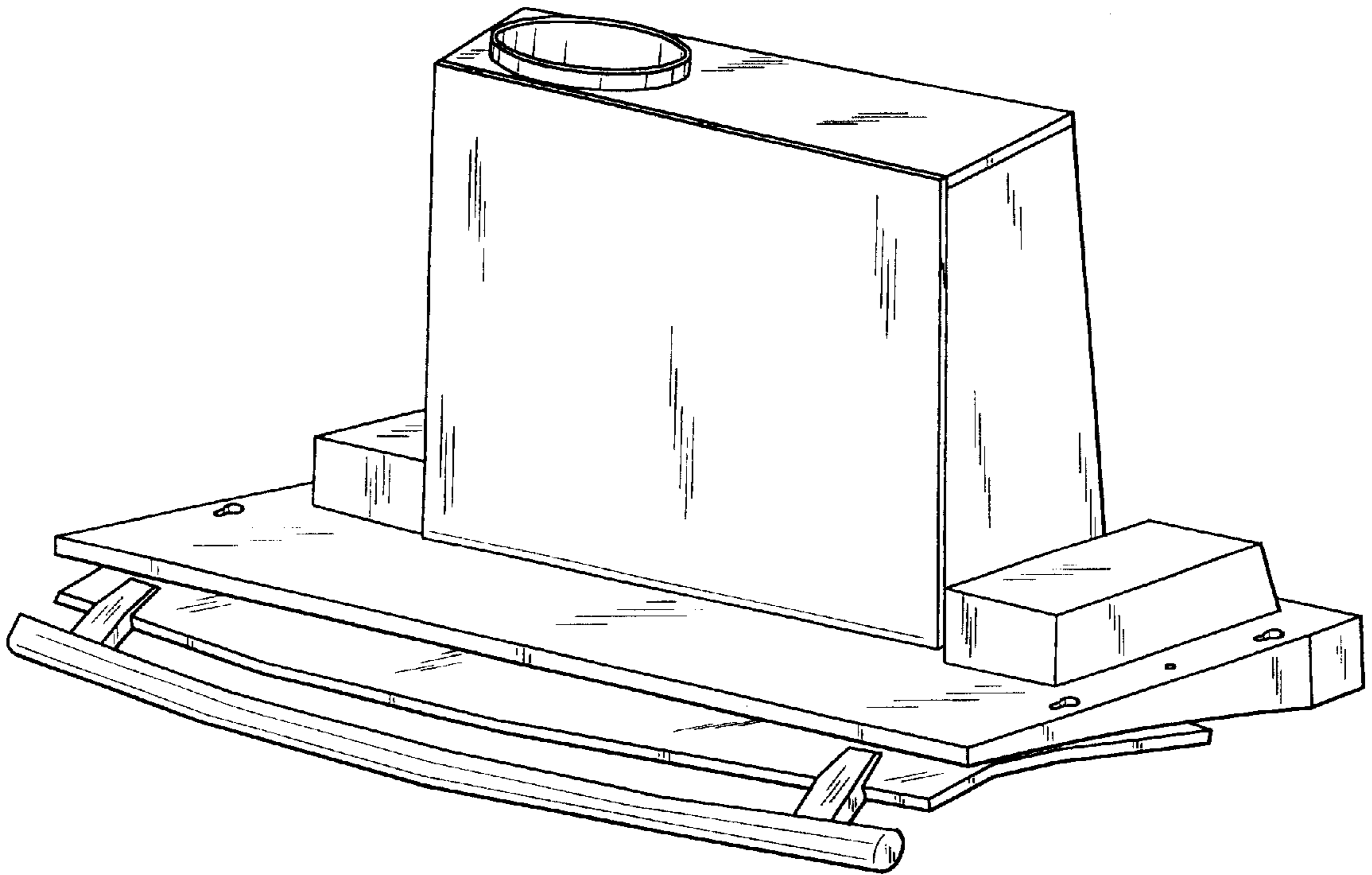


FIG. 3

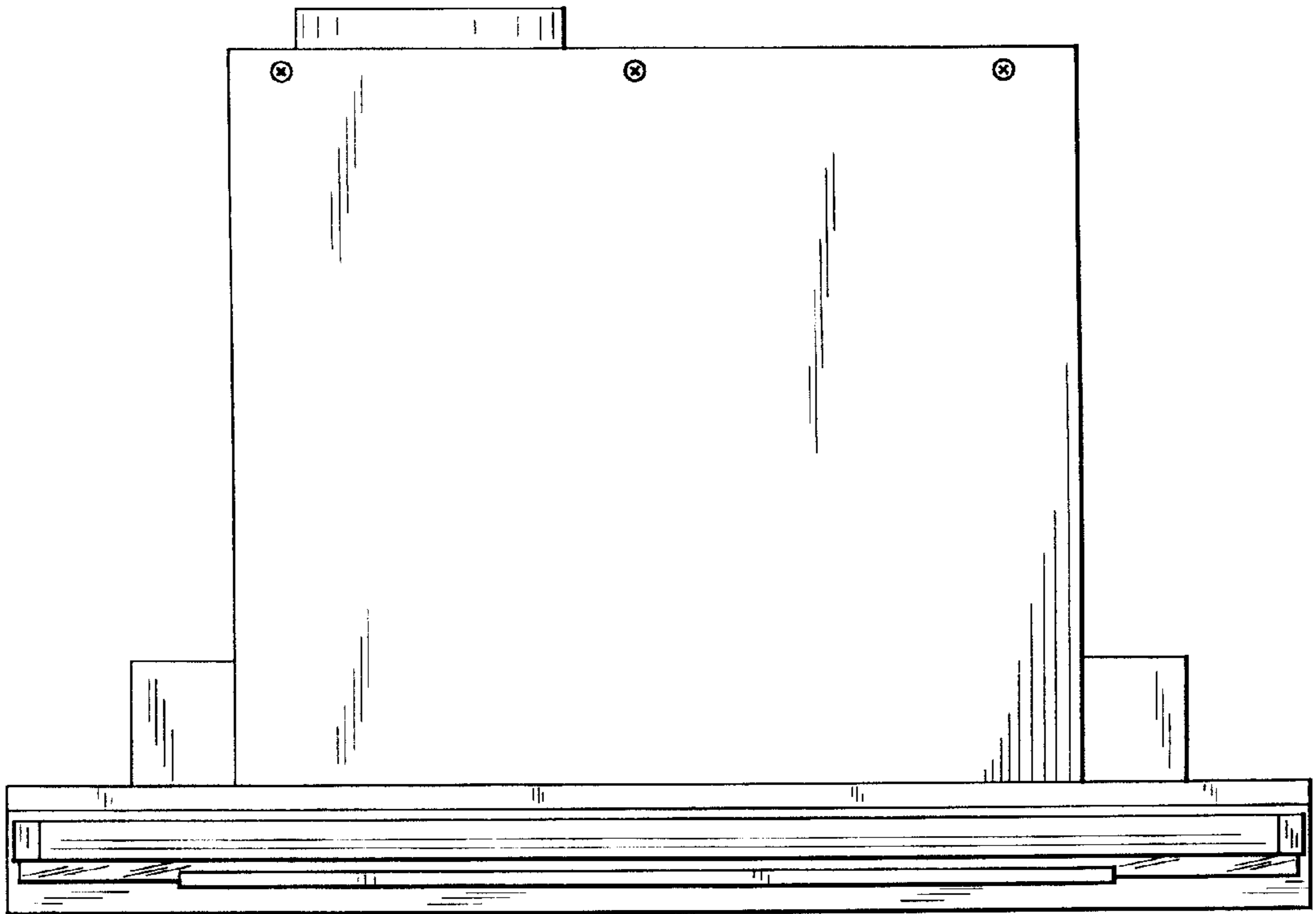


FIG. 4

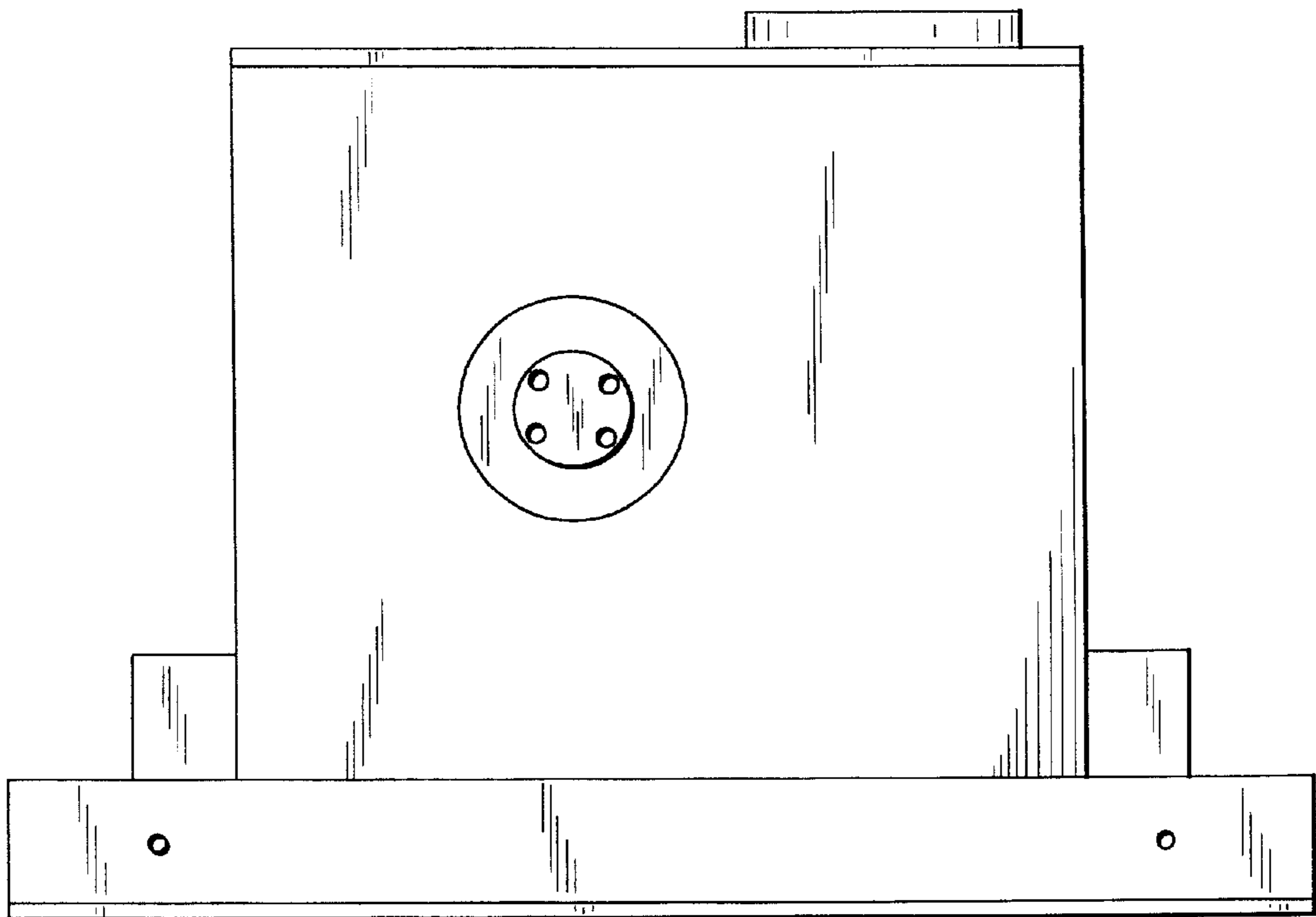


FIG. 5

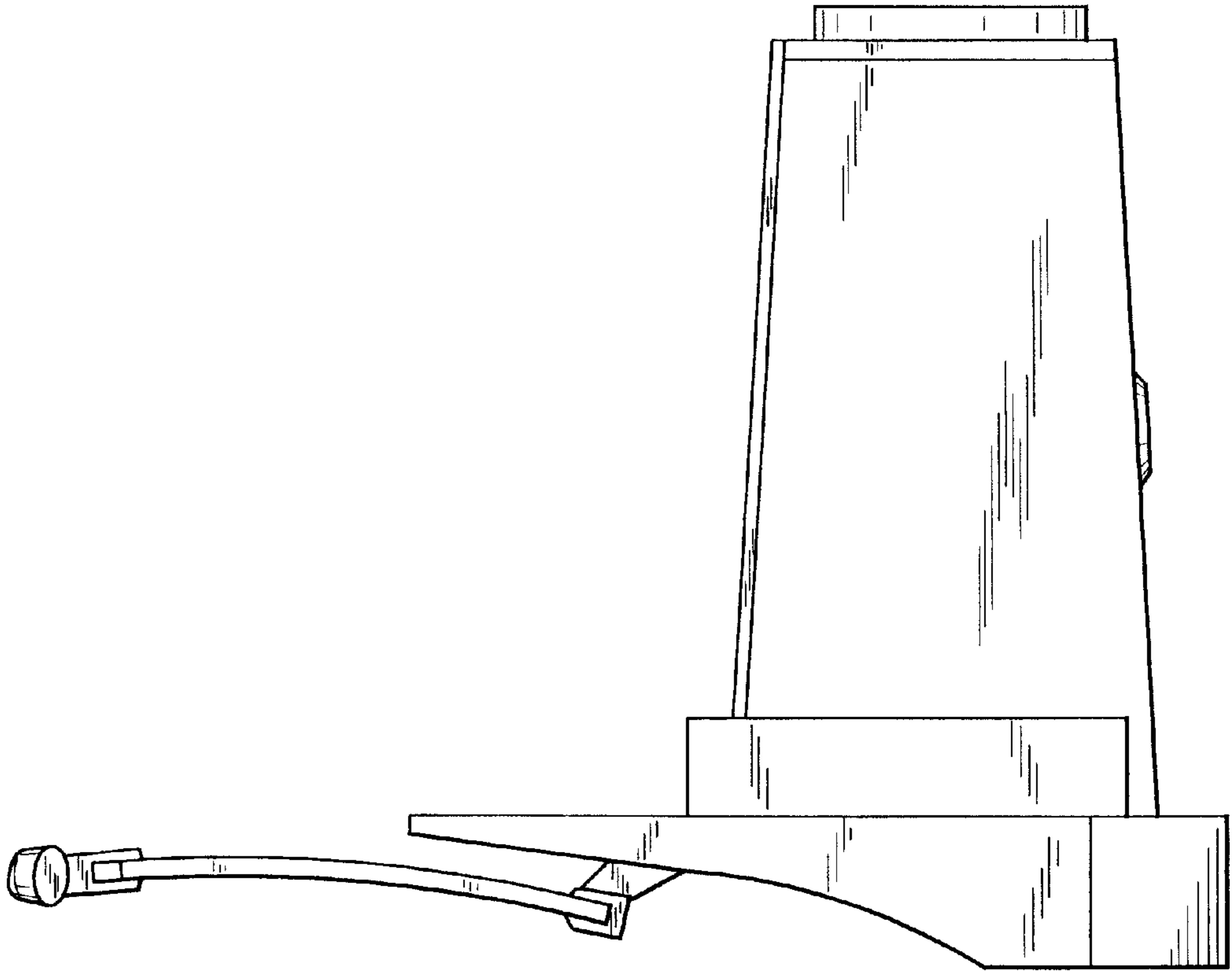


FIG. 6

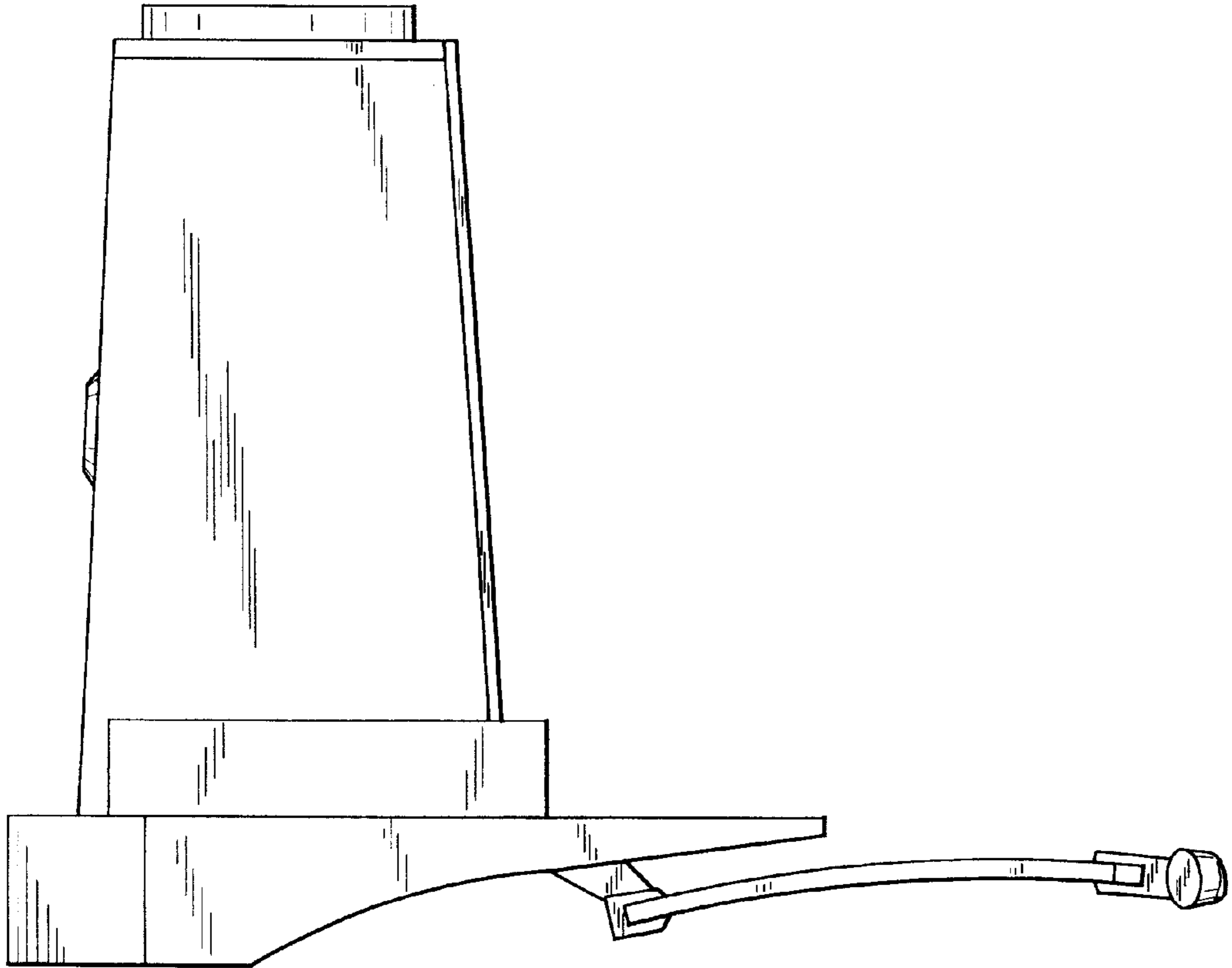


FIG. 7

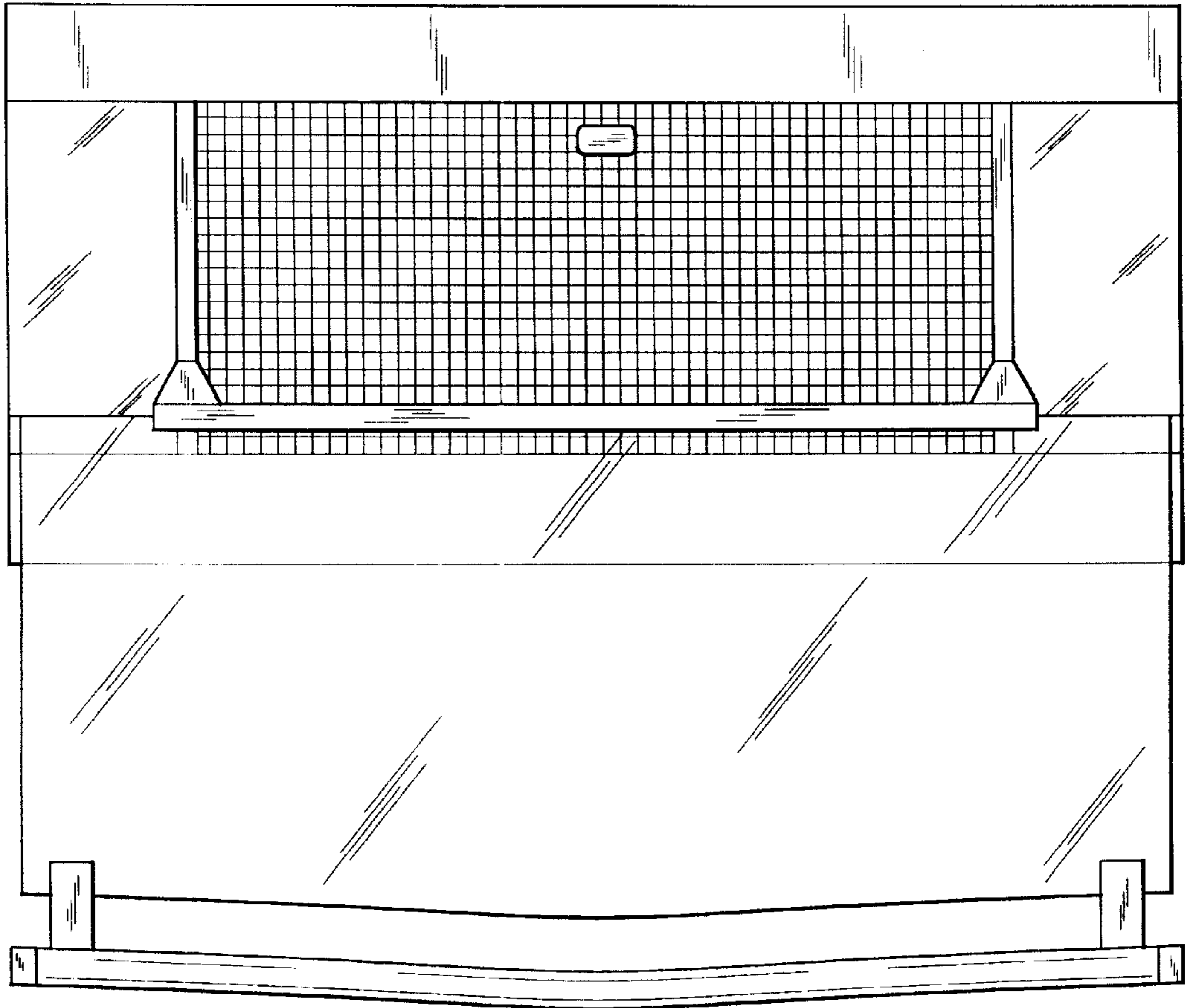


FIG. 8

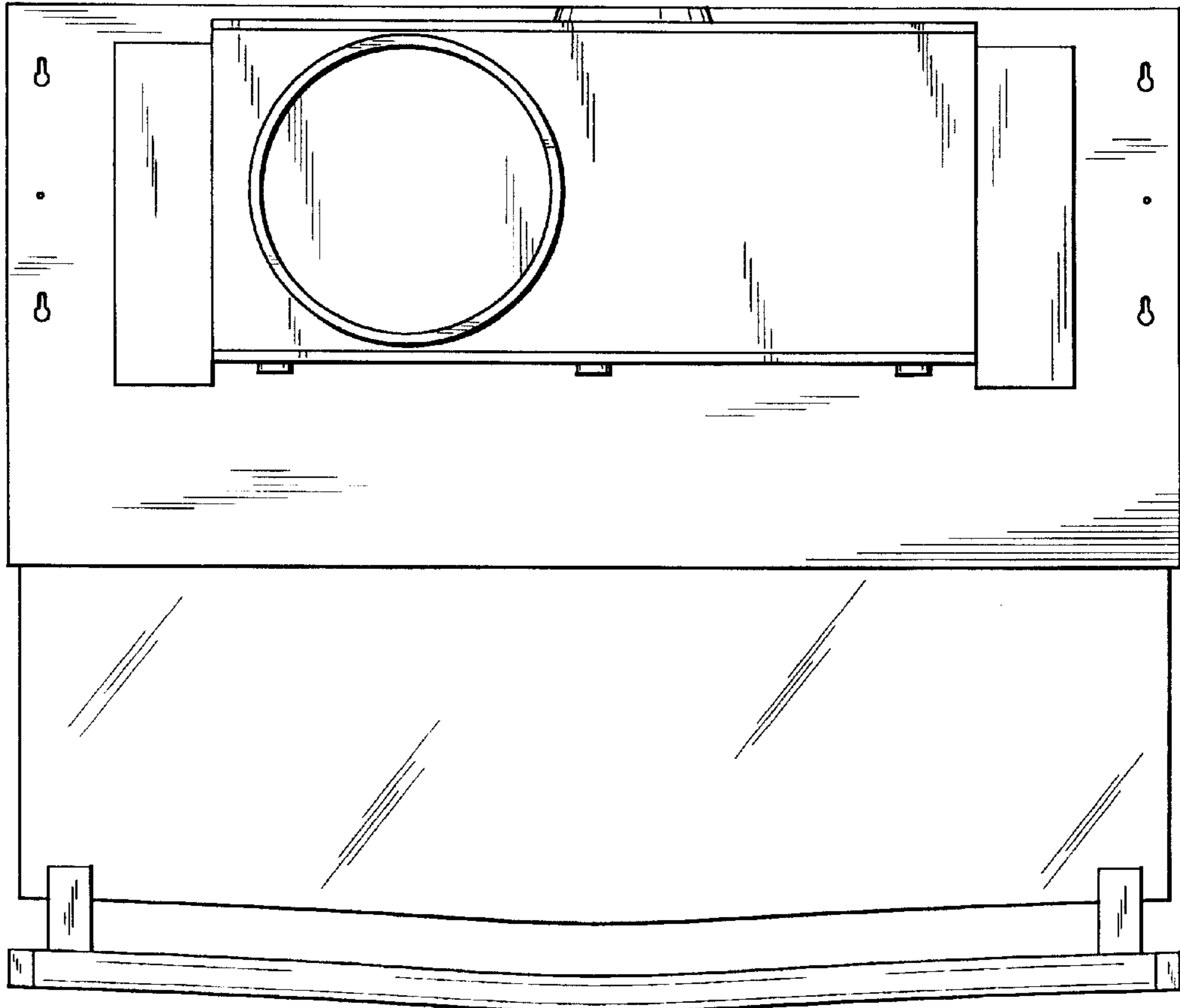


FIG. 9