



US00D444217S

(12) **United States Design Patent**  
**McMahon et al.**

(10) **Patent No.:** **US D444,217 S**

(45) **Date of Patent:** **\*\* Jun. 26, 2001**

(54) **TOILET**

(75) **Inventors:** **Joan McMahon; Mark A. Pondelick,**  
both of Roscoe, IL (US)

(73) **Assignee:** **EVAC International Oy, Helsinki (FI)**

(\*\*) **Term:** **14 Years**

(21) **Appl. No.:** **29/113,934**

(22) **Filed:** **Nov. 15, 1999**

(51) **LOC (7) Cl.** ..... **23-02**

(52) **U.S. Cl.** ..... **D23/295**

(58) **Field of Search** ..... D23/273, 295,  
D23/296-301, 303, 302, 309-313; 4/253,  
300, 321, 328, 329, 245.1, 245.6, 419,  
420, 443, 444, 446, 901, 902, 236

(56) **References Cited**

**U.S. PATENT DOCUMENTS**

D. 195,327	*	6/1963	Lee	.....	D23/299
D. 195,617	*	7/1963	Eger	.....	D23/302
D. 203,381	*	1/1966	Brown	.....	D23/299
D. 241,845	*	10/1976	Shomsie	.....	D23/299
245,833	*	8/1881	Imse	.....	D23/296

D. 385,021	*	10/1997	White	.....	D23/299
1,017,675	*	2/1912	King	.....	D23/299
1,045,927	*	12/1912	Zeleny et al.	.....	4/236
3,251,068	*	5/1966	Milette et al.	.....	D23/299 X
3,289,214	*	12/1966	Corliss	.....	4/321
3,638,244	*	2/1972	Schmid et al.	.....	4/420 X

\* cited by examiner

*Primary Examiner*—Louis S. Zarfaz

*Assistant Examiner*—Robert A. Delehanty

(74) *Attorney, Agent, or Firm*—Marshall, O’Toole,  
Gerstein, Murray & Borun

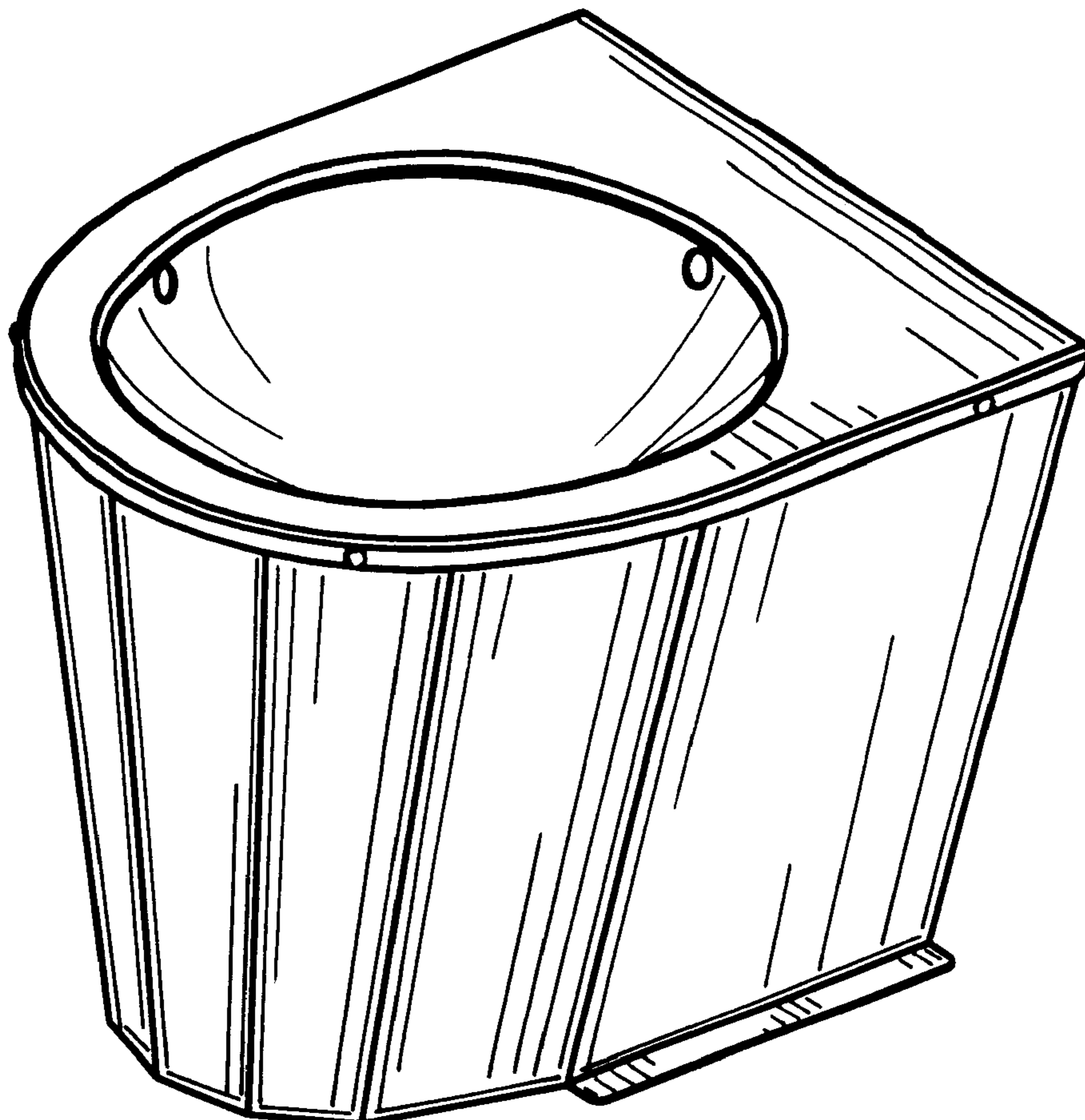
(57) **CLAIM**

The ornamental design for a “Toilet”, as shown and described.

**DESCRIPTION**

FIG. 1 is a front elevational view showing our new design; FIG. 2 is a right side elevational view thereof, the left side view being identical thereto; FIG. 3 is a rear elevational view thereof; FIG. 4 is a top plan view thereof; FIG. 5 is a bottom plan view thereof; and, FIG. 6 is a perspective view thereof.

**1 Claim, 2 Drawing Sheets**



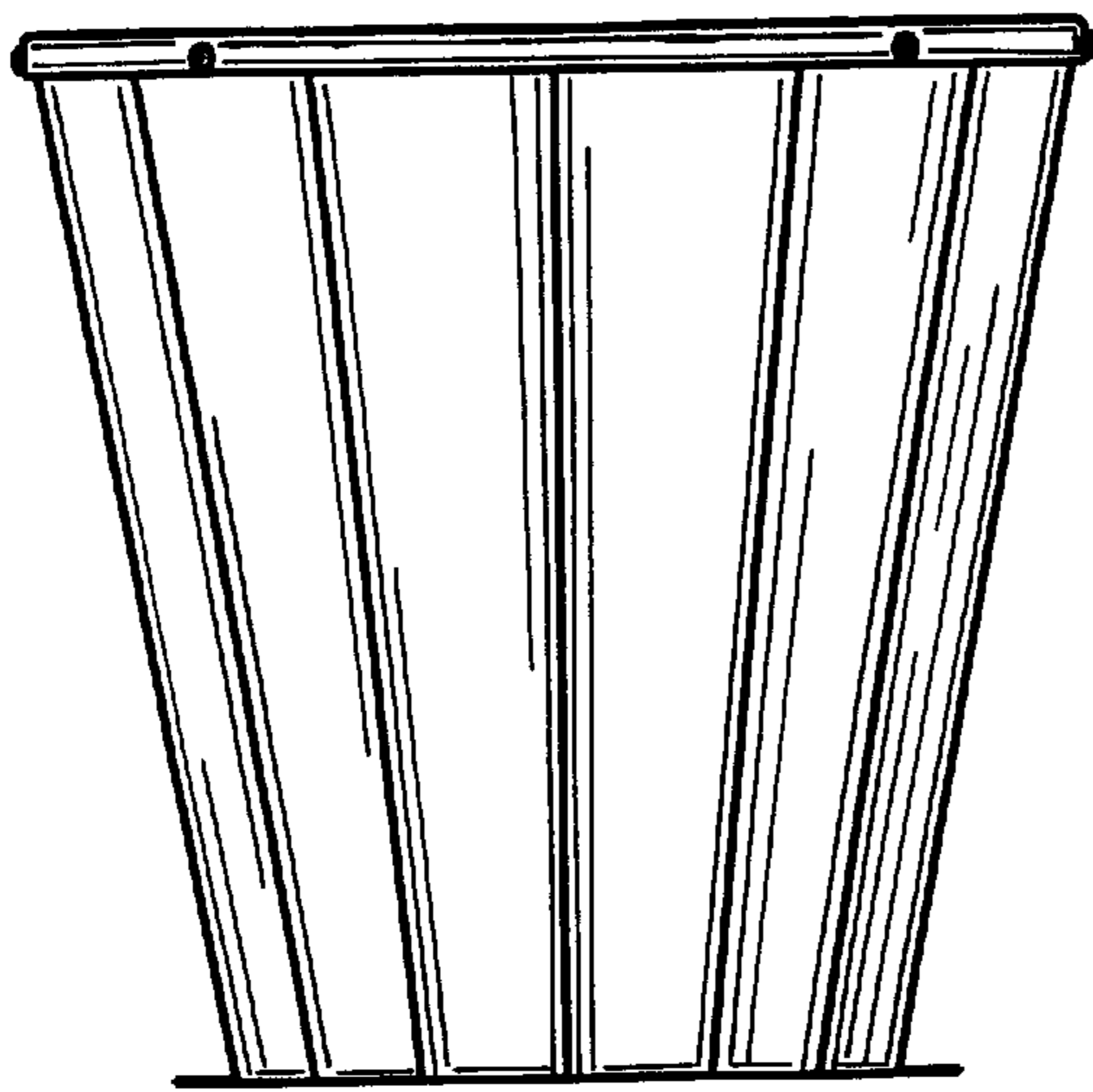


FIG. 1

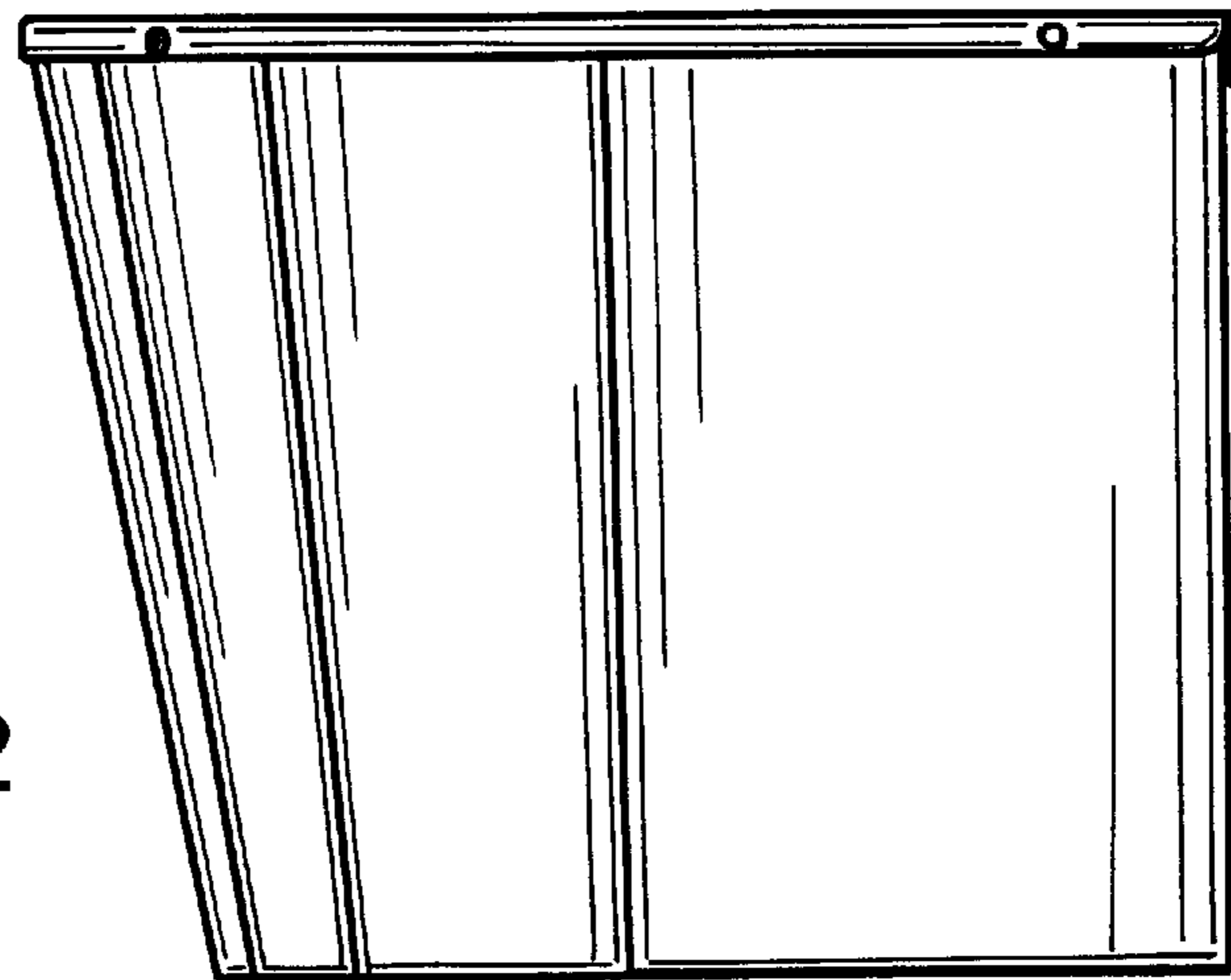


FIG. 2

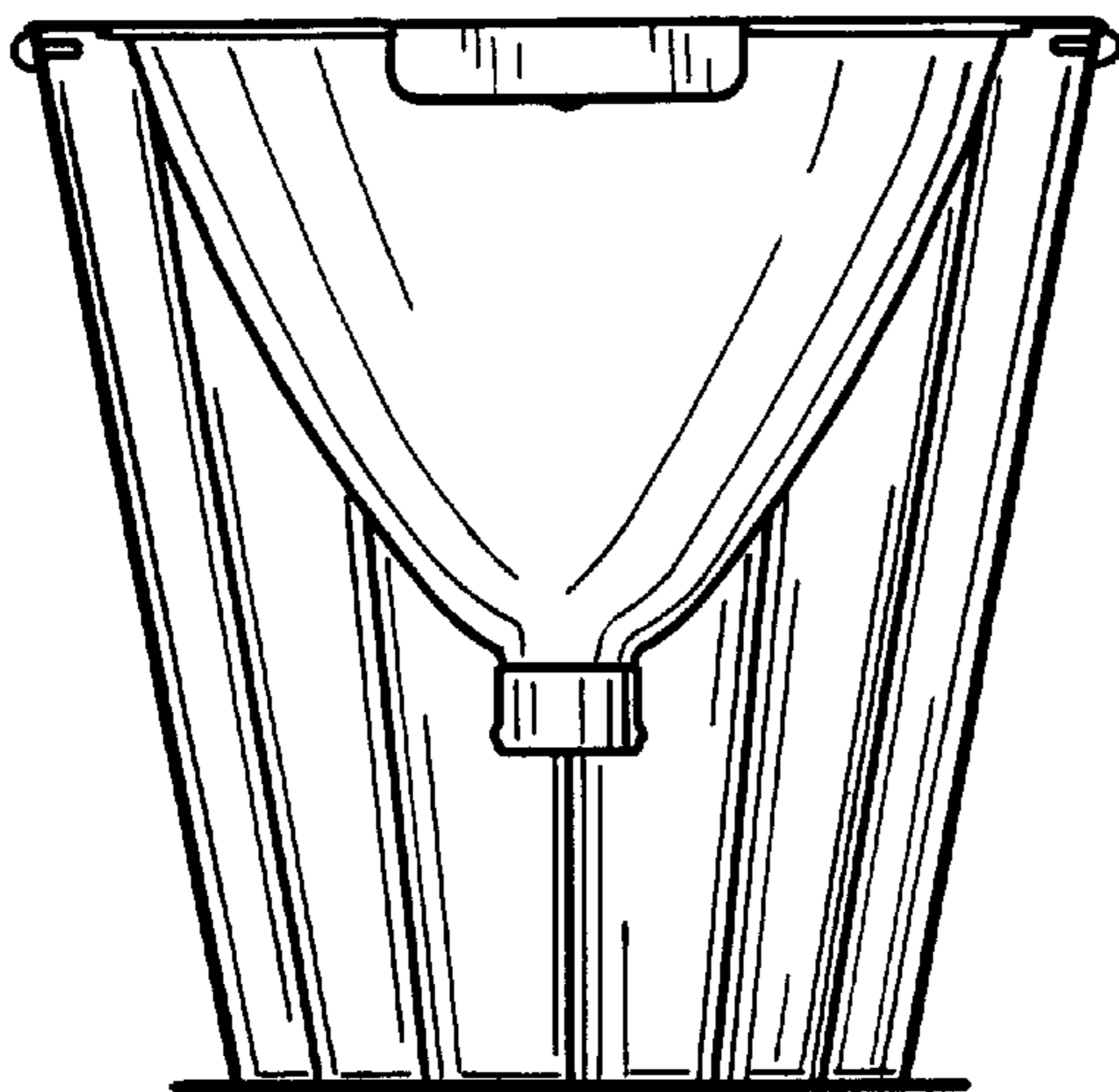


FIG. 3

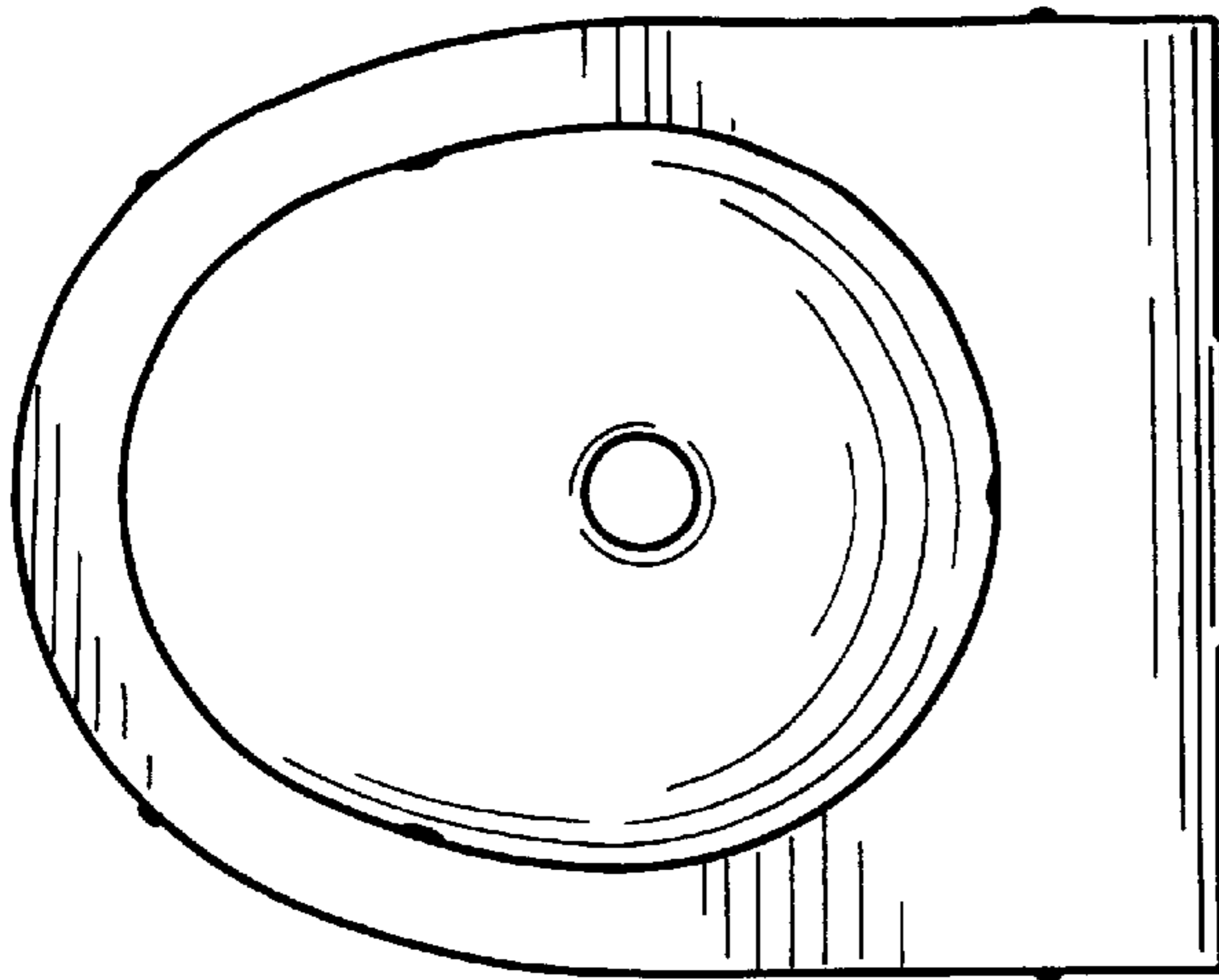


FIG. 4

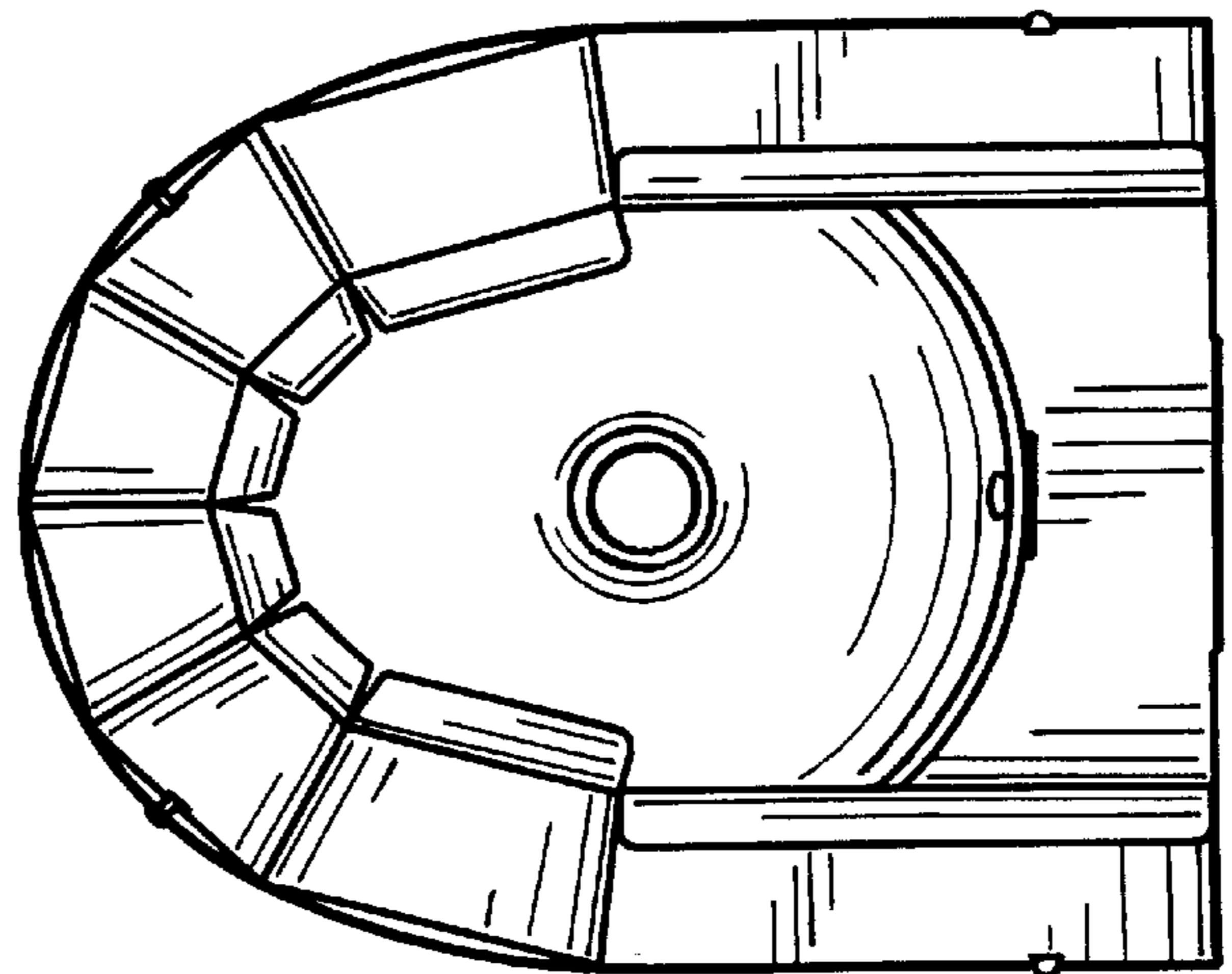


FIG. 5

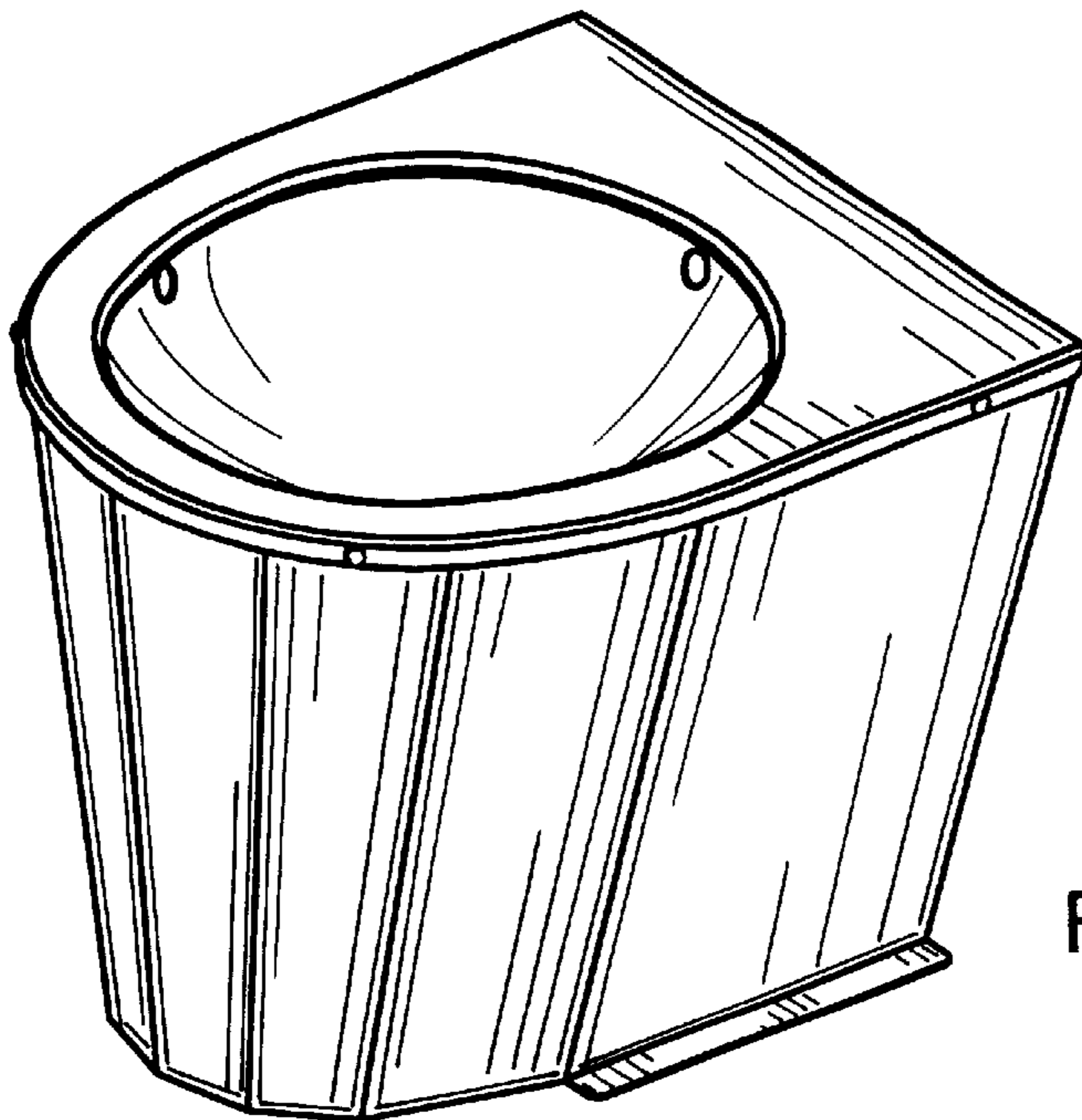


FIG. 6