



US00D444216S

(12) **United States Design Patent**
Katz et al.

(10) **Patent No.:** **US D444,216 S**

(45) **Date of Patent:** **** *Jun. 26, 2001**

(54) **SINK CONFIGURATION HAVING A BACKSPLASH, RIM AND TOWEL BAR**

(75) Inventors: **Ronald C. Katz**, Hinsdale; **Michael S. Gicela**, Wheaton; **Jon W. Hauser, II**, Geneva; **Teresa H. Murray**, Oak Park, all of IL (US)

(73) Assignee: **Elkay Manufacturing Co.**, Oak Brook, IL (US)

(*) Notice: This patent is subject to a terminal disclaimer.

(**) Term: **14 Years**

(21) Appl. No.: **29/107,203**

(22) Filed: **Jun. 29, 1999**

(51) **LOC (7) Cl.** **23-02**

(52) **U.S. Cl.** **D23/284**

(58) **Field of Search** D23/284-293.1;
4/619, 624-650

(56) **References Cited**

U.S. PATENT DOCUMENTS

D. 76,745	*	10/1928	Frankenberger	D23/286
D. 88,405	*	11/1932	Hagopian	D23/286
D. 121,814	*	8/1940	Keller	D23/286
D. 148,795	*	2/1948	Keller	D23/287
D. 184,171	*	12/1958	Felcan	D23/286
D. 253,300	*	10/1979	Kinsey	D23/287
D. 261,028	*	9/1981	Bitvai	D23/284
D. 401,678	*	11/1998	Scheel et al.	D23/286
D. 412,741	*	8/1999	Pepin	D23/286

OTHER PUBLICATIONS

Elkay Brochure, *Residential and Commercial sinks and Accessories* (53 Pages). Elkay "Sink Top Selections" p. 46 (remainder of pages provided for completeness). These sink tops have been on sale prior to Jun. 29, 1998.

Elkay Brochure, *Sink Tops . . . Classic Style with the Elegance of Stainless Steel* (2 Pages). These sink tops have been on sale prior to Jun. 29, 1998.

Just Manufacturing Company Brochure, *The Royalty Group Marquis Standard Sink Tops 18 Gauge Only* (8 Pages). These sink tops have been on sale prior to Jun. 29, 1998.

* cited by examiner

Primary Examiner—Doris Clark

(74) *Attorney, Agent, or Firm*—Leydig, Voit & Mayer, Ltd.

(57) **CLAIM**

The ornamental design for a sink configuration having a backsplash, rim and towel bar, as shown and described.

DESCRIPTION

FIG. 1 is a perspective view taken from the top, front and right side of a sink configuration having backsplash, rim and towel bar showing our new design;

FIG. 2 is a top plan view thereof;

FIG. 3 is a front view thereof;

FIG. 4 is a bottom view thereof, and of the sink configuration having backsplash, rim, and towel bar shown in FIGS. 16 and 25;

FIG. 5 is a right side view thereof;

FIG. 6 is a perspective view taken from the top, front and right side of a second embodiment of FIG. 1, the only differences being the number and shape of the bowls;

FIG. 7 is a top plan view of the sink configuration having a backsplash, rim and towel bar shown in FIG. 6;

FIG. 8 is a front view of the sink configuration having a backsplash, rim and towel bar shown in FIG. 6;

FIG. 9 is a bottom view of the sink configuration having a backsplash, rim and towel bar shown in FIGS. 6, 19 and 29;

FIG. 10 is a right side view of the sink configuration having a backsplash, rim and towel bar shown in FIG. 6;

FIG. 11 is a perspective view taken from the top, front and right side of a third embodiment of FIG. 1, the only differences being the number and shape of the bowls;

FIG. 12 is a top plan view of the sink configuration having a backsplash, rim and towel bar shown in FIG. 11;

FIG. 13 is a front view of the sink configuration having a backsplash, rim and towel bar shown in FIG. 11;

FIG. 14 is a bottom view of the sink configuration having a backsplash, rim and towel bar shown in FIGS. 11, 22 and 33;

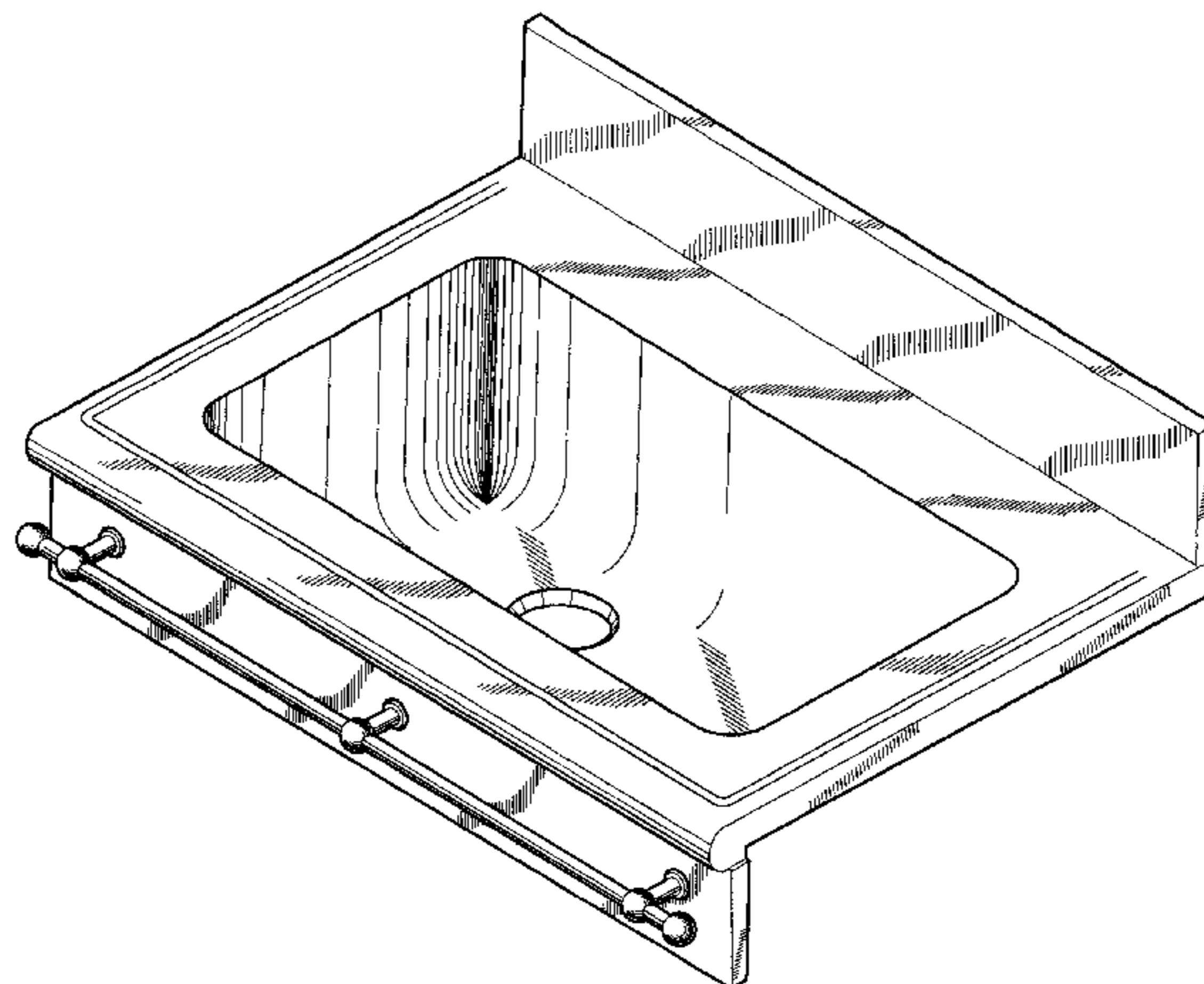


FIG. 15 is a right side view of the sink configuration having a backsplash, rim and towel bar shown in FIG. 11;
FIG. 16 is a top plan view of a fourth embodiment of FIG. 1, the only difference being the top edge of the backsplash;
FIG. 17 is a front view of the sink configuration having a backsplash, rim and towel bar shown in FIG. 16;
FIG. 18 is a right side view of the sink configuration having a backsplash, rim and towel bar shown in FIG. 16;
FIG. 19 is a top plan view of a fifth embodiment of FIG. 1, the only differences being the number and shape of the bowls and the top edge of the backsplash;
FIG. 20 is a front view of the sink configuration having a backsplash, rim and towel bar shown in FIG. 19;
FIG. 21 is a right side view of the sink configuration having a backsplash, rim and towel bar shown in FIG. 19;
FIG. 22 is a top plan view of a sixth embodiment of FIG. 1, the only differences being the number and shape of the bowls and the top edge of the backsplash;
FIG. 23 is a front view of the sink configuration having a backsplash, rim and towel bar shown in FIG. 22;
FIG. 24 is a right side view of the sink configuration having a backsplash, rim and towel bar shown in FIG. 22;
FIG. 25 is a perspective view taken from the top, front and right side of a seventh embodiment of FIG. 1, the only difference being the top edge of the backsplash;
FIG. 26 is a top plan view of the sink configuration having a backsplash, rim and towel bar shown in FIG. 25;
FIG. 27 is a front view of the sink configuration having a backsplash, rim and towel bar shown in FIG. 25;

FIG. 28 is a right side view of the sink configuration having a backsplash, rim and towel bar shown in FIG. 25;
FIG. 29 is a perspective view taken from the top, front and right side of an eighth embodiment of FIG. 1, the only differences being the number and shape of the bowls and the top edge of the backsplash;
FIG. 30 is a top plan view of the sink configuration having a backsplash, rim and towel bar shown in FIG. 29;
FIG. 31 is a front view of the sink configuration having a backsplash, rim and towel bar shown in FIG. 29;
FIG. 32 is a right side view of the sink configuration having a backsplash, rim and towel bar shown in FIG. 29;
FIG. 33 is a perspective view taken from the top, front and right side of a ninth embodiment of FIG. 1, the only differences being the number and shape of the bowls and the top edge of the backsplash;
FIG. 34 is a top plan view of the sink configuration having a backsplash, rim and towel bar shown in FIG. 33;
FIG. 35 is a front view of the sink configuration having a backsplash, rim and towel bar shown in FIG. 33; and,
FIG. 36 is a right side view of the sink configuration having a backsplash, rim and towel bar shown in FIG. 33.
The drawings do not include a view from the back, as the back is unornamented.

1 Claim, 15 Drawing Sheets

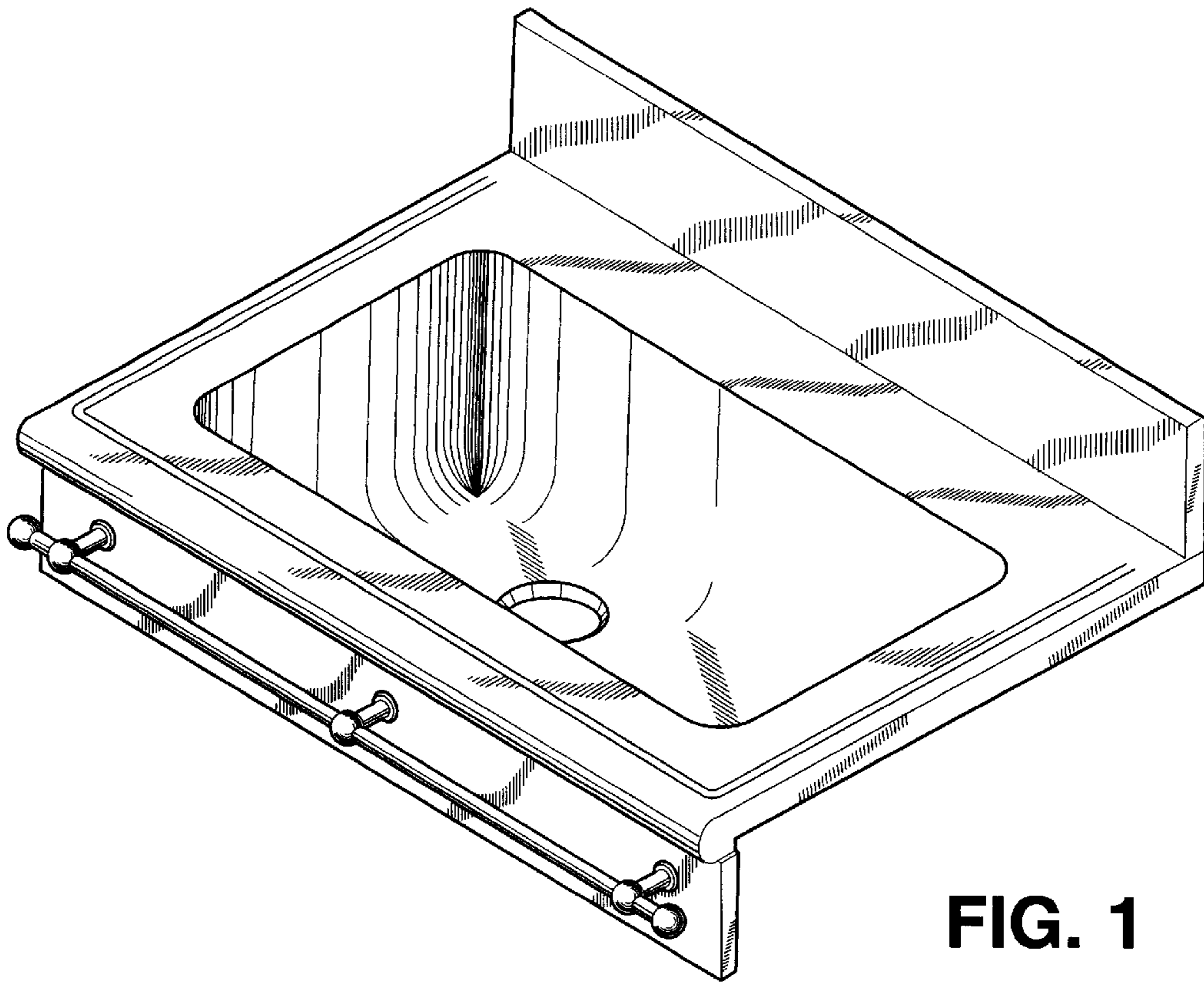


FIG. 1

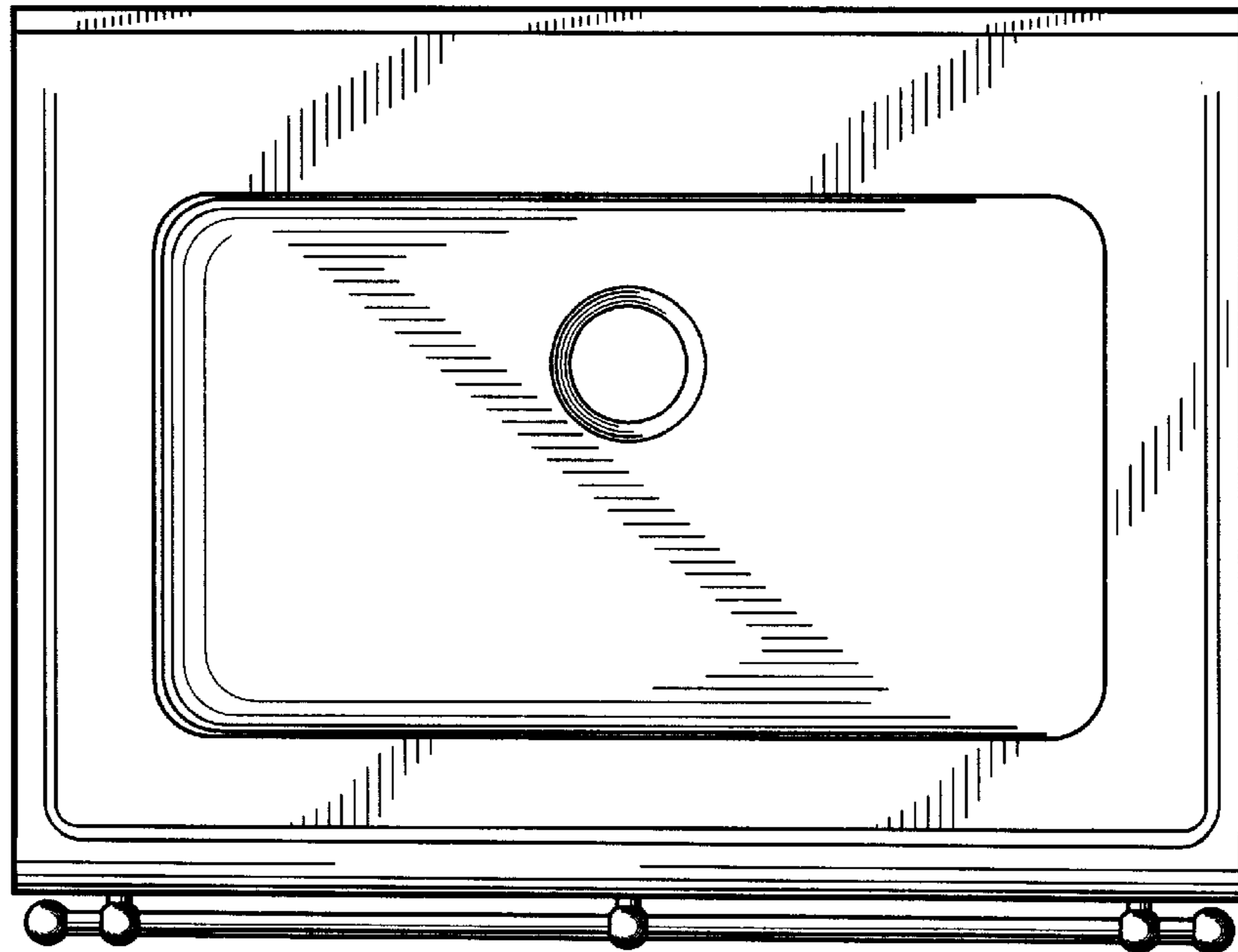


FIG. 2

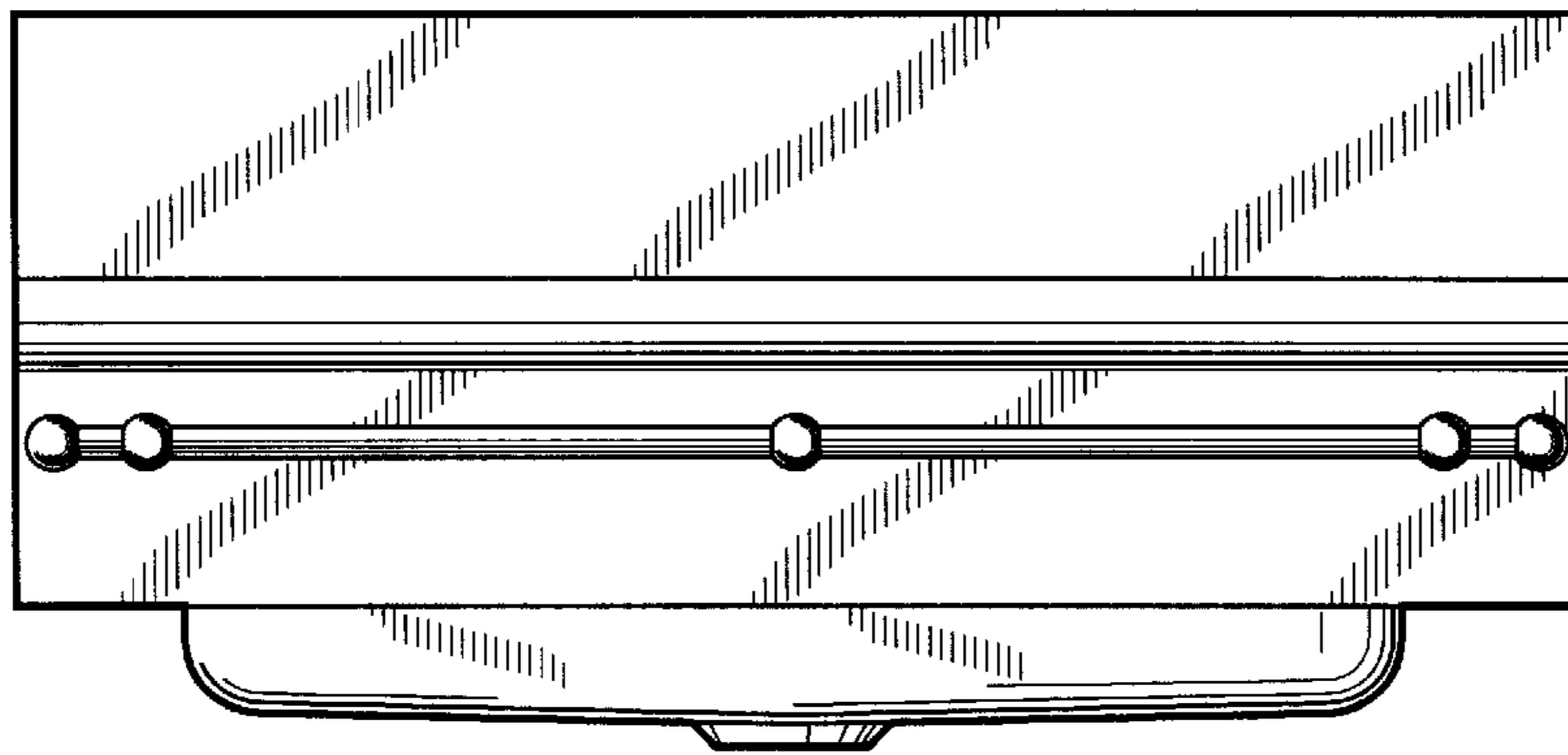


FIG. 3

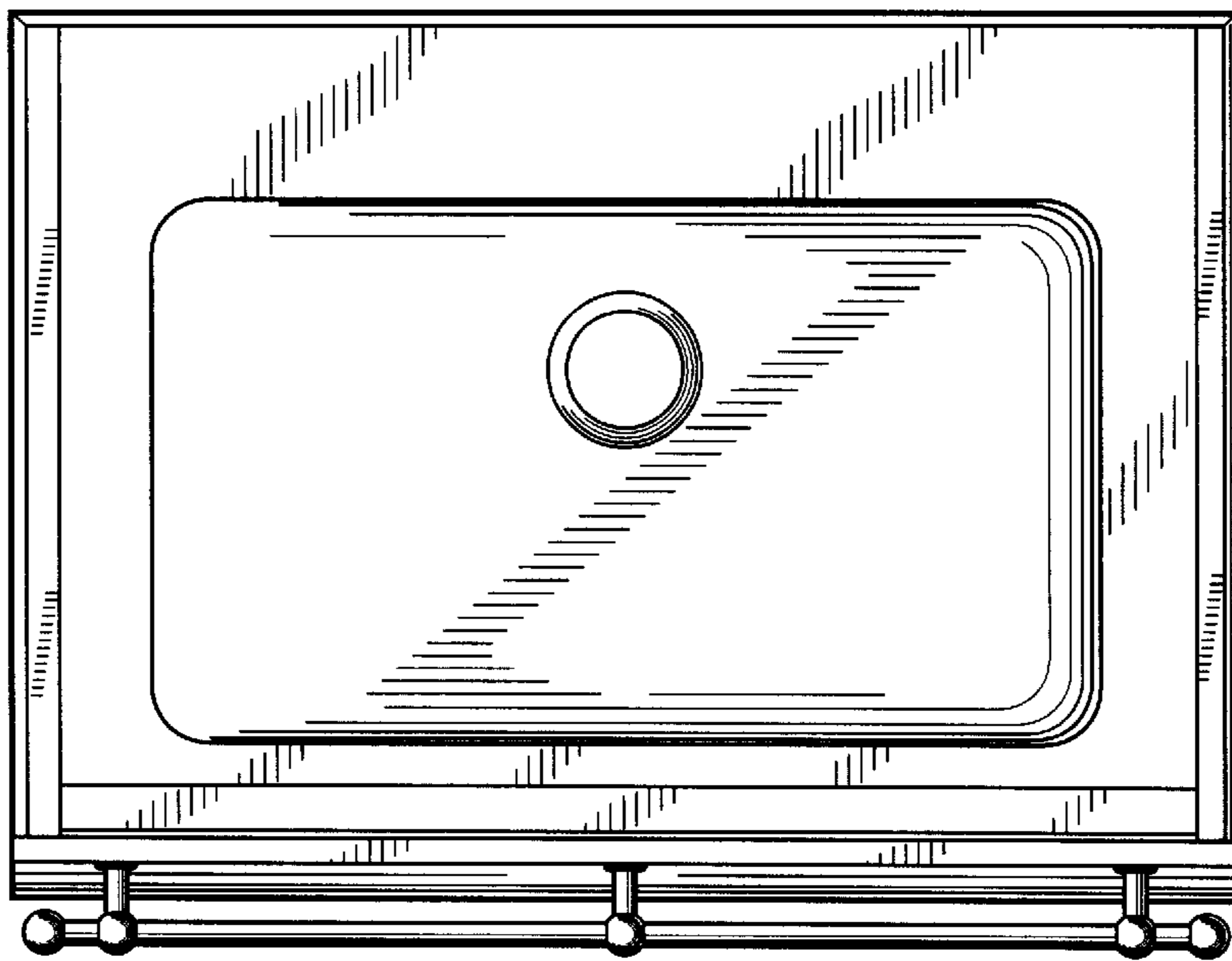


FIG. 4

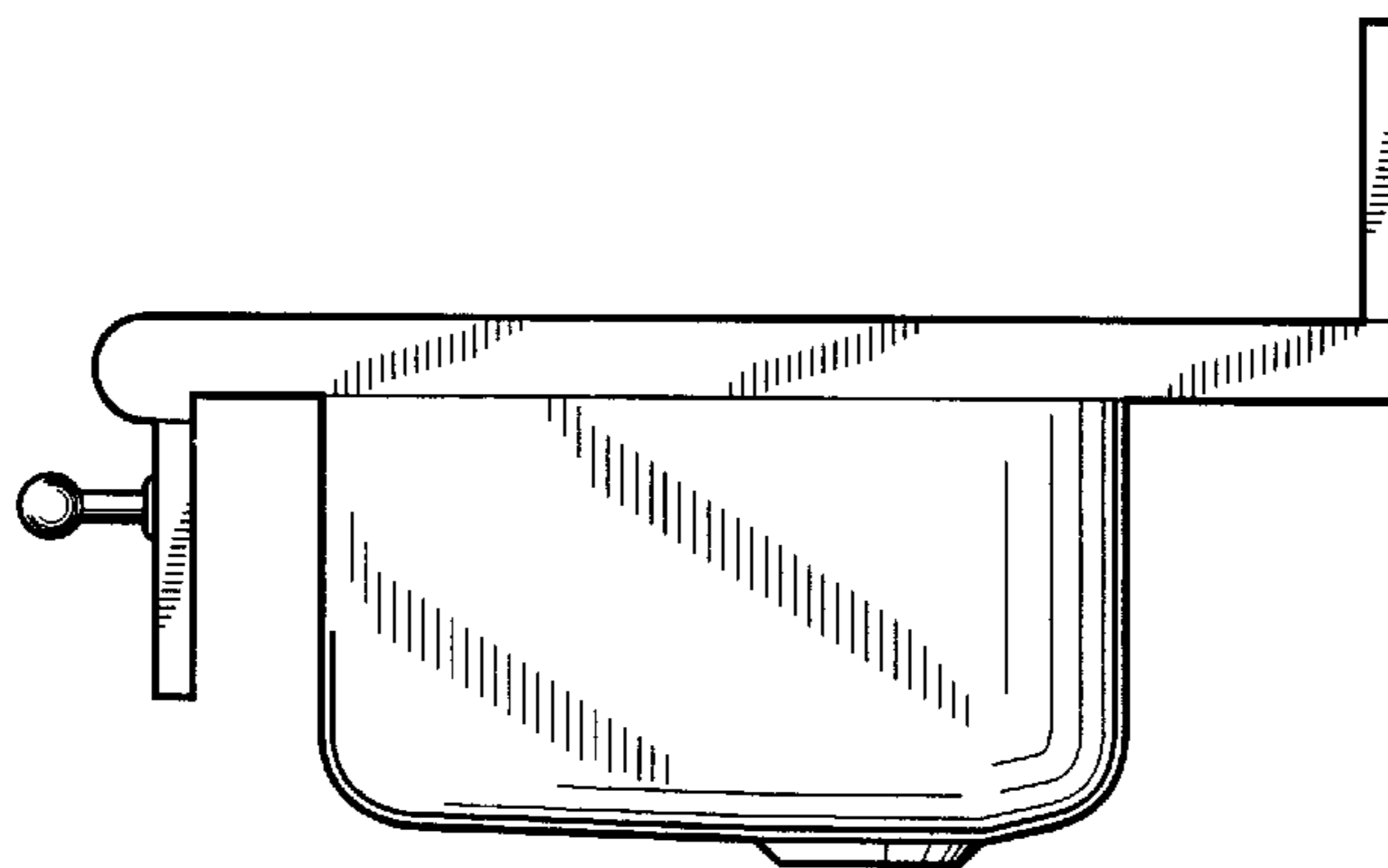


FIG. 5

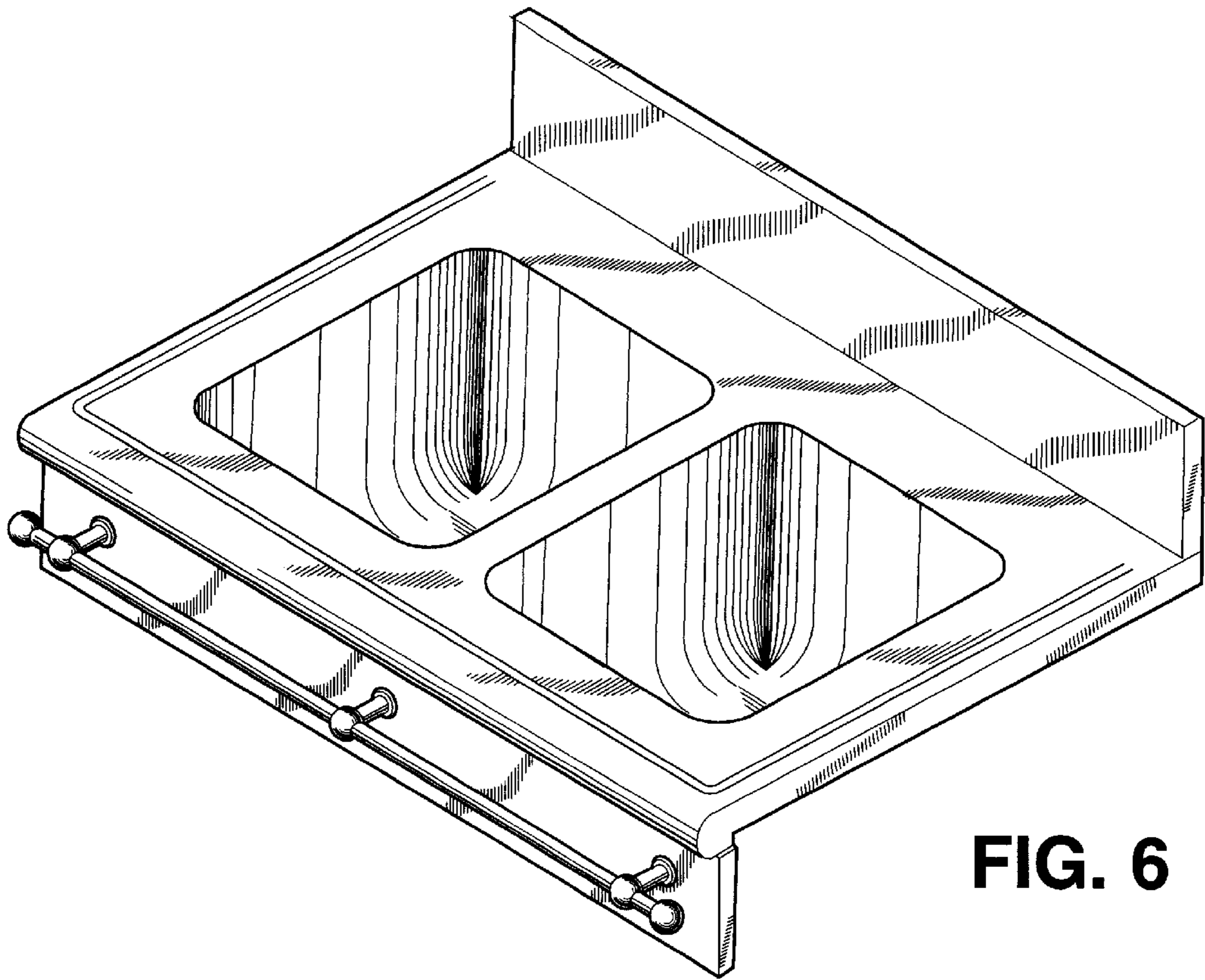


FIG. 6

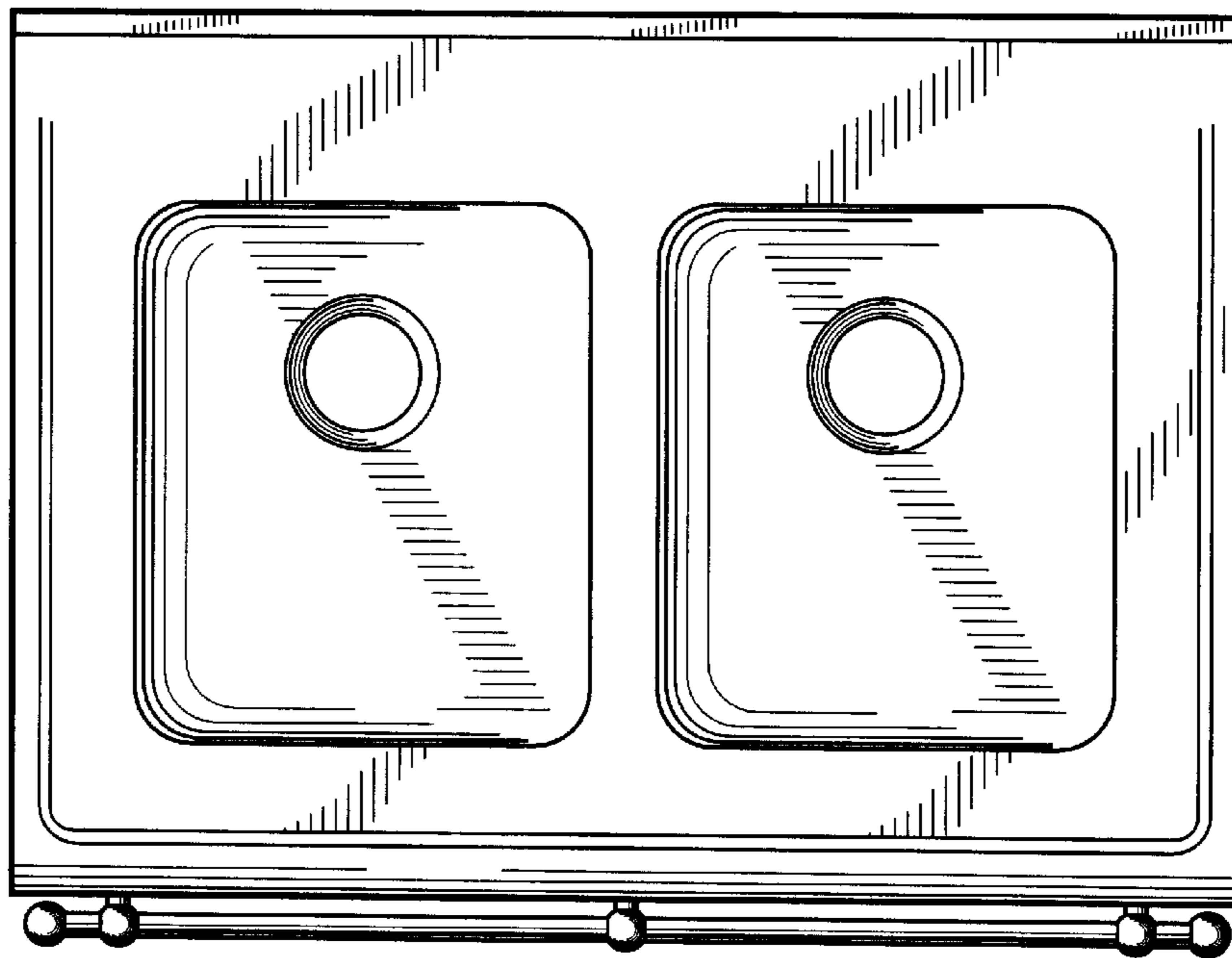


FIG. 7

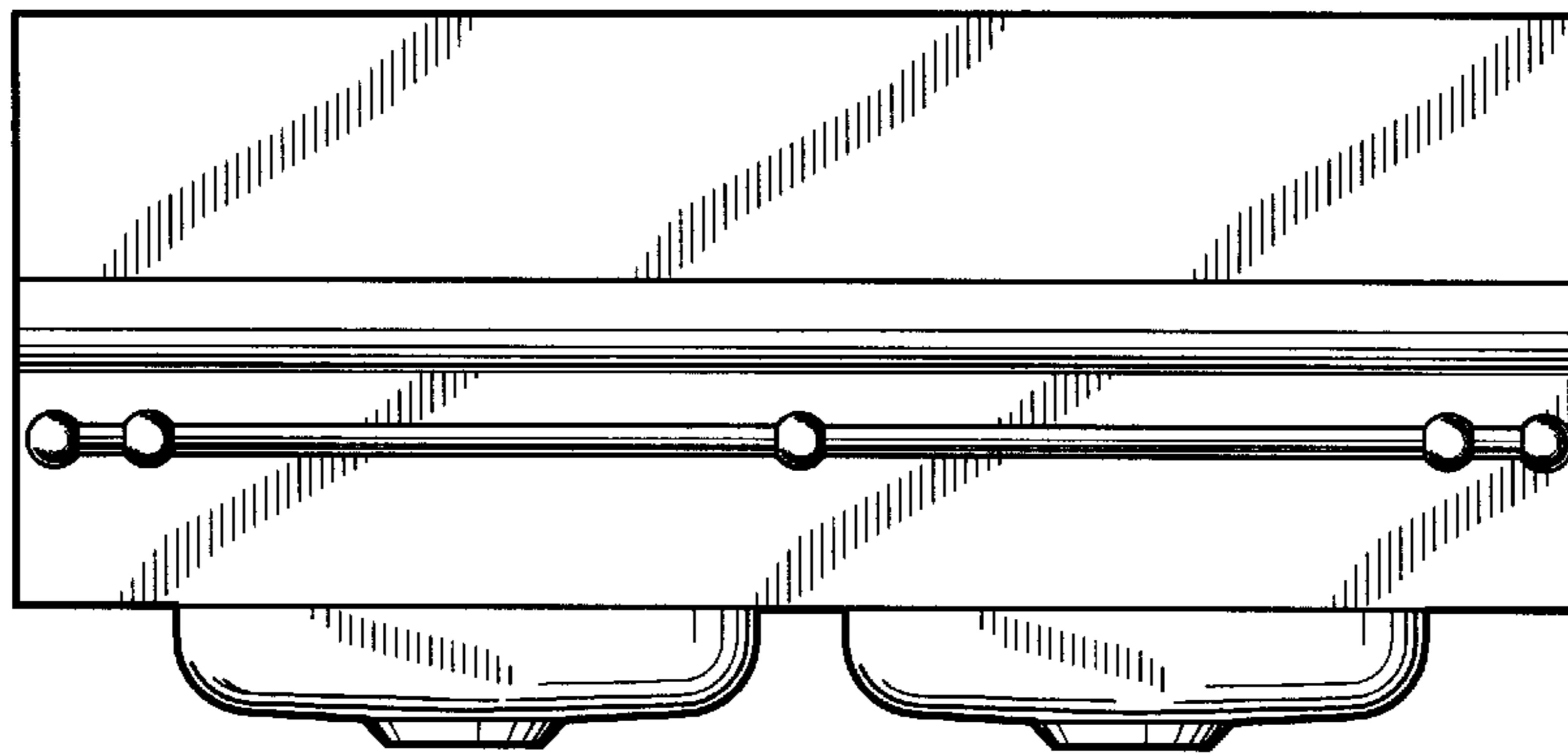


FIG. 8

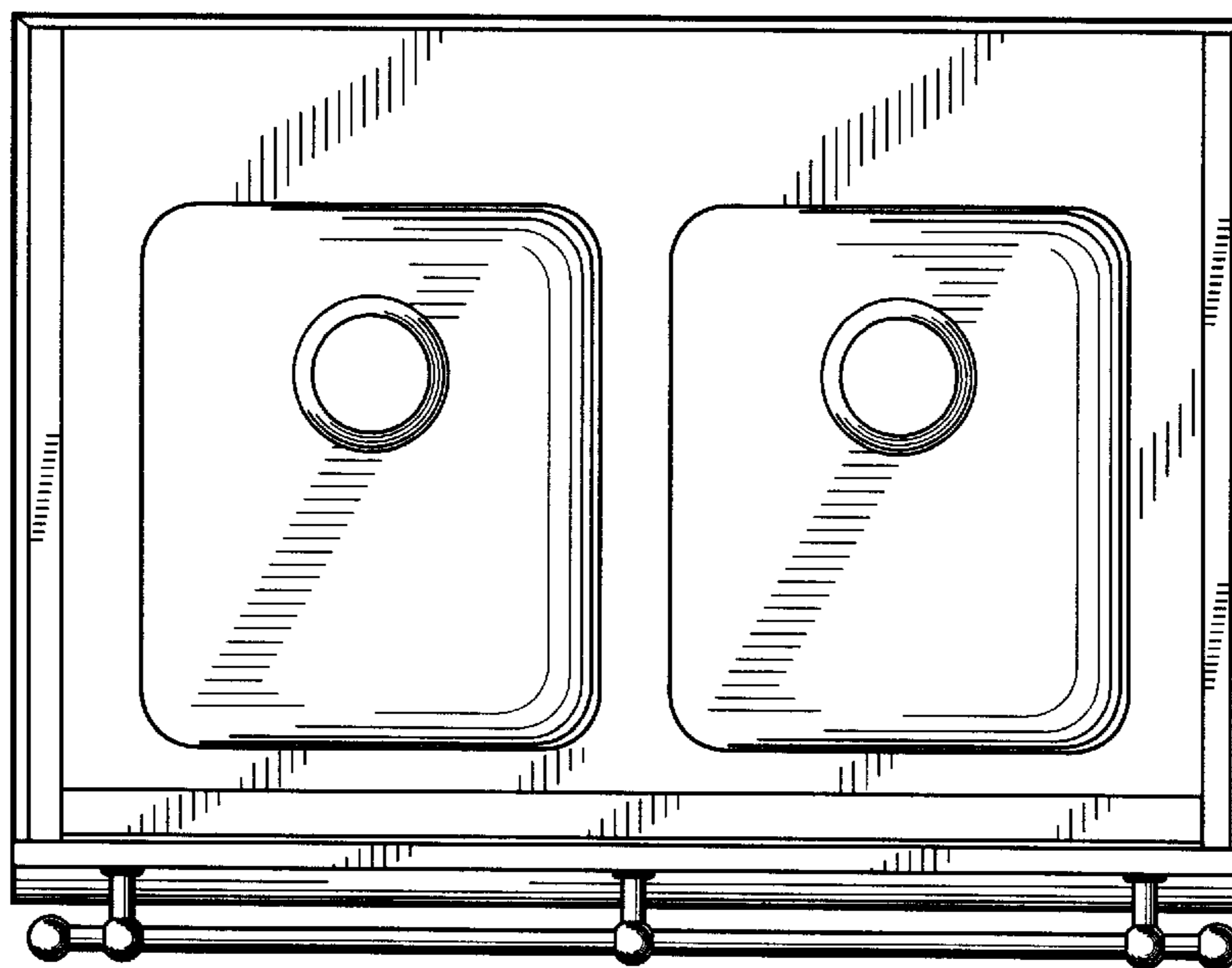


FIG. 9

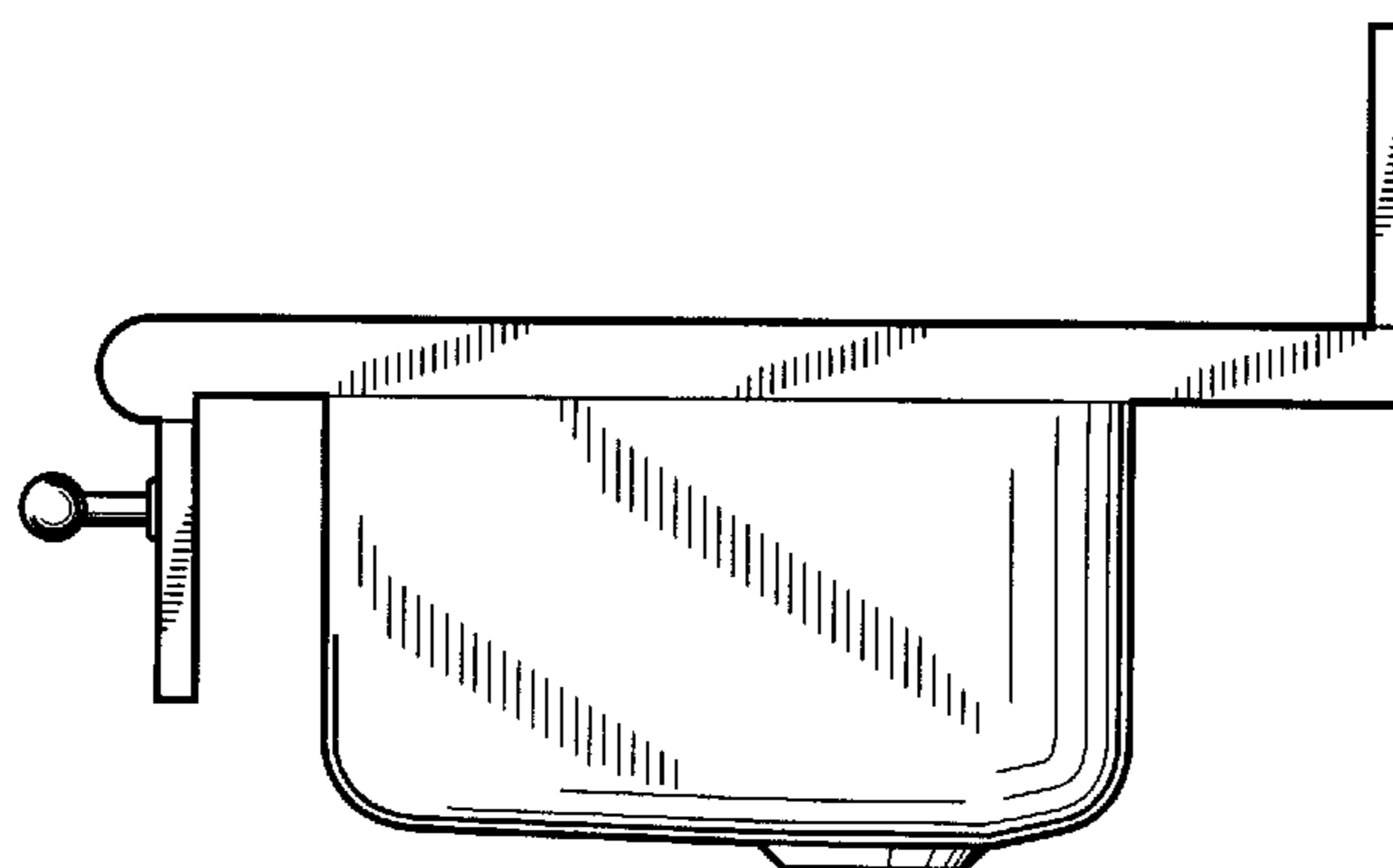


FIG. 10

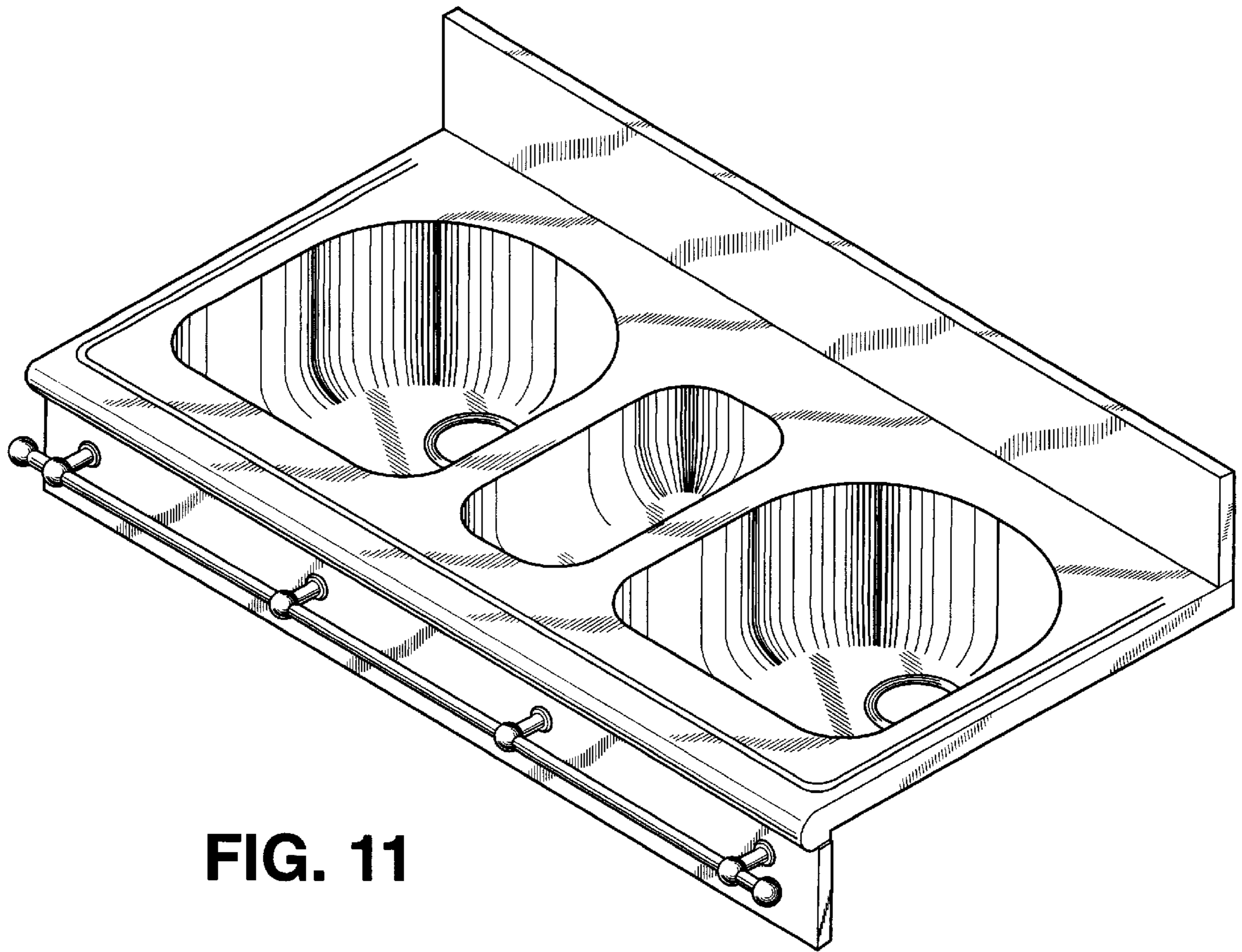


FIG. 11

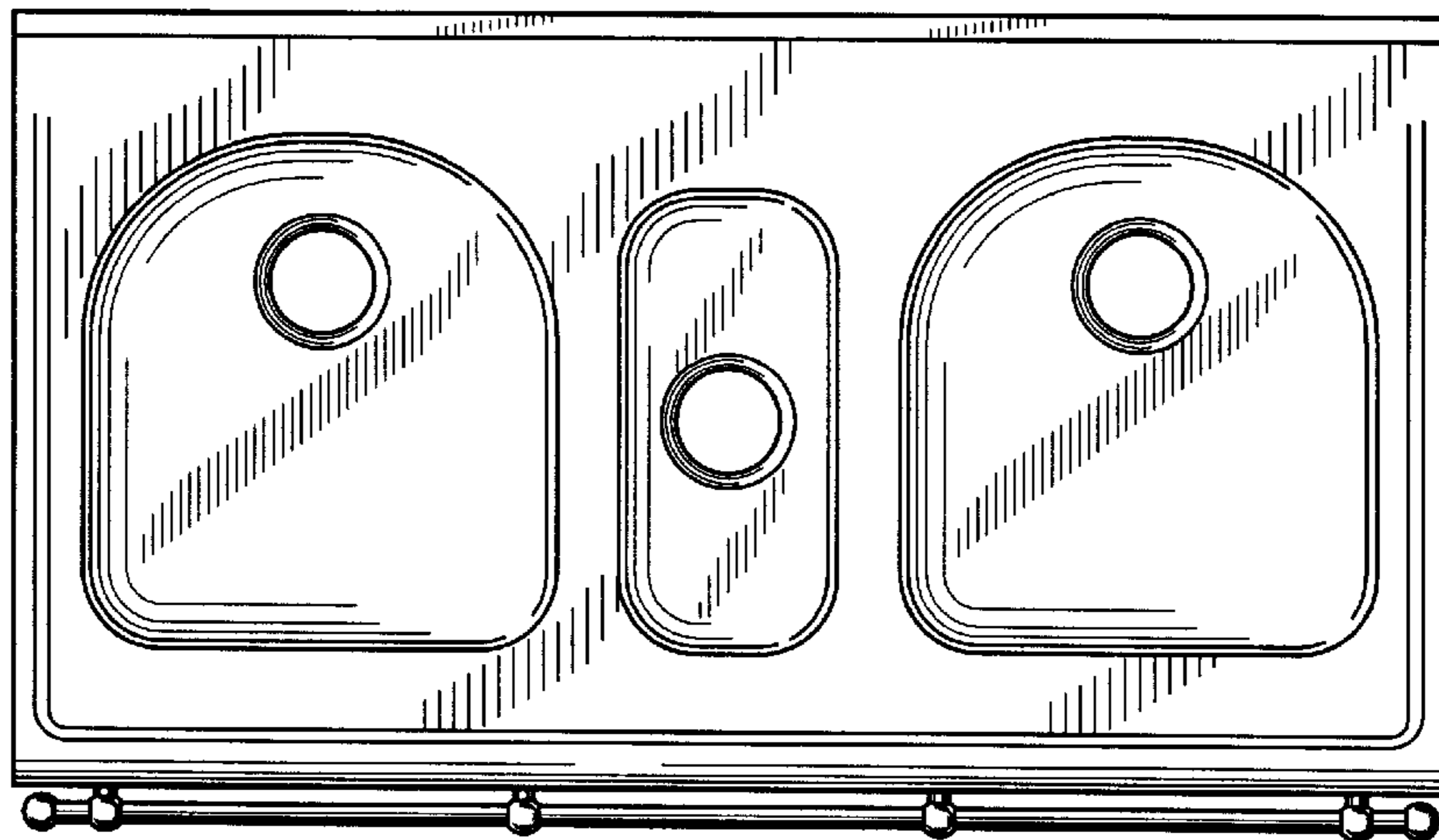


FIG. 12

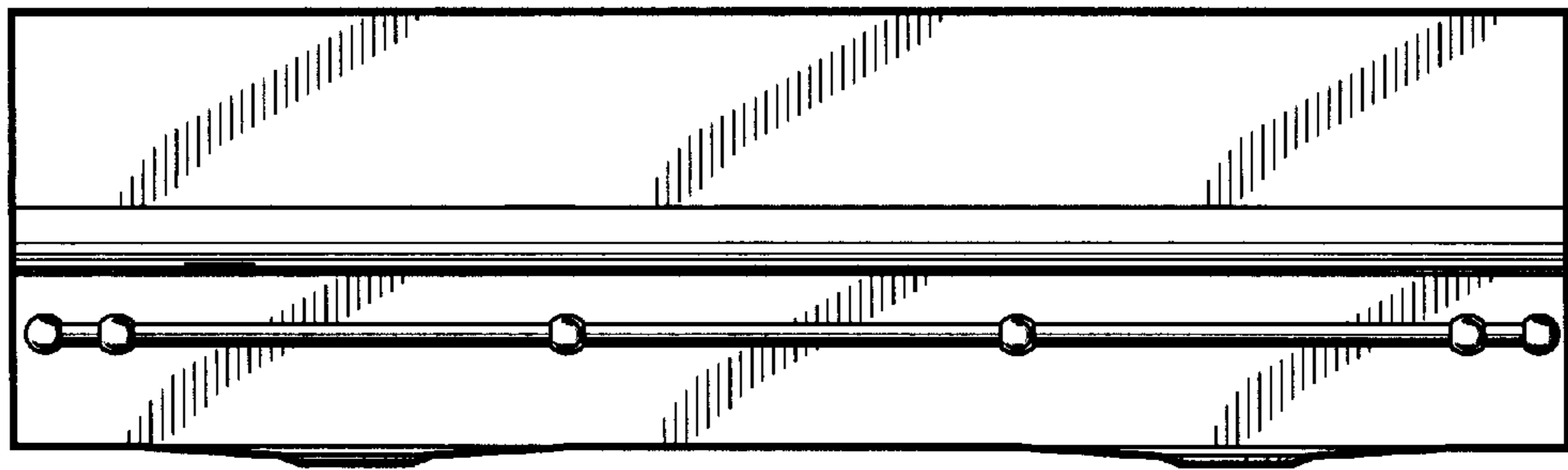


FIG. 13

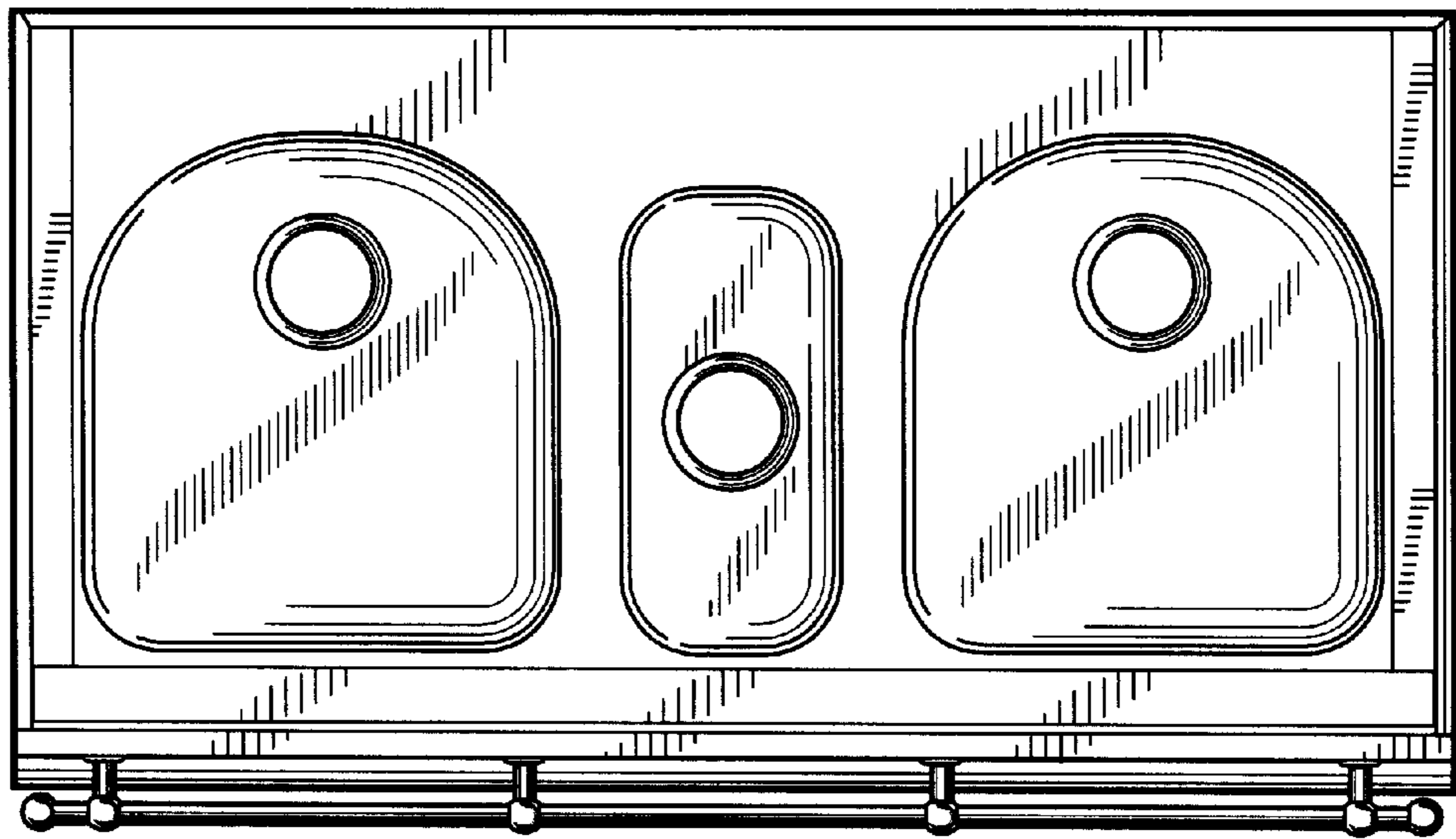


FIG. 14

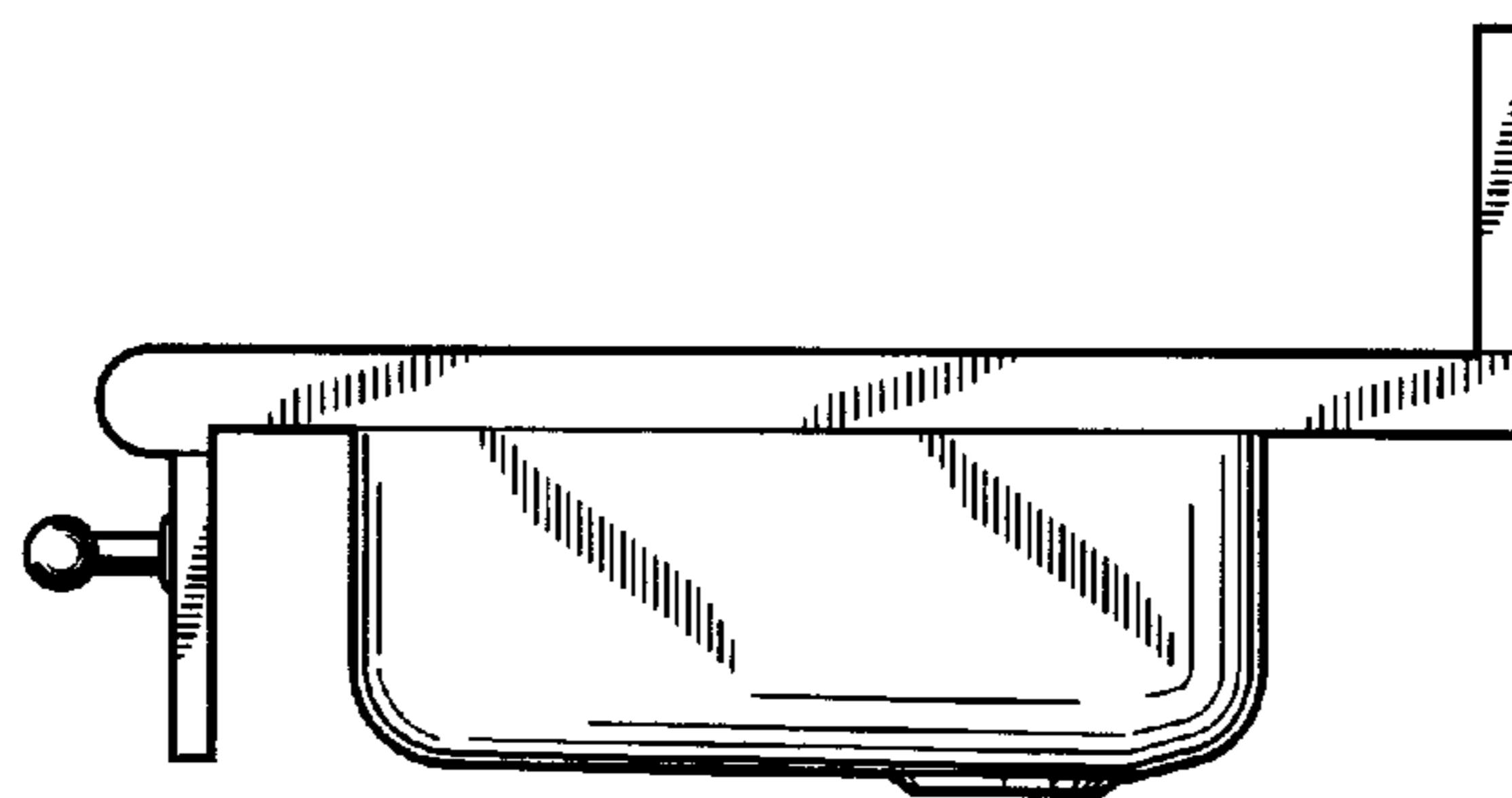


FIG. 15

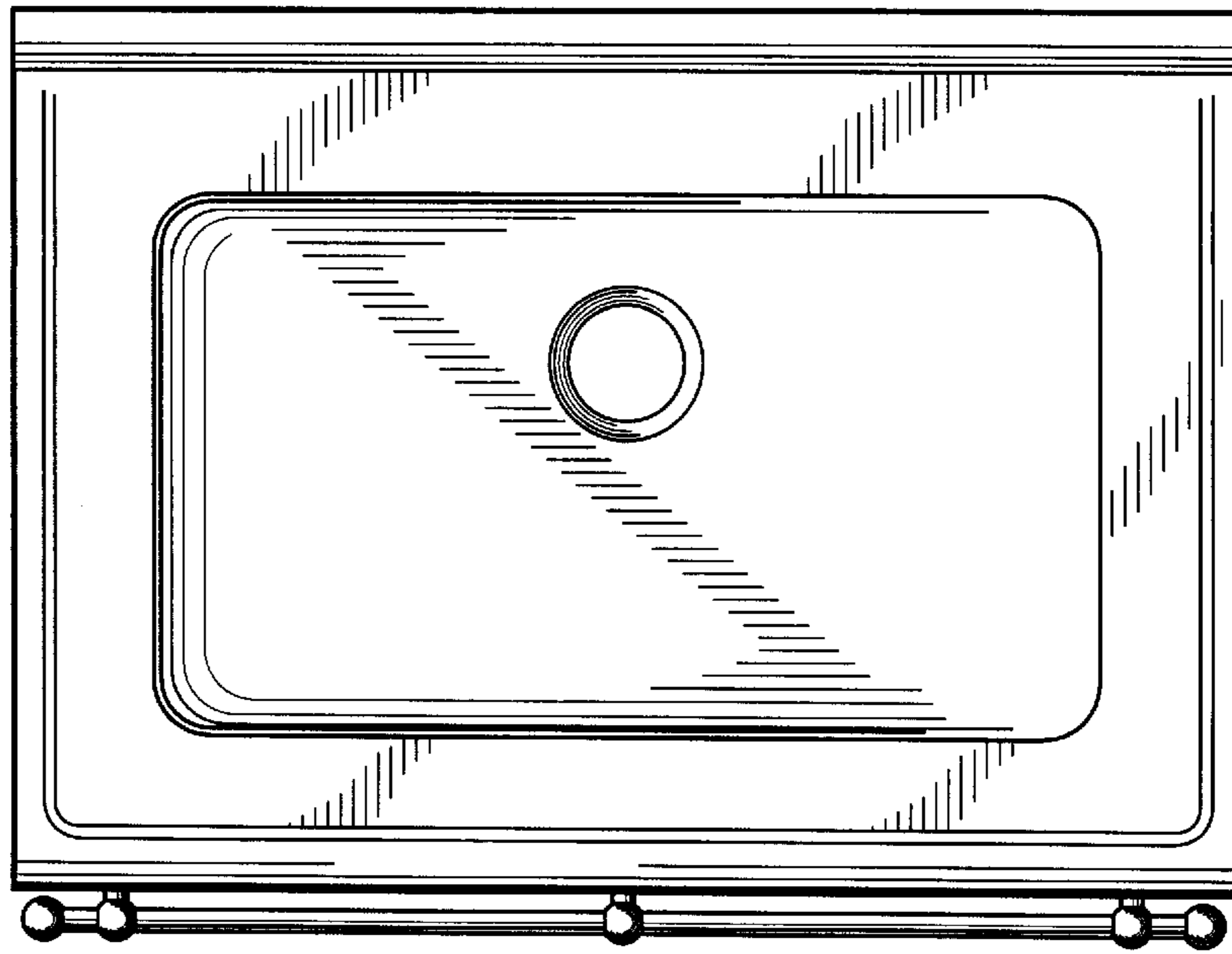


FIG. 16

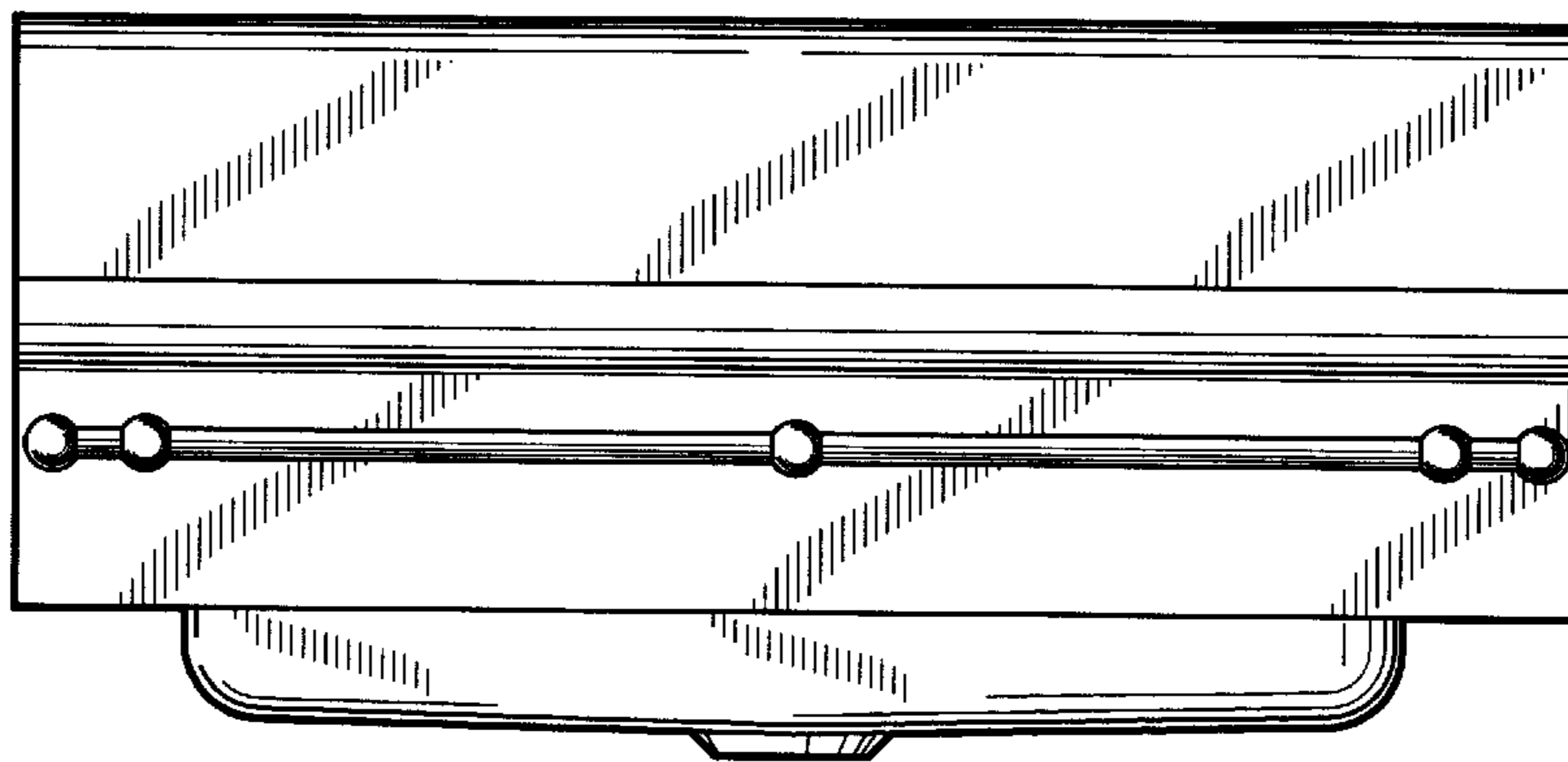


FIG. 17

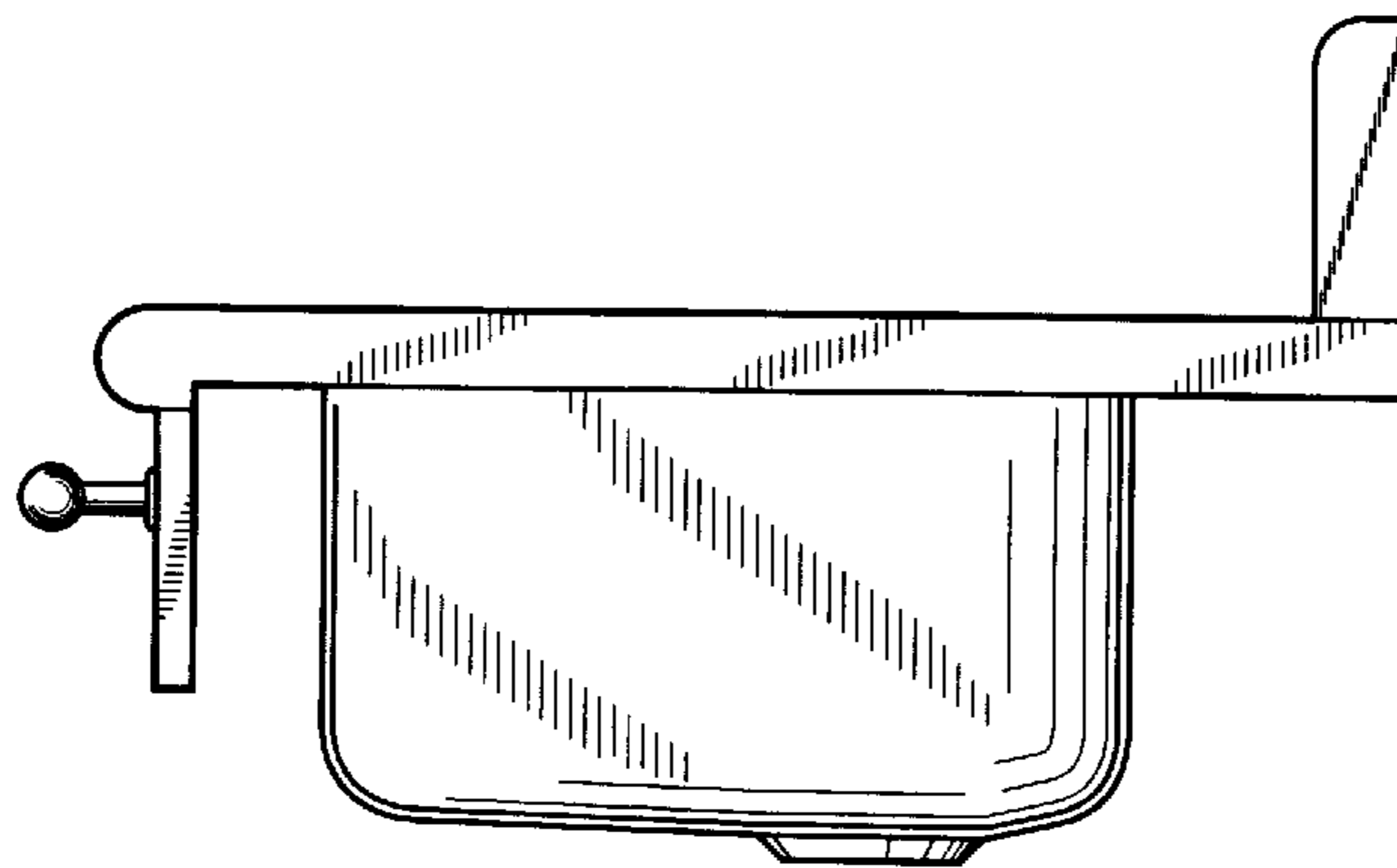


FIG. 18

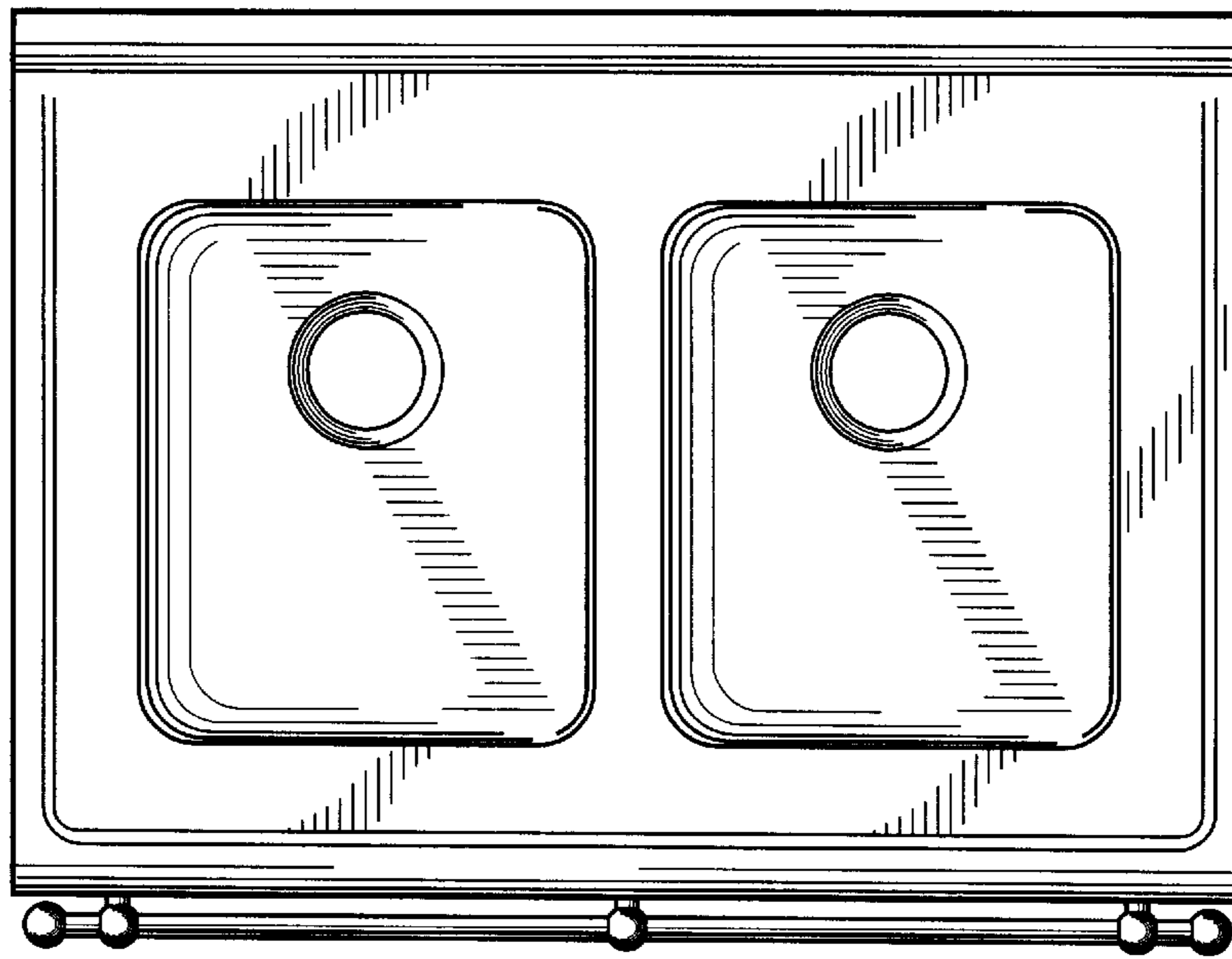


FIG.19

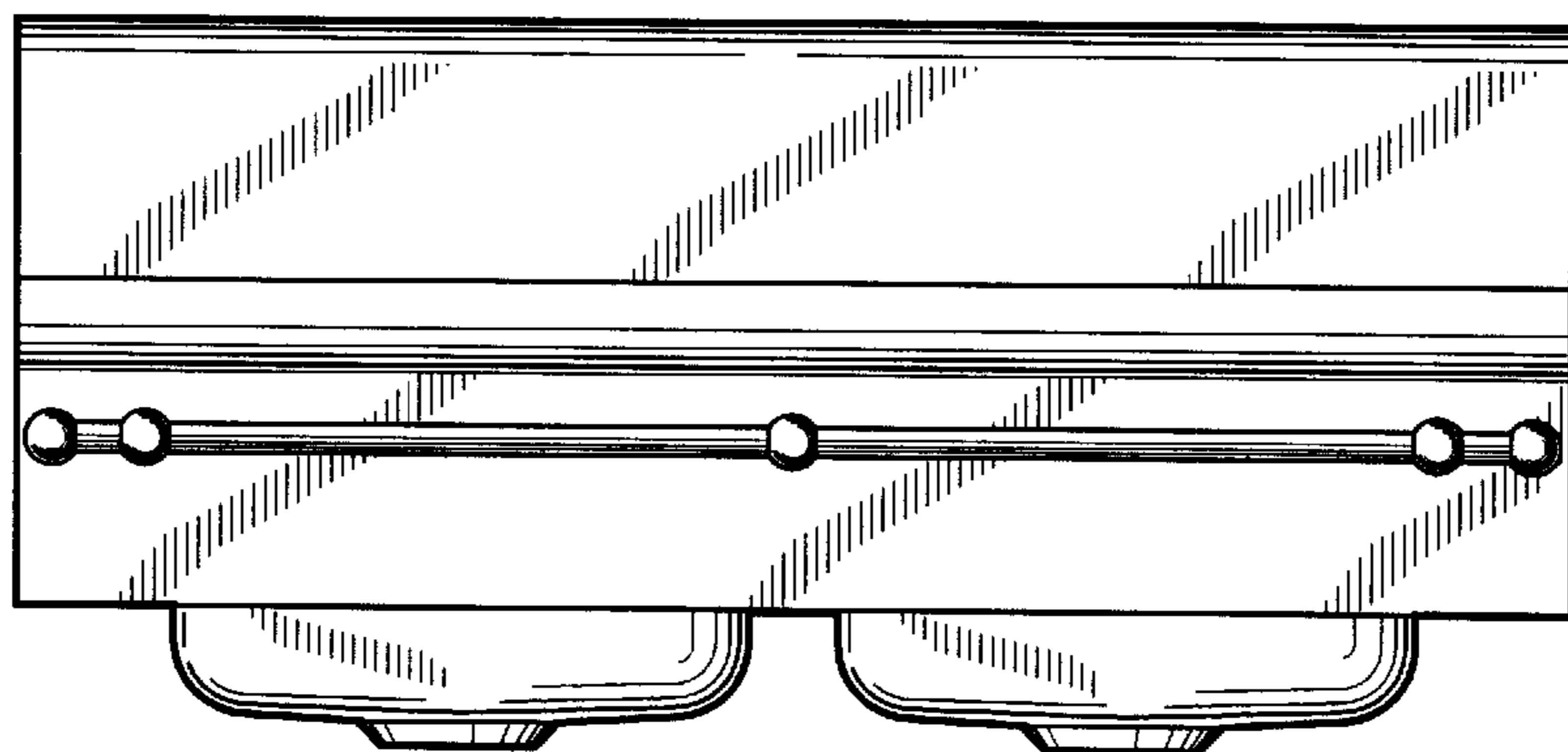


FIG.20

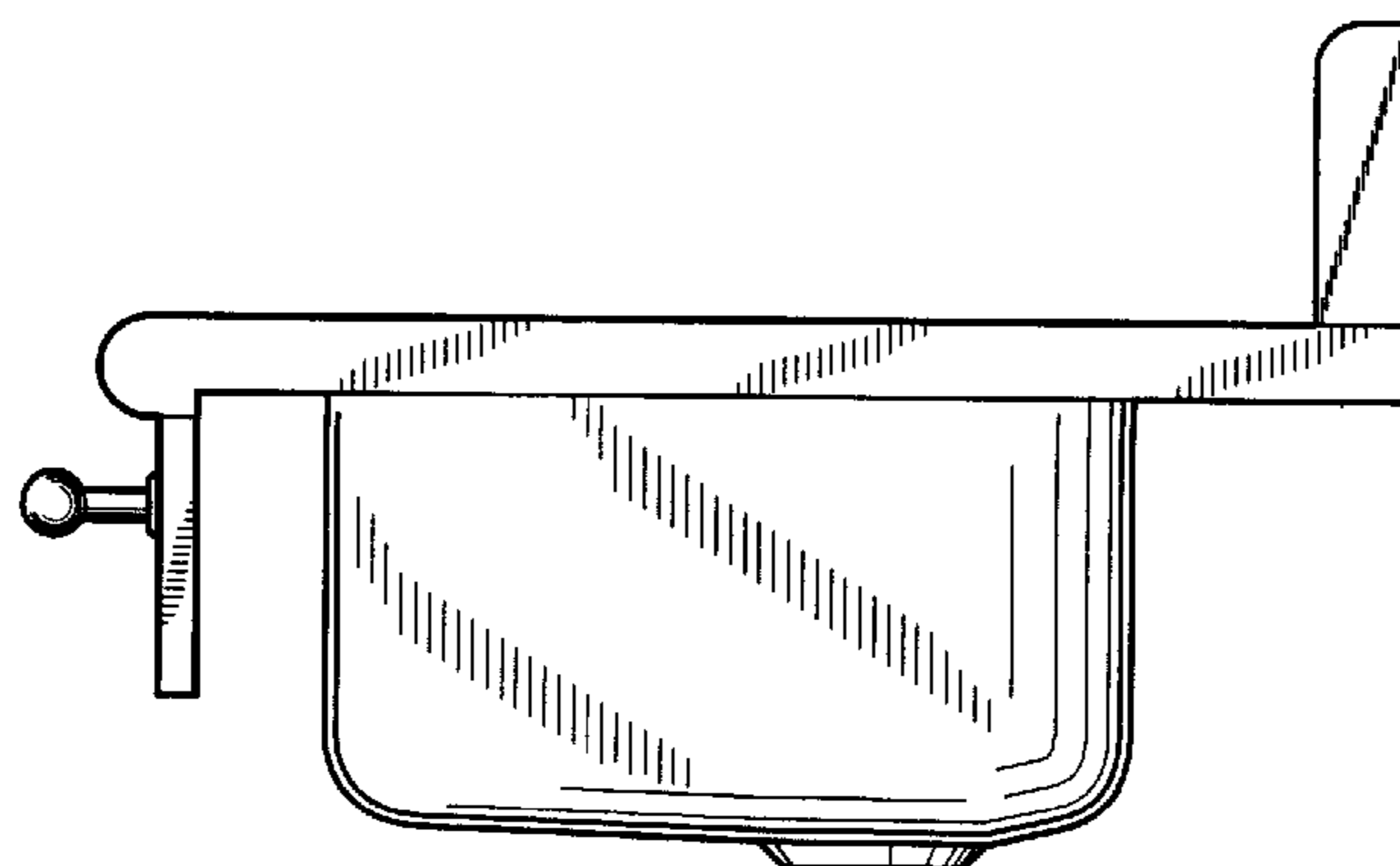


FIG.21

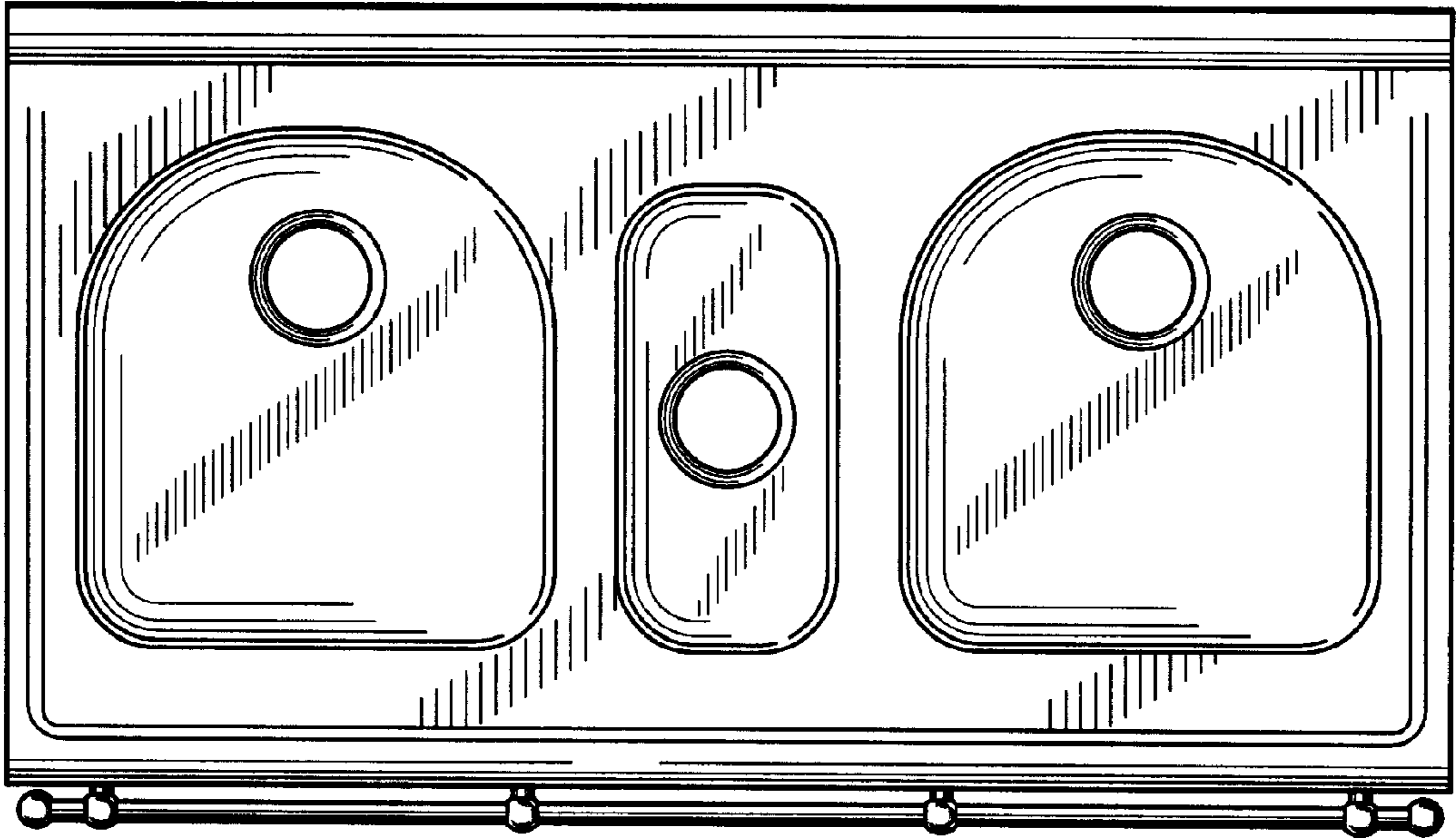


FIG. 22

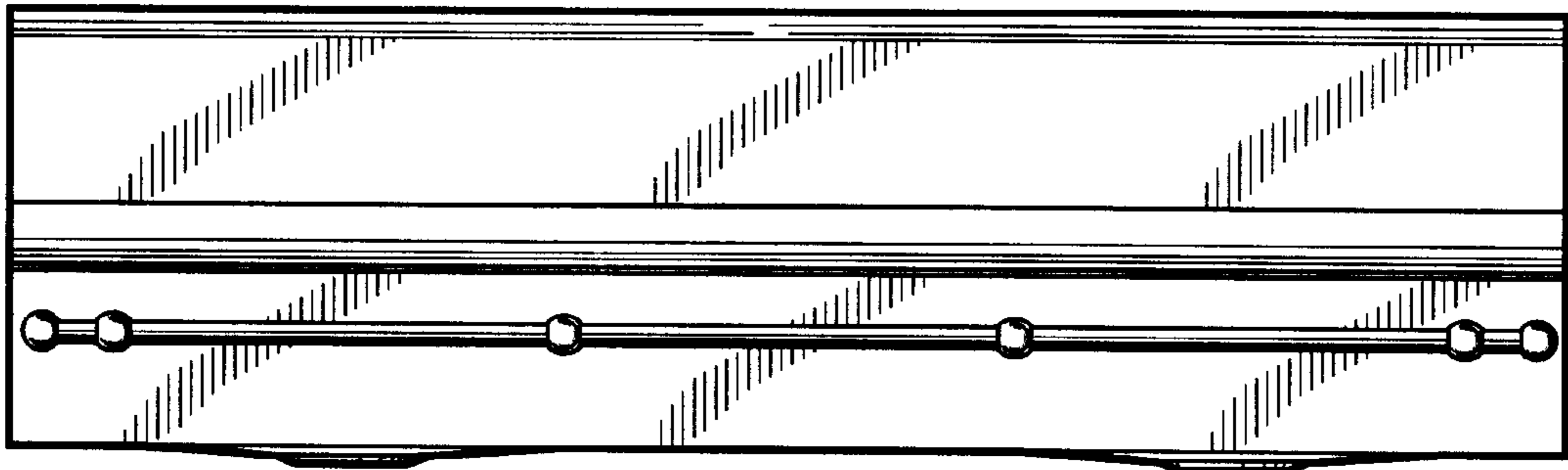


FIG. 23

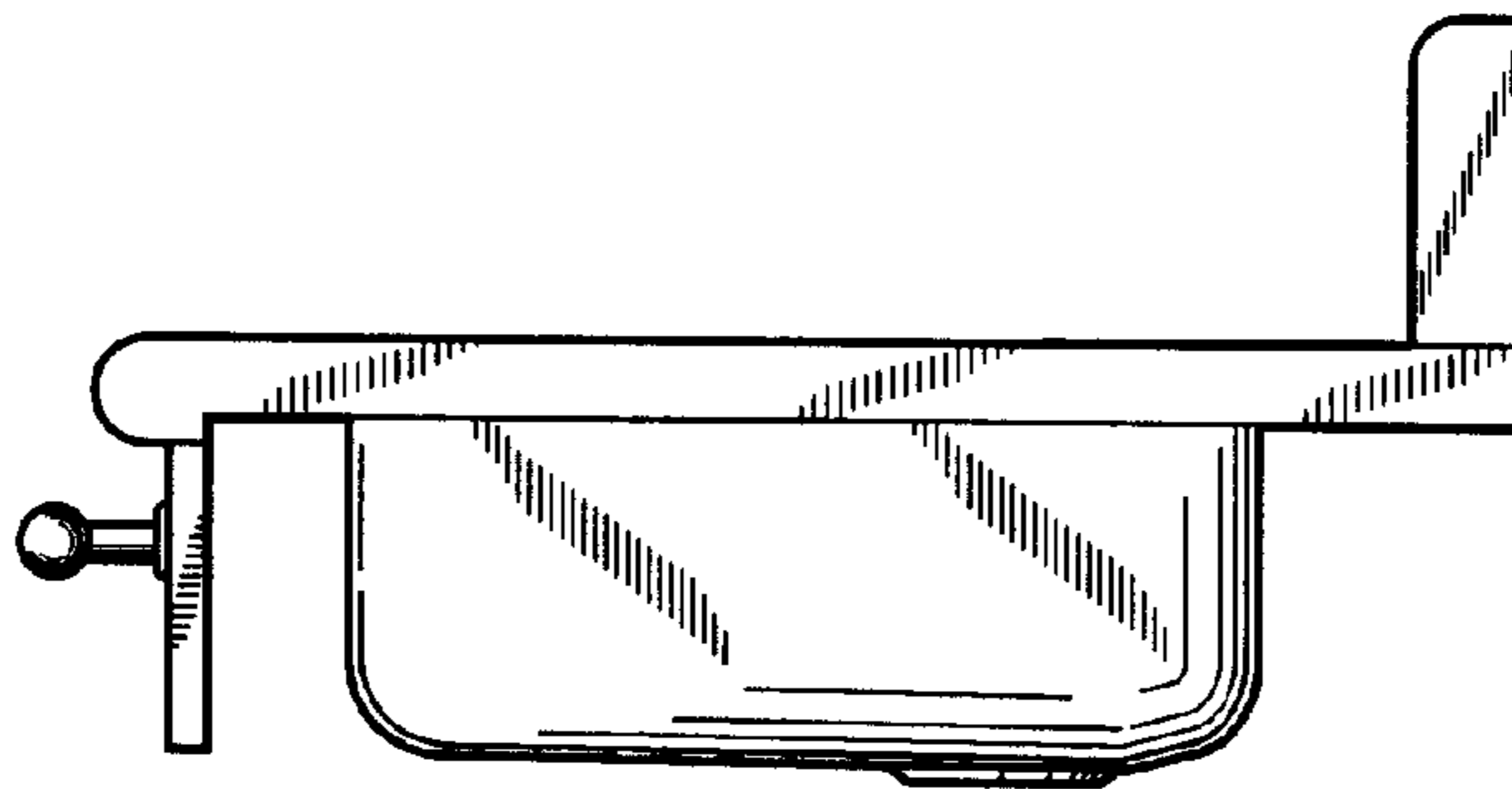


FIG. 24

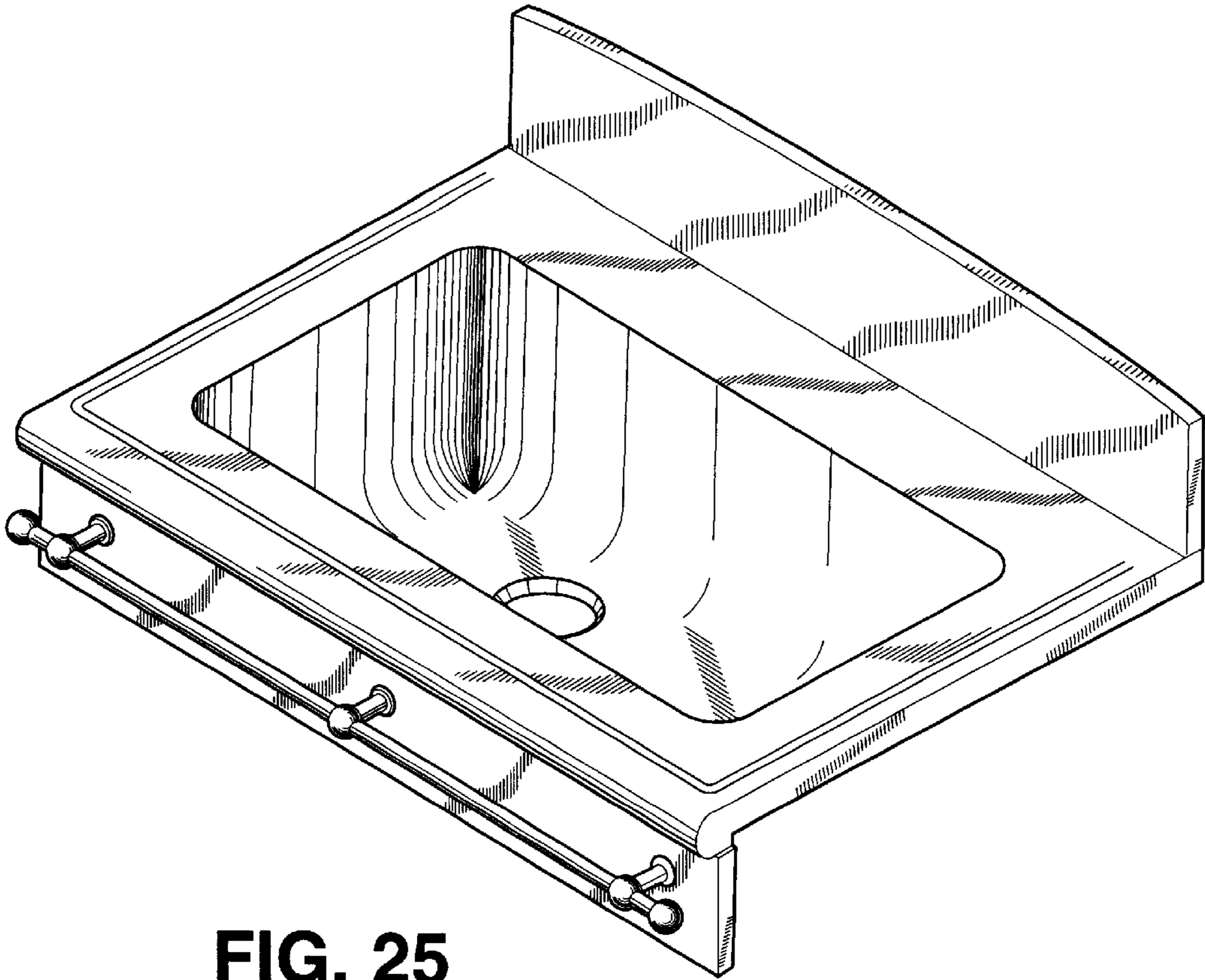


FIG. 25

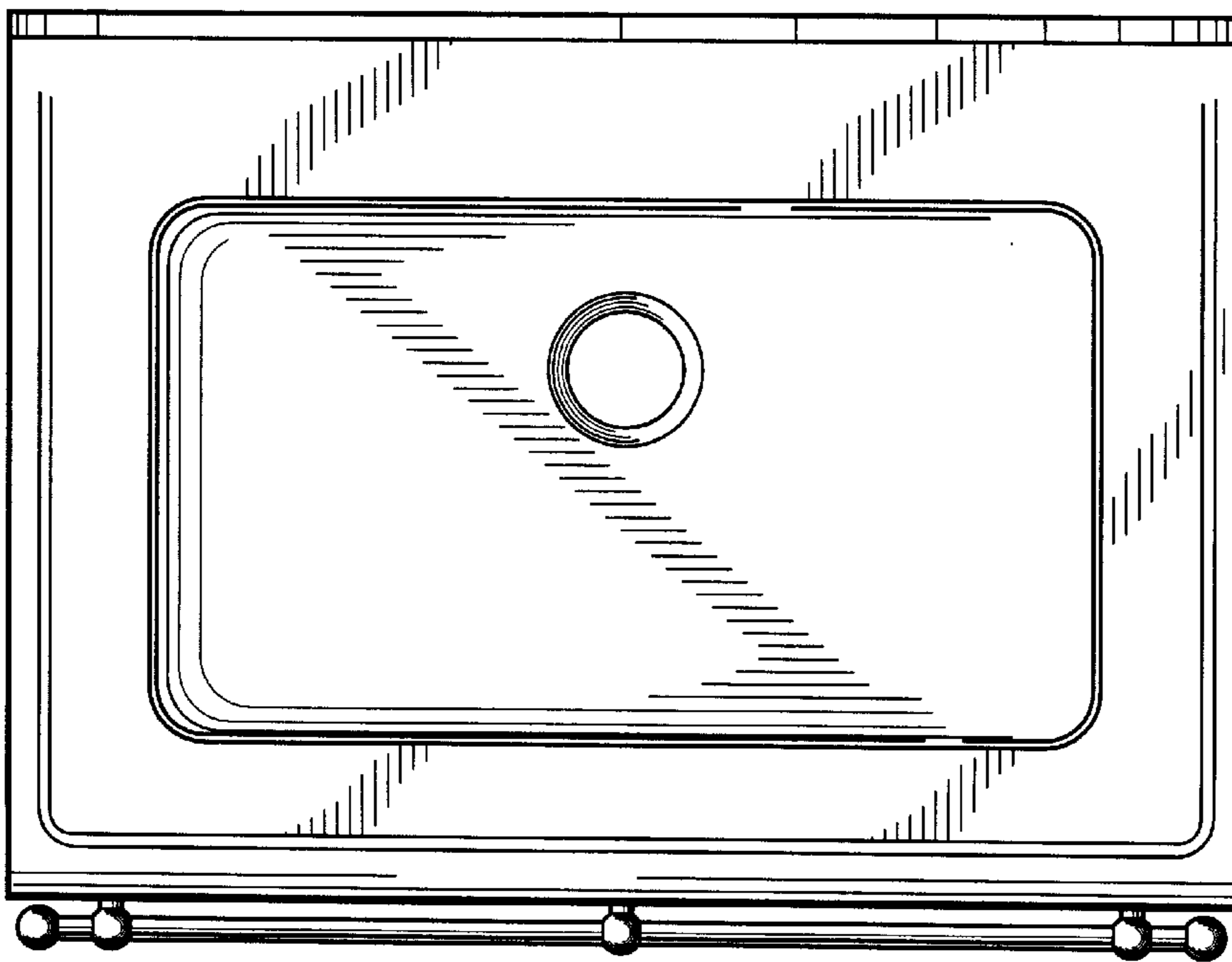


FIG. 26

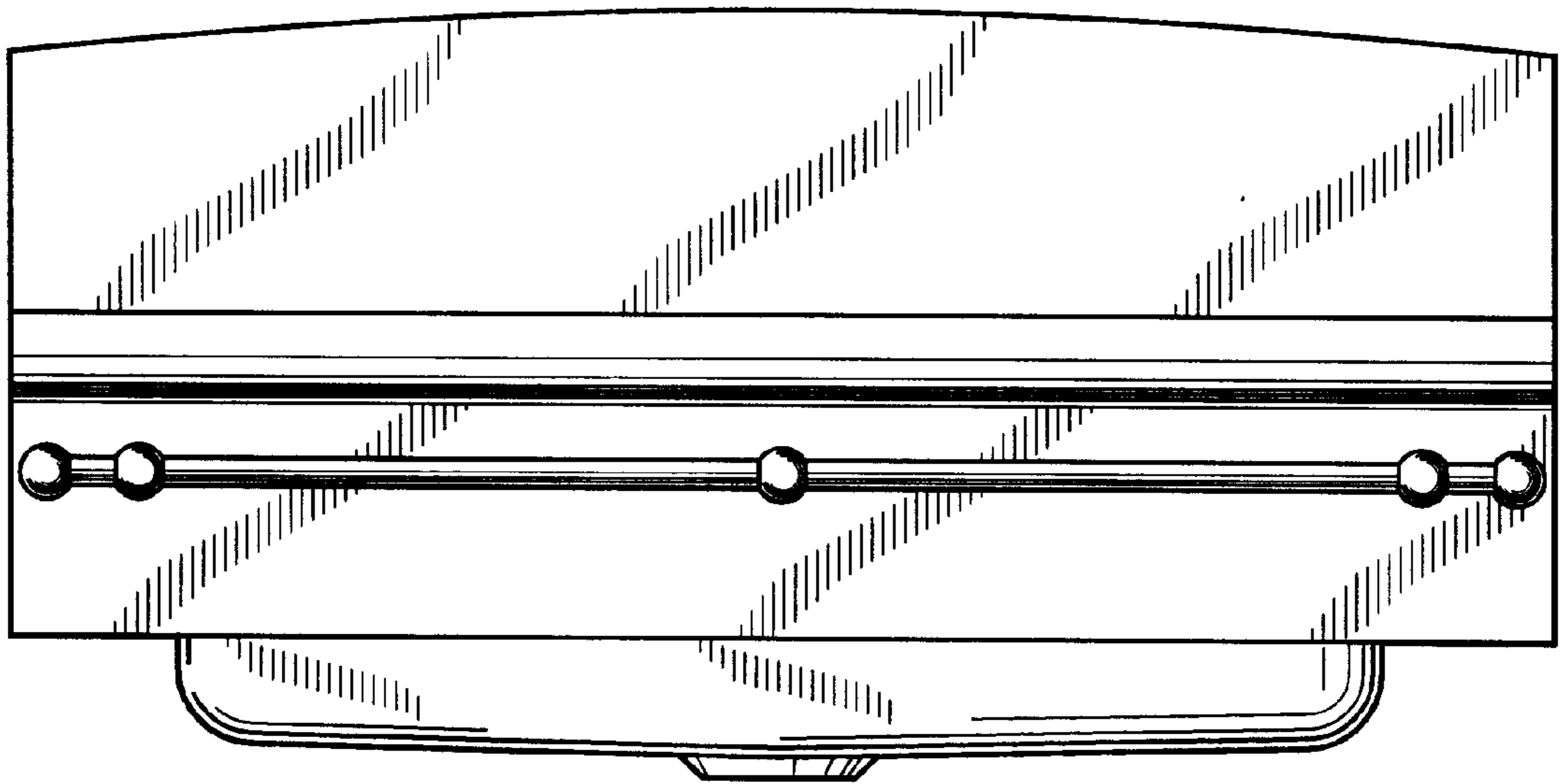


FIG. 27

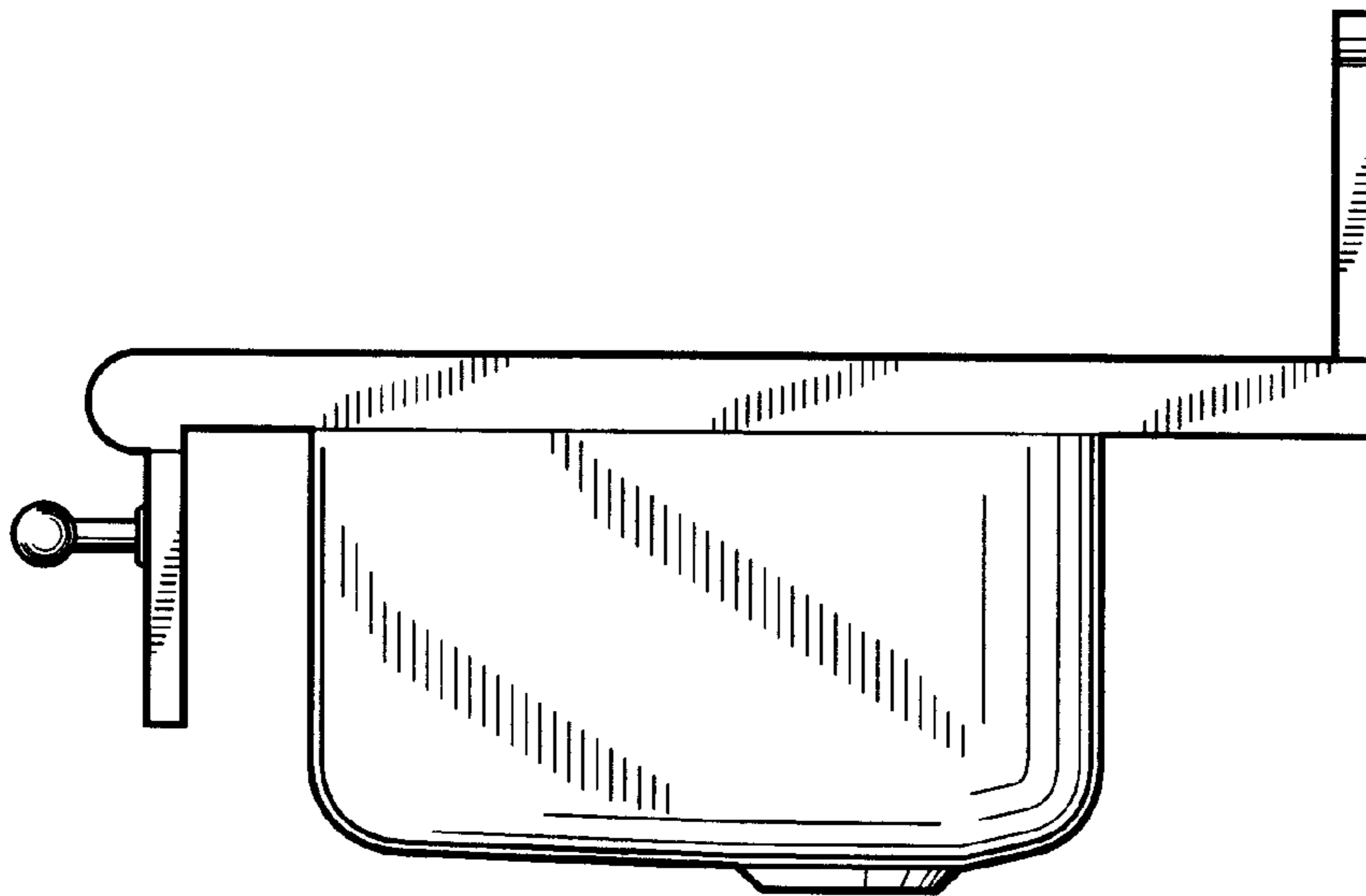


FIG. 28

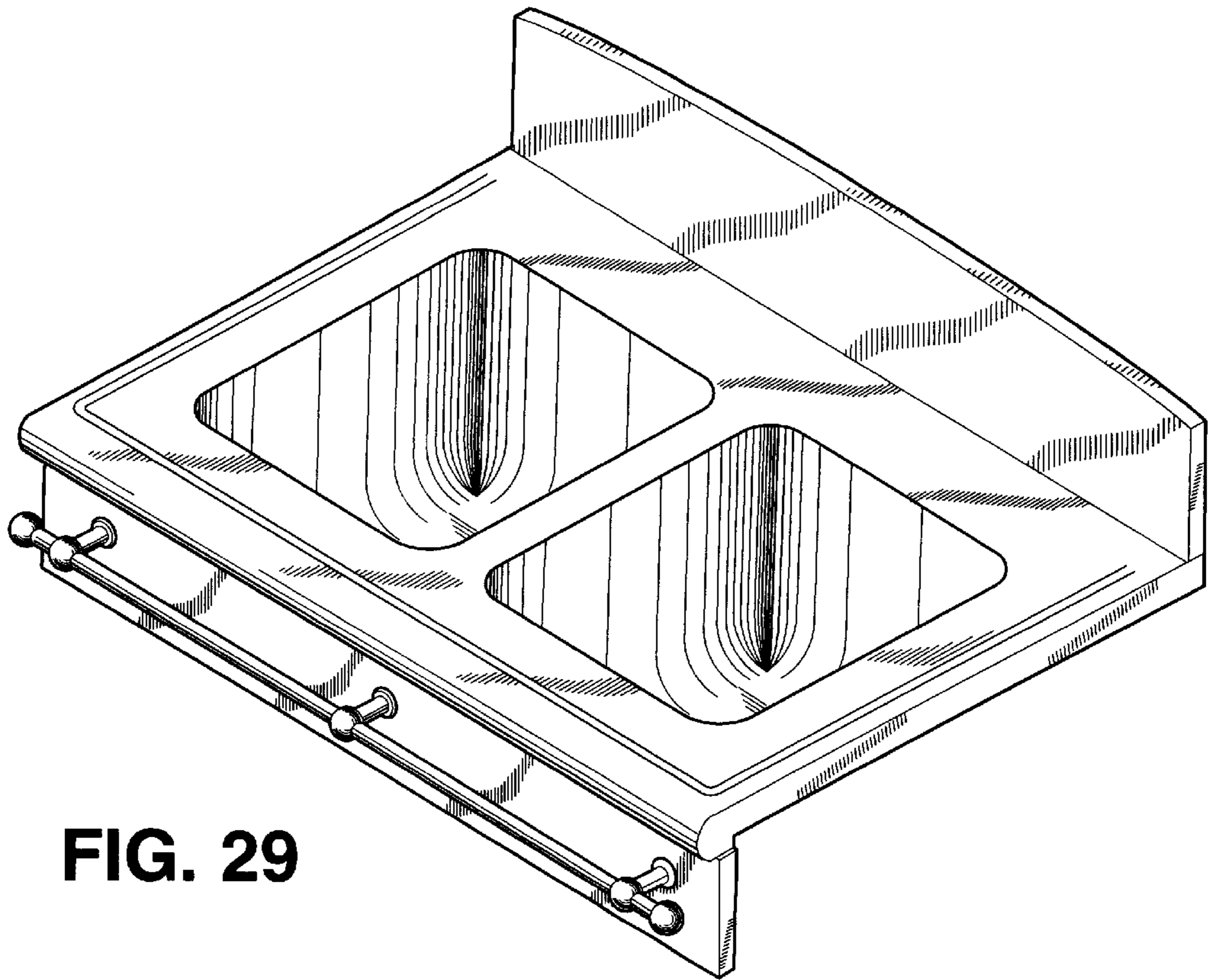


FIG. 29

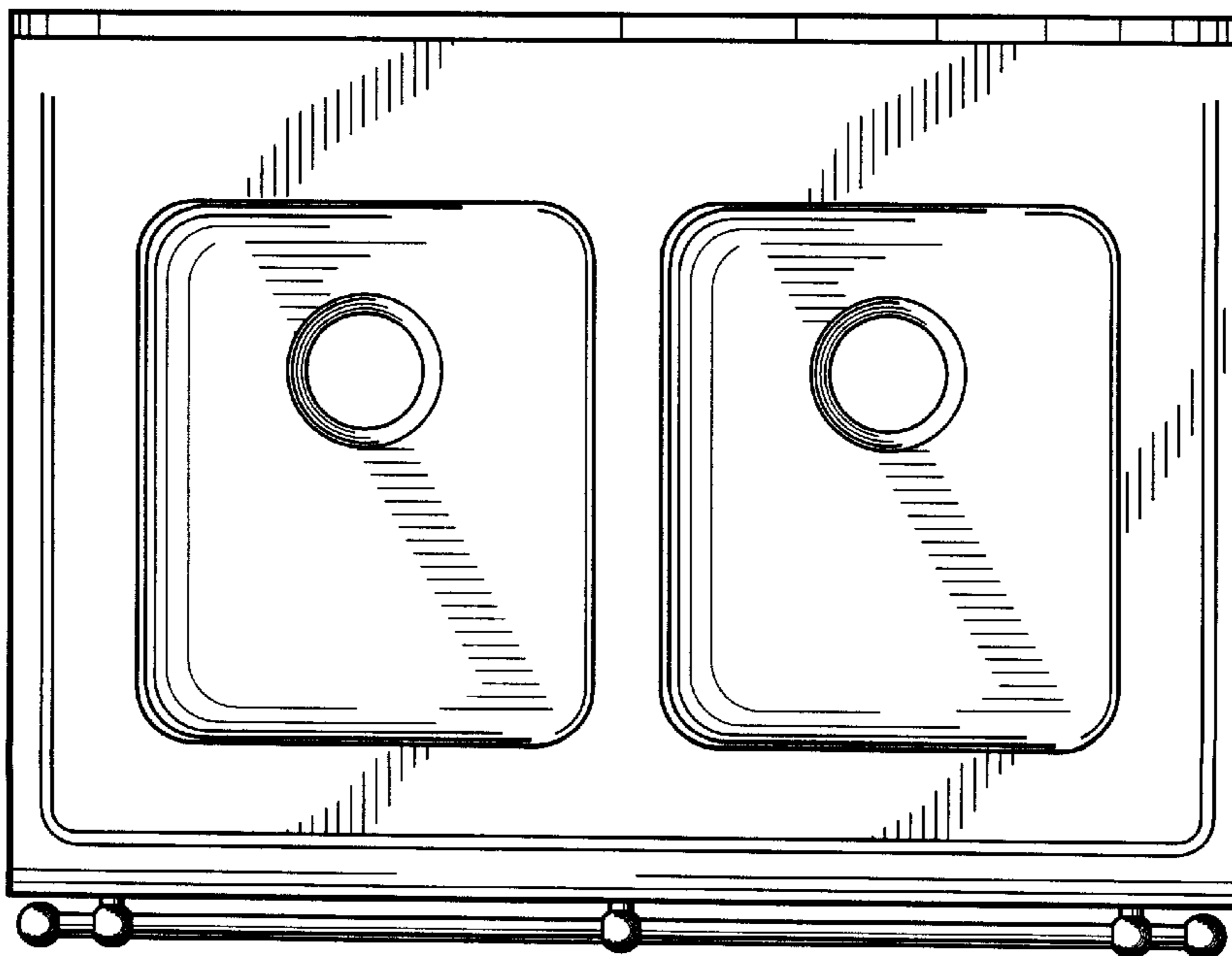


FIG. 30

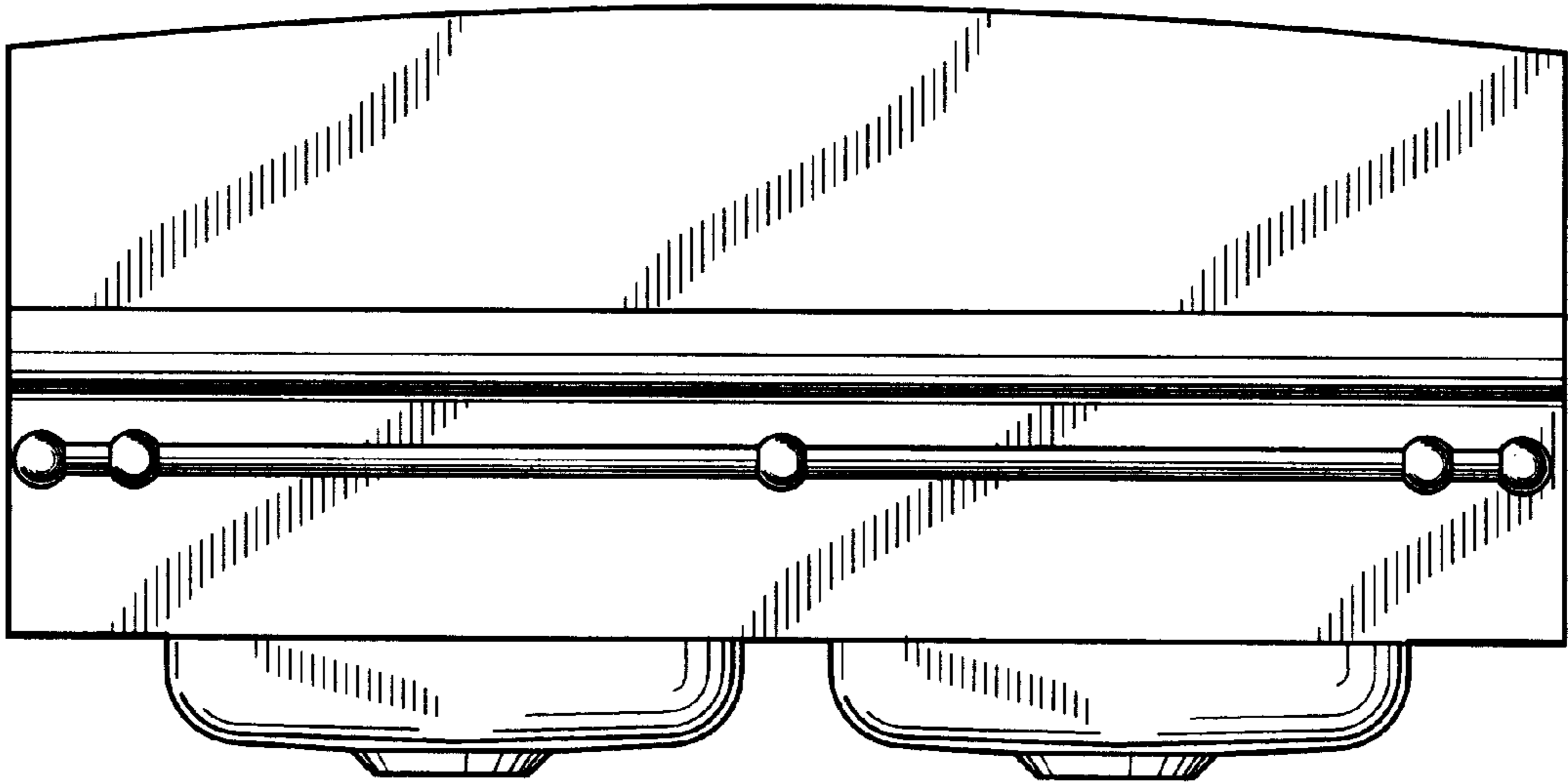


FIG. 31

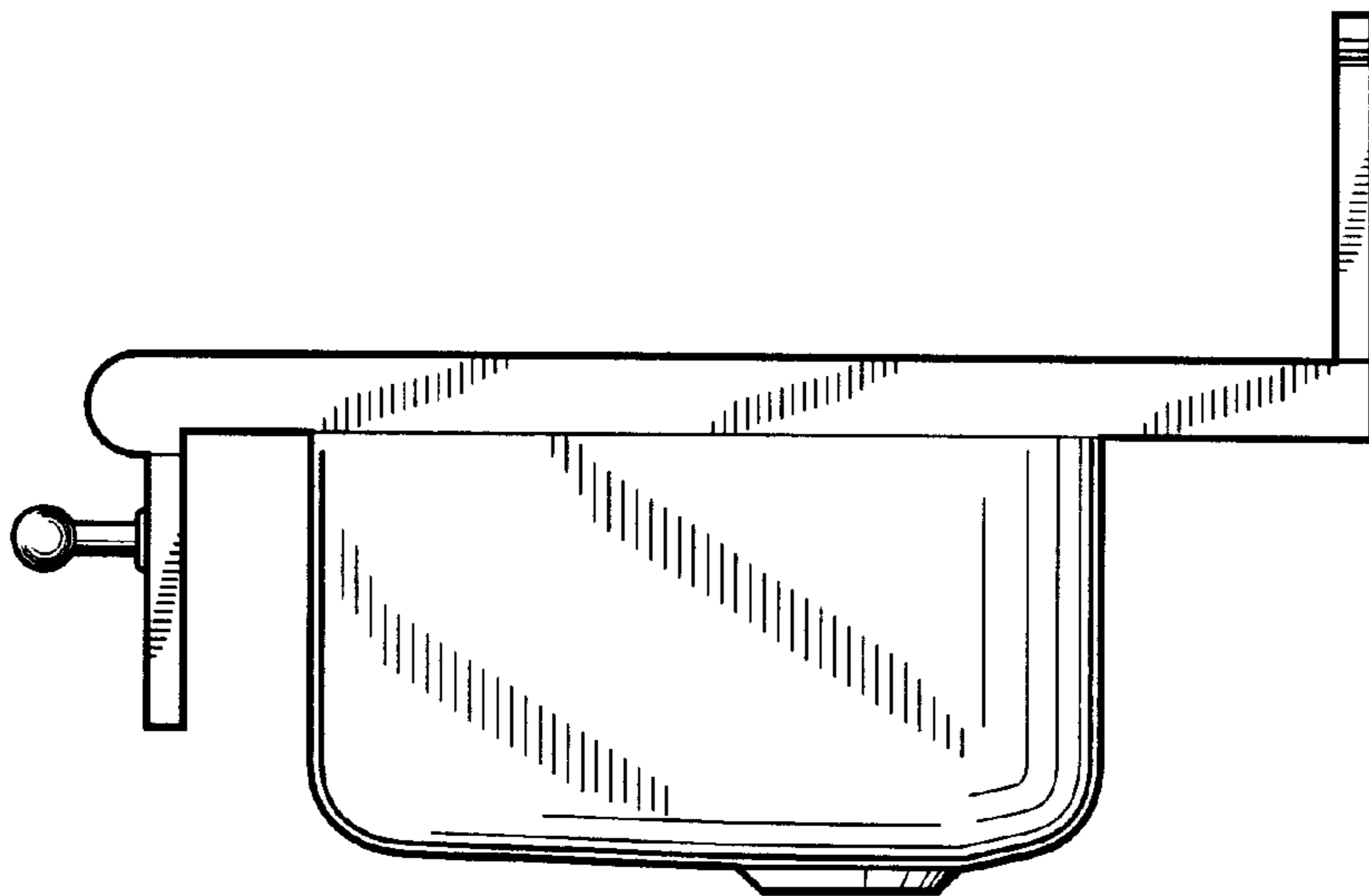


FIG. 32

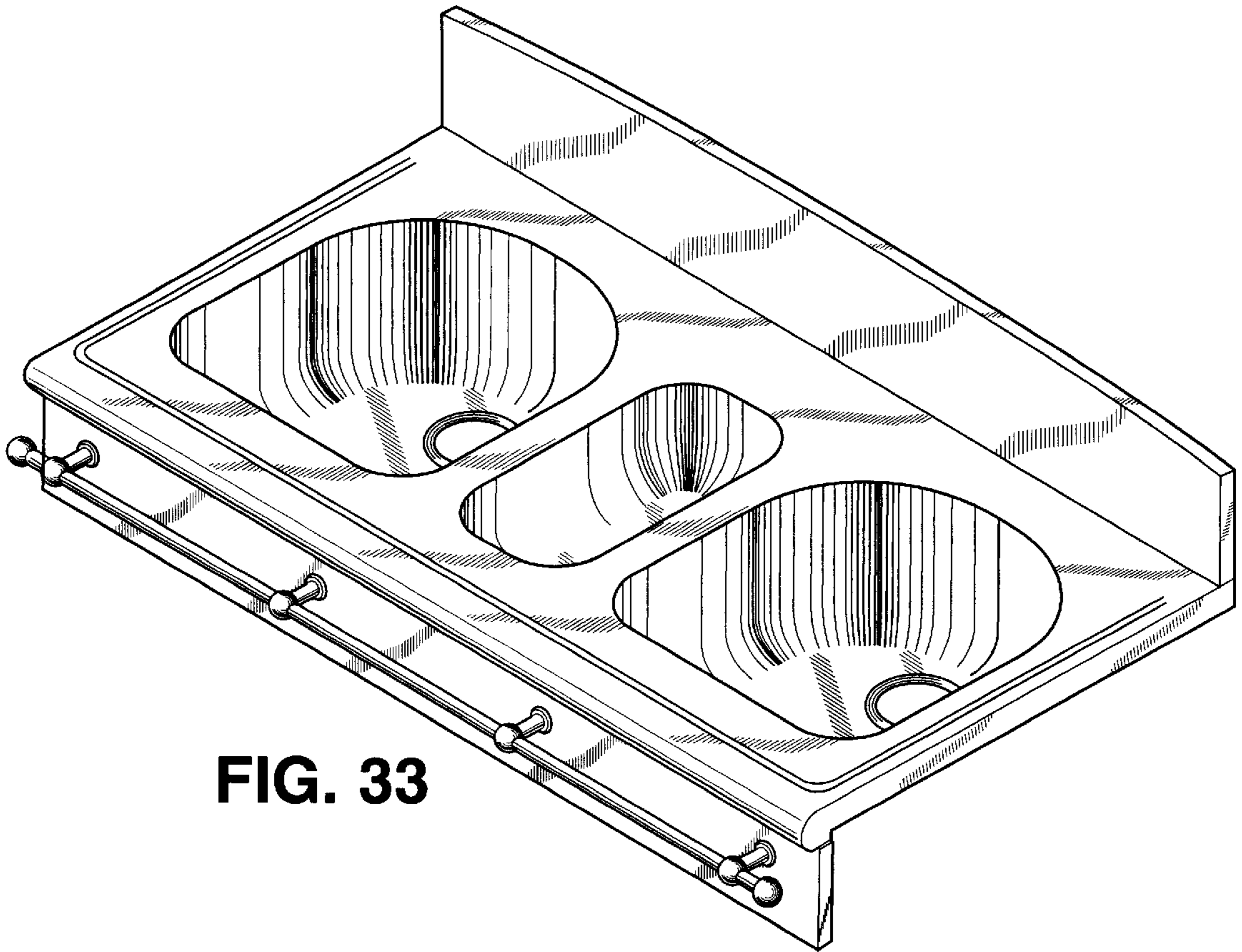


FIG. 33

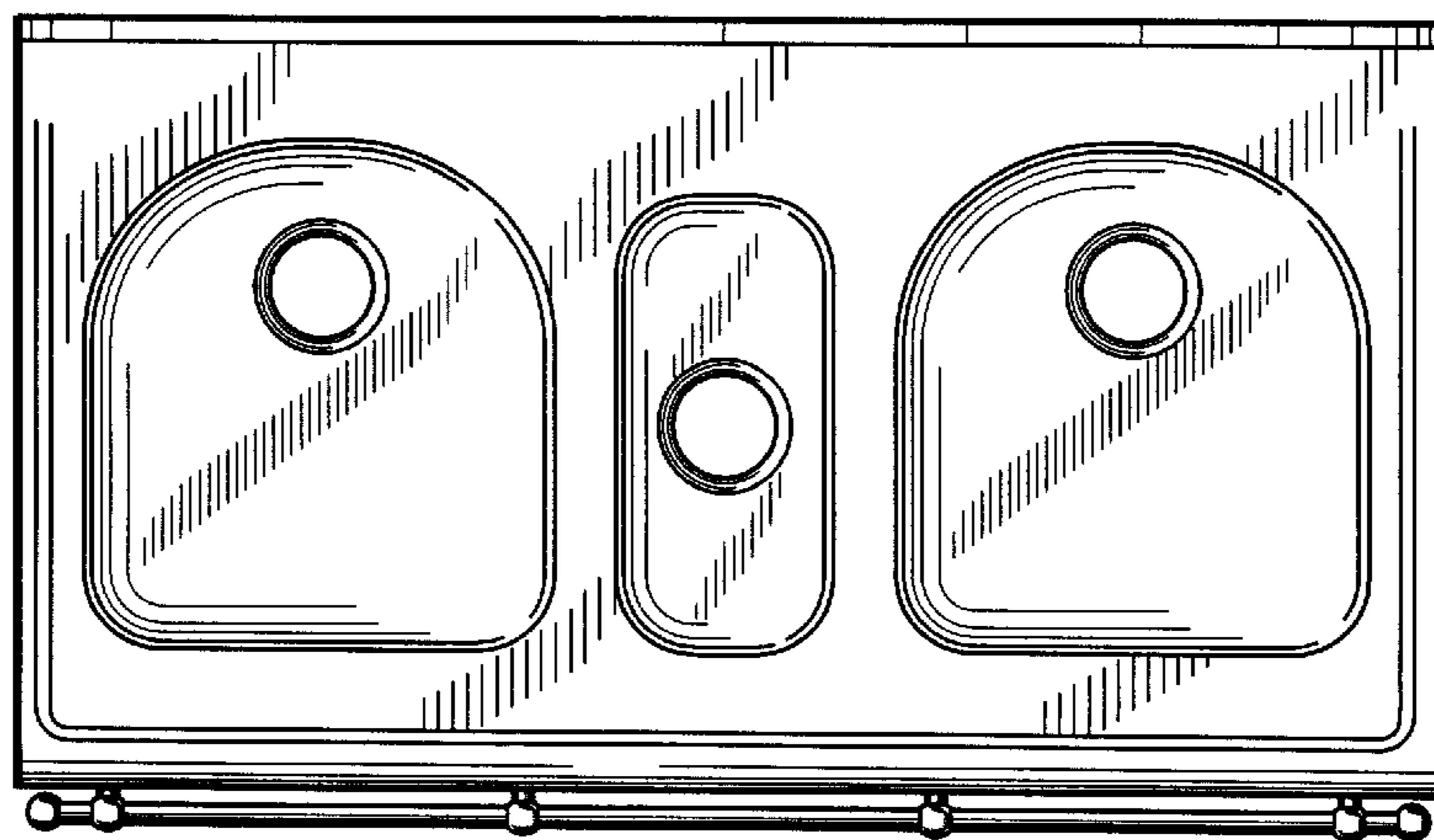


FIG. 34

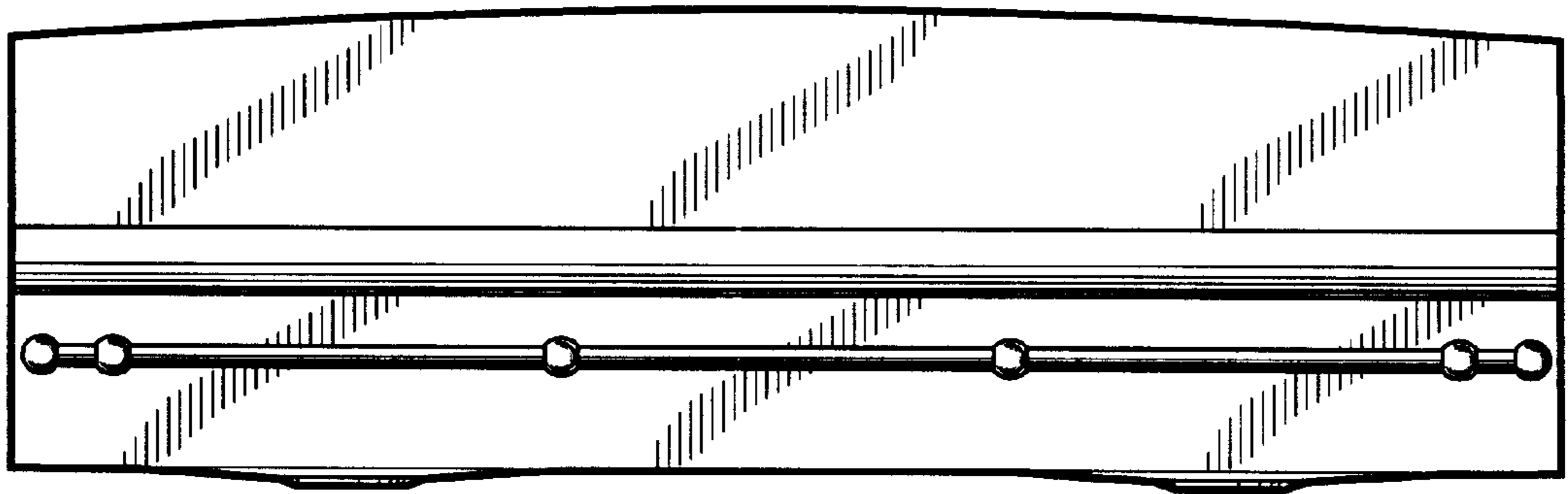


FIG. 35

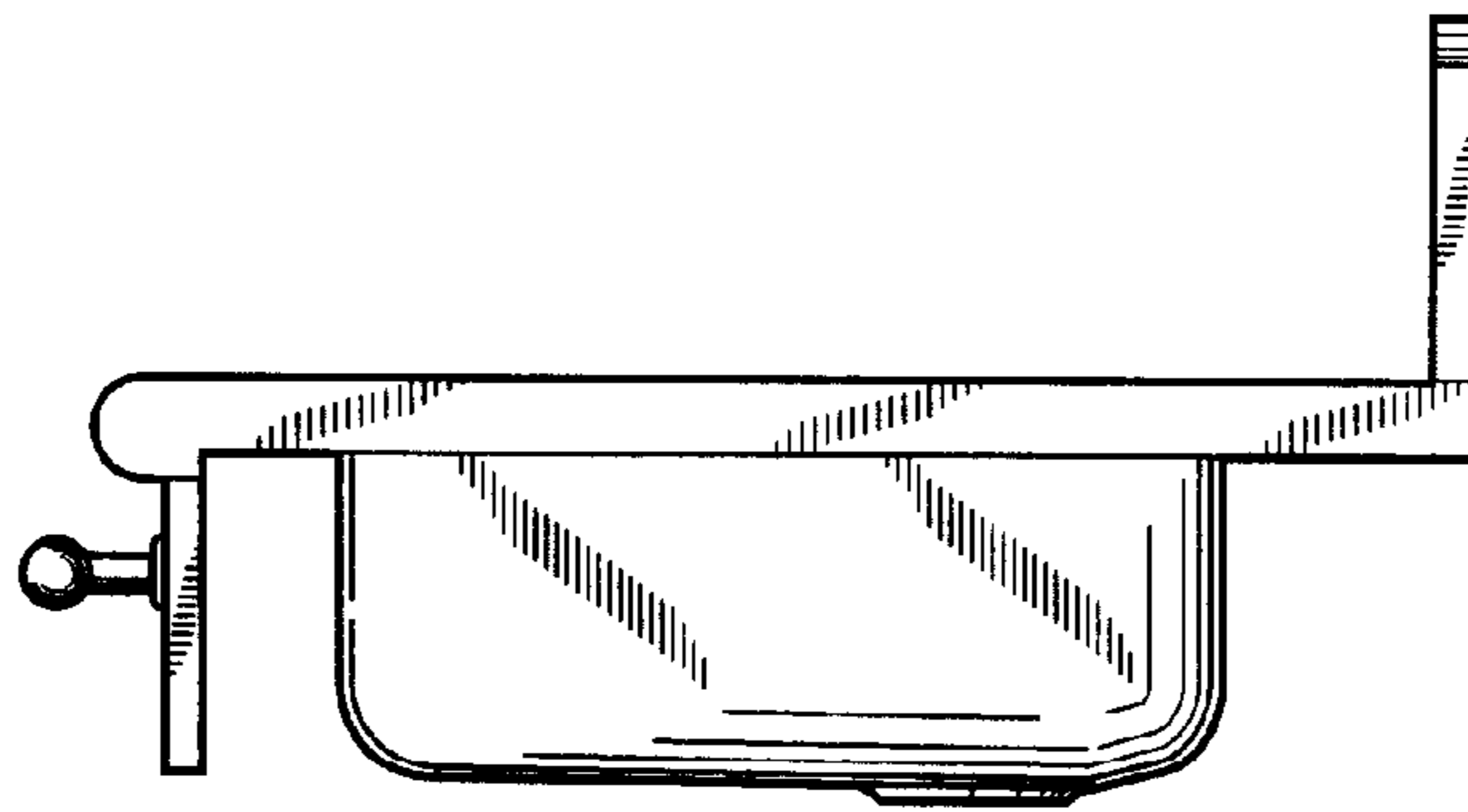


FIG. 36