



US00D444211S

(12) **United States Design Patent**  
**Müllenmeister**

(10) **Patent No.:** **US D444,211 S**

(45) **Date of Patent:** **\*\* Jun. 26, 2001**

(54) **SHOWER FAUCET**

(75) Inventor: **Daniel Müllenmeister**, Havixbeck (DE)

(73) Assignee: **Friedrich Grohe AG & Co. KG**,  
Hemer (DE)

(\*\*) Term: **14 Years**

(21) Appl. No.: **29/132,783**

(22) Filed: **Nov. 15, 2000**

(30) **Foreign Application Priority Data**

Jun. 22, 2000 (DE) ..... 400 05 887

(51) **LOC (7) Cl.** ..... **23-01**

(52) **U.S. Cl.** ..... **D23/238**

(58) **Field of Search** ..... D23/238-243,  
D23/245, 249-257; D8/300-310, 350-354;  
4/675-678; 16/110 R-121; 137/801

(56) **References Cited**

**U.S. PATENT DOCUMENTS**

D. 408,502 \* 4/1999 Lobermeier ..... D23/238

D. 409,284 \* 5/1999 Gottwald ..... D23/238  
D. 409,727 \* 5/1999 Lobermeier ..... D23/238  
D. 434,470 \* 11/2000 Fleischmann ..... D23/200

\* cited by examiner

*Primary Examiner*—Louis S. Zarfaz

*Assistant Examiner*—Gregory Andoll

(74) *Attorney, Agent, or Firm*—Herbert Dubno

(57) **CLAIM**

The ornamental design for a shower faucet, as shown and described.

**DESCRIPTION**

FIG. 1 is a top, front, left-side perspective view of a shower faucet showing my new design;

FIG. 2 is a left side elevational view thereof, the right side elevational view being mirror symmetrical thereto;

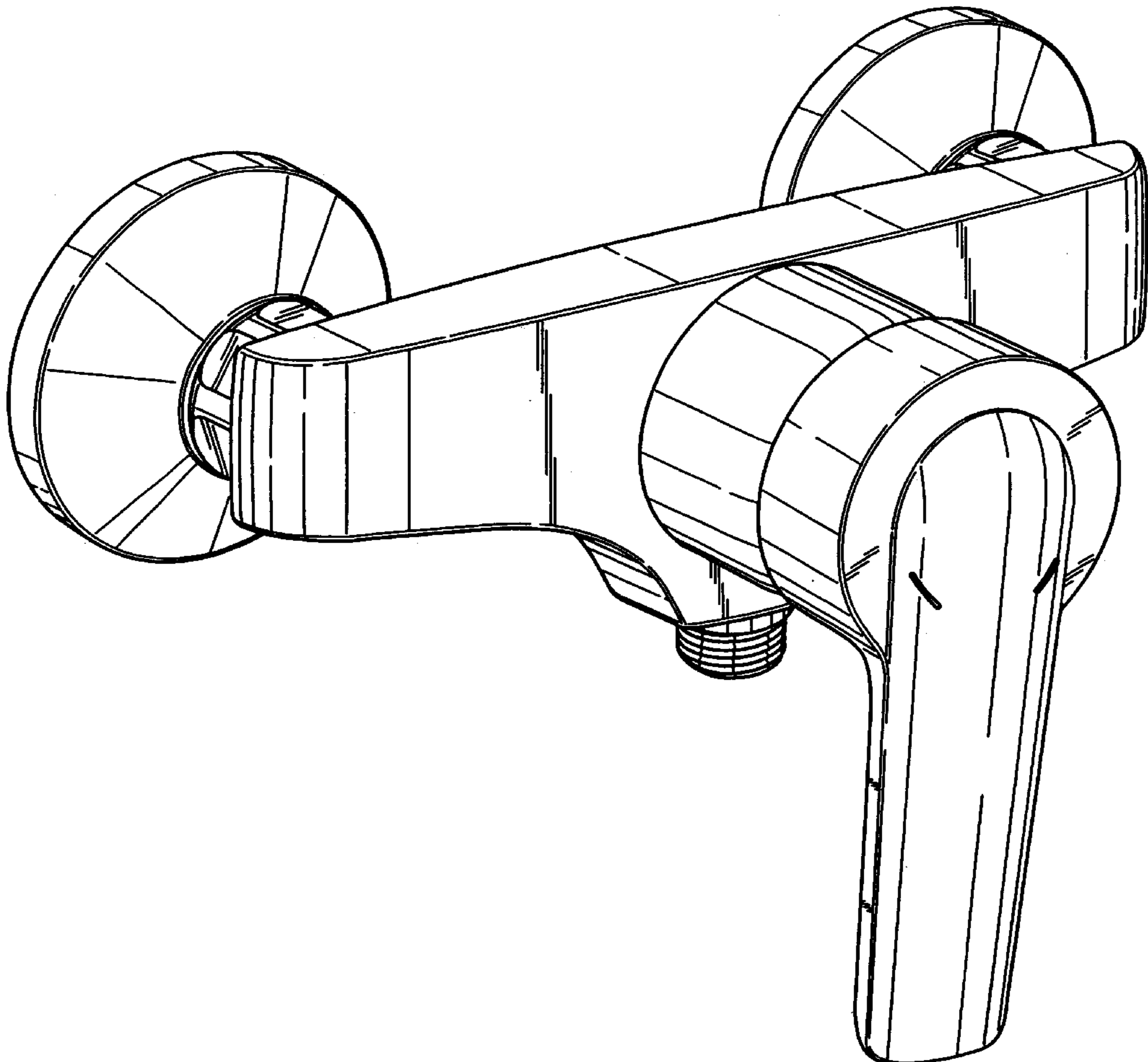
FIG. 3 is a front elevational view thereof;

FIG. 4 is a rear elevational view thereof;

FIG. 5 is a bottom plan view thereof; and,

FIG. 6 is a top plan view thereof.

**1 Claim, 6 Drawing Sheets**



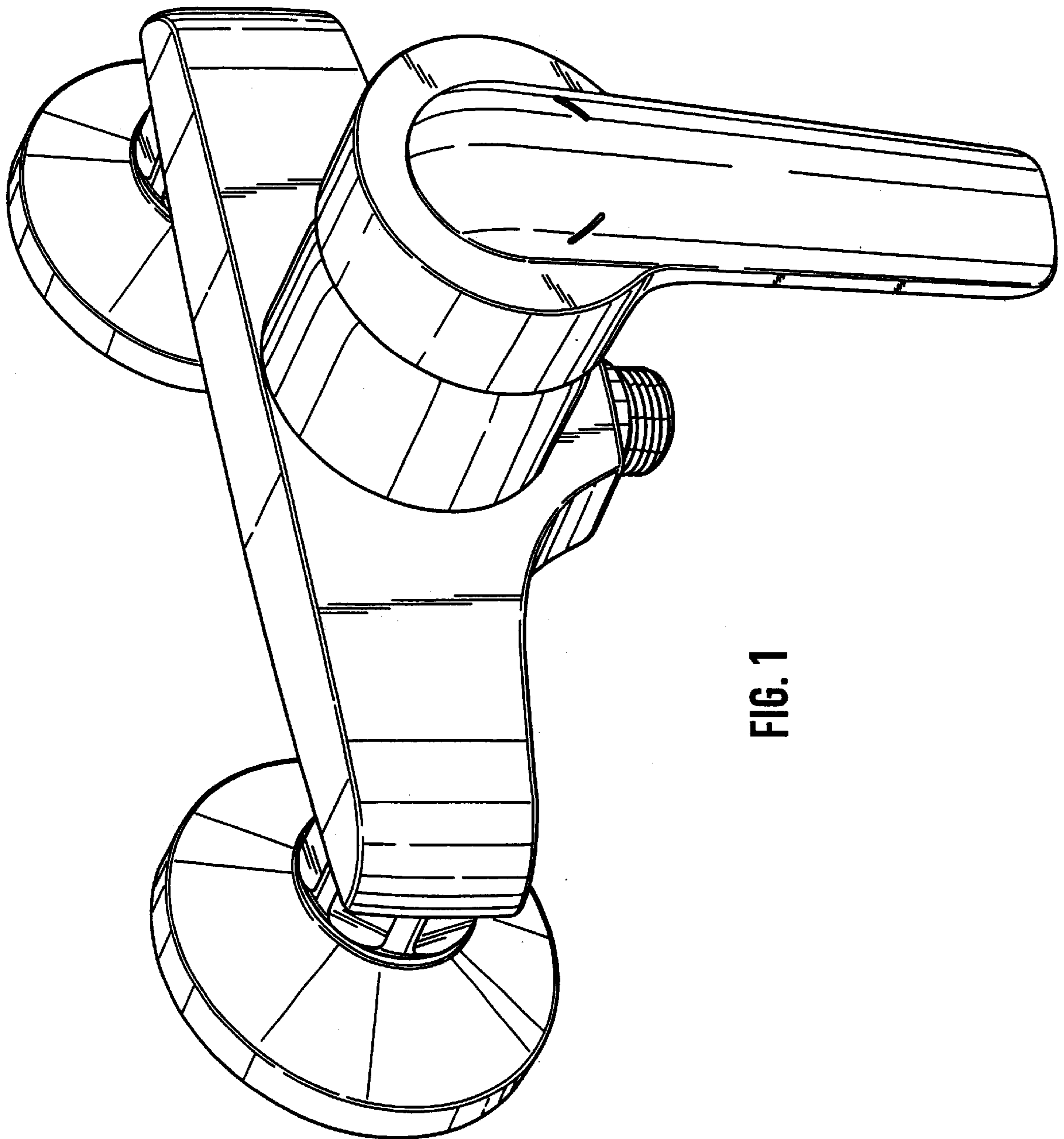


FIG. 1

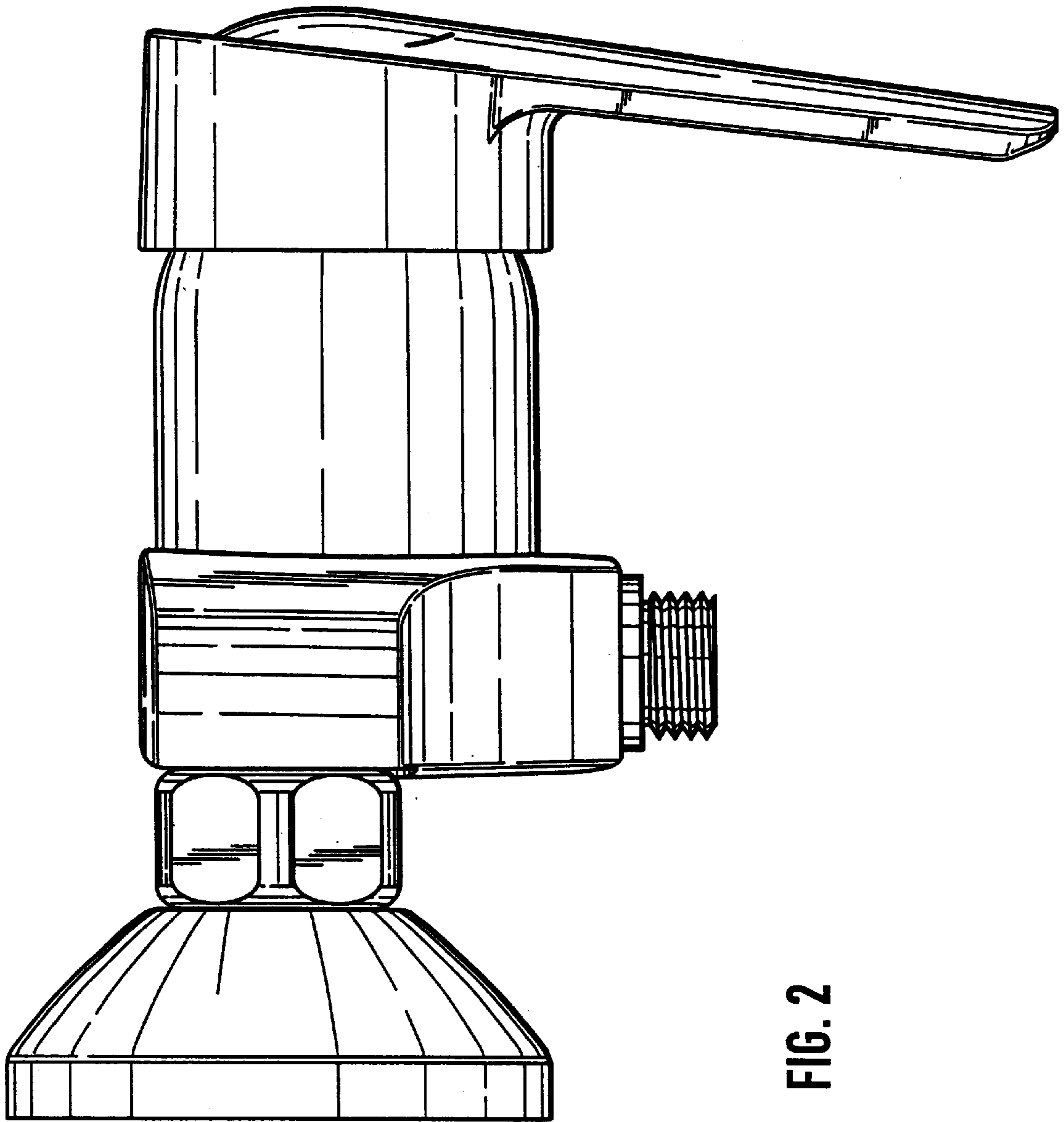


FIG. 2

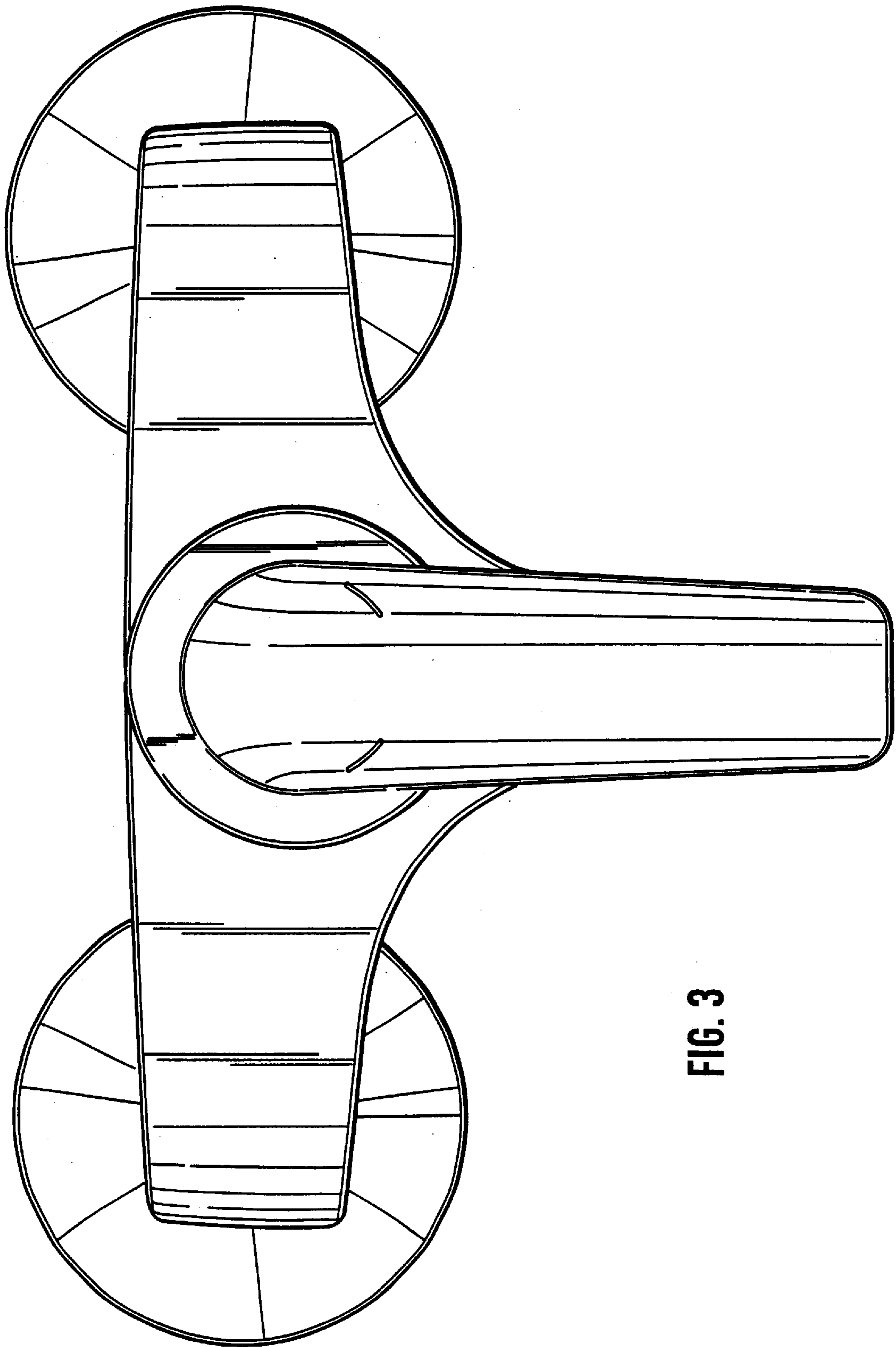


FIG. 3

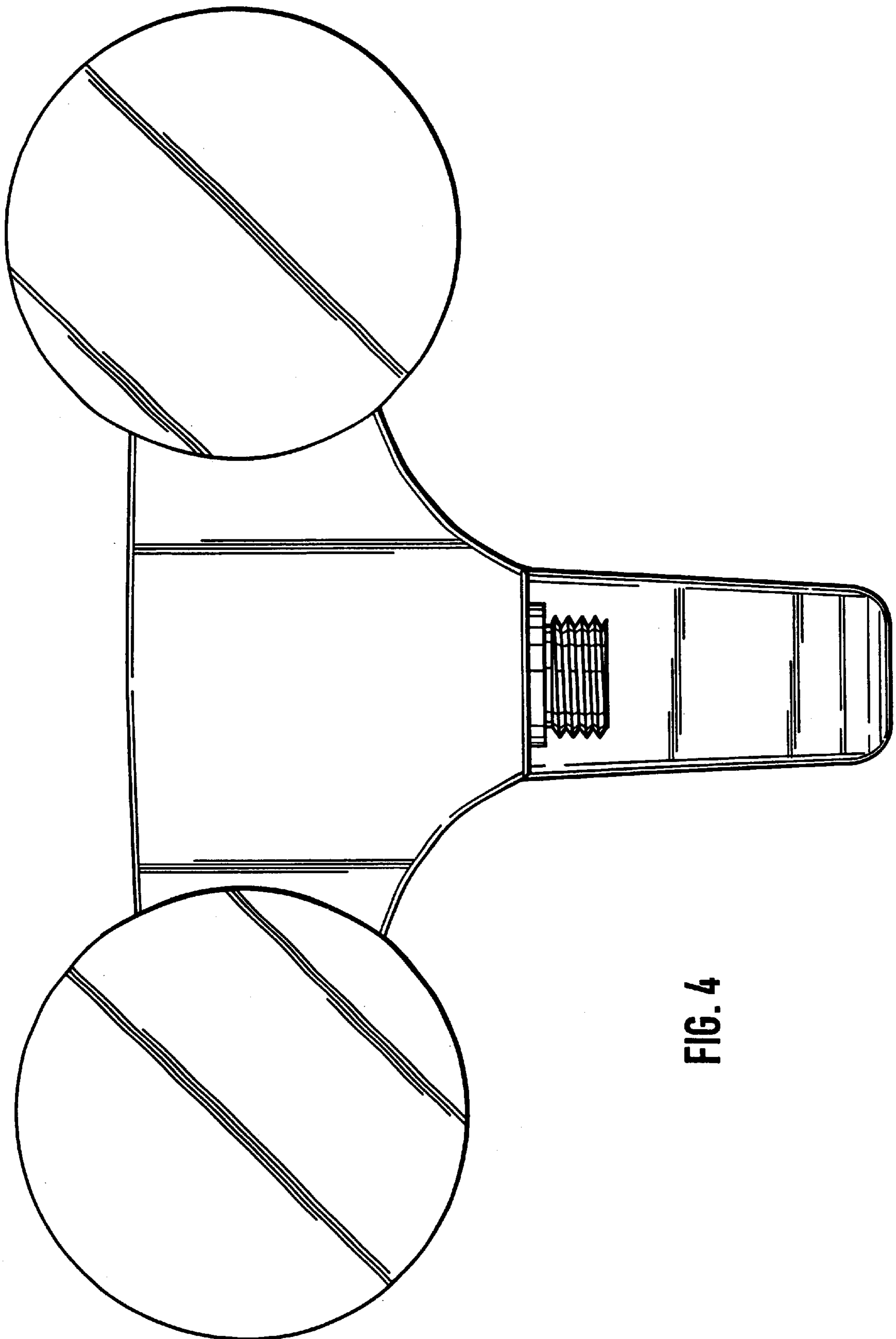
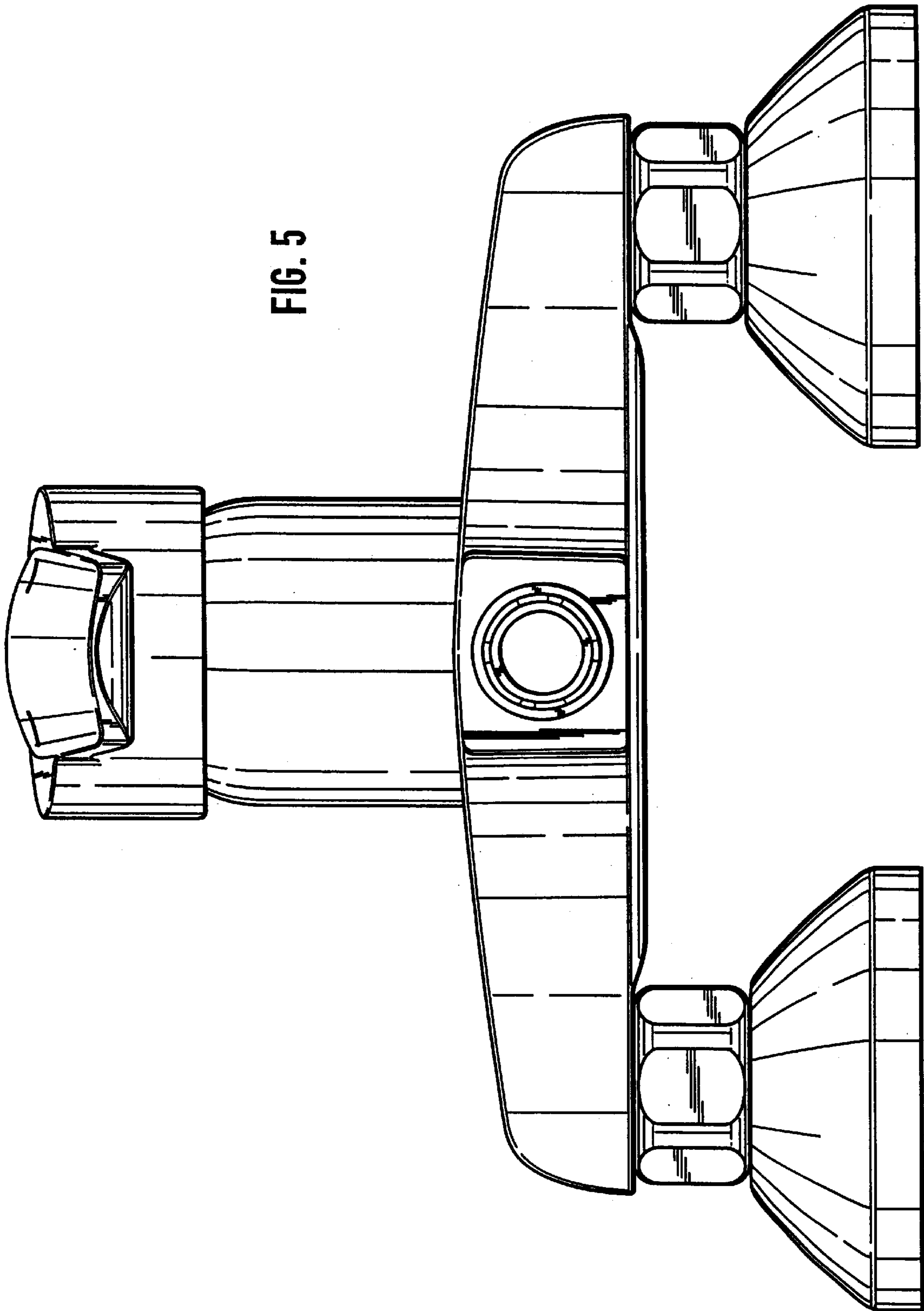


FIG. 4

FIG. 5



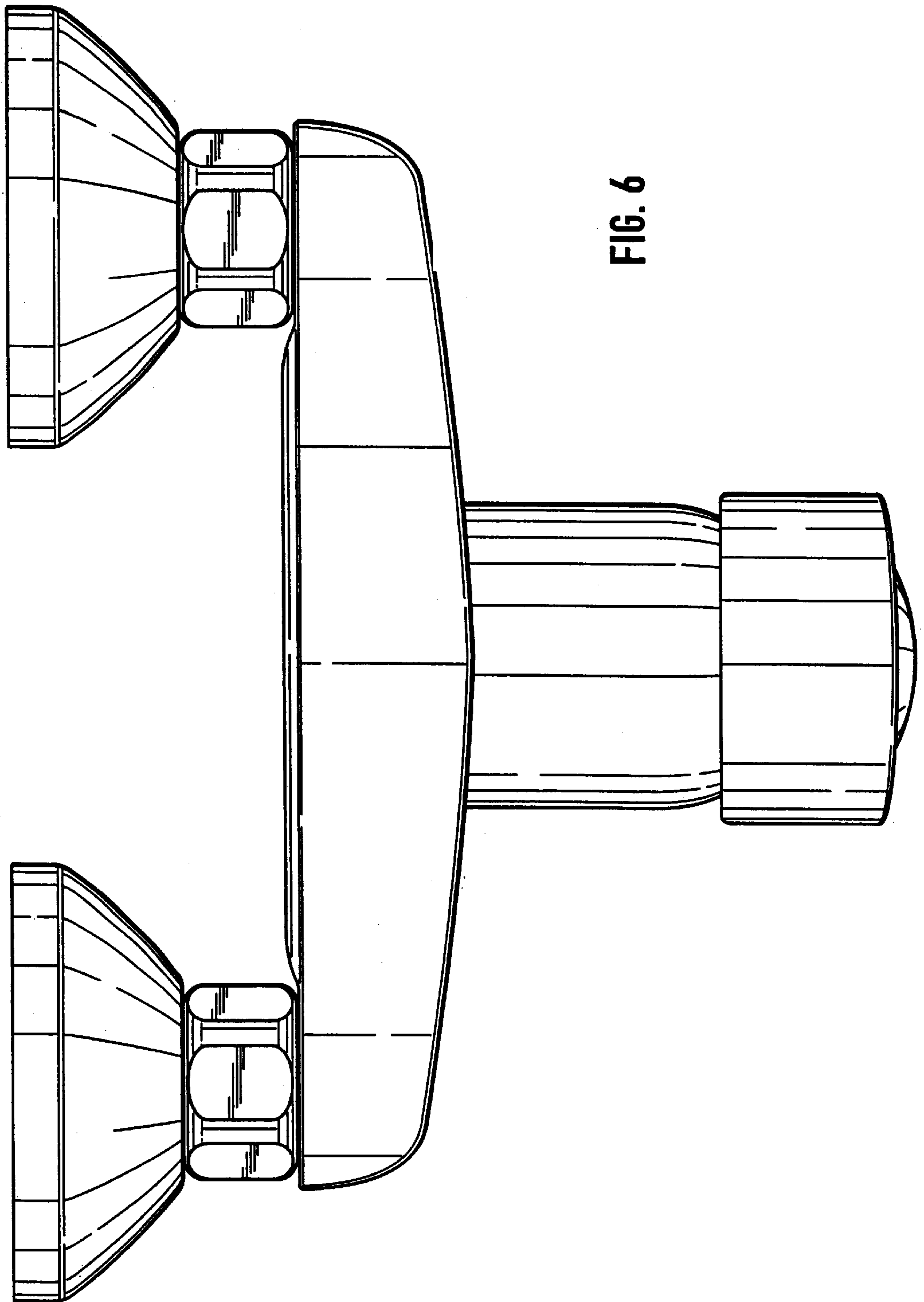


FIG. 6