



US00D444208S

(12) **United States Design Patent**
Ouano et al.

(10) **Patent No.:** **US D444,208 S**

(45) **Date of Patent:** **** Jun. 26, 2001**

(54) **SHOWERHEAD**

(75) Inventors: **Magno Ouano**, Jersey City; **Leszek Solowiej**, Montville, both of NJ (US)

(73) Assignee: **Melard Manufacturing Corp.**, Passaic, NJ (US)

(**) Term: **14 Years**

(21) Appl. No.: **29/132,430**

(22) Filed: **Nov. 8, 2000**

Related U.S. Application Data

(62) Division of application No. 29/119,566, filed on Mar. 2, 2000.

(51) **LOC (7) Cl.** **23-01**

(52) **U.S. Cl.** **D23/229**

(58) **Field of Search** D23/213, 229-230, D23/223; 239/394, 462

(56) **References Cited**

U.S. PATENT DOCUMENTS

D. 355,951 * 2/1995 Ran D23/213

D. 364,915 * 12/1995 Huang D23/213

D. 418,904 * 1/2000 Milrud D23/229

D. 430,265 * 8/2000 Tse D23/229

* cited by examiner

Primary Examiner—Robin V. Taylor

(74) *Attorney, Agent, or Firm*—Edgar A. Zarins; Lloyd D. Doigan

(57) **CLAIM**

The ornamental design for a showerhead, as shown and described.

DESCRIPTION

FIG. 1 is a perspective view of a showerhead showing our new design;

FIG. 2 is a front elevational view thereof;

FIG. 3 is a left side view thereof;

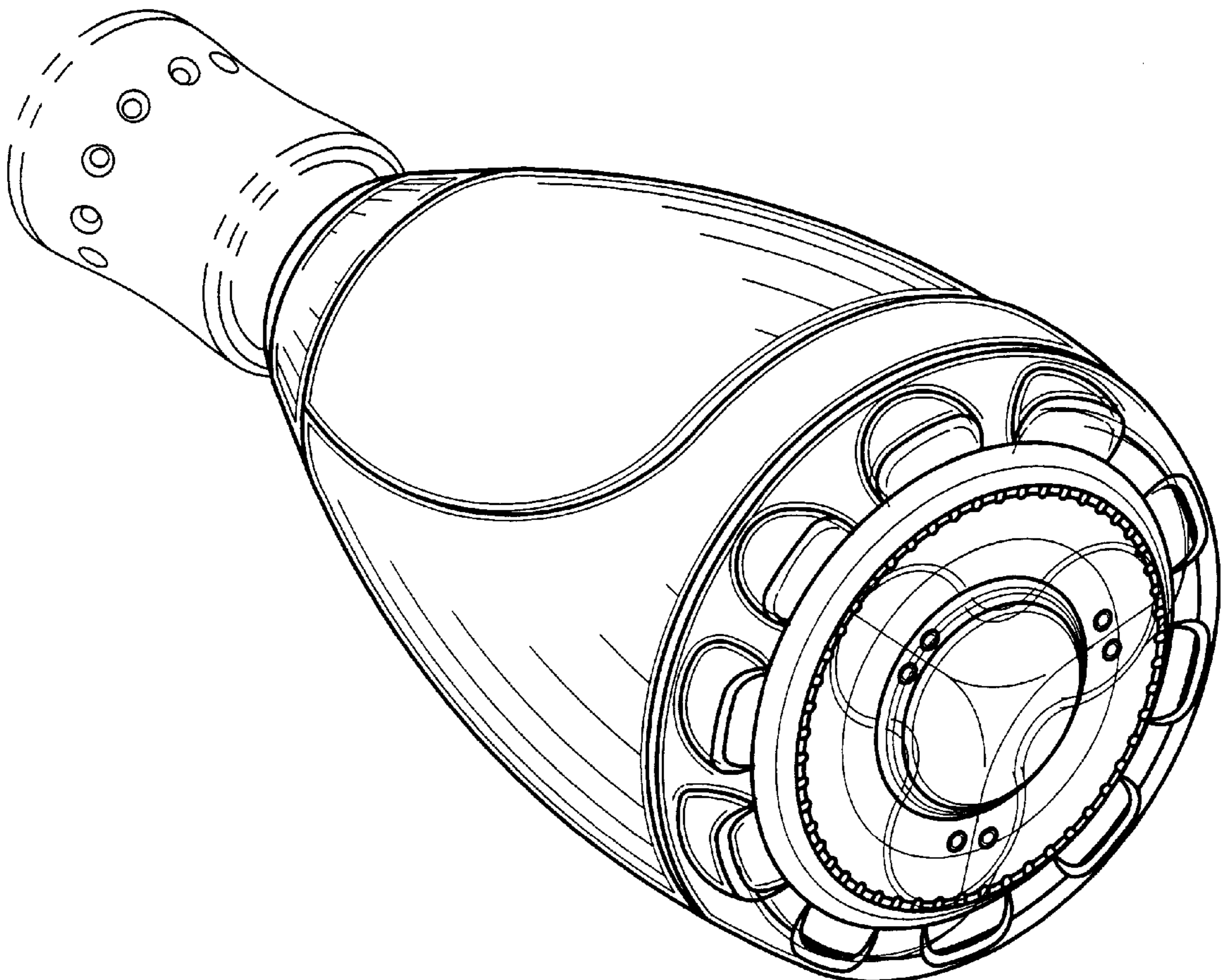
FIG. 4 is a rear elevational view thereof;

FIG. 5 is a top plan view thereof; and,

FIG. 6 is a bottom plan view thereof.

The broken line showing is for illustrative purposes only and forms no part of the claimed design.

1 Claim, 3 Drawing Sheets



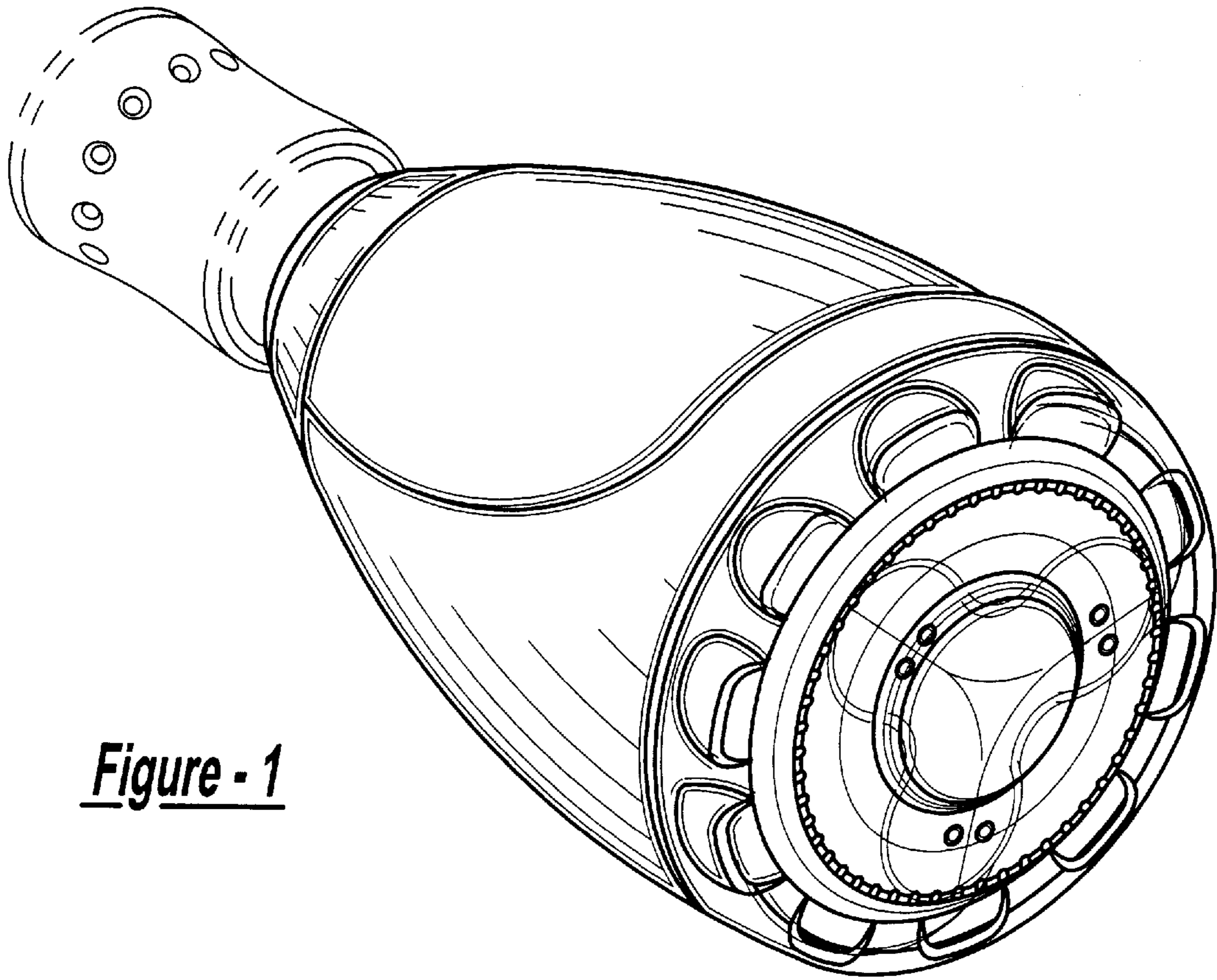


Figure - 1

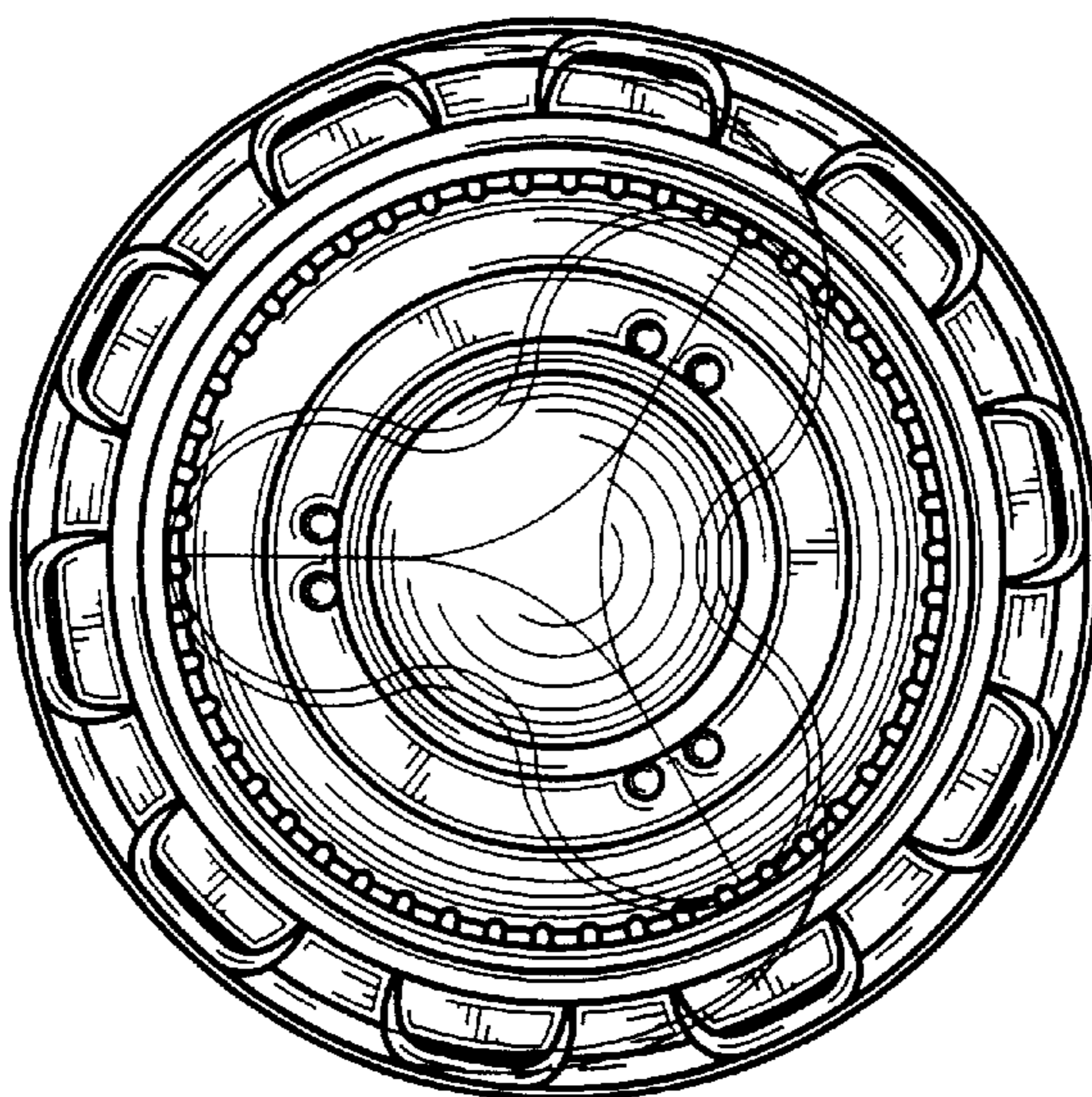


Figure - 2

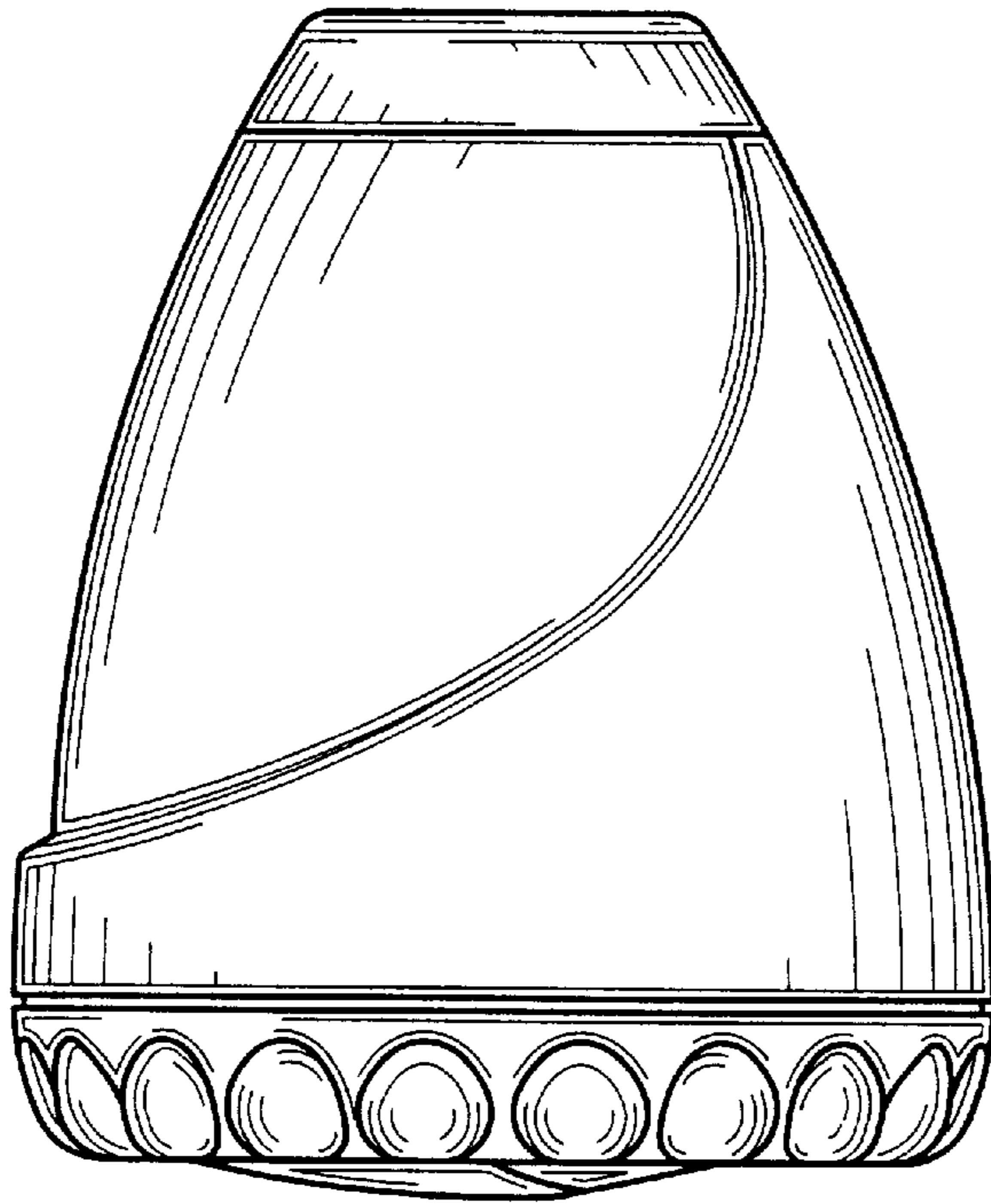


Figure - 3

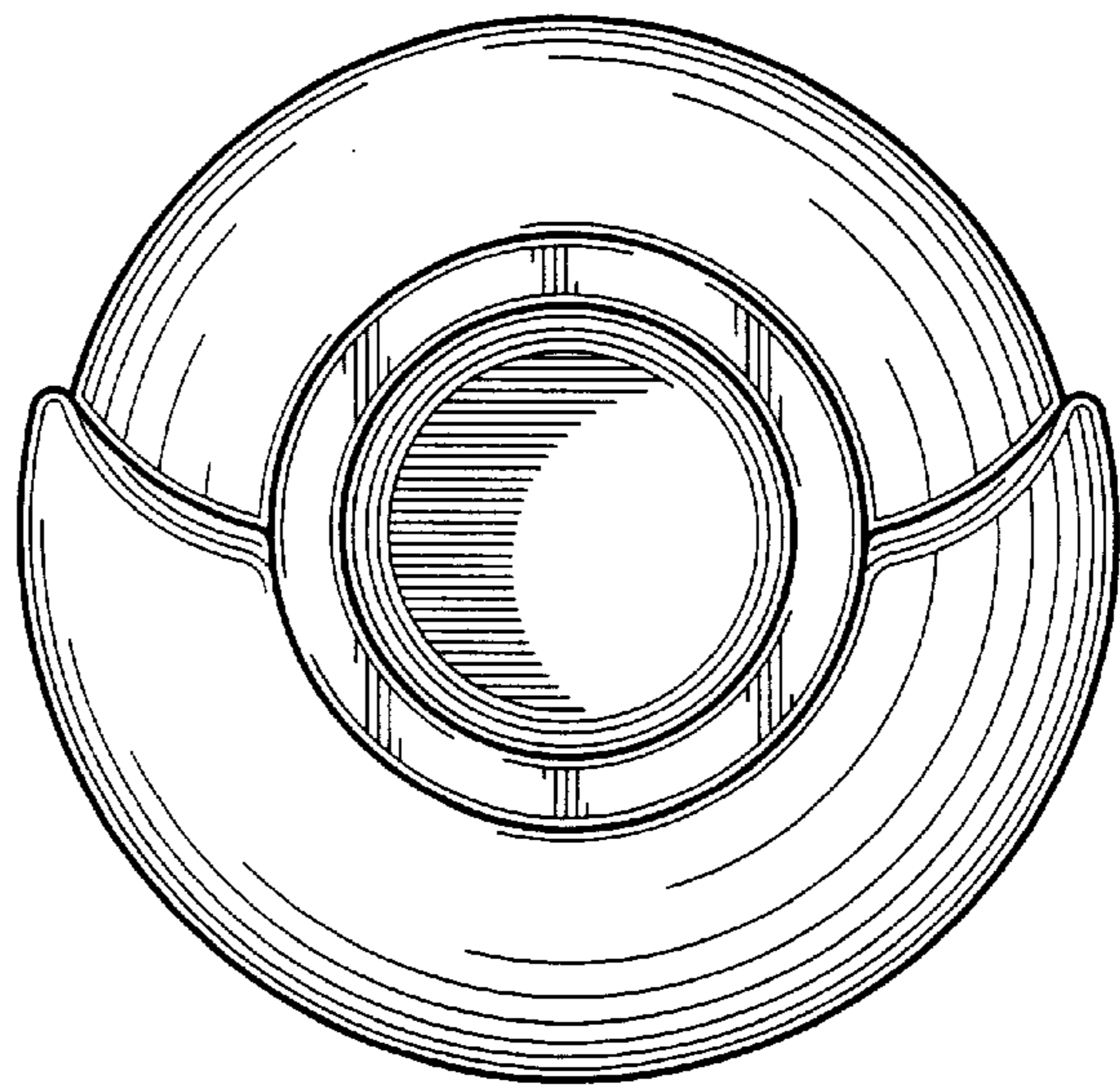


Figure - 4

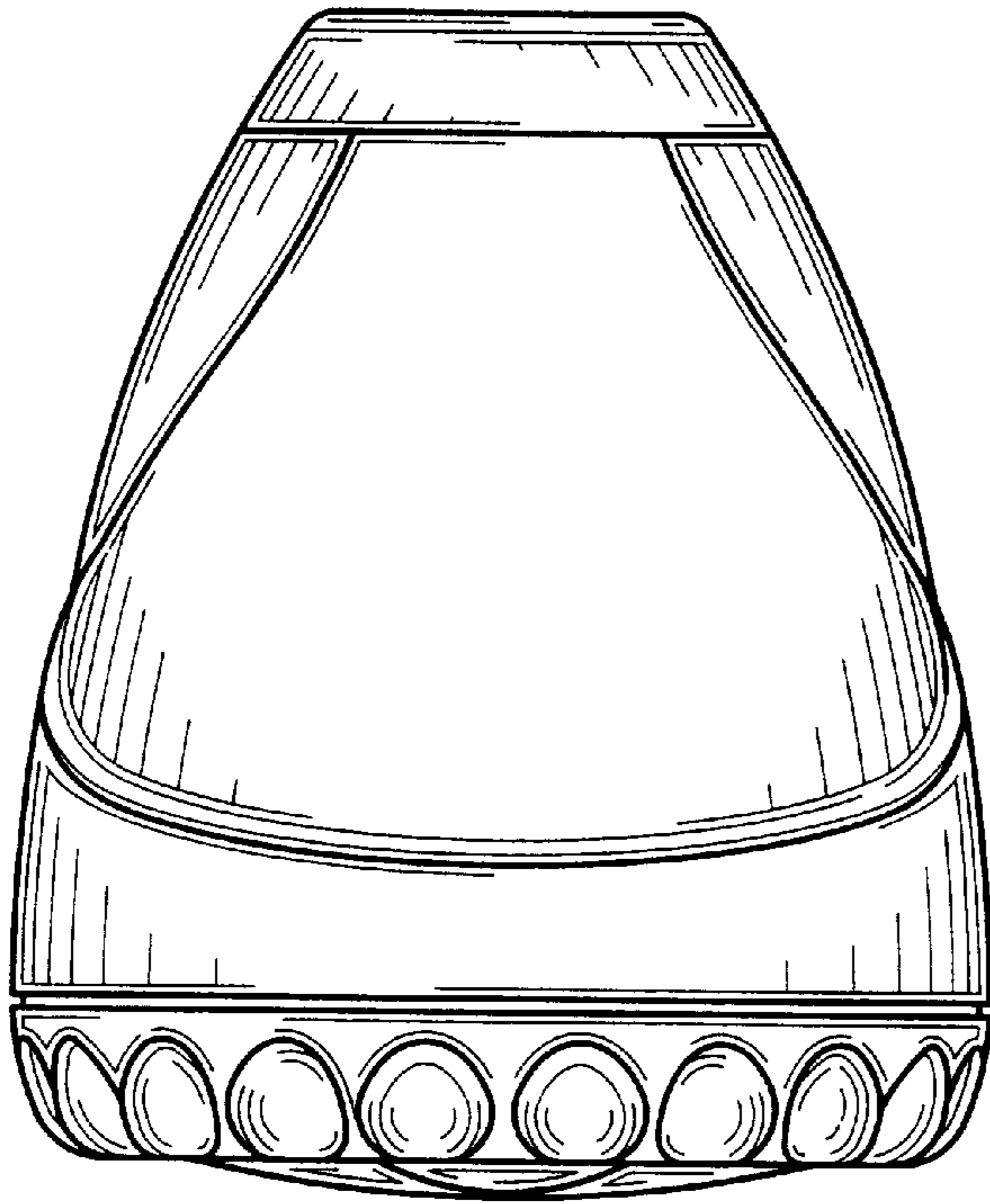


Figure - 5

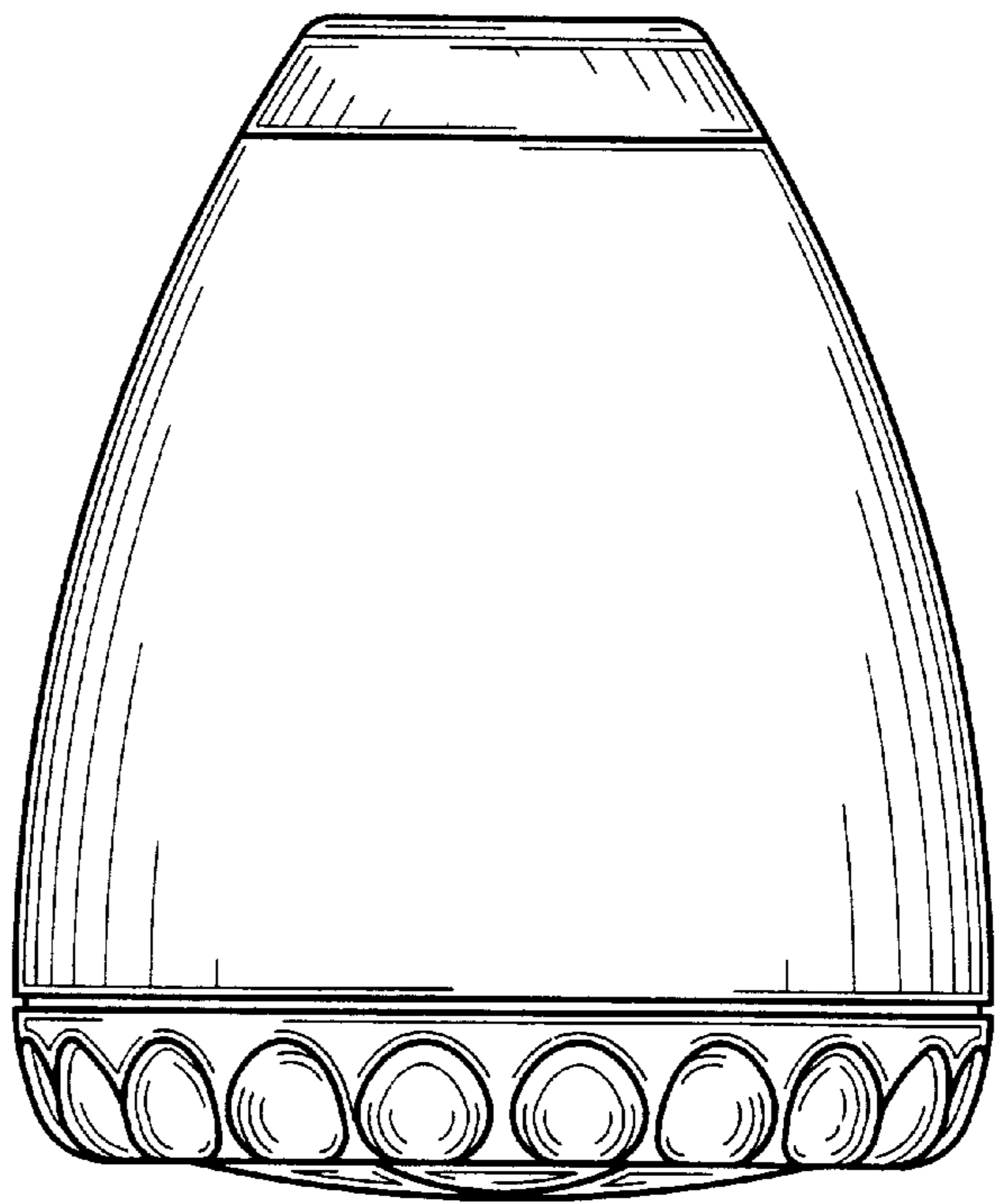


Figure - 6