



US00D444207S

(12) **United States Design Patent**
Tse

(10) **Patent No.:** **US D444,207 S**

(45) **Date of Patent:** **** Jun. 26, 2001**

(54) **SHOWER HEAD**

(76) **Inventor:** **Gary Hing Fai Tse**, Unit 23, 9th Floor,
Sino Industrial Plaza, 9 Kai Cheung
Road, Kowloon Bay, Kowloon (HK)

(**) **Term:** **14 Years**

(21) **Appl. No.:** **29/129,173**

(22) **Filed:** **Sep. 11, 2000**

(51) **LOC (7) Cl.** **23-01**

(52) **U.S. Cl.** **D23/223**

(58) **Field of Search** D23/213, 223,
D23/226, 229, 215; 239/394, 211

(56) **References Cited**

U.S. PATENT DOCUMENTS

- D. 424,160 * 5/2000 Haug et al. D23/223
- D. 433,096 * 10/2000 Tse D23/223

OTHER PUBLICATIONS

Nessie brochure; Handshower, Aug. 1995.*

* cited by examiner

Primary Examiner—Robin V. Taylor

(74) *Attorney, Agent, or Firm*—Leydig, Voit & Mayer, Ltd.

(57) **CLAIM**

The ornamental design for a shower head, as shown and described.

DESCRIPTION

FIG. 1 is a front and left side perspective view of a shower head showing my new design;

FIG. 2 is a front elevational view thereof;

FIG. 3 is a left side elevational view thereof;

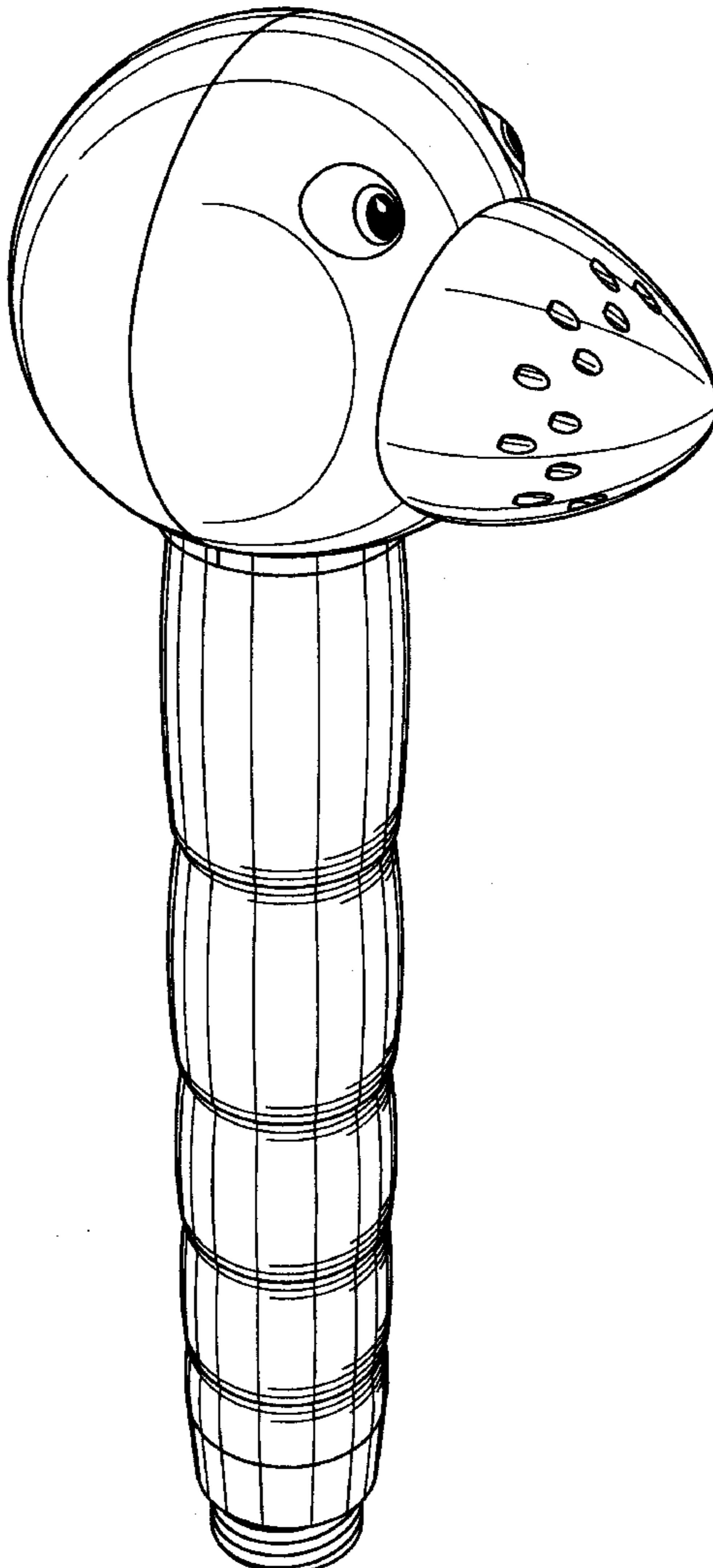
FIG. 4 is a right side elevational view thereof;

FIG. 5 is a rear elevational view thereof;

FIG. 6 is a top end elevational view thereof; and,

FIG. 7 is a bottom end elevational view thereof.

1 Claim, 4 Drawing Sheets



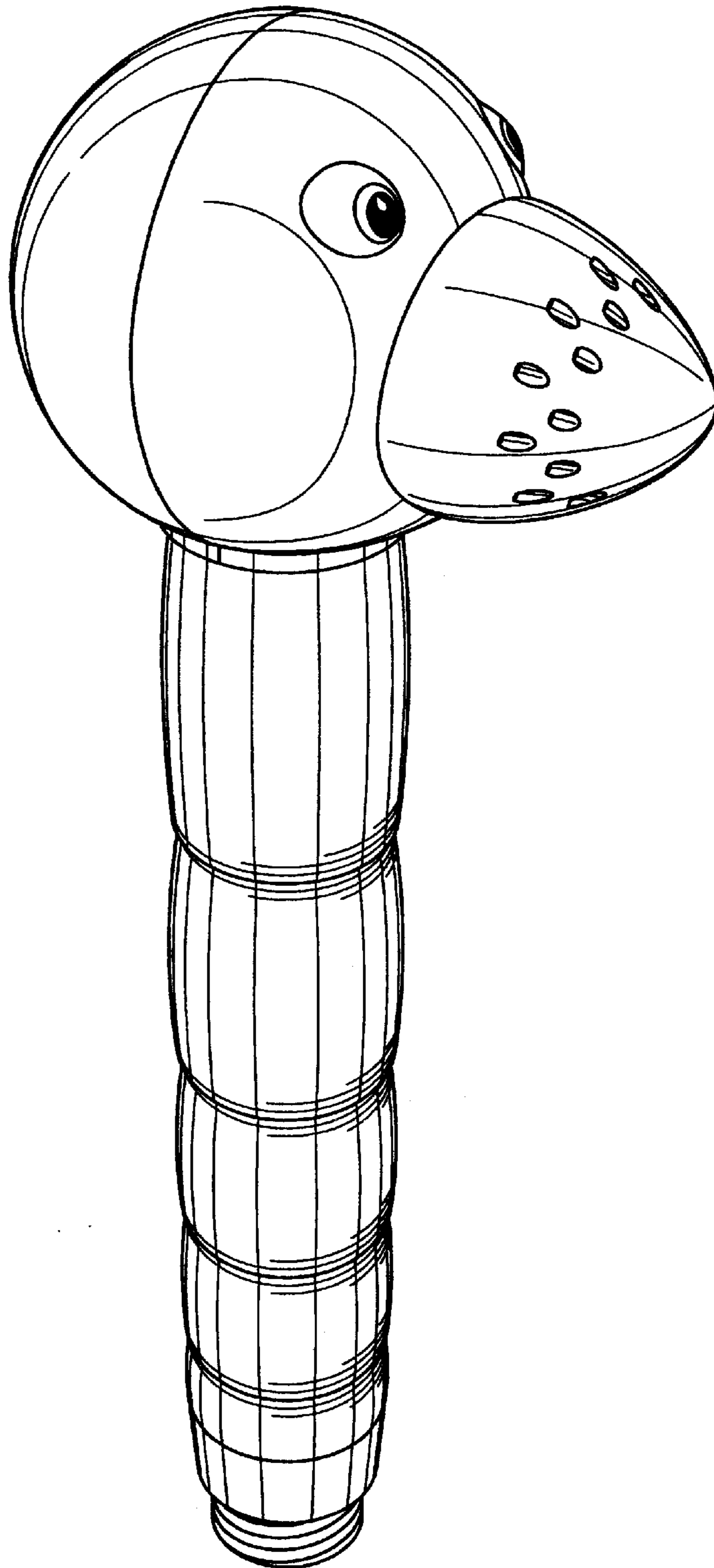


FIG. 1

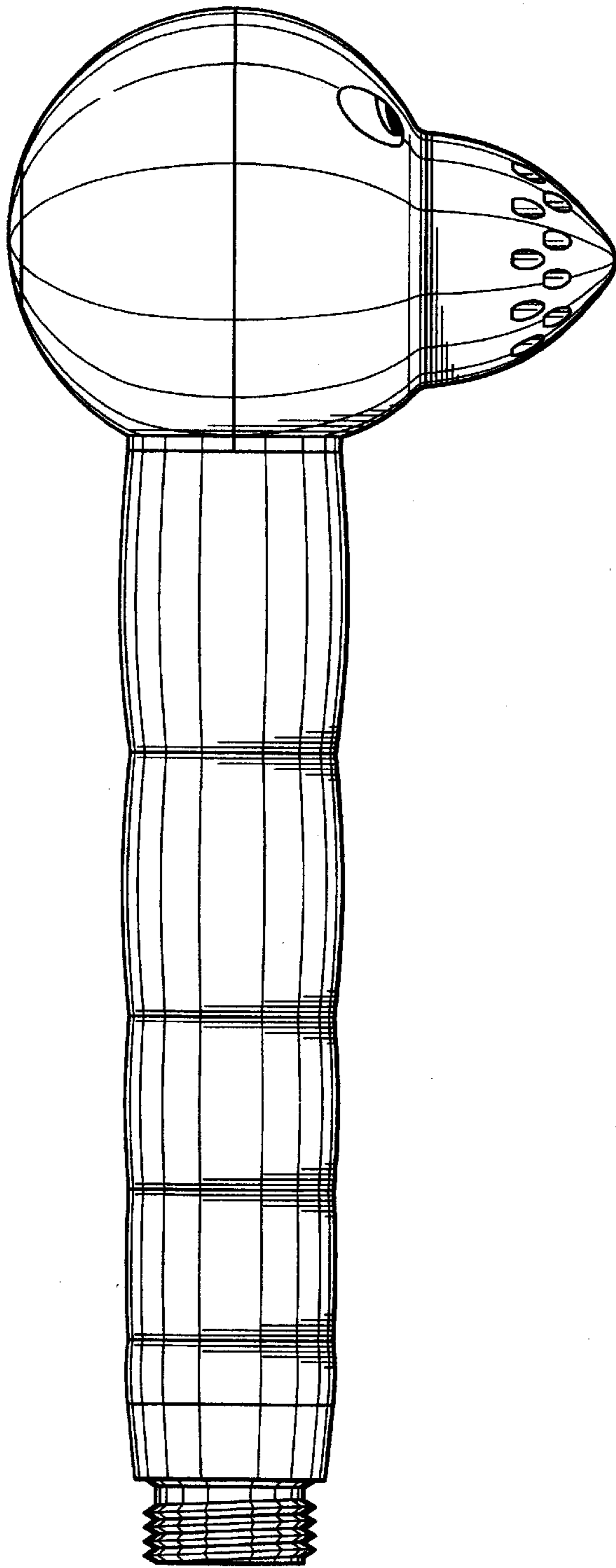


FIG. 3

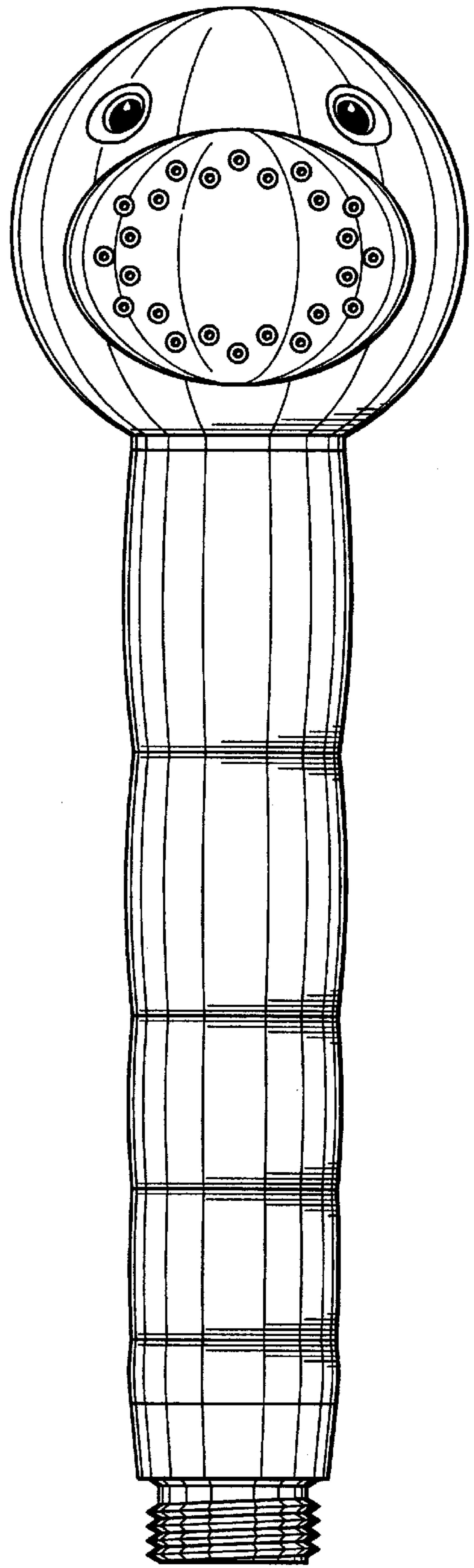


FIG. 2

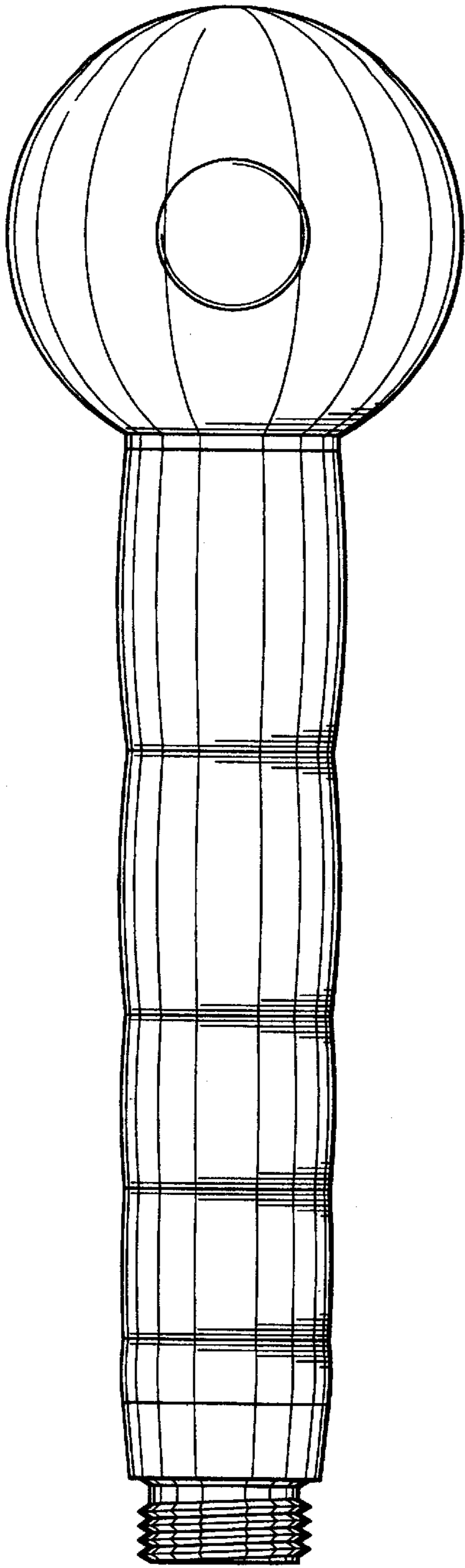


FIG. 5

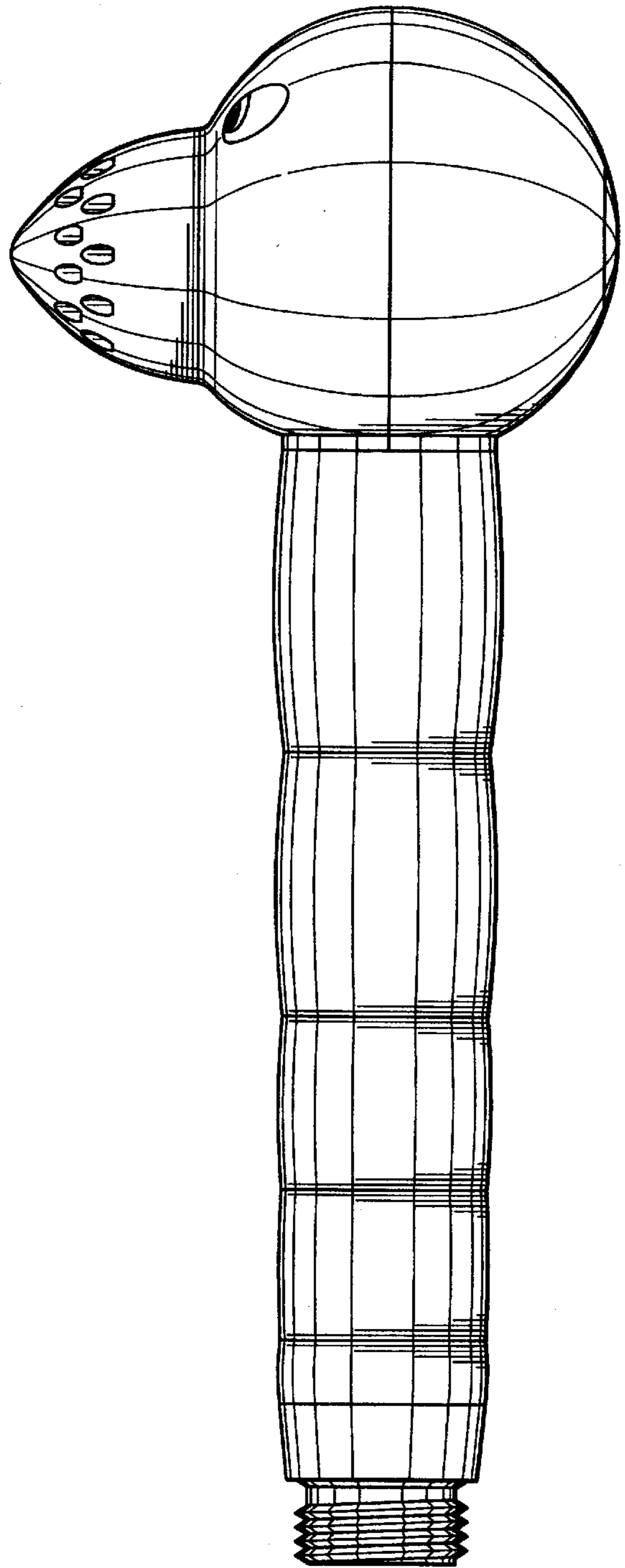


FIG. 4

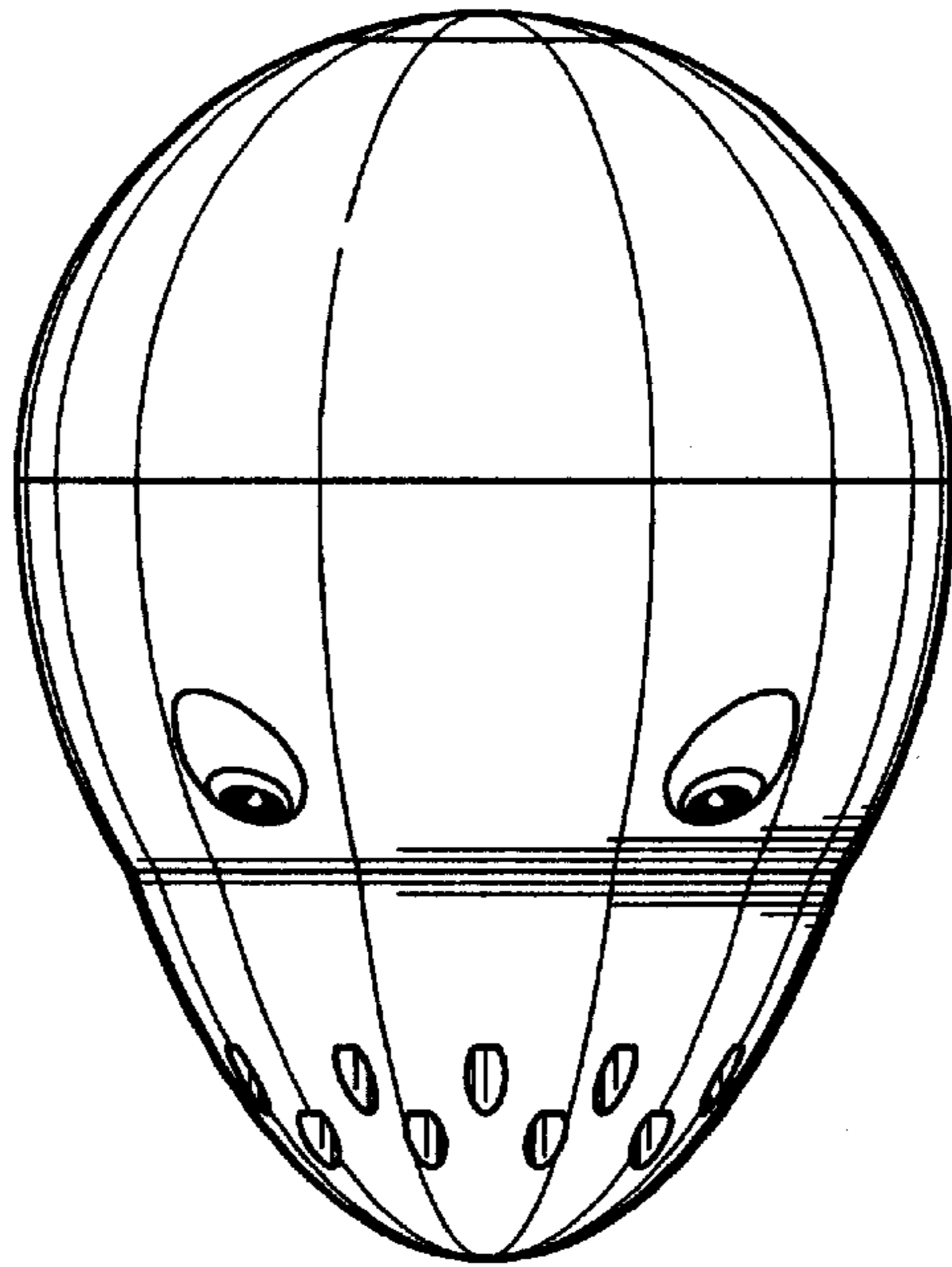


FIG. 6

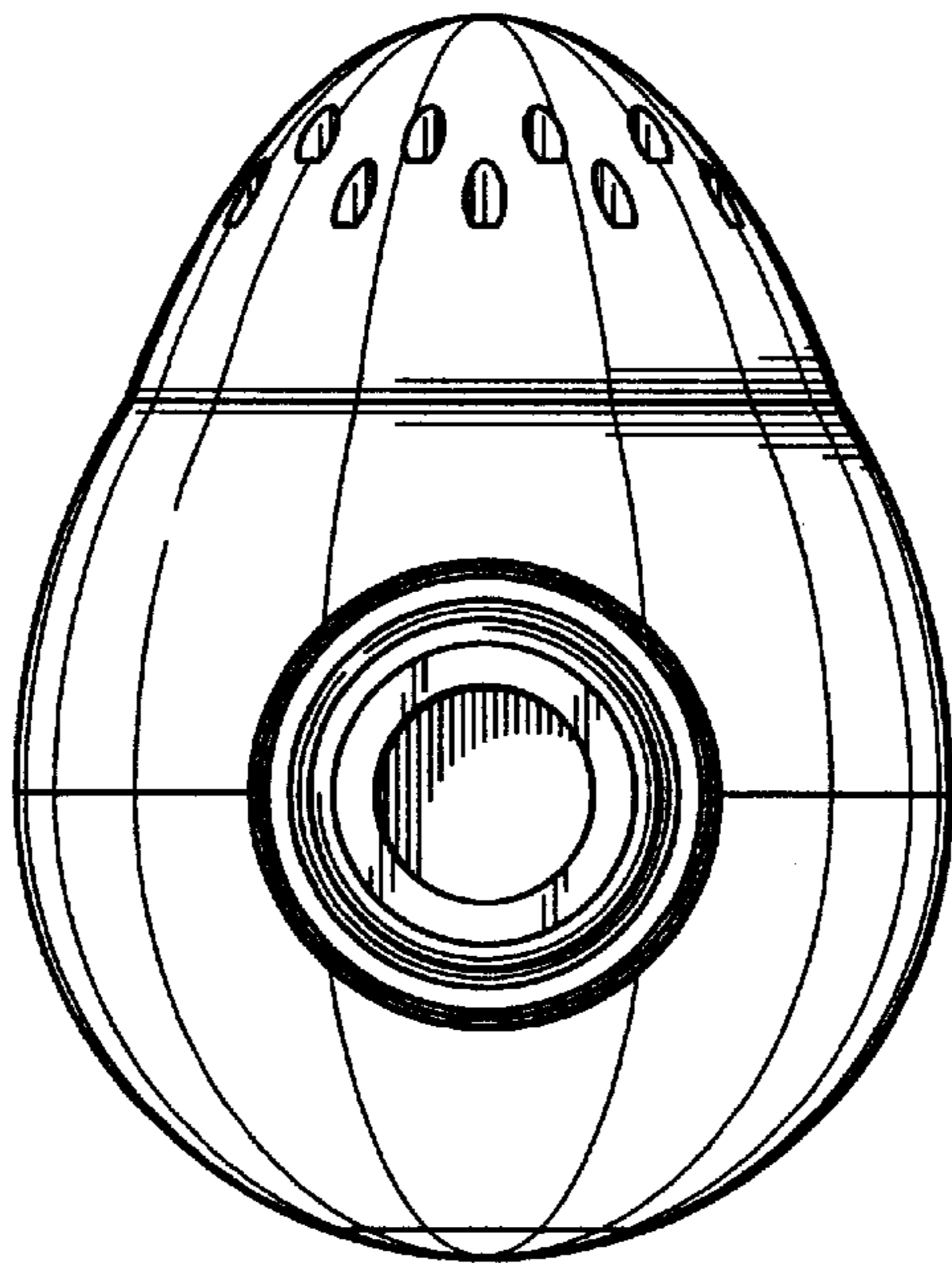


FIG. 7