



US00D444203S

(12) **United States Design Patent**  
**Leclair et al.**

(10) **Patent No.:** **US D444,203 S**

(45) **Date of Patent:** **\*\* Jun. 26, 2001**

(54) **INSULATED CONTAINER FOR WORMS**

(76) Inventors: **Jean Leclair; Jean-Guy St-Martin,**  
both of 402-A- Rt. 239,  
St-Germain-de-Grantham, Quebec (CA),  
J0C 1K0

(\*\*) Term: **14 Years**

(21) Appl. No.: **29/086,109**

(22) Filed: **Apr. 6, 1998**

(51) **LOC (7) Cl.** ..... **22-05**

(52) **U.S. Cl.** ..... **D22/136**

(58) **Field of Search** ..... D22/136, 134;  
D7/605; 43/55, 56; 220/902, 592.2; 206/545;  
62/371, 383, 457.1

(56) **References Cited**

**U.S. PATENT DOCUMENTS**

D. 257,377	*	10/1980	Andrews	.....	D22/136
D. 303,337	*	9/1989	Holma	.....	D7/605
2,172,196	*	9/1939	Flamm	.....	62/371
2,427,230	*	9/1947	Salzmann	.....	62/457.1
2,673,454	*	3/1954	Gallie et al.	.....	62/457.1
3,389,824	*	6/1968	Berchtold	.....	220/902
3,452,469	*	7/1969	White	.....	43/55
3,654,773	*	4/1972	White	.....	220/592.2
3,670,916	*	6/1972	Alpert	.....	206/545
3,670,918	*	6/1972	Mitchell	.....	206/545
5,205,432	*	4/1993	Gullan	.....	206/545

\* cited by examiner

*Primary Examiner*—Louis S. Zarfaz

*Assistant Examiner*—Inga-Maria Hyttinen

(74) *Attorney, Agent, or Firm*—Michel Belanger

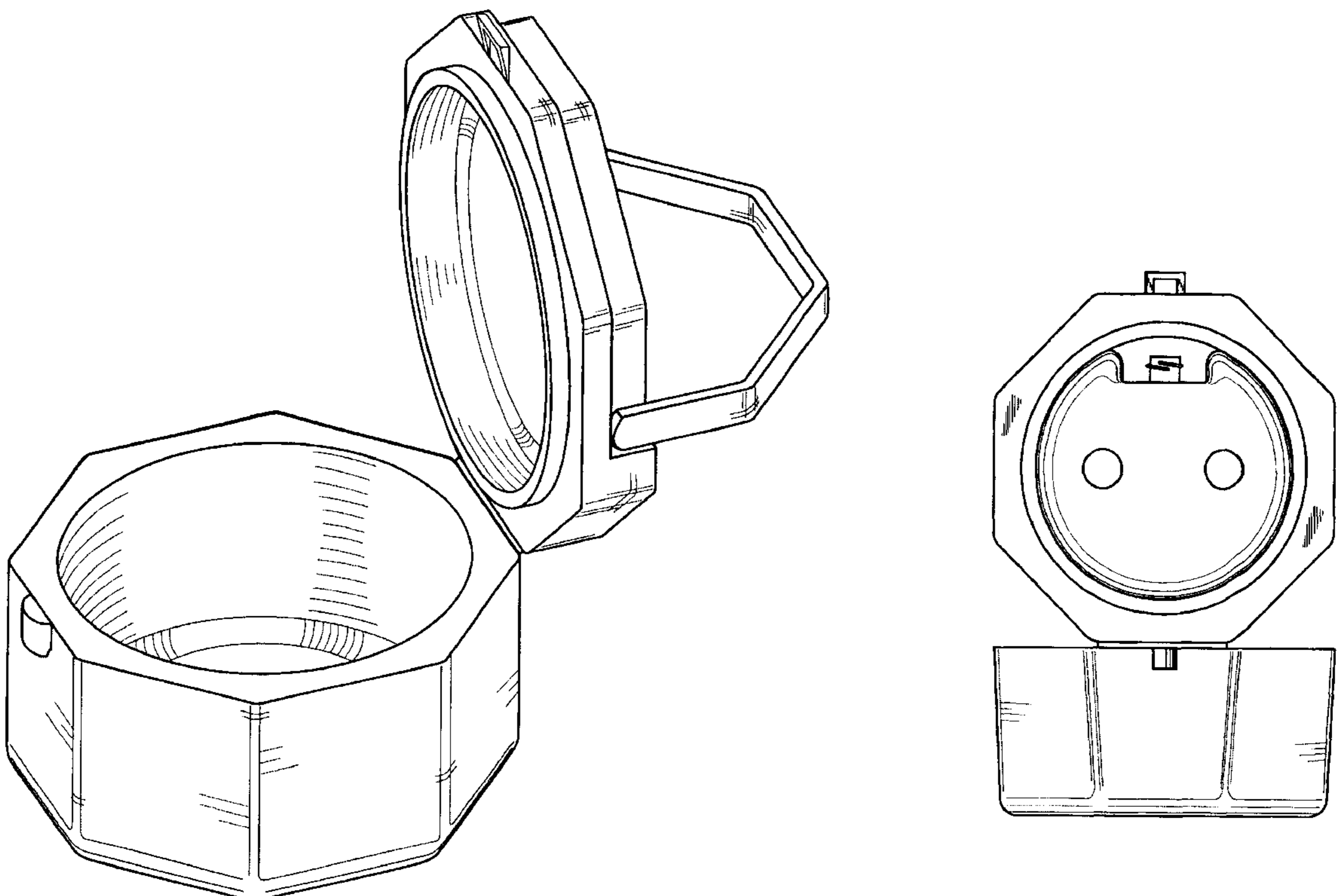
(57) **CLAIM**

The ornamental design for a insulated container for worms, as shown and described.

**DESCRIPTION**

FIG. 1 is a perspective view of the insulated container for worms showing our new design, with a lid set into an opened position and without an internal ice pack at the underneath of the lid which has been omitted for clarity of illustration; FIG. 2 is a front elevational view thereof with the lid set in a closed position; FIG. 3 is a rear elevational view thereof with the lid set in a closed position; FIG. 4 is a side elevational view thereof with the lid set in a closed position; FIG. 5 is a bottom plan view thereof with the lid set in a 180 degree opened position; FIG. 6 is a top plan view thereof with the lid set in a 180 degree opened position; FIG. 7 is a front elevational view thereof with the lid set in a 90 degree opened position and provided with a ice pack at the underneath of the lid; FIG. 8 is a top plan view of the ice pack shown in FIG. 7; and, FIG. 9 is a side elevational view of the ice pack of FIG. 8. The ice pack has been shown separately in FIGS. 8 and 9 for clarity of illustration.

**1 Claim, 4 Drawing Sheets**



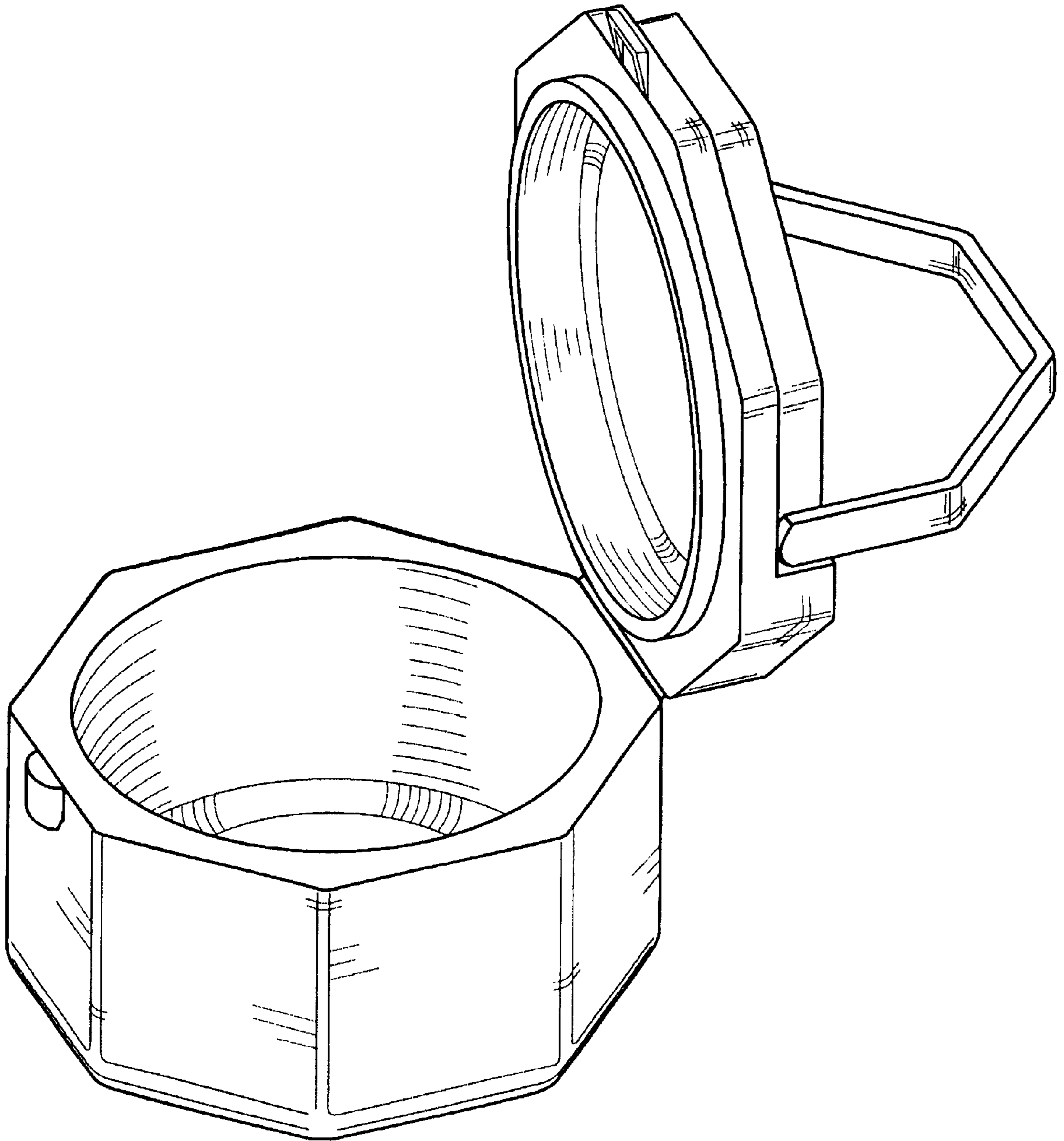


Figure 1

Figure 2

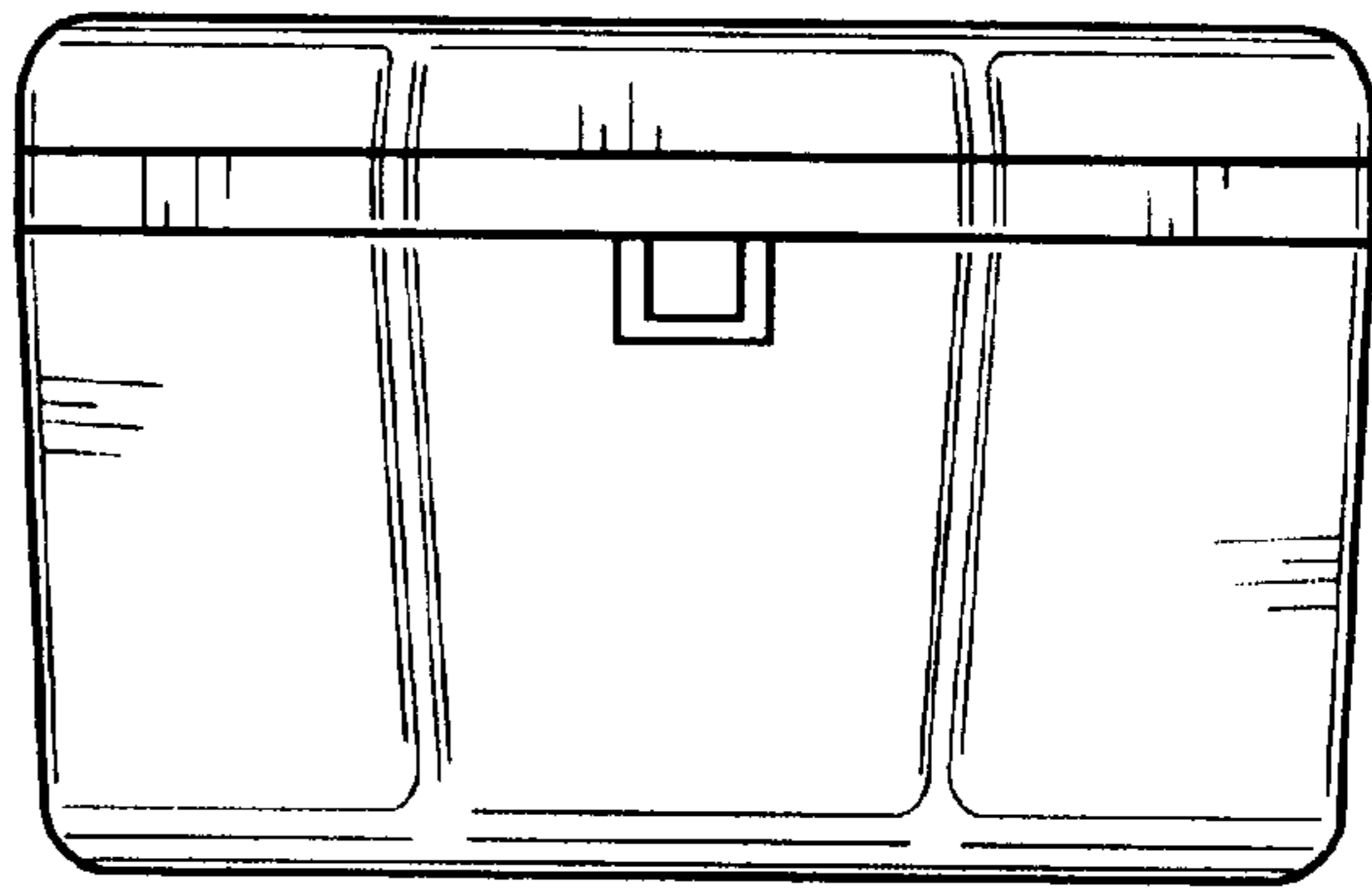


Figure 3

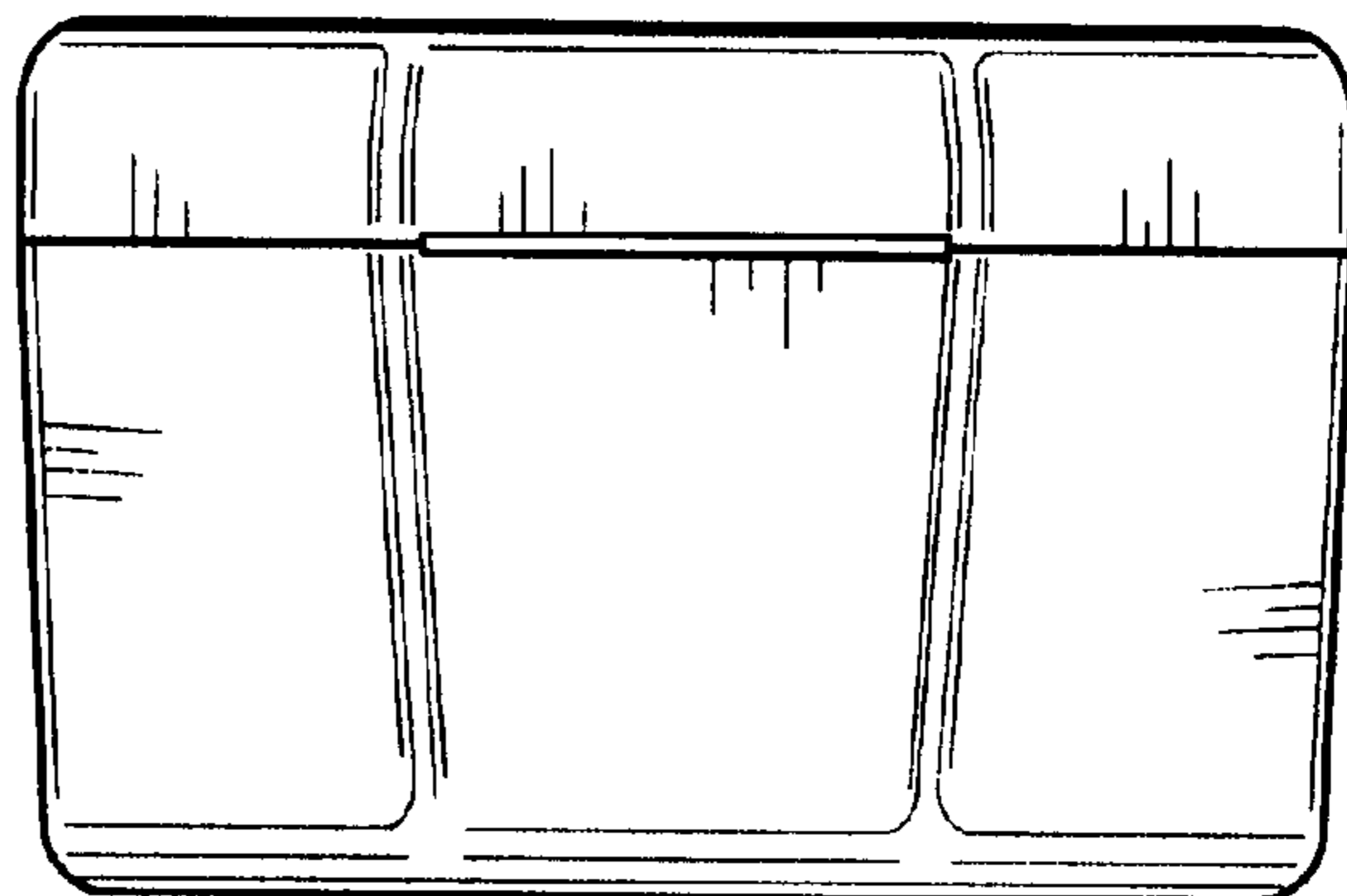
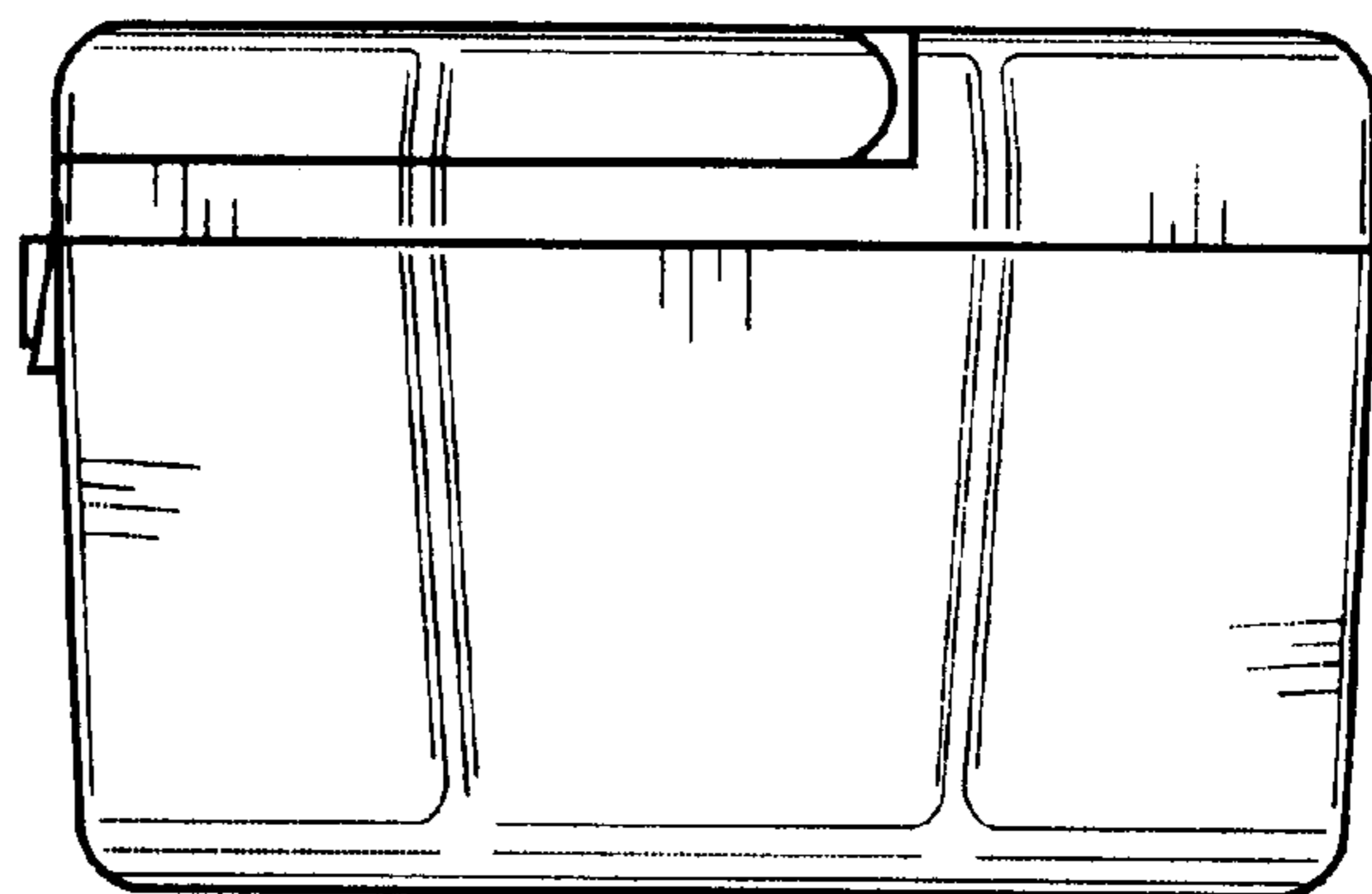


Figure 4



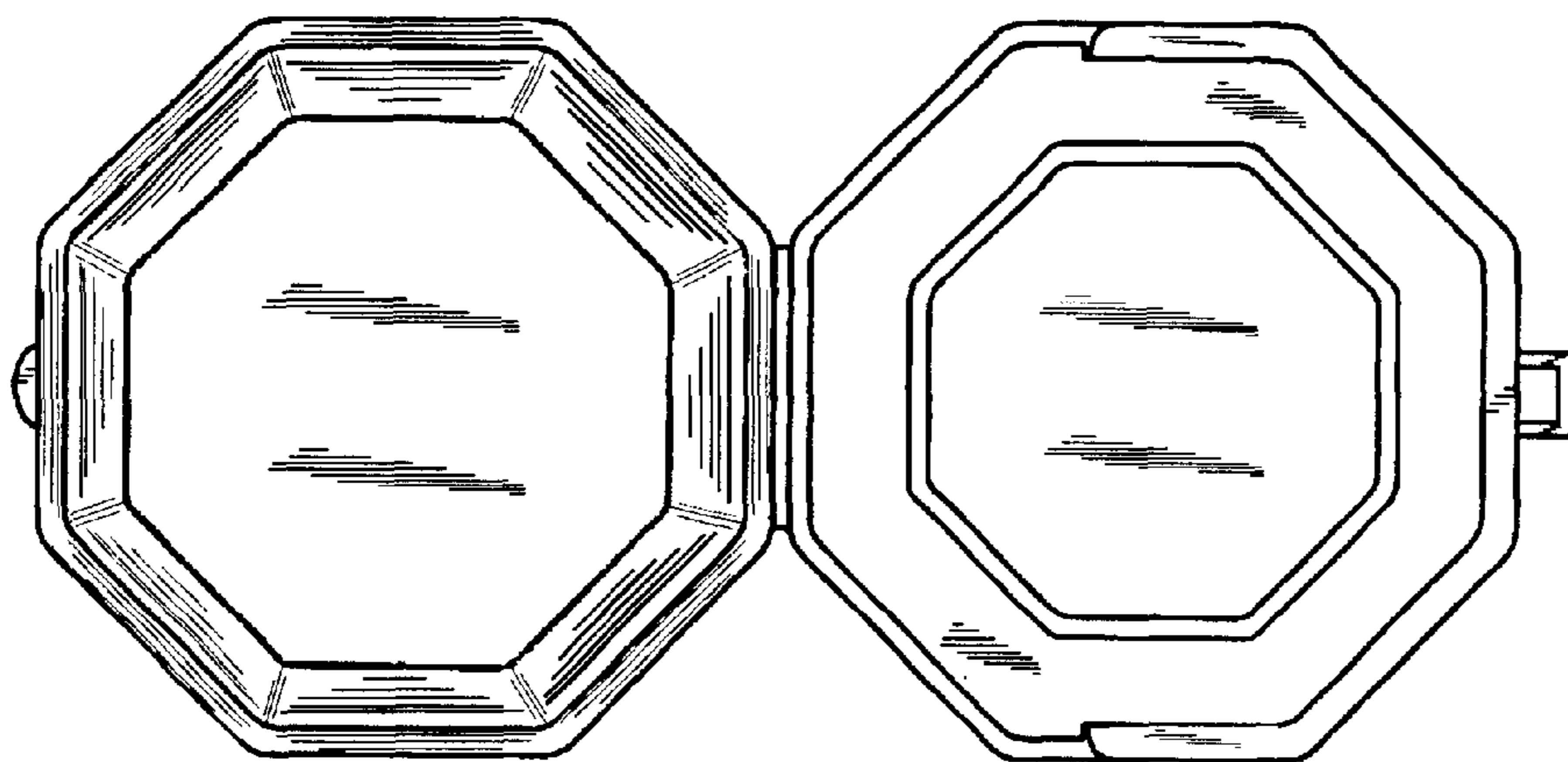


Figure 5

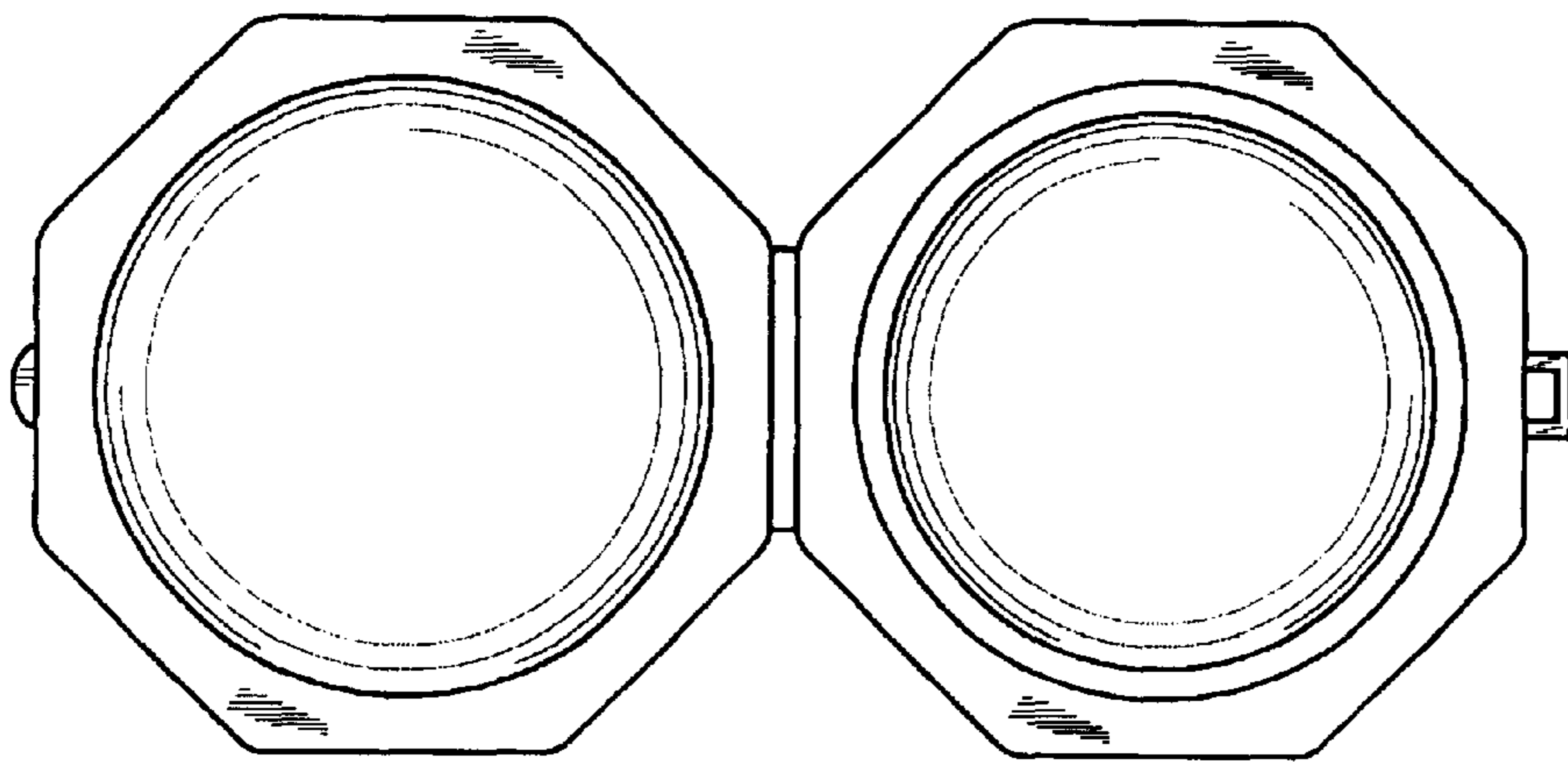


Figure 6

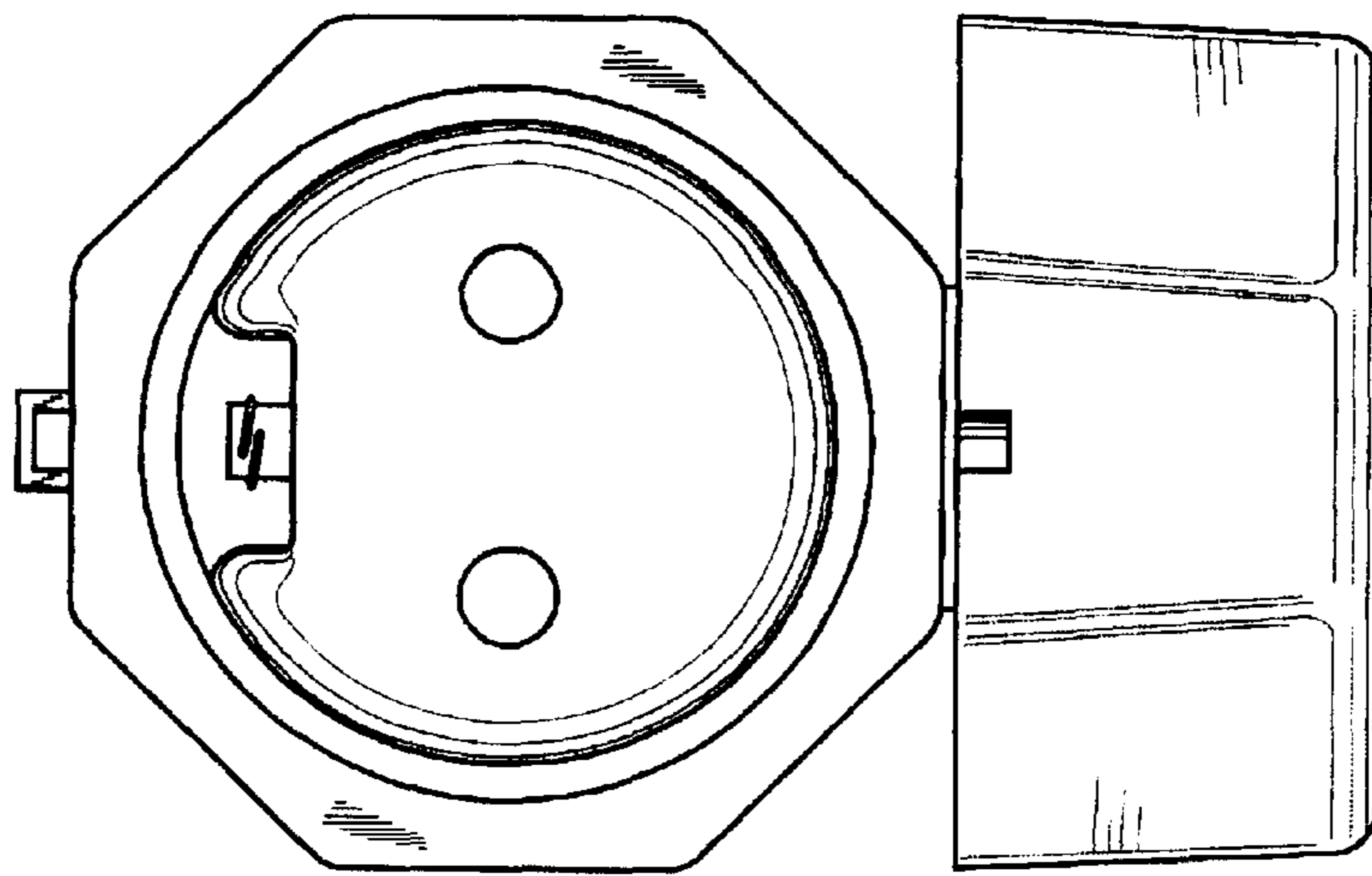


Figure 7

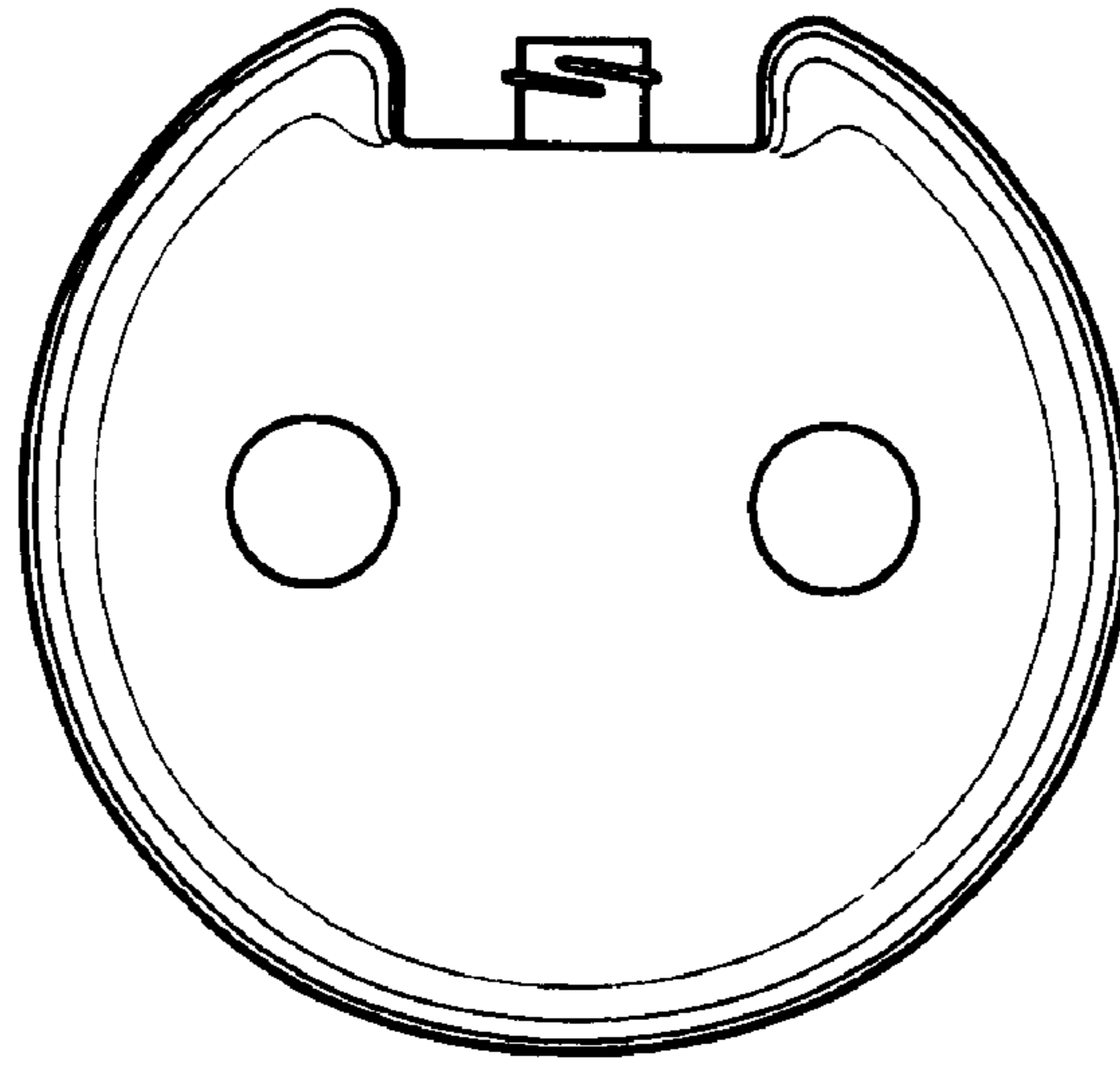


Figure 8

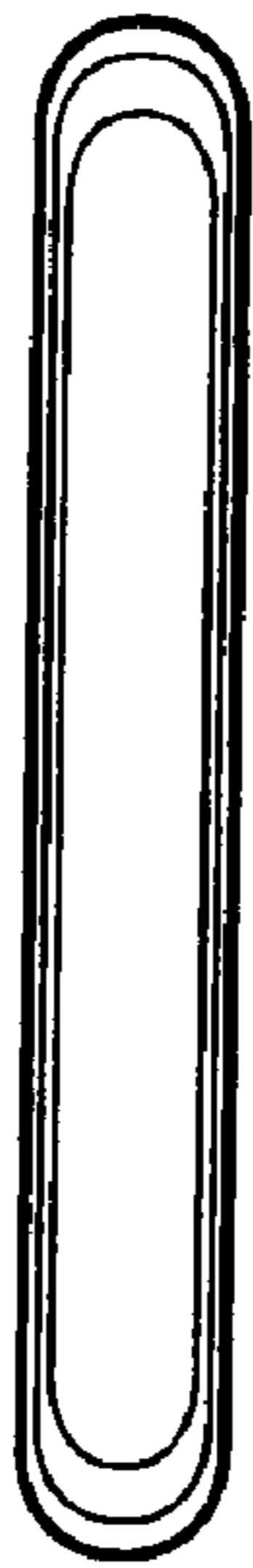


Figure 9