



US00D444201S

(12) **United States Design Patent**  
Norris, Sr.

(10) **Patent No.:** **US D444,201 S**  
(45) **Date of Patent:** **\*\* Jun. 26, 2001**

- (54) **SLING SWIVEL**
- (75) Inventor: **Larry Alfred Norris, Sr.**, Hillsboro,  
OR (US)
- (73) Assignee: **Michaels of Oregon Co.**, Oregon City,  
OR (US)
- (\*\*) Term: **14 Years**
- (21) Appl. No.: **29/113,732**
- (22) Filed: **Nov. 10, 1999**
- (51) **LOC (7) Cl.** ..... **22-01**
- (52) **U.S. Cl.** ..... **D22/108**
- (58) **Field of Search** ..... D22/100, 108,  
D22/199; 42/83, 85; 224/150; 24/2.5

4,841,658	6/1989	Katsenes .	
5,067,267	11/1991	Ives .	
5,074,069	12/1991	Shire .	
5,279,060	1/1994	Watson .	
5,692,654	* 12/1997	Bell .....	24/2.5 X
6,178,600	* 1/2001	French .....	42/85 X

\* cited by examiner

*Primary Examiner*—Louis S. Zarfaz  
*Assistant Examiner*—Monica A. Weingart  
(74) *Attorney, Agent, or Firm*—Chernoff, Vilhauer,  
McClung & Stenzel LLP

(57) **CLAIM**

The ornamental design for a sling swivel, as shown and described.

**DESCRIPTION**

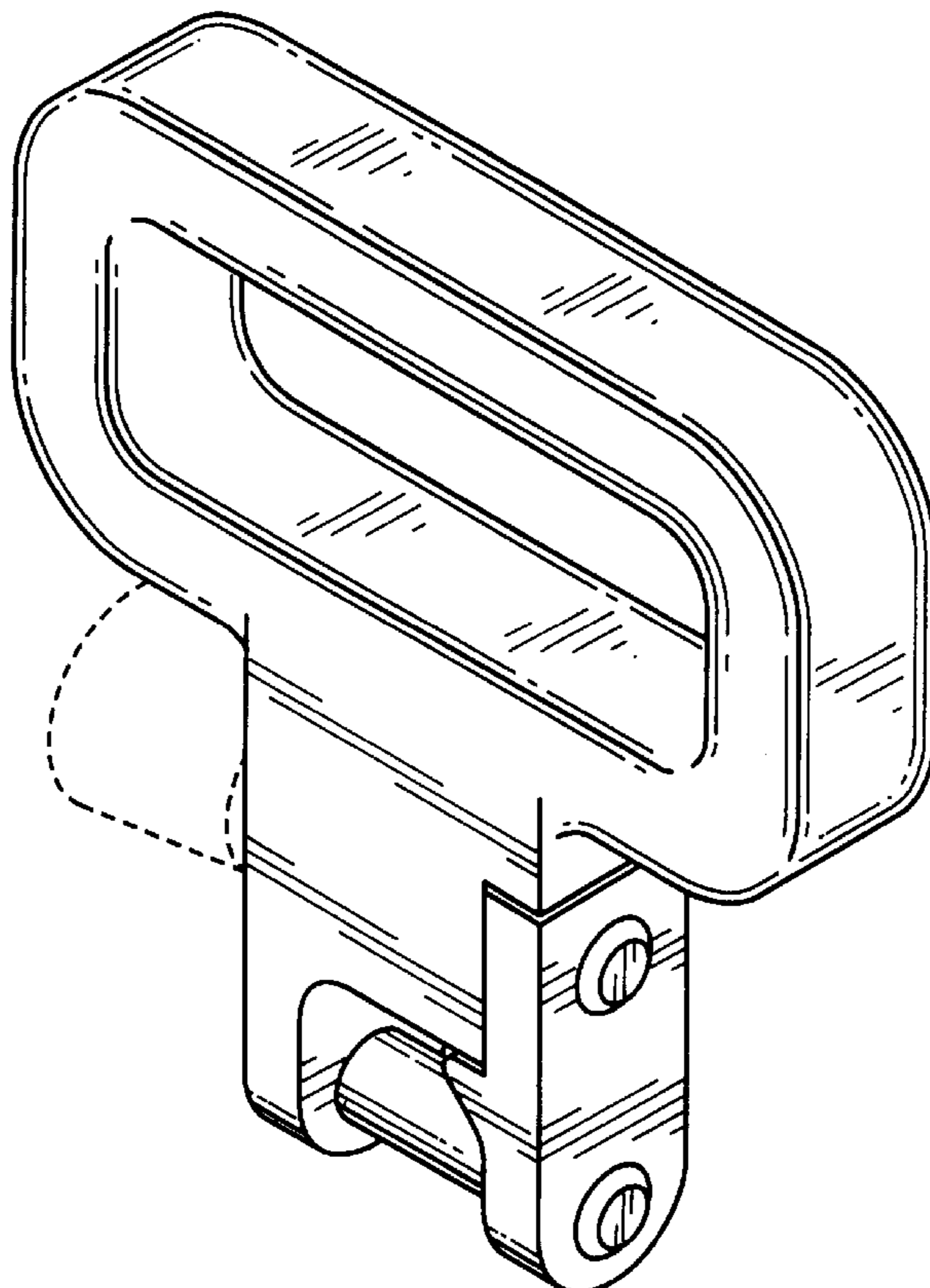
FIG. 1 is a perspective view of the sling swivel of the present invention;  
FIG. 2 is a front elevational view thereof, the rear side view being a mirror image thereof;  
FIG. 3 is a right side elevational view thereof;  
FIG. 4 is a left side elevational view thereof;  
FIG. 5 is a top plan view thereof; and,  
FIG. 6 is a bottom plan view thereof.  
The broken line showing of the outer pivot, in FIGS. 1 and 2, is for illustrative purposes only and forms no part of the claimed design.

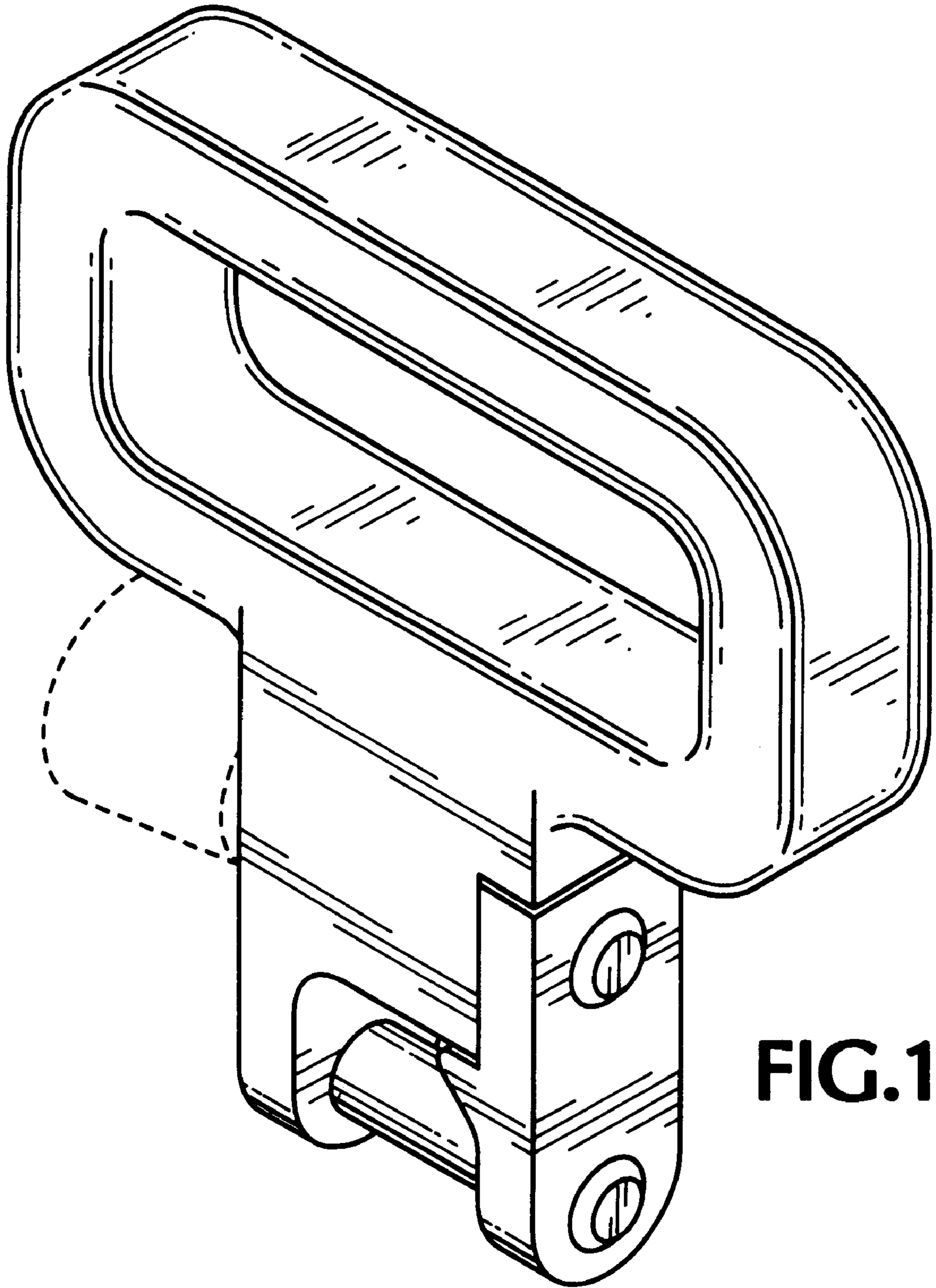
(56) **References Cited**

**U.S. PATENT DOCUMENTS**

1,088,314	1/1914	Wilcke .	
1,309,431	* 7/1919	Badger .....	24/2.5
1,913,841	* 6/1933	Lowe .....	42/85
2,078,010	4/1937	Meepos .	
2,190,268	* 2/1940	Magid .....	24/2.5
2,296,733	* 9/1942	Paolino .....	24/2.5
2,771,699	11/1956	Herter .	
3,704,537	12/1972	McKinzie .	
4,299,343	11/1981	Atchisson .	
4,454,675	6/1984	Ives .	
4,505,012	3/1985	Johnson .	

**1 Claim, 2 Drawing Sheets**





**FIG. 1**

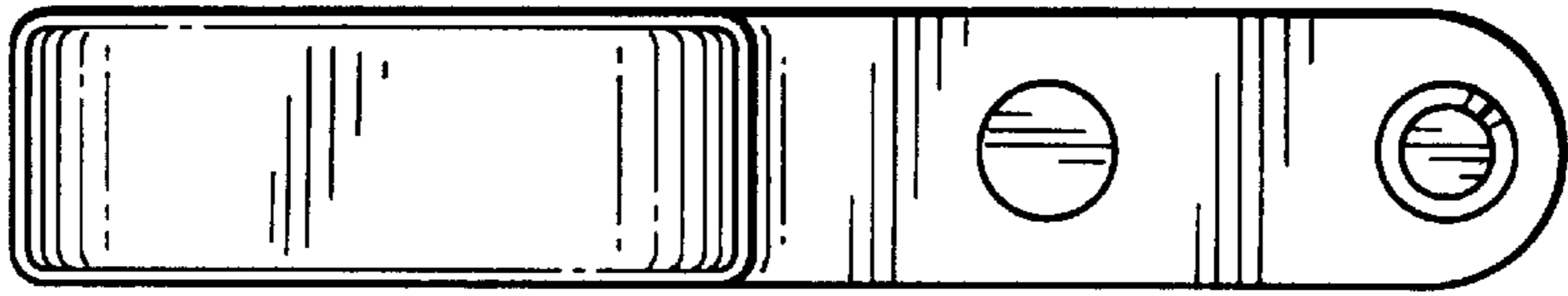
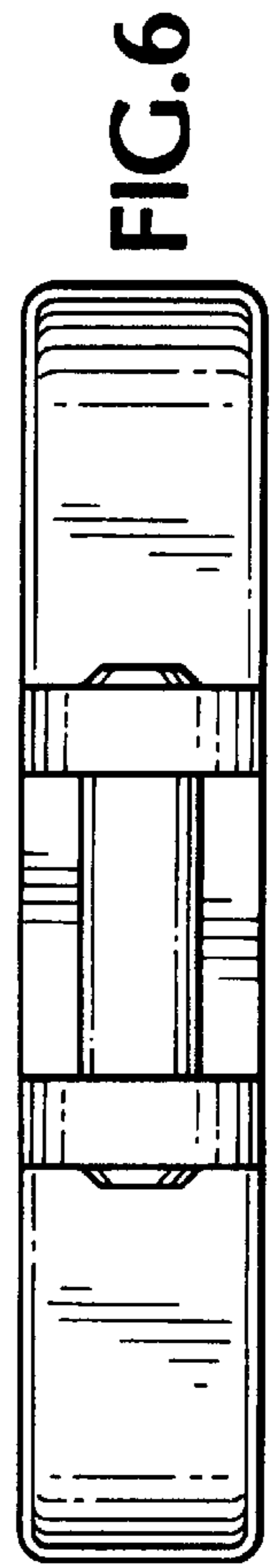
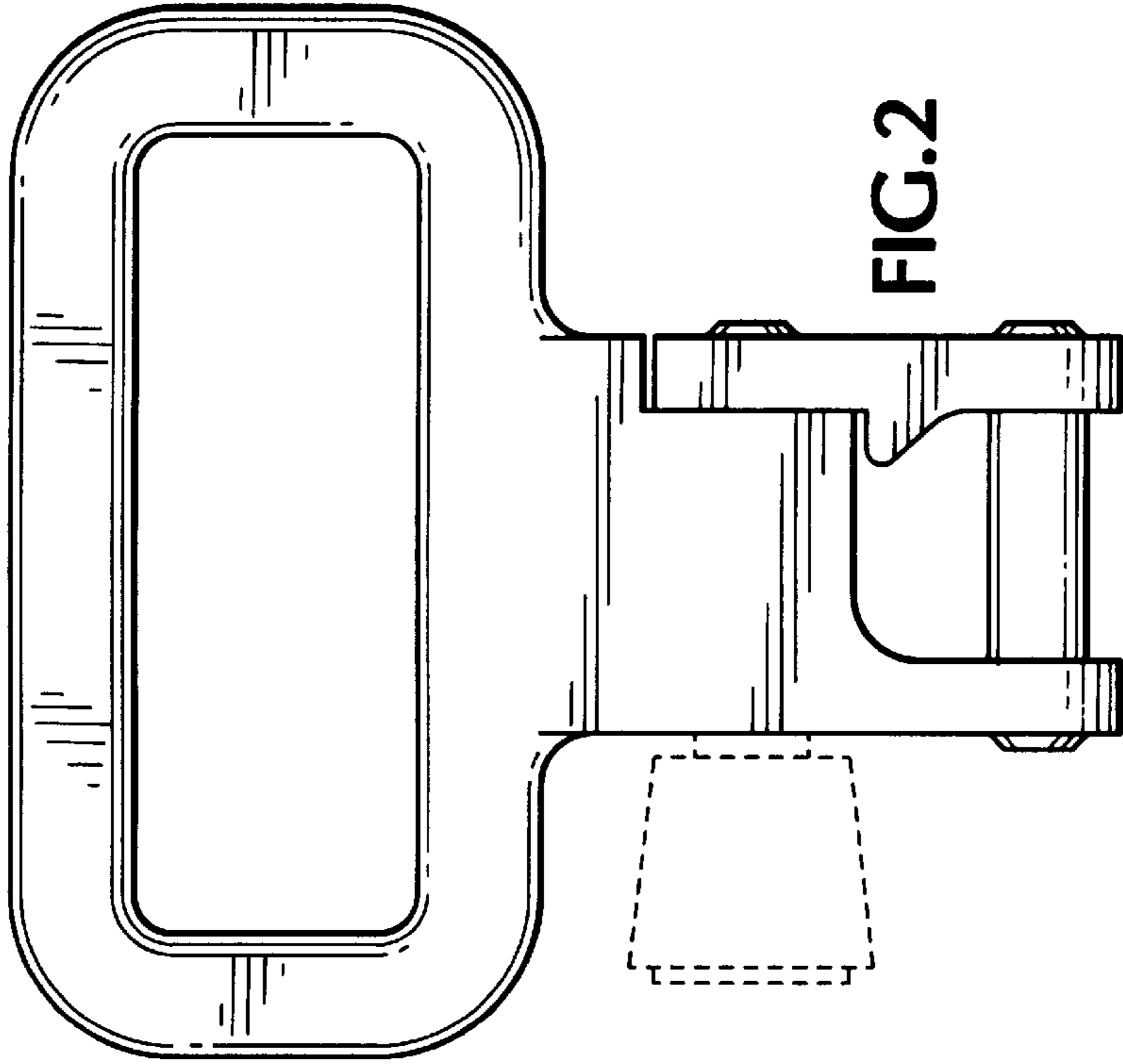
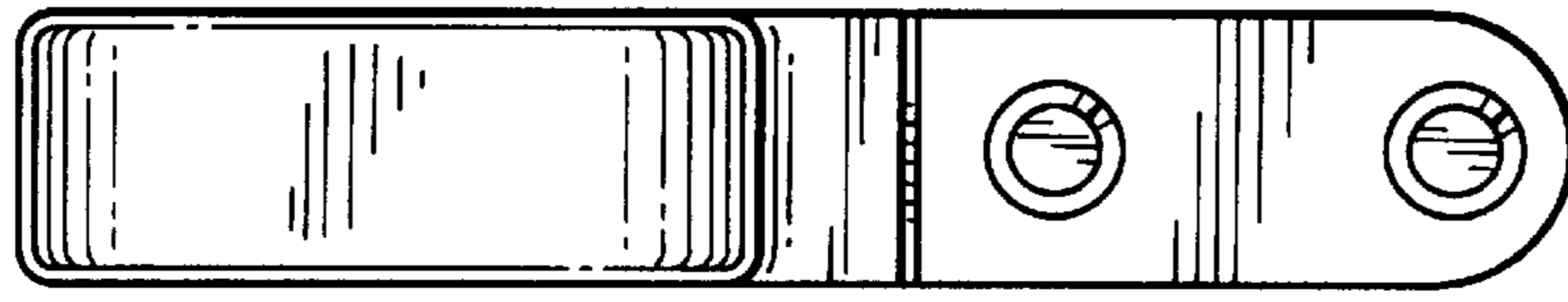
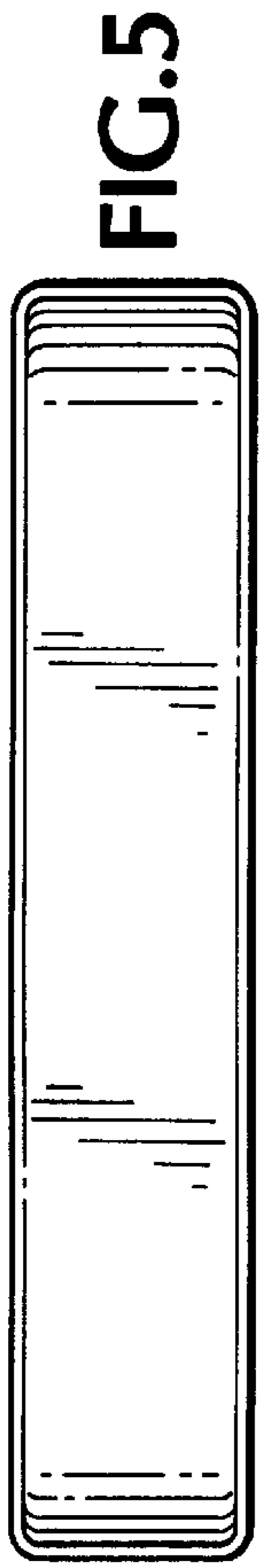


FIG. 4