



US00D444200S

(12) **United States Design Patent**
Chandler

(10) **Patent No.: US D444,200 S**

(45) **Date of Patent: ** Jun. 26, 2001**

(54) **SHOWER-TYPE BASKETBALL GAME**

(76) Inventor: **Cicero Chandler**, P.O. Box 5774,
Bossier City, LA (US) 71171

(**) Term: **14 Years**

(21) Appl. No.: **29/132,682**

(22) Filed: **Nov. 13, 2000**

(51) **LOC (7) Cl. 21-03**

(52) **U.S. Cl. D21/814**

(58) **Field of Search D21/811, 814,**
D21/781; 482/35, 36; 472/128; 273/349

5,064,195 11/1991 McMahan et al. .

5,087,054 2/1992 O'Neil .

5,120,053 6/1992 Head et al. .

5,192,080 3/1993 Duncan .

5,263,714 11/1993 Rudell et al. .

5,316,290 5/1994 Parr et al. .

5,390,913 2/1995 Kepler .

5,462,284 10/1995 Felsenthal .

5,482,292 1/1996 Stone .

5,634,642 6/1997 Grandolfo .

5,820,472 * 10/1998 Briggs 472/128

5,855,372 1/1999 Thiemann .

5,992,853 11/1999 Rudell et al. .

6,089,570 7/2000 Gruber .

6,102,404 8/2000 Barker .

(56) **References Cited**

U.S. PATENT DOCUMENTS

D. 406,871 * 3/1999 Briggs D21/811

D. 421,086 * 2/2000 Mollard D21/811

2,127,276 8/1938 Tratsch .

2,148,438 2/1939 Crain et al. .

2,759,731 8/1956 Quinn .

2,869,874 1/1959 Berdner .

3,201,126 8/1965 Nissen .

3,262,704 7/1966 Abraham et al. .

3,388,909 6/1968 Woods .

3,582,078 6/1971 Katras .

3,843,127 10/1974 Lack .

3,971,562 7/1976 Peterson .

3,980,304 9/1976 O'Neill et al. .

4,040,622 8/1977 Sinnott .

4,093,228 6/1978 Pierce .

4,165,073 8/1979 Kellerstrass .

4,363,483 12/1982 Minami .

4,526,366 7/1985 Kenoun .

4,546,973 10/1985 Mouser .

4,702,480 10/1987 Popeski et al. .

4,715,598 12/1987 Knight .

4,813,680 3/1989 Rudell et al. .

4,956,775 9/1990 Klamer et al. .

5,011,161 4/1991 Galphin .

OTHER PUBLICATIONS

Entertainment & Leisure publication (no date).

* cited by examiner

Primary Examiner—Mitchell Siegel
(74) *Attorney, Agent, or Firm*—Alvin R. Wirthlin; Akin,
Gump, Strauss, Hauer & Feld, L.L.P.

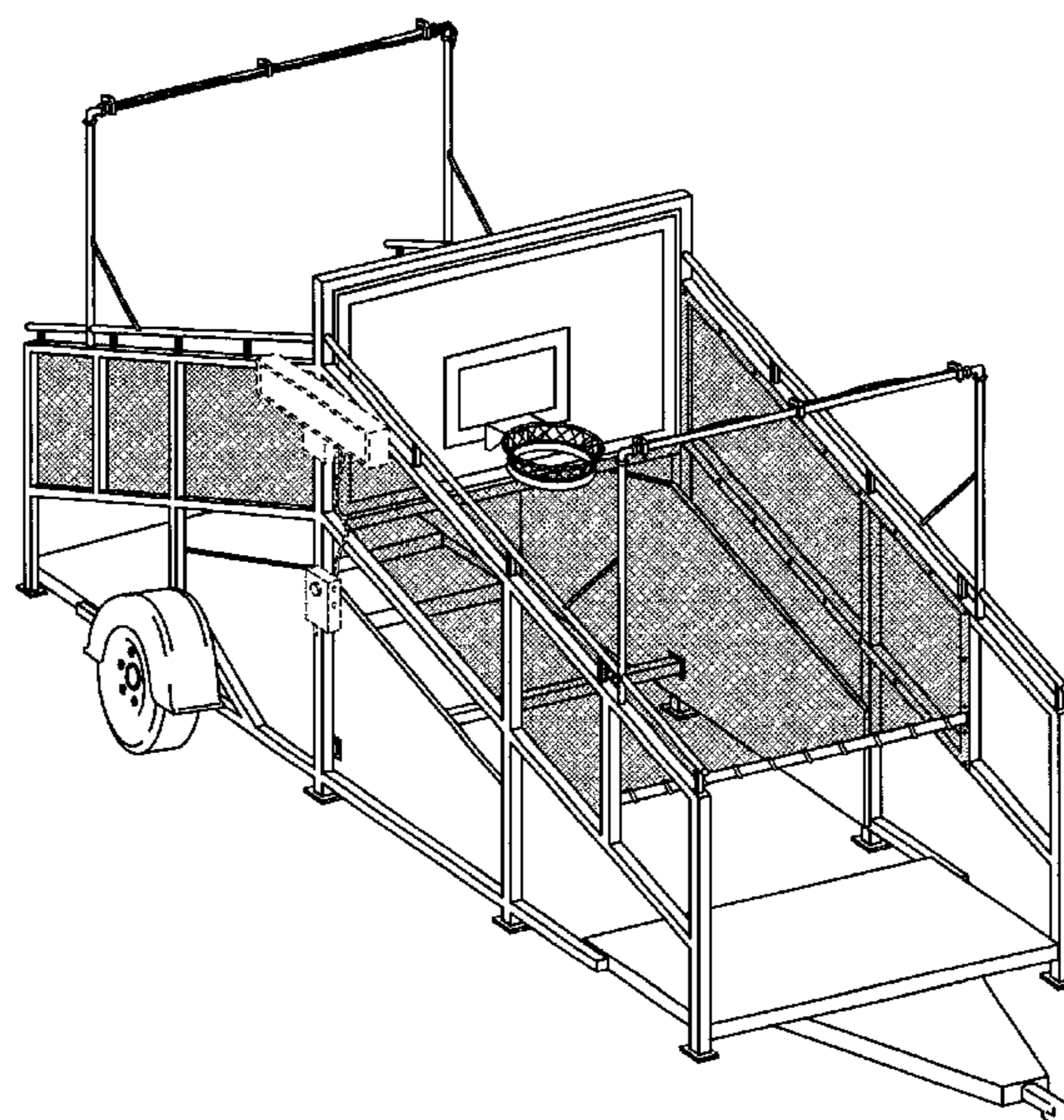
(57) **CLAIM**

The ornamental design for a shower-type basketball game,
as shown and described.

DESCRIPTION

FIG. 1 is a front perspective view of a shower-type basket-
ball game showing my new design;
FIG. 2 is a right side elevational view thereof;
FIG. 3 is a left side elevational view thereof;
FIG. 4 is a front elevational view thereof;
FIG. 5 is a rear elevational view thereof; and,
FIG. 6 is a top plan view thereof.
The items shown in dashed line are not part of the claimed
invention.

1 Claim, 5 Drawing Sheets



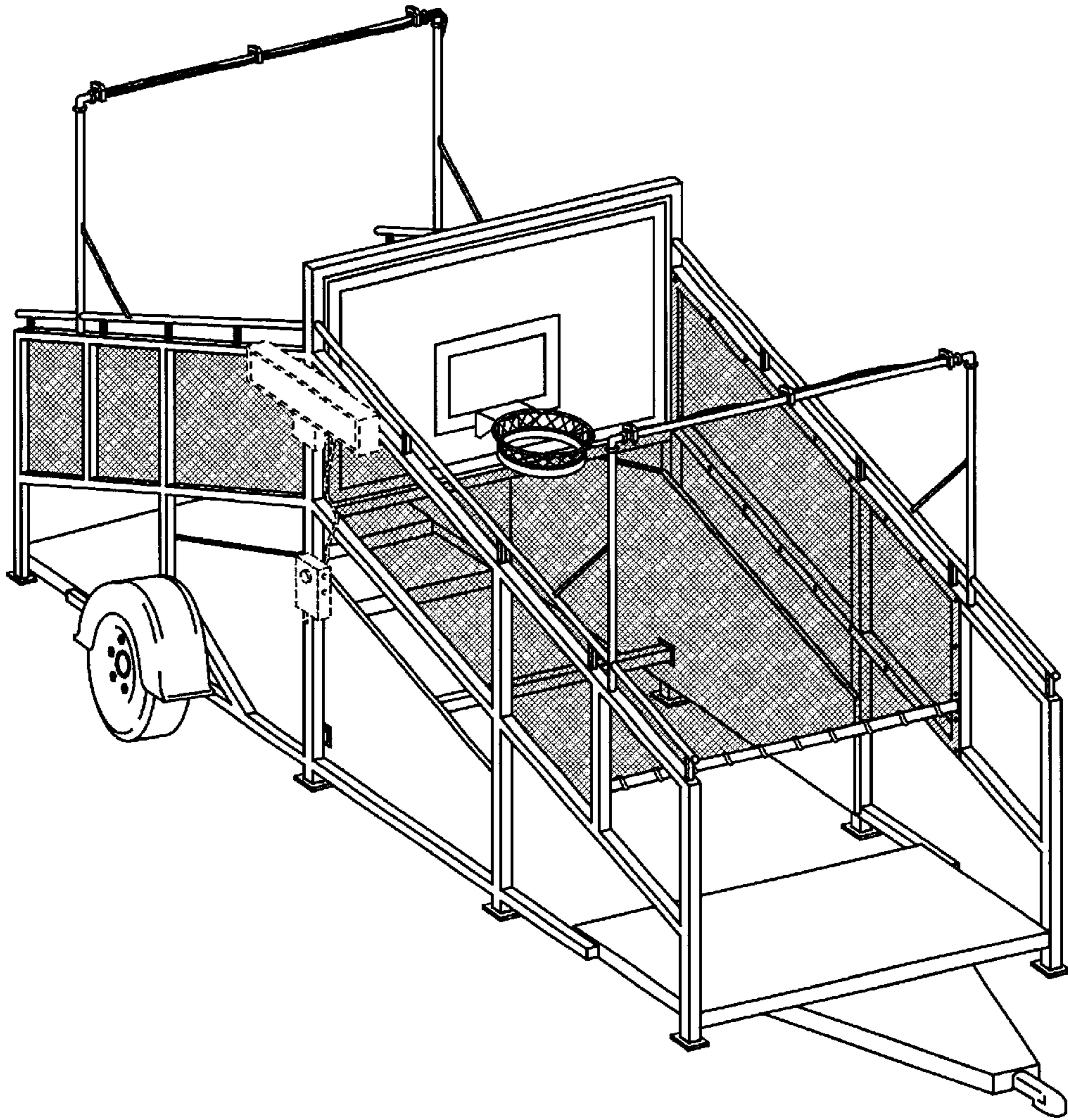


FIG. 1

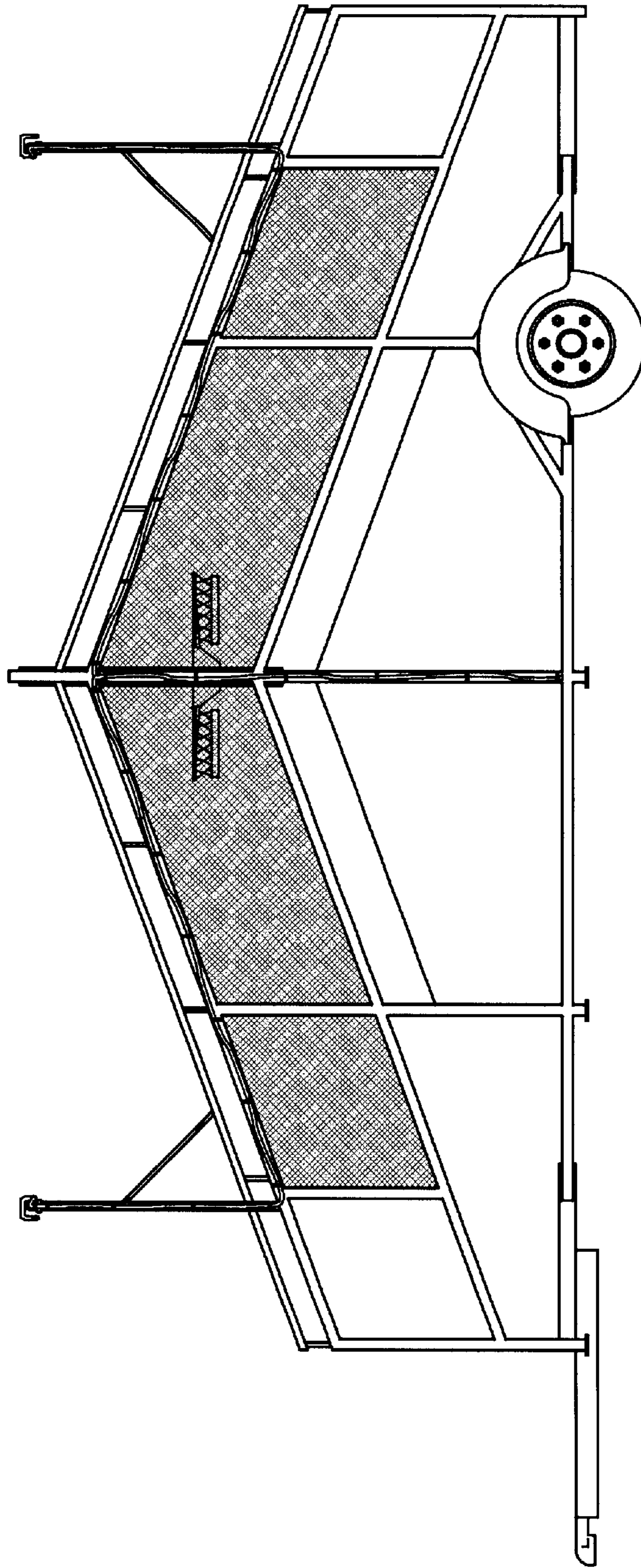


FIG. 2

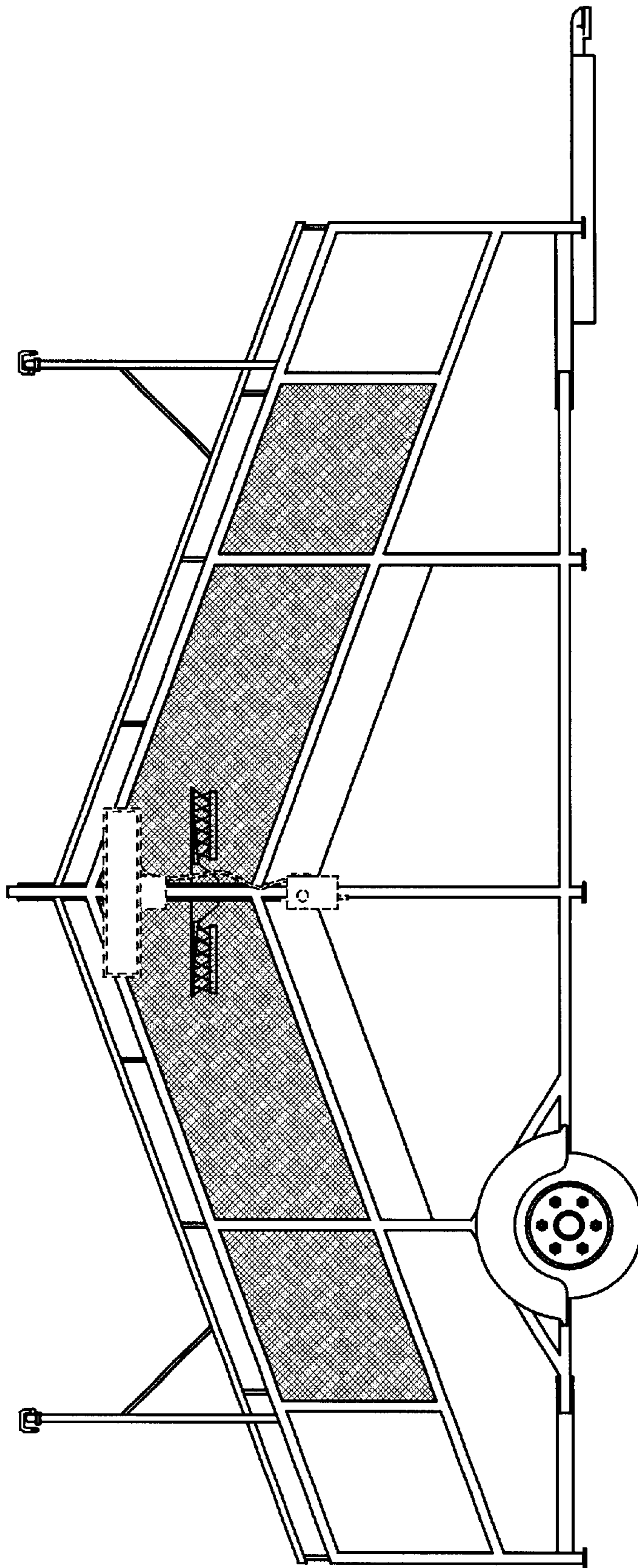


FIG. 3

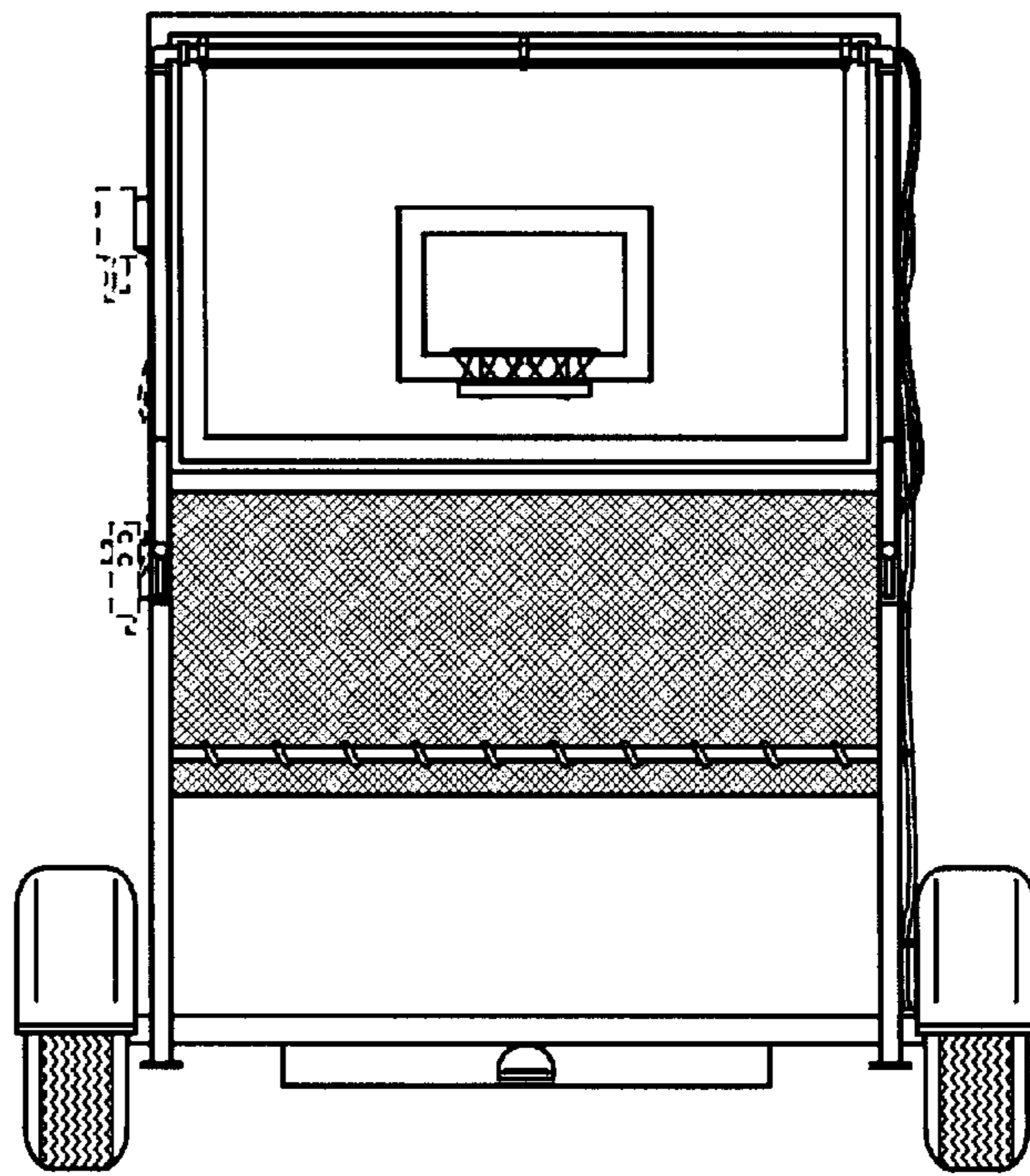


FIG. 4

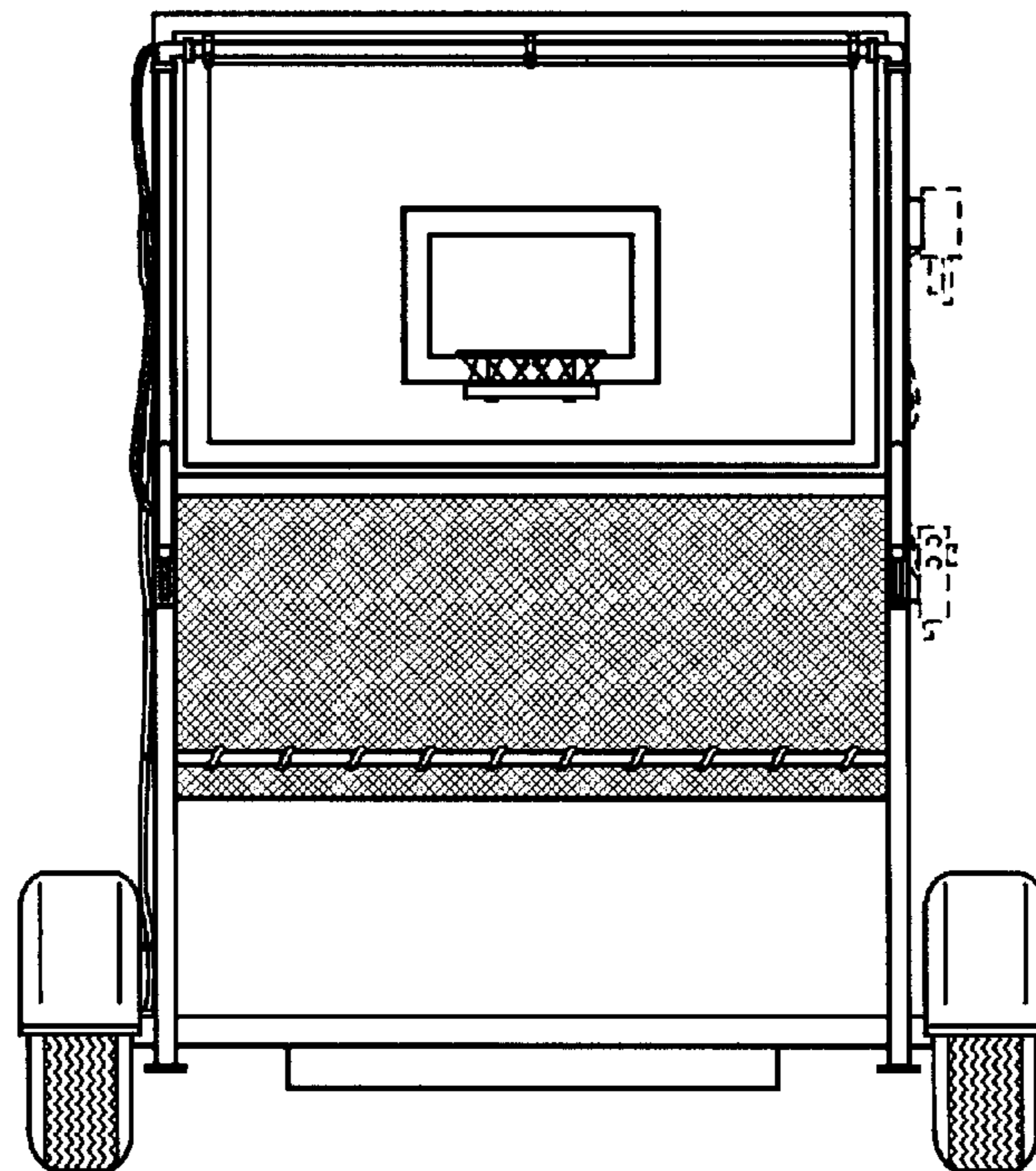


FIG. 5

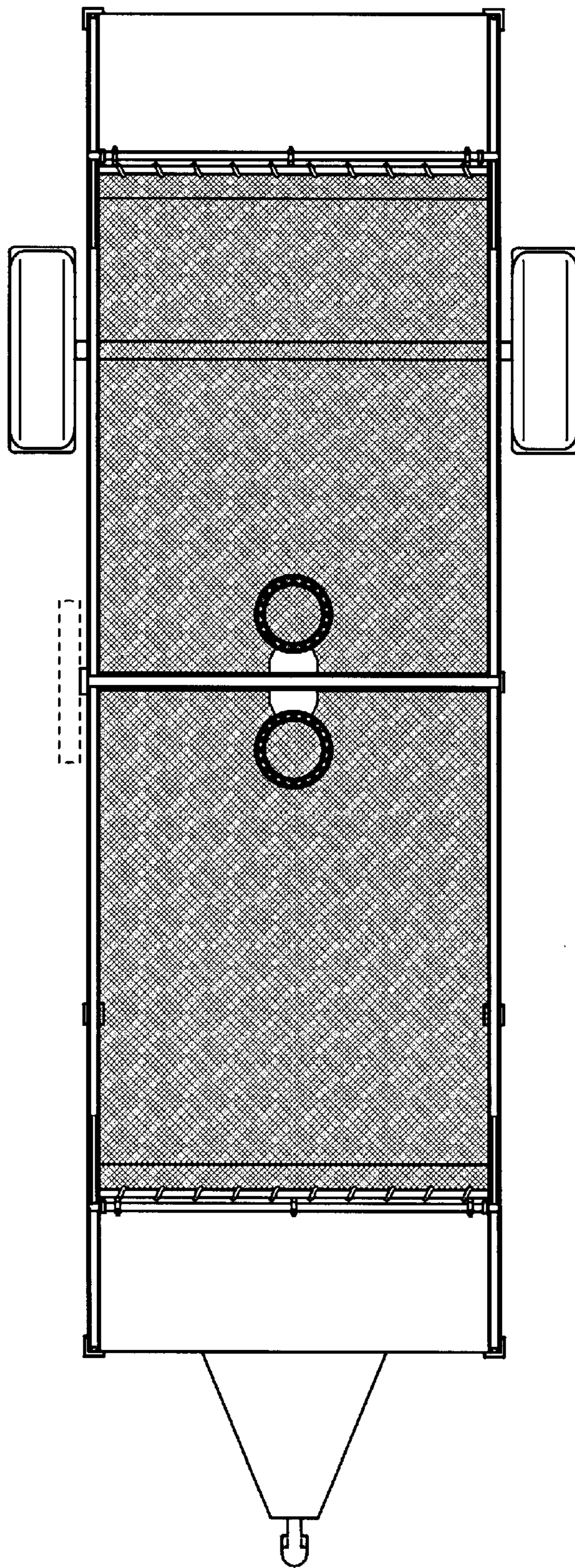


FIG. 6