



US00D444199S

(12) **United States Design Patent**
Shea

(10) **Patent No.:** **US D444,199 S**

(45) **Date of Patent:** **** Jun. 26, 2001**

(54) **GOLF CLUB CADDY**

D. 430,253 * 8/2000 Shea et al. D21/796

(75) Inventor: **Jeremiah F. Shea**, 409 Longtown Rd.
West, Blythewood, SC (US) 29016

* cited by examiner

Primary Examiner—Mitchell Siegel

(73) Assignee: **Jeremiah F. Shea**, Blythewood, SC
(US)

(57) **CLAIM**

(**) Term: **14 Years**

The ornamental design for a golf club caddy, substantially as shown and described.

(21) Appl. No.: **29/131,106**

DESCRIPTION

(22) Filed: **Oct. 16, 2000**

FIG. 1 is a front view illustrating a golf club caddy showing my new design;

(51) **LOC (7) Cl.** **21-02**

FIG. 2 is a rear view thereof;

(52) **U.S. Cl.** **D21/796**

FIG. 3 is a left side view thereof;

(58) **Field of Search** D21/789, 796;
473/282, 287; D6/417; 206/315.2, 315.7

FIG. 4 is a right side view thereof;

FIG. 5 is a direct top view thereof; and,

FIG. 6 is a direct bottom view thereof.

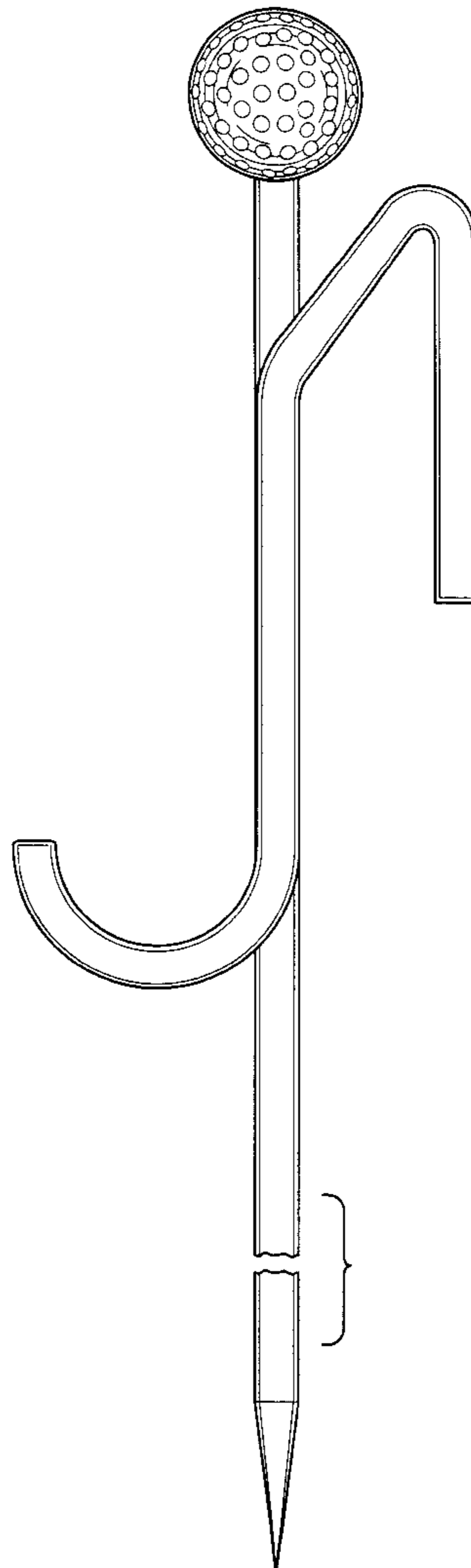
(56) **References Cited**

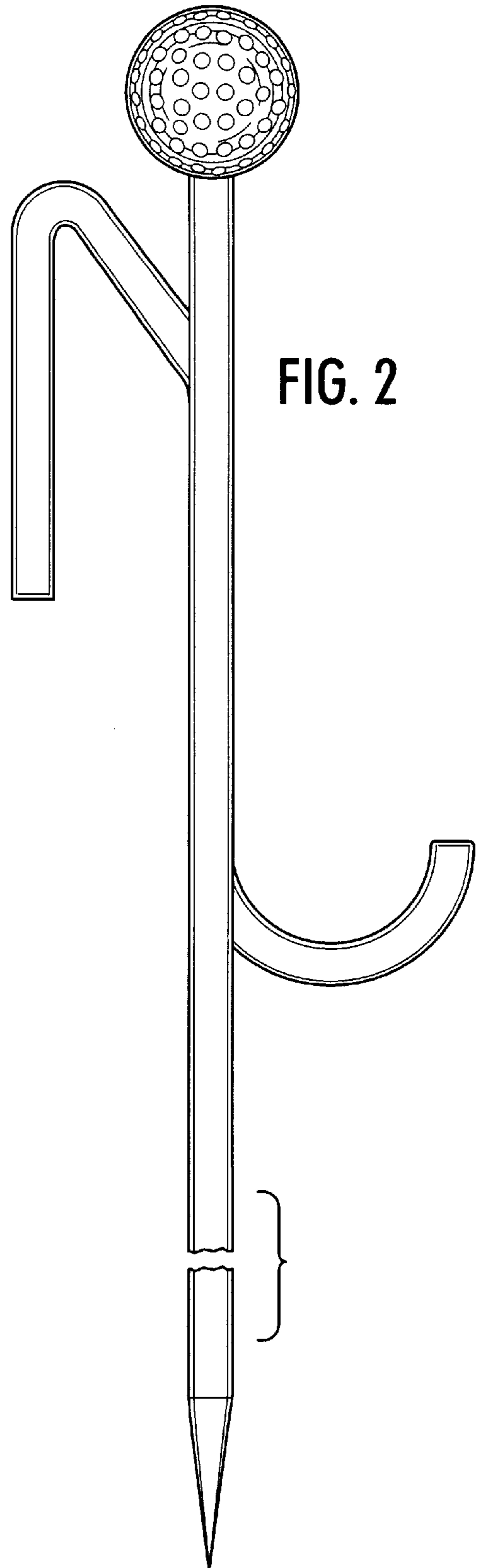
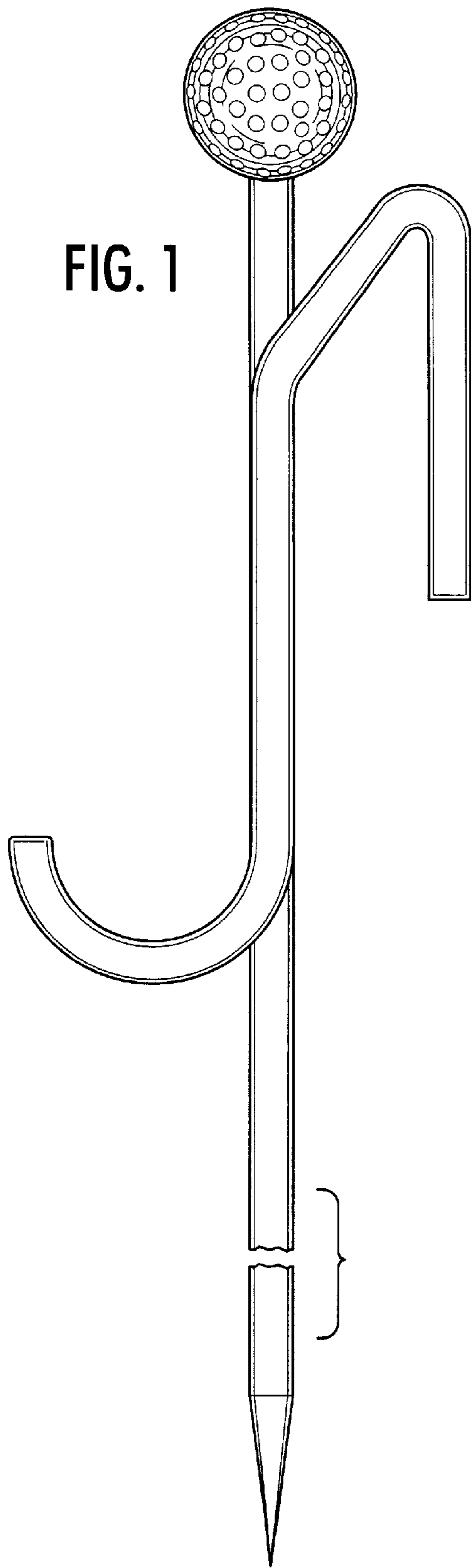
The broken-away section on the drawings is do to the interminate length of the shaft.

U.S. PATENT DOCUMENTS

D. 407,774 * 4/1999 Weiss D21/796

1 Claim, 3 Drawing Sheets





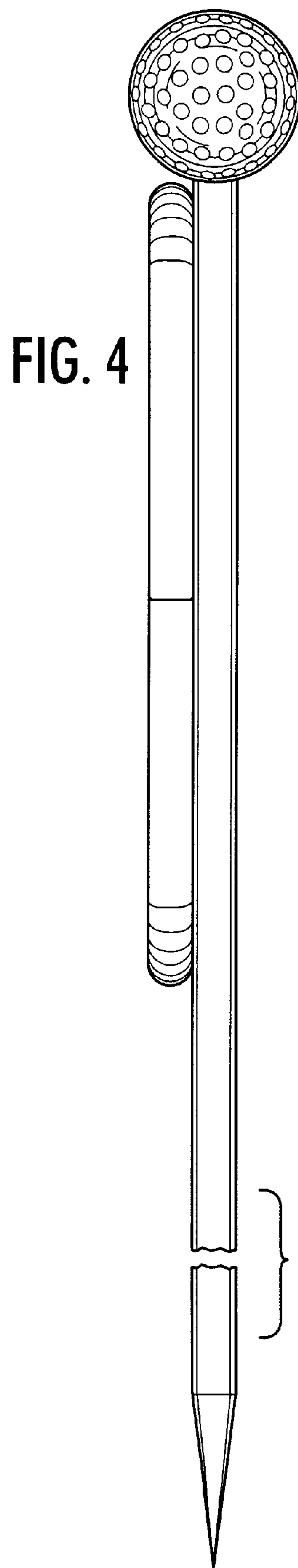
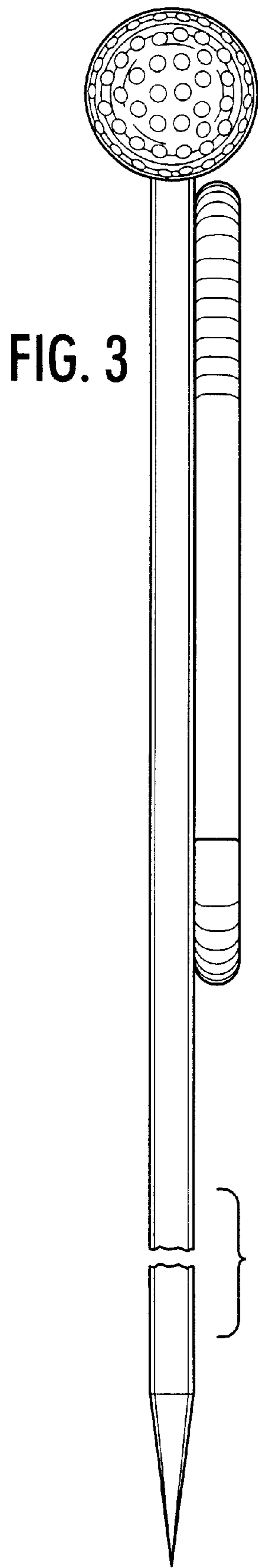


FIG. 5

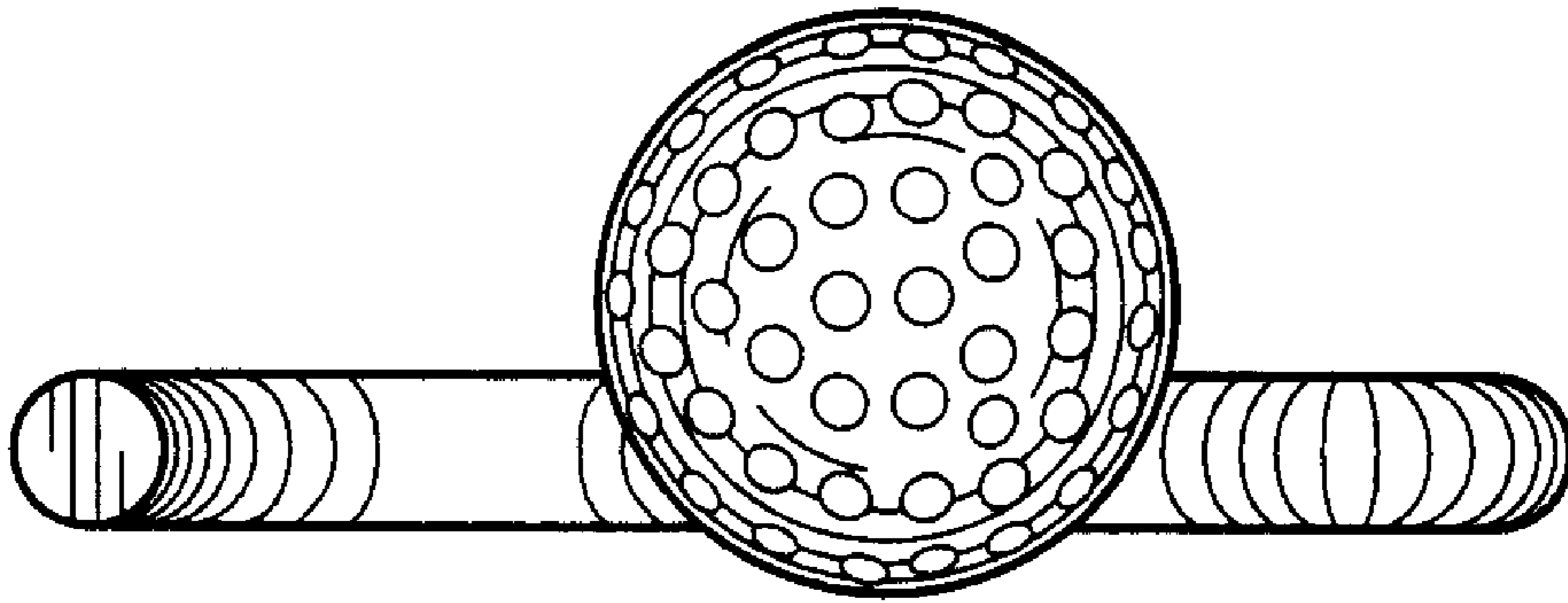


FIG. 6

