



US00D444192S

(12) **United States Design Patent**
Frizelle

(10) **Patent No.:** **US D444,192 S**

(45) **Date of Patent:** **** Jun. 26, 2001**

(54) **BALL RETRIEVING ATTACHMENT**

4,993,712 * 2/1991 Urwin 473/517

(76) Inventor: **Gene Frizelle**, 23891 Villena, Mission Viejo, CA (US) 92692

* cited by examiner

Primary Examiner—Dominic Simone
(74) *Attorney, Agent, or Firm*—Goldstein Law Offices P.C.

(**) Term: **14 Years**

(57) **CLAIM**

(21) Appl. No.: **29/128,564**

The ornamental design for a ball retrieving attachment, as shown and described.

(22) Filed: **Aug. 28, 2000**

(51) **LOC (7) Cl.** **21-02**

(52) **U.S. Cl.** **D21/721**

(58) **Field of Search** D21/721, 753,
D21/799; 473/517

DESCRIPTION

FIG. 1 is a perspective view of a ball retrieving attachment in full lines with a tennis racket handle shown in broken lines representing environmental association matter being for illustrative purposes only and forming no part of the claimed invention.

FIG. 2 is a front elevational view of the ball retrieving attachment.

FIG. 3 is a rear elevational view thereof.

FIG. 4 is a top plan view thereof.

FIG. 5 is a bottom plan view thereof; and,

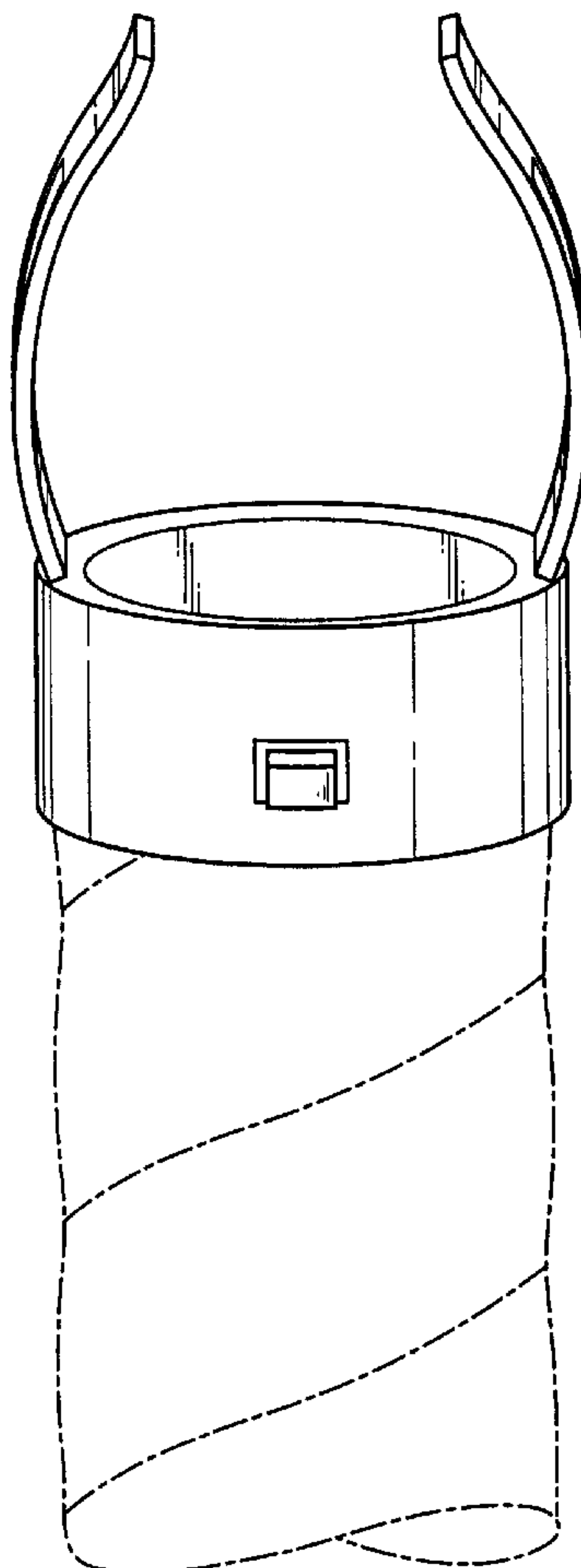
FIG. 6 is a right side elevational view thereof, the left side elevational view being a mirror image of the right side view.

(56) **References Cited**

U.S. PATENT DOCUMENTS

- D. 196,925 * 11/1963 Strichland D21/721
- D. 239,639 * 4/1976 Clarke D21/721
- 266,598 * 10/1882 Alexander 473/517
- D. 380,025 * 6/1997 Digerness et al. D21/721
- D. 380,026 * 6/1997 Frankel D21/721
- 3,462,184 * 8/1969 Russell 473/517 X

1 Claim, 2 Drawing Sheets



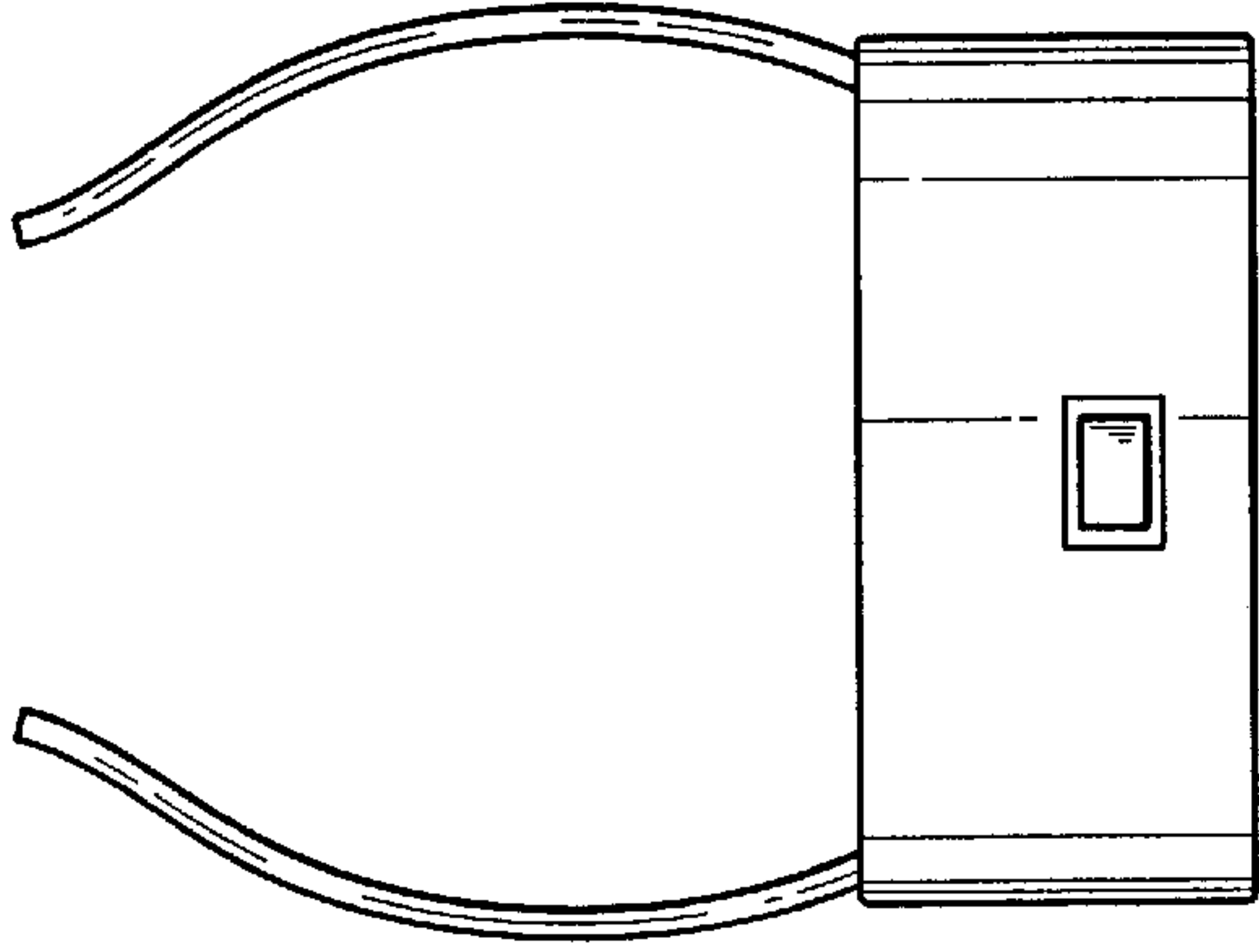


Fig. 2

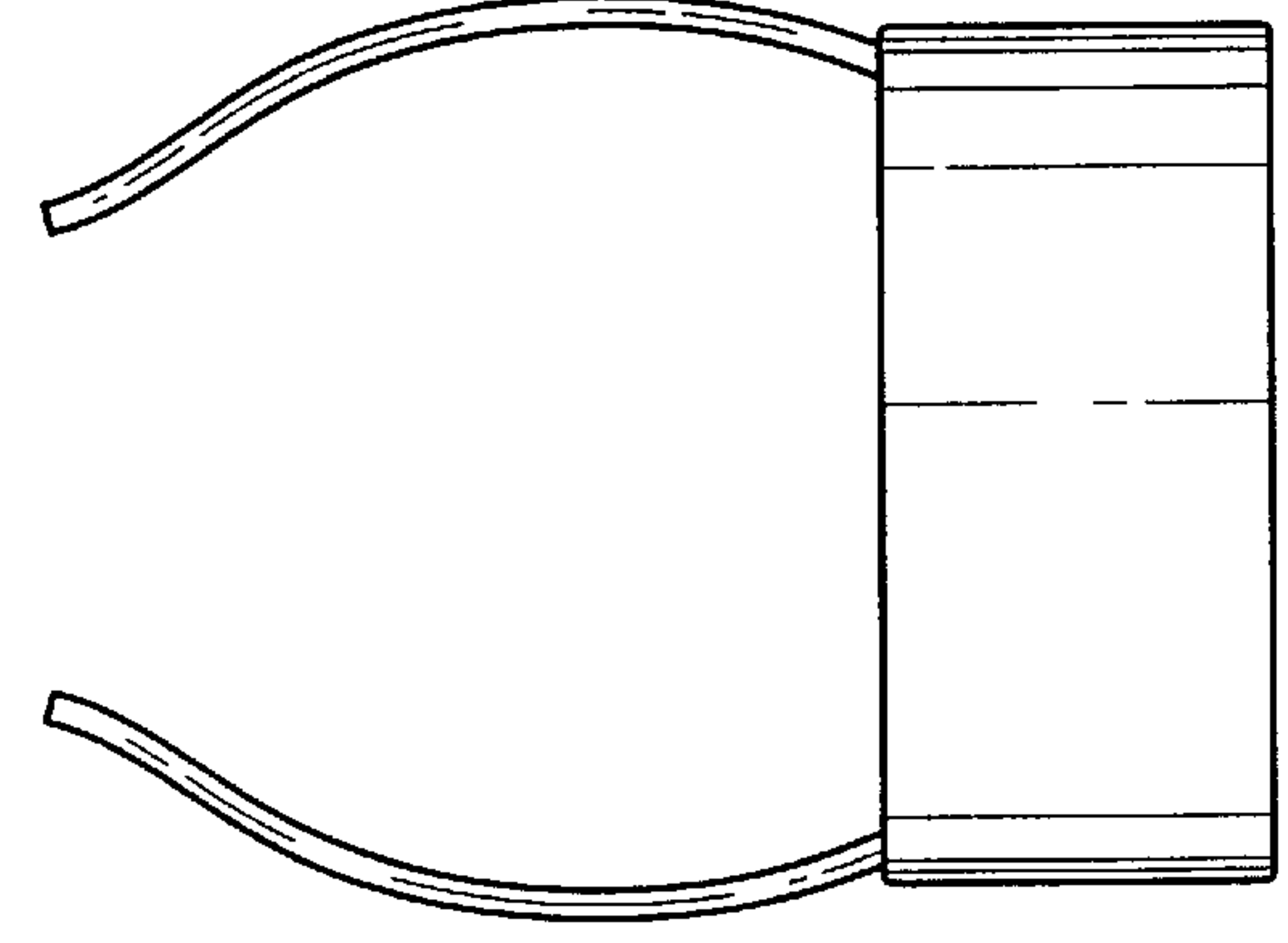


Fig. 3

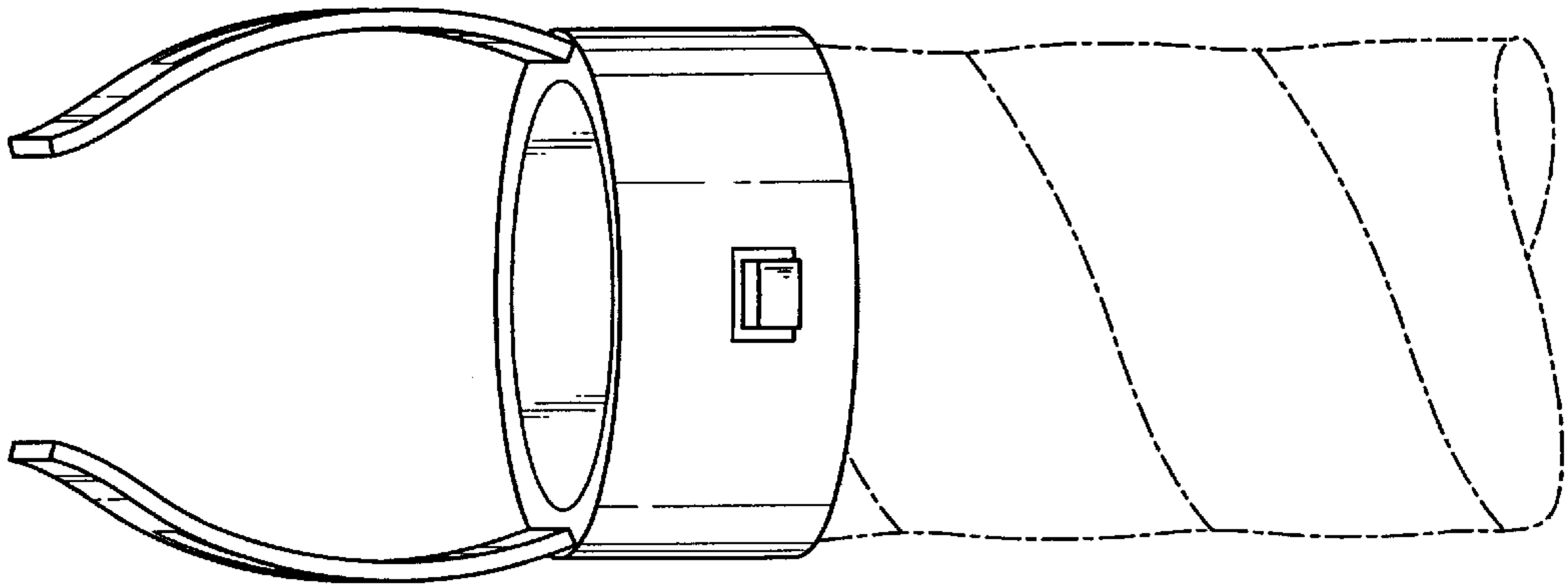


Fig. 1

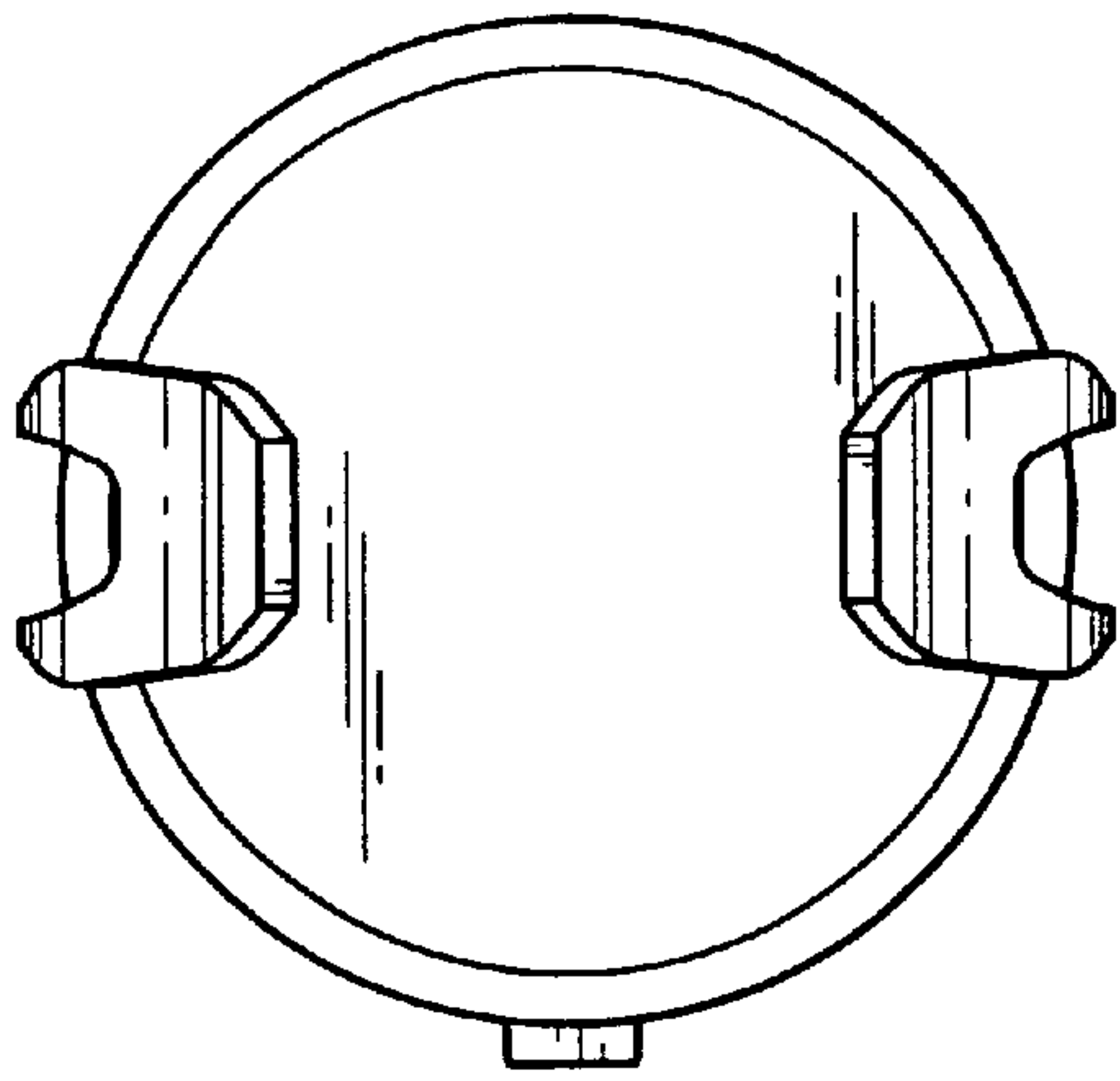


Fig. 4

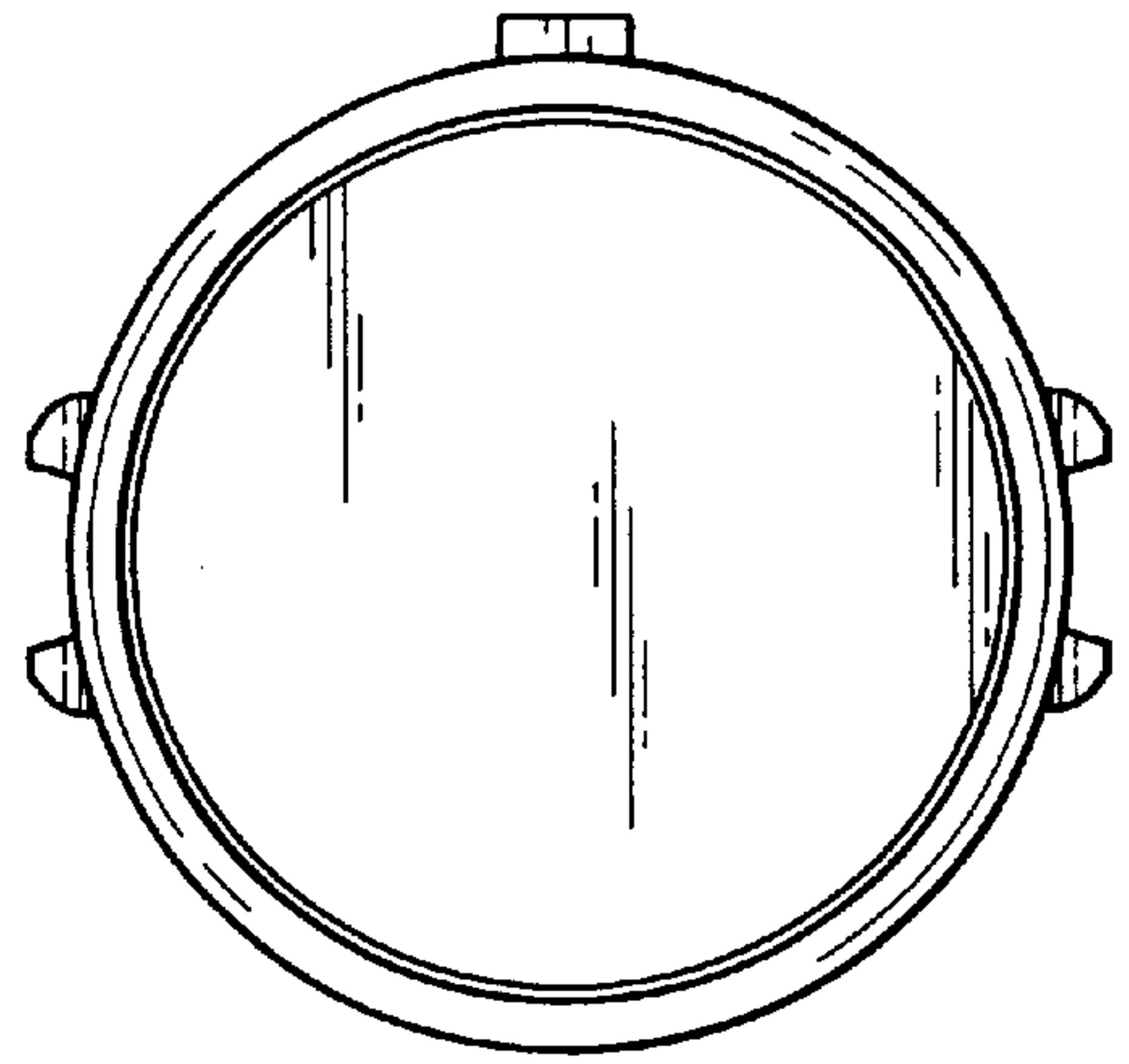


Fig. 5

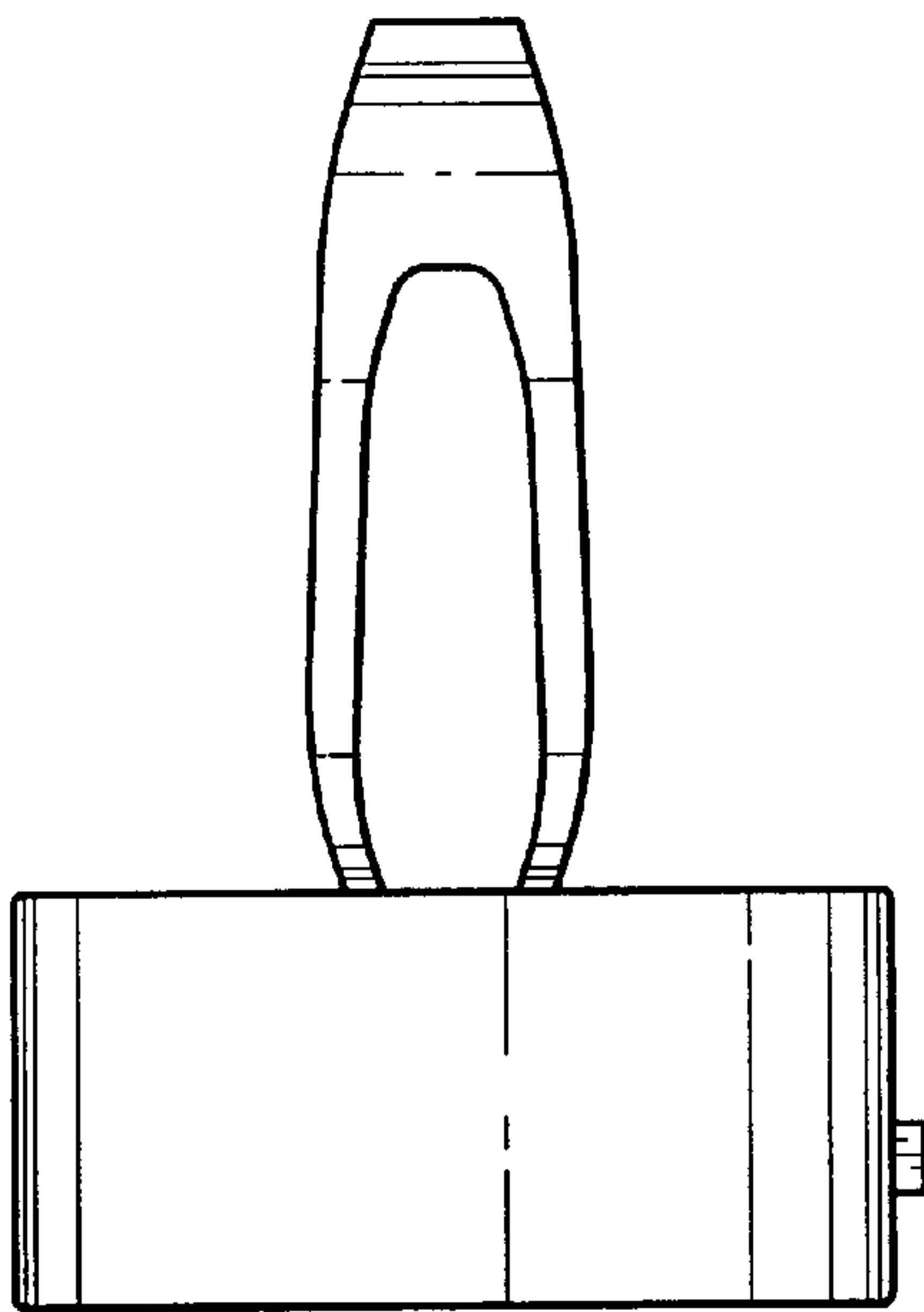


Fig. 6