



US00D444190S

(12) **United States Design Patent**
Webber

(10) **Patent No.:** **US D444,190 S**

(45) **Date of Patent:** **** Jun. 26, 2001**

(54) **MULTI-FUNCTION EXERCISE MACHINE**

(76) Inventor: **Randall T. Webber**, 100 Harbor Dr.
#1404, San Diego, CA (US) 92101

(**) Term: **14 Years**

(21) Appl. No.: **29/127,685**

(22) Filed: **Aug. 9, 2000**

(51) **LOC (7) Cl.** **21-02**

(52) **U.S. Cl.** **D21/675; D21/676**

(58) **Field of Search** D21/673, 674,
D21/675, 676; 482/92, 93, 94, 95, 96, 97,
138

(56) **References Cited**

U.S. PATENT DOCUMENTS

D. 263,978	*	4/1982	Brentham	D21/676
D. 296,709	*	7/1988	Gvoich et al.	D21/675
D. 306,053	*	2/1990	Beistegui	D21/675
D. 330,238	*	10/1992	Desiderio	D21/675
D. 358,183	*	5/1995	Habing et al.	D21/575
D. 359,326	*	6/1995	Deola	D21/675
D. 370,040	*	5/1996	Habing et al.	D21/675
D. 370,950		6/1996	Webber	D21/675
5,674,167	*	10/1997	Piaget et al.	482/130
5,916,072	*	6/1999	Webber	482/100
5,938,574	*	8/1999	Webber	482/134
5,961,427	*	10/1999	Habing et al.	482/96

OTHER PUBLICATIONS

On-Line 1200.
On-Line 1270/1200 Vectra, APECS Series.
Home Gyms 225, Parabody, Inc.
Pacific Fitness Exercise Machine.
Hoist H-310 Exercise Machine.

* cited by examiner

Primary Examiner—Philip S. Hyder

(74) *Attorney, Agent, or Firm*—Brown, Martin, Haller & McClain LLP

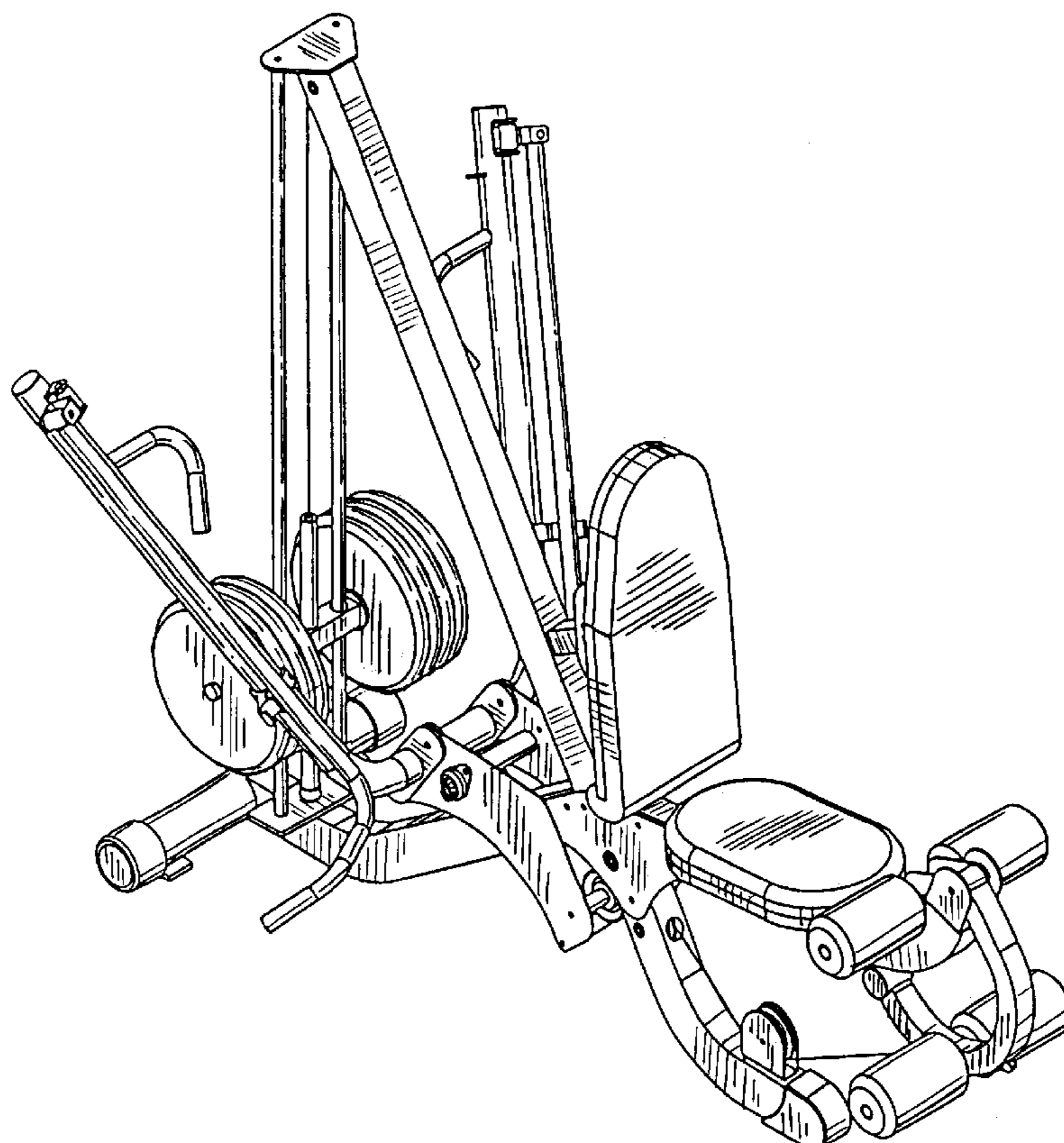
(57) **CLAIM**

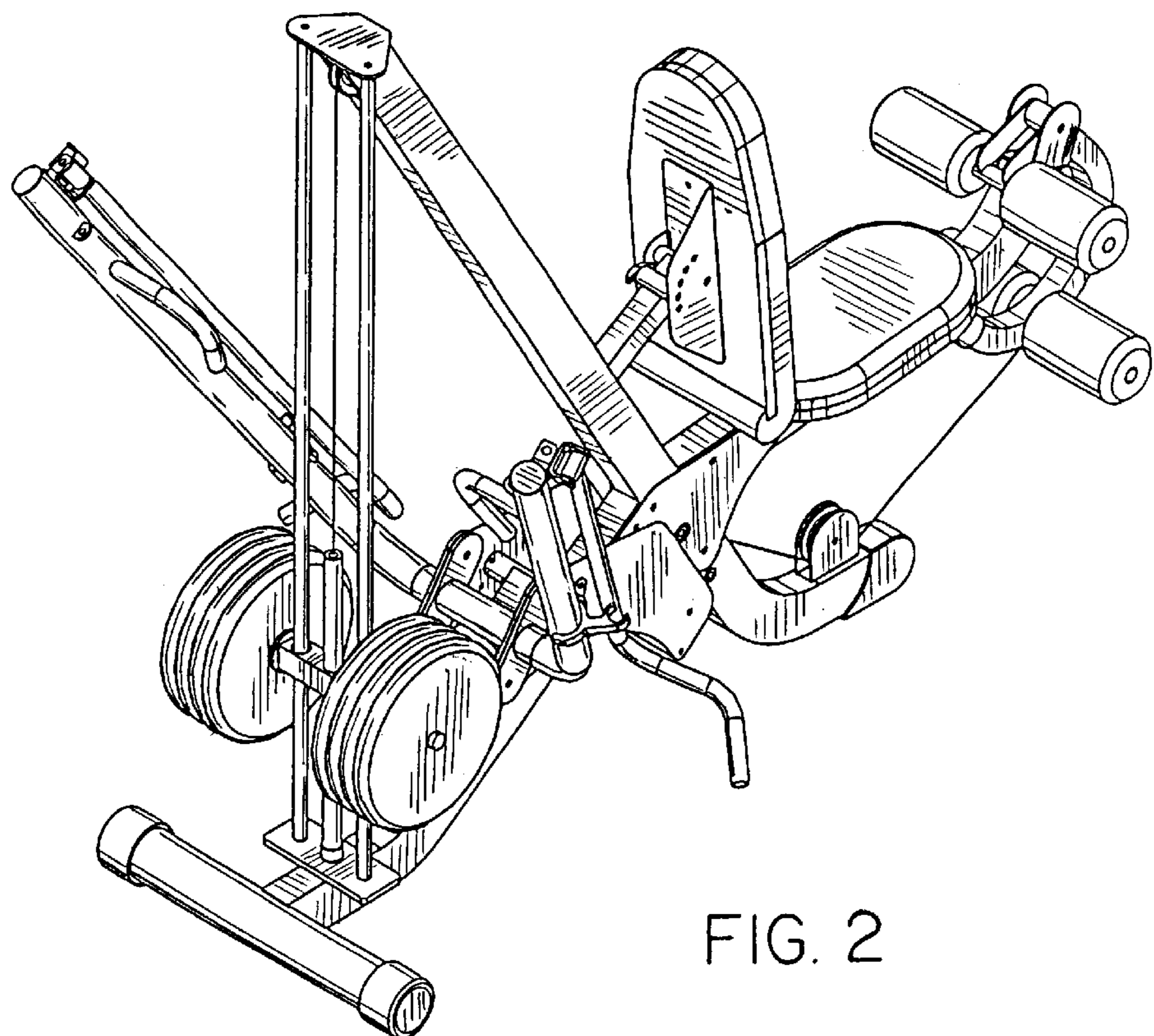
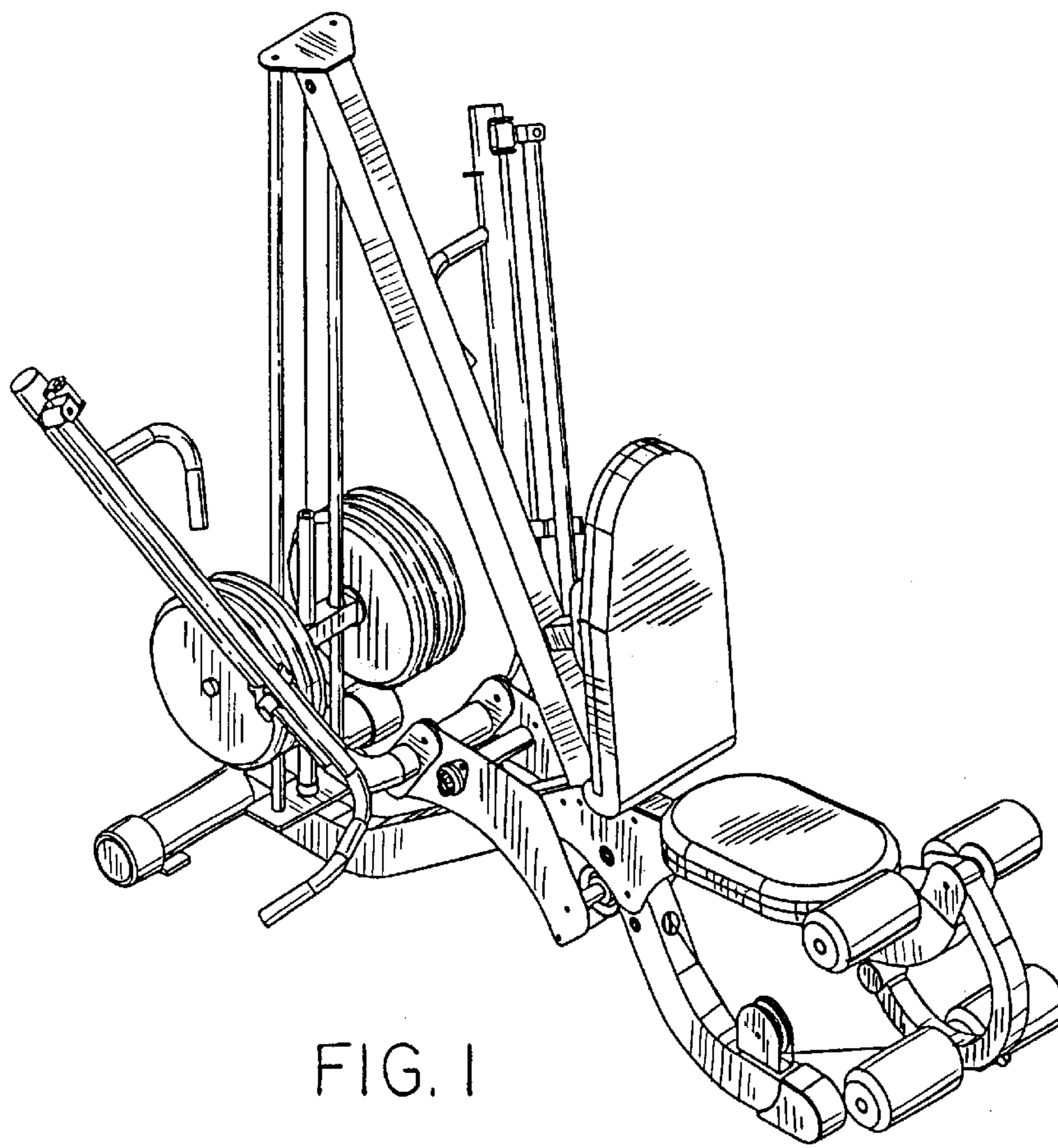
The ornamental design for a multi-function exercise machine, as shown.

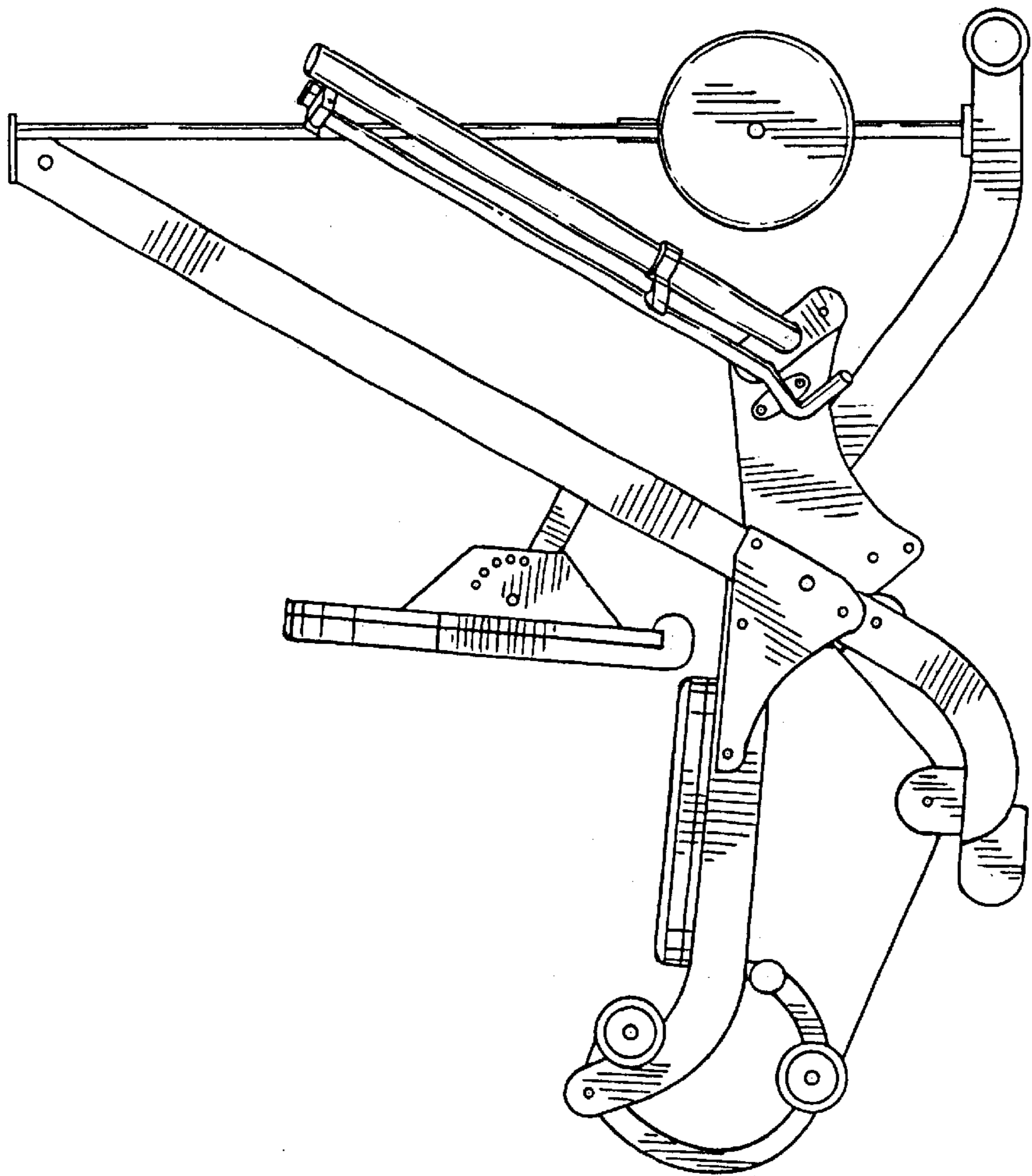
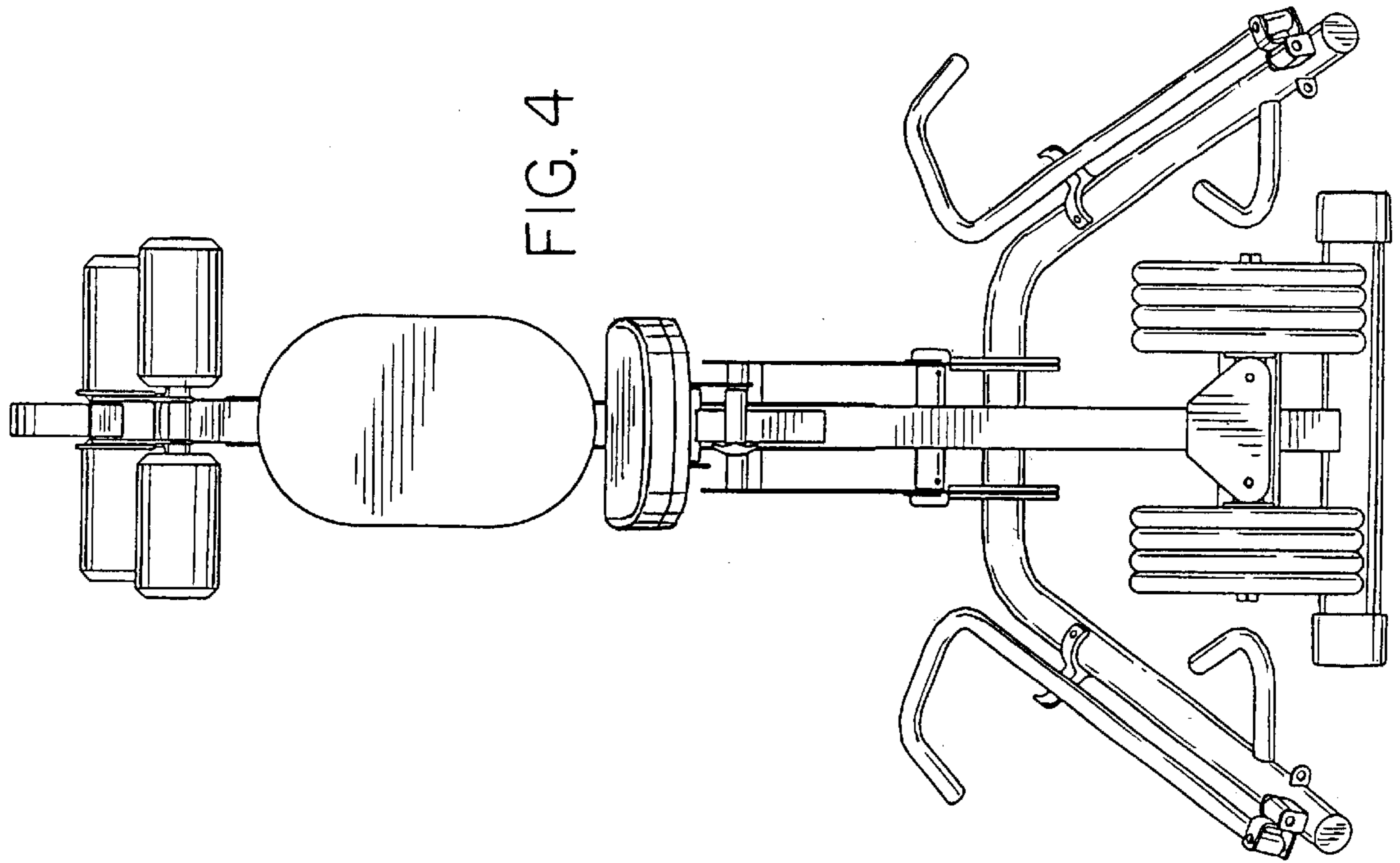
DESCRIPTION

FIG. 1 is a right front perspective view of a multi-function exercise machine showing my new design;
FIG. 2 is a right rear perspective view thereof;
FIG. 3 is a left side elevational view thereof;
FIG. 4 is a top plan view thereof;
FIG. 5 is a front view thereof;
FIG. 6 is a rear view thereof;
FIG. 7 is a right front perspective view of a modified embodiment thereof; and,
FIG. 8 is a right rear perspective view of the embodiment of FIG. 7 of a multi-function exercise machine.

1 Claim, 4 Drawing Sheets







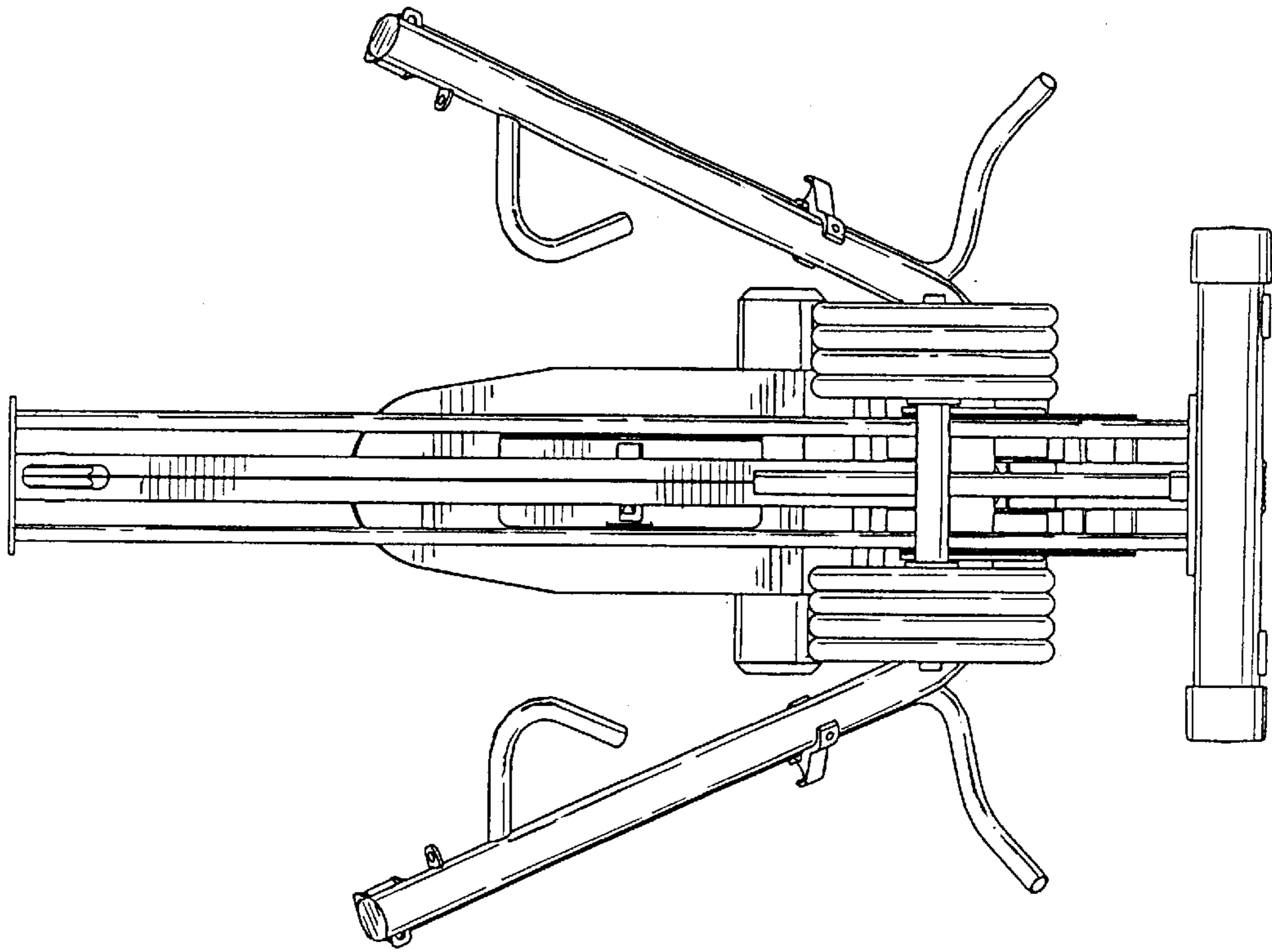


FIG. 6

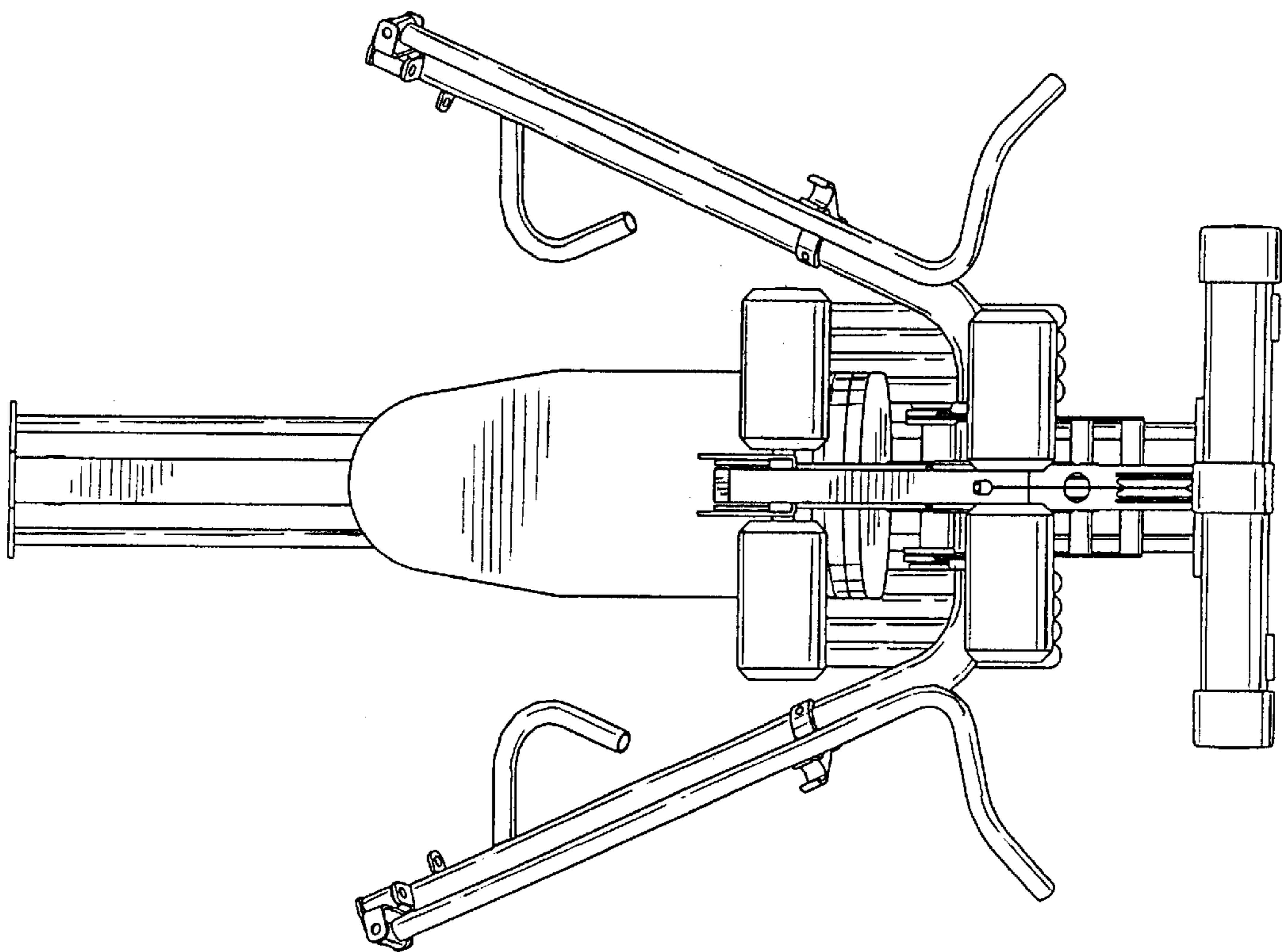


FIG. 5

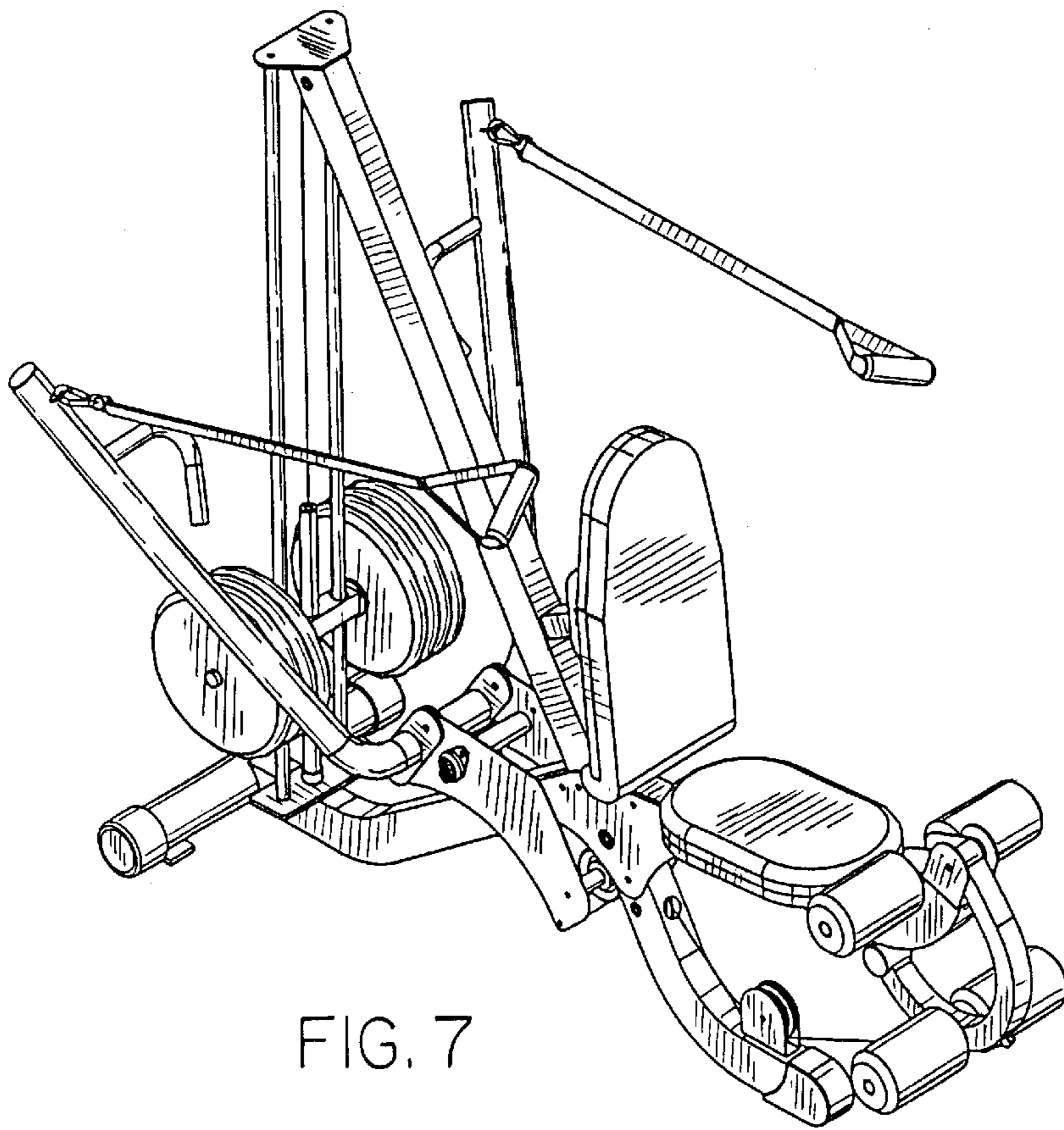


FIG. 7

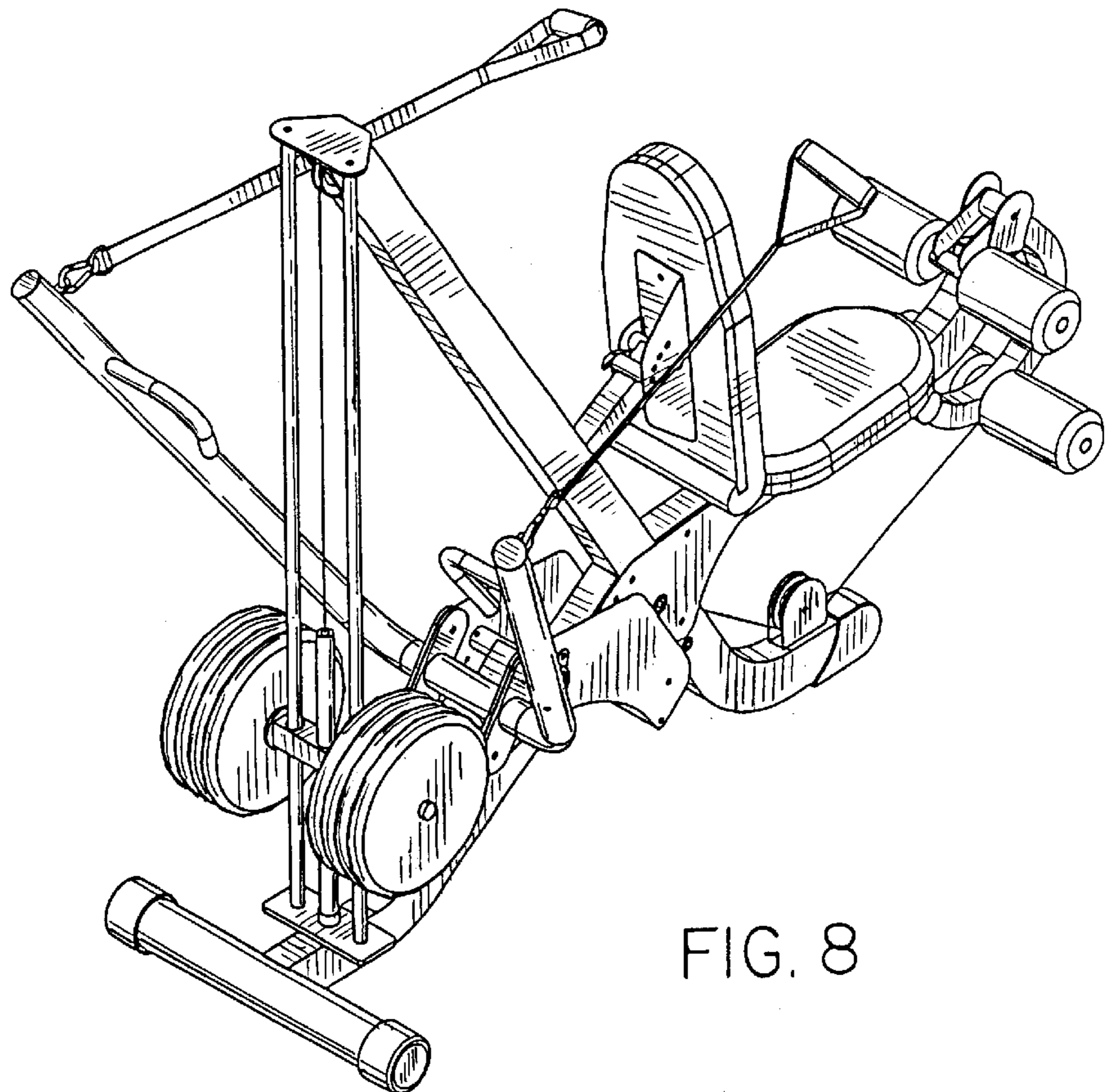


FIG. 8