



US00D444187S

(12) **United States Design Patent**
Mankowski

(10) **Patent No.:** **US D444,187 S**

(45) **Date of Patent:** **** Jun. 26, 2001**

(54) **MAGNETIC TOY CAR**

(76) Inventor: **Larry R. Mankowski**, 12793 Gardner Rd., Buchanan, MI (US) 49107-9344

(**) Term: **14 Years**

(21) Appl. No.: **29/132,241**

(22) Filed: **Nov. 6, 2000**

(51) **LOC (7) Cl.** **21-01**

(52) **U.S. Cl.** **D21/548**

(58) **Field of Search** D21/533, 548-551,
D21/580, 424, 433; D12/400, 183; D8/373,
382; D19/90-91, 86; 446/465, 470, 471,
487, 129; 248/467; 335/293

(56) **References Cited**

U.S. PATENT DOCUMENTS

D. 250,908	*	1/1979	Appel	D21/548
D. 324,216	*	2/1992	Gobindram	D21/548
D. 366,296	*	1/1996	Novak	D21/548
D. 381,256	*	7/1997	Garner	D8/373
D. 402,997	*	12/1998	Campbell et al.	D21/548
D. 408,456	*	4/1999	Garner	D19/90
D. 415,800	*	10/1999	Norton	D21/549

* cited by examiner

Primary Examiner—Raphael Barkai

(74) *Attorney, Agent, or Firm*—Taylor & Aust, P.C.

(57) **CLAIM**

The ornamental design for a magnetic toy car, as shown and described.

DESCRIPTION

FIG. 1 is a perspective view of a magnetic toy car showing my new design, including two car halves separably joined together on opposite sides of a platen, such as a windshield, by magnetic force, the platen forming no part of the claimed invention;

FIG. 2 is a side view thereof;

FIG. 3 is an opposite side view thereof;

FIG. 4 is a top view thereof;

FIG. 5 is a bottom view thereof;

FIG. 6 is a front view thereof;

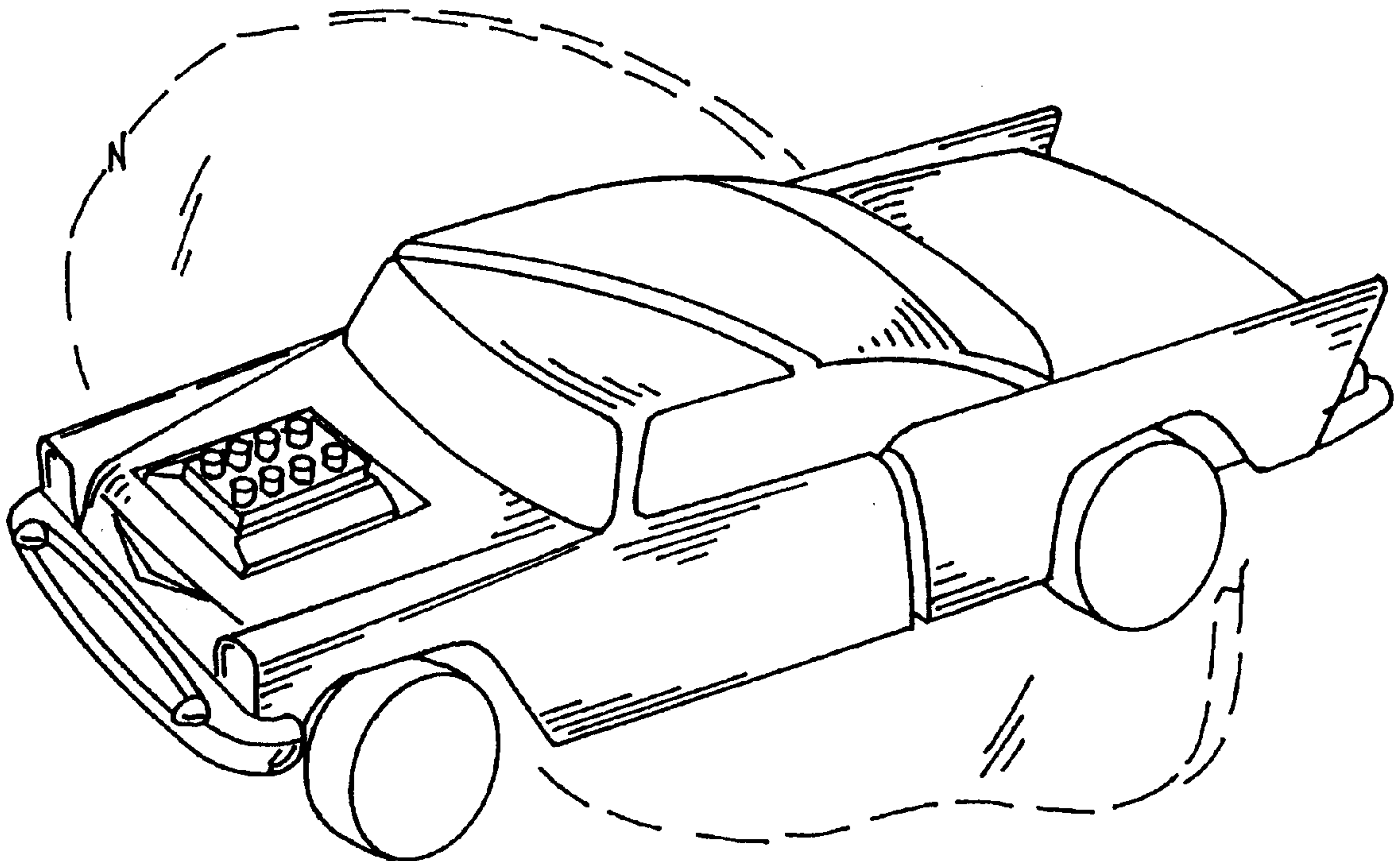
FIG. 7 is a rear view thereof;

FIG. 8 is another perspective view thereof, showing a pair of earth magnets mounted in and carried by respective halves of the car; and,

FIG. 9 is another top view thereof, showing the relative position of the magnets illustrated in FIG. 8.

The broken lines shown in FIGS. 1-9 are for illustrative purposes only and form no part of the claimed design.

1 Claim, 3 Drawing Sheets



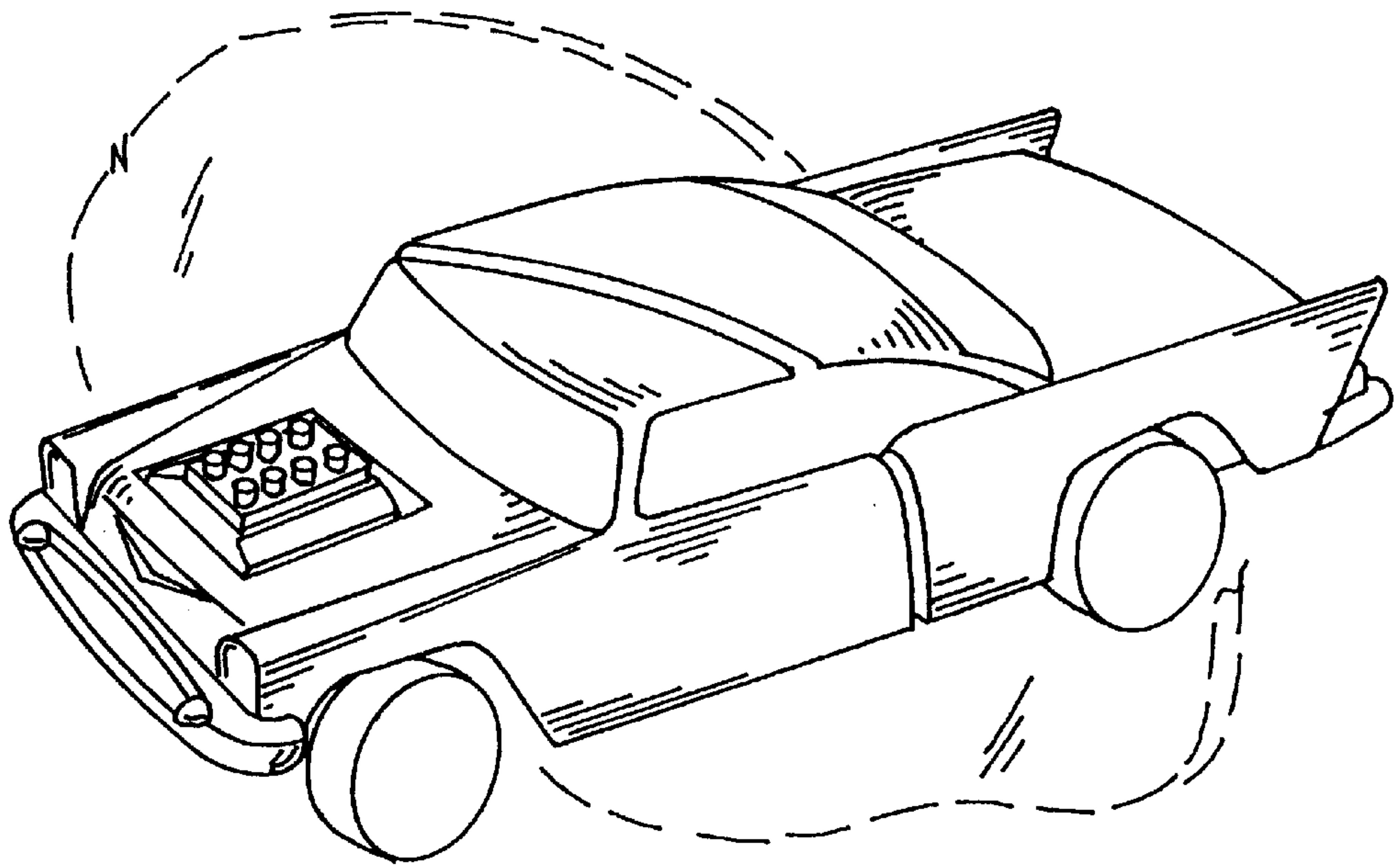


FIG. 1

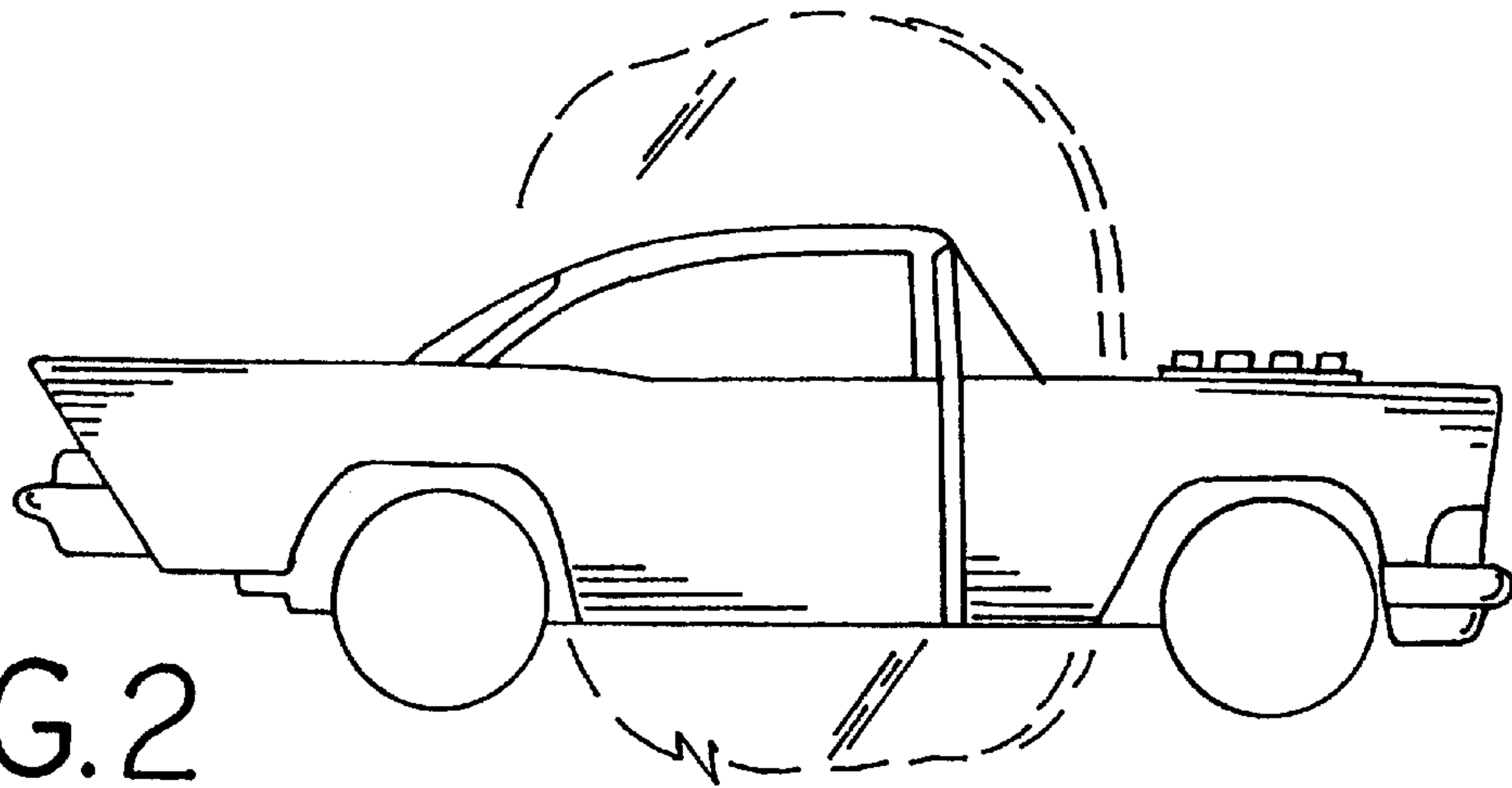


FIG. 2

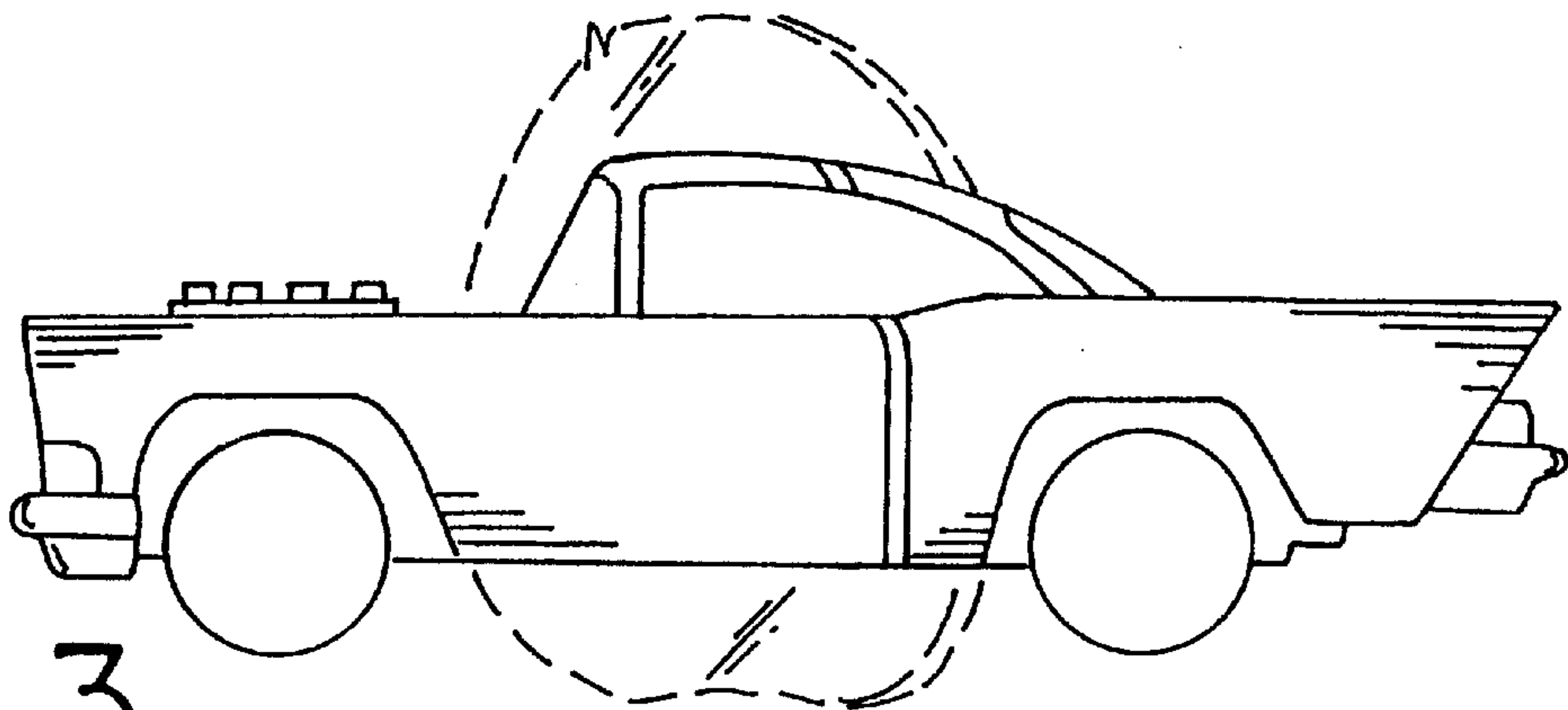
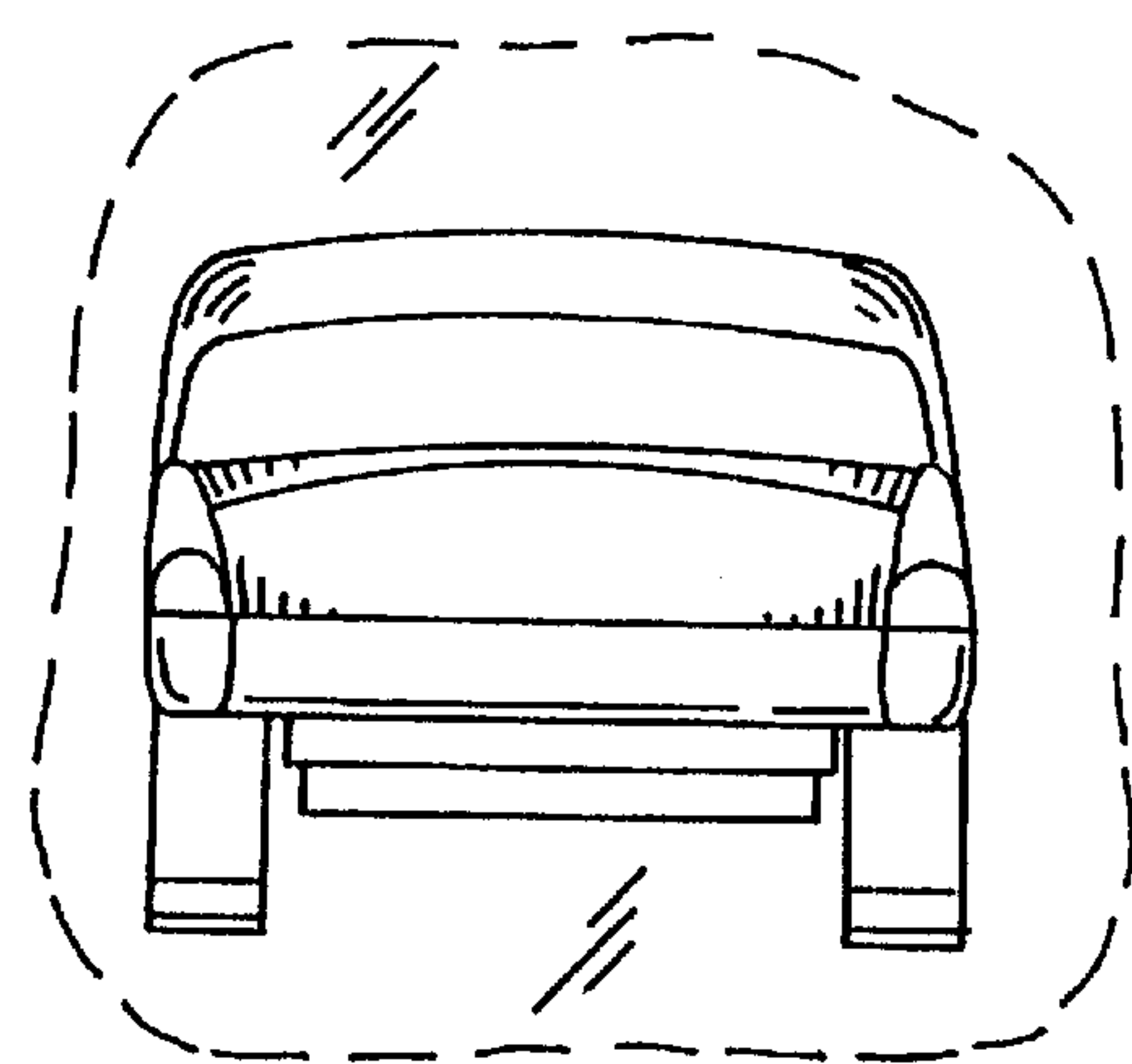
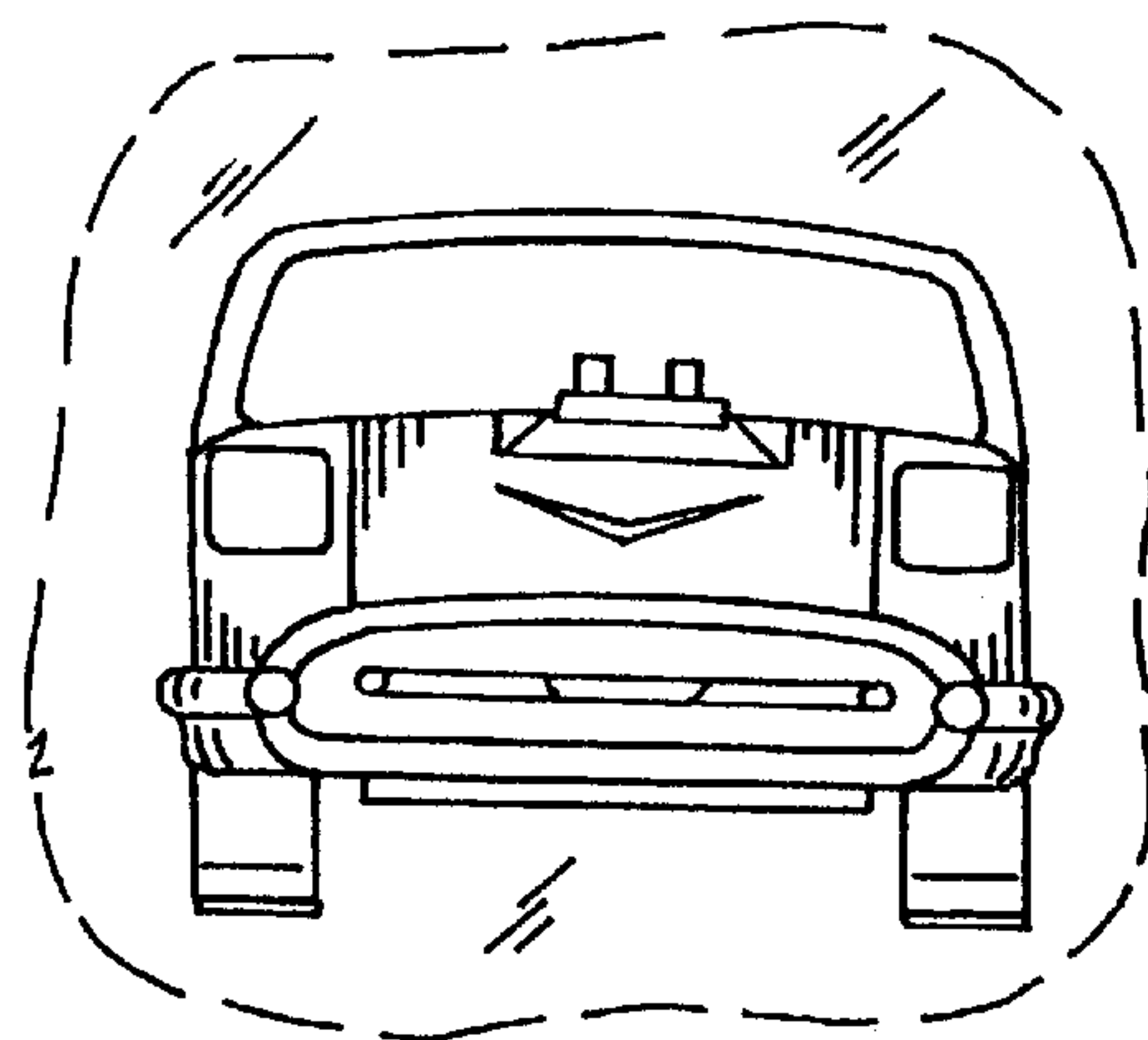
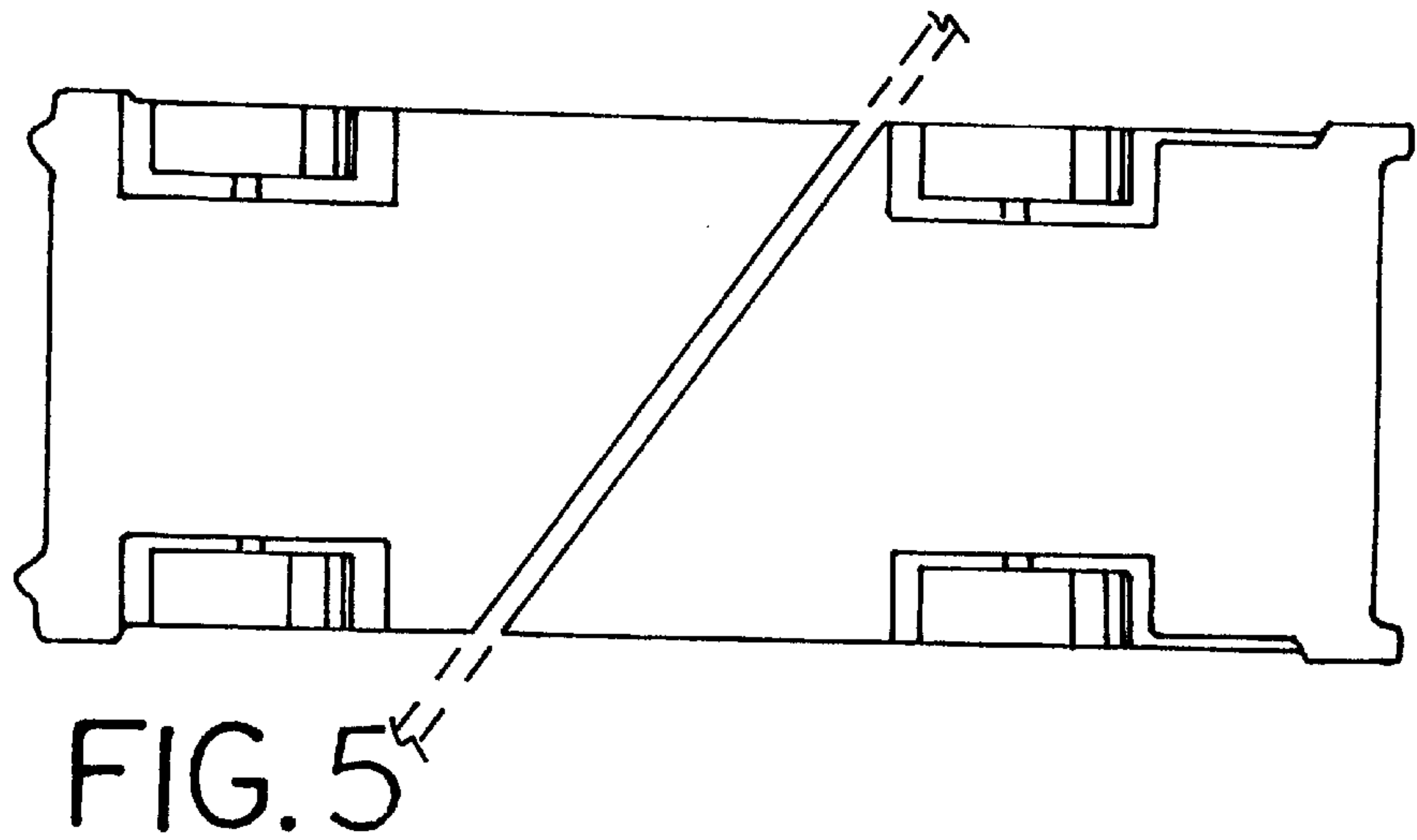
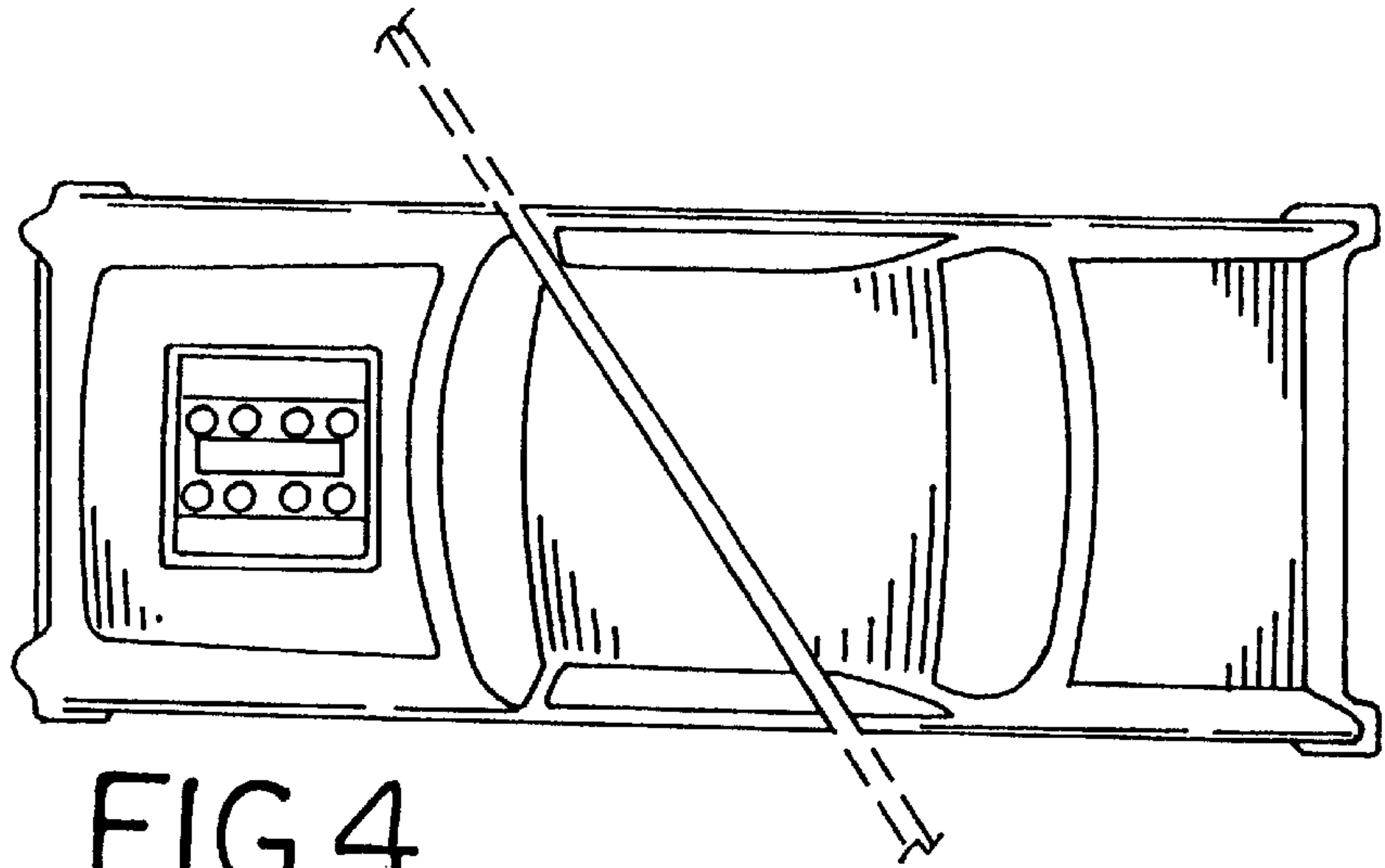


FIG. 3



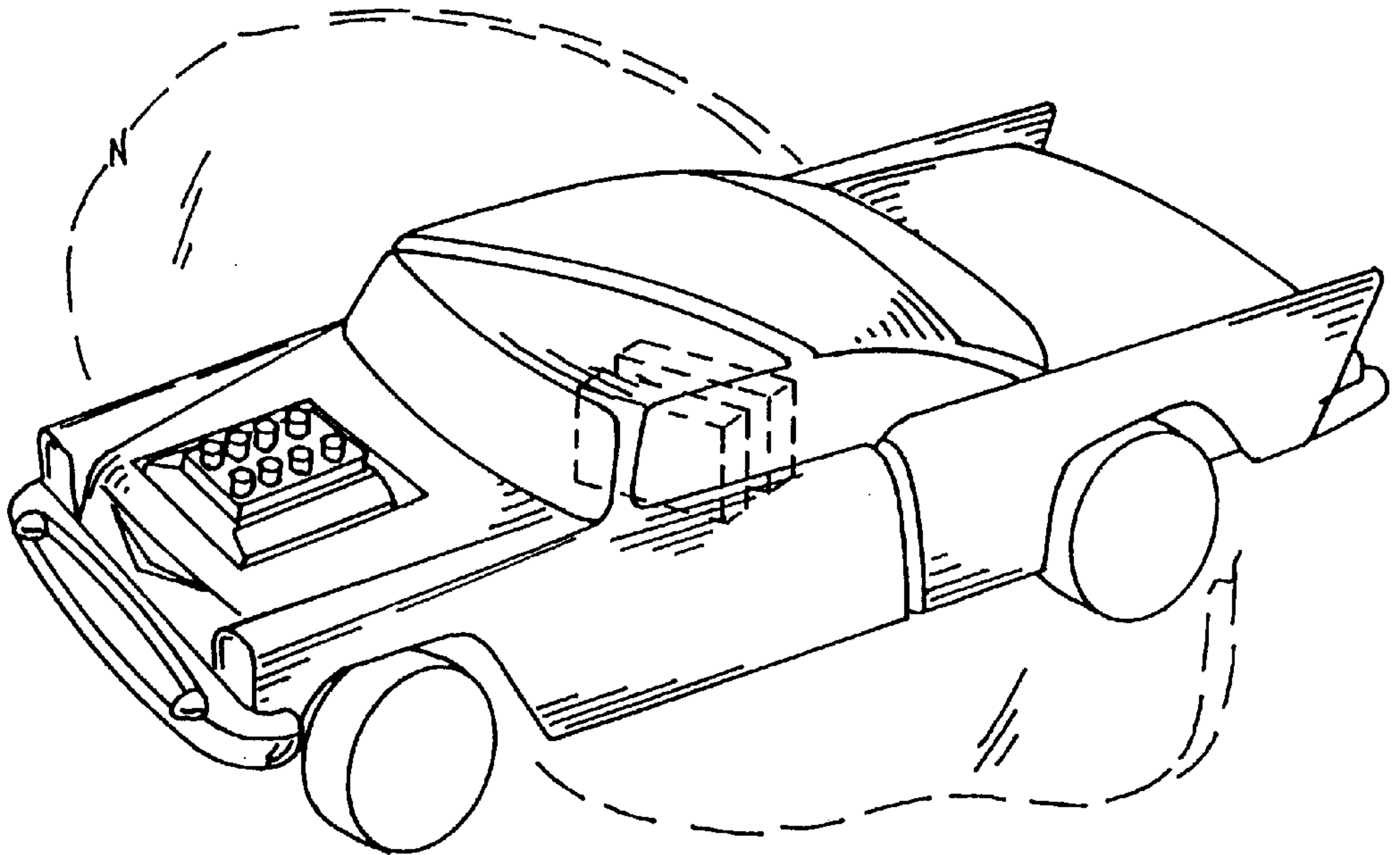


FIG. 8

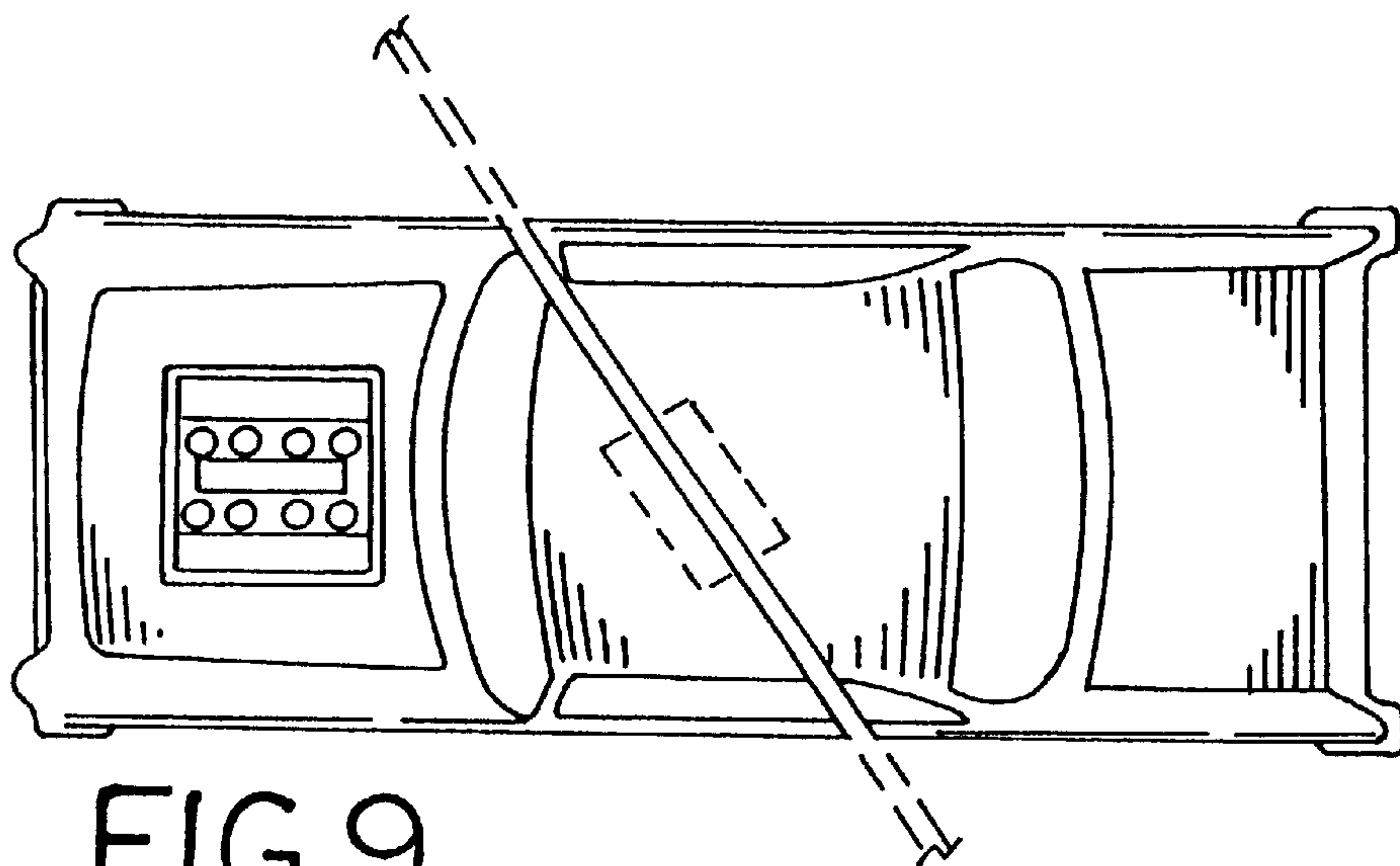


FIG. 9