



US00D444186S

(12) **United States Design Patent**
Tagg

(10) **Patent No.:** **US D444,186 S**

(45) **Date of Patent:** **** Jun. 26, 2001**

(54) **SET OF ROAD BARRIER AND EXECUTIVE TOY PIECES**

5,460,115 * 10/1995 Speer et al. 116/63 P

OTHER PUBLICATIONS

(76) **Inventor:** **Richard Tagg**, Risinghall House,
Snadhutton, York YO4 1JZ (GB)

Toys and Novelties, P47, Aug. 1962.*

(**) **Term:** **14 Years**

* cited by examiner

(21) **Appl. No.:** **29/125,818**

Primary Examiner—Raphael Barkai

(22) **Filed:** **Jun. 30, 2000**

(74) *Attorney, Agent, or Firm*—Edwin D. Schindler

(30) **Foreign Application Priority Data**

Feb. 25, 2000 (GB) 2090743

(57) **CLAIM**

The ornamental design for a set of road barrier and executive toy pieces, as shown and described.

(51) **LOC (7) Cl.** **21-01**

DESCRIPTION

(52) **U.S. Cl.** **D21/483; D21/484; D21/493**

FIG. 1 is a front elevational view of a set of road barrier and executive toy pieces showing the present design;

(58) **Field of Search** D21/483, 484,

FIG. 2 is a top view of the set of road barrier and executive toy pieces of FIG. 1;

D21/486, 493, 494, 502–505; D11/157;
D10/109, 113; 116/63 P, 63 C; 446/476,
85, 102, 104, 110, 111, 122, 124

FIG. 3 is an alternative, top view of the set of road barrier and executive toy pieces of FIG. 1;

(56) **References Cited**

U.S. PATENT DOCUMENTS

- D. 208,789 * 10/1967 Kuhn D21/505
- D. 315,752 * 3/1991 Wentling D21/493
- D. 350,168 * 8/1994 Ruzskai D21/483
- D. 361,952 * 9/1995 Stockman D10/109
- D. 391,513 * 3/1998 Brown D10/113
- D. 410,705 * 6/1999 Toft D21/486
- D. 414,826 * 10/1999 Rudy D21/504
- D. 421,235 * 2/2000 Rausch D10/113
- D. 426,588 * 6/2000 Glickman D21/486
- 3,034,254 * 5/1962 Christiansen D21/505

FIG. 4 is a bottom view of the set of road barrier and executive toy pieces of FIG. 1;

FIG. 5 is a left side end view of the set of road barrier and executive toy pieces of FIG. 1;

FIG. 6 is a right side end view of the set of road barrier and executive toy pieces of FIG. 1;

FIG. 7 is a front prospective view of the set of road barrier and executive toy pieces of FIG. 1; and,

FIG. 8 is a rear prospective view of the set of road barrier and executive toy pieces of FIG. 1.

1 Claim, 4 Drawing Sheets

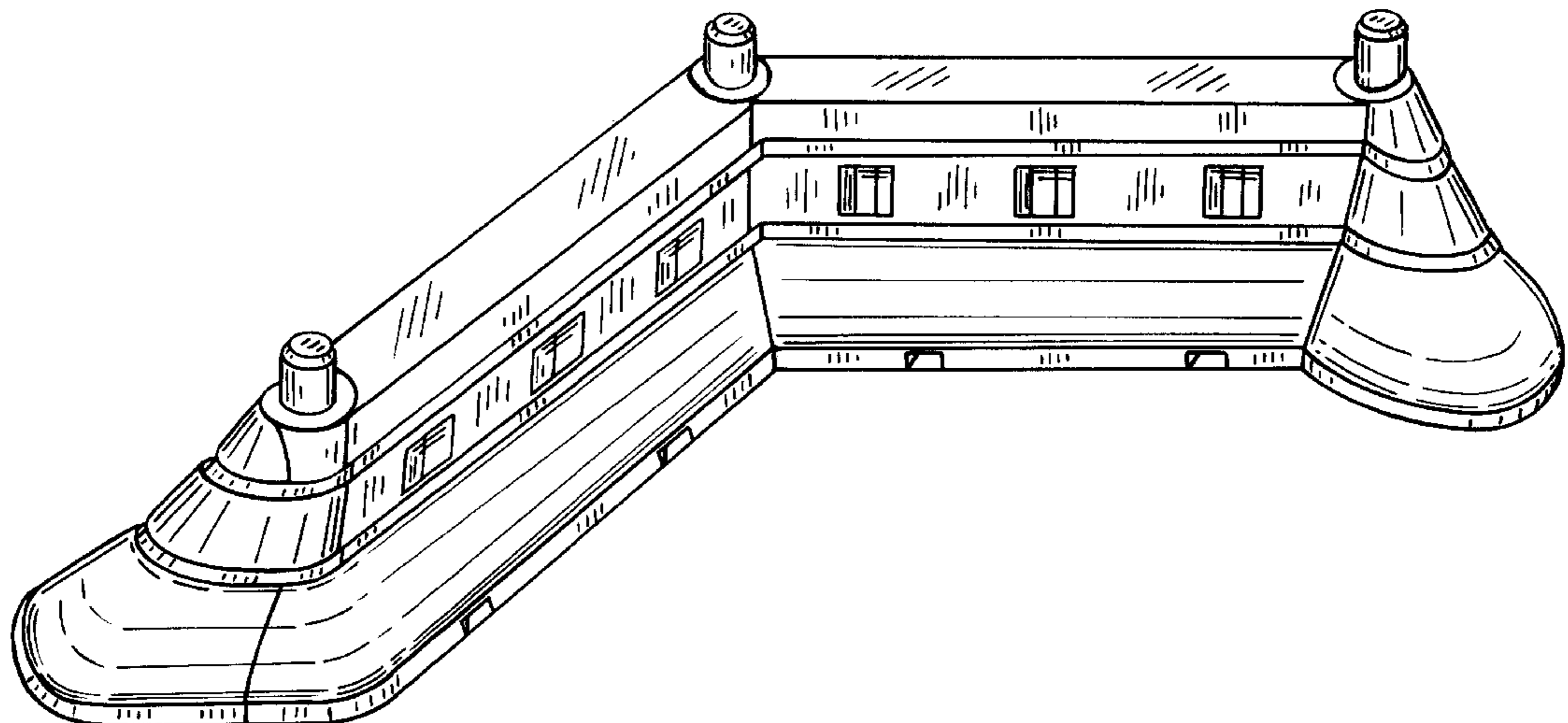


FIG. 1

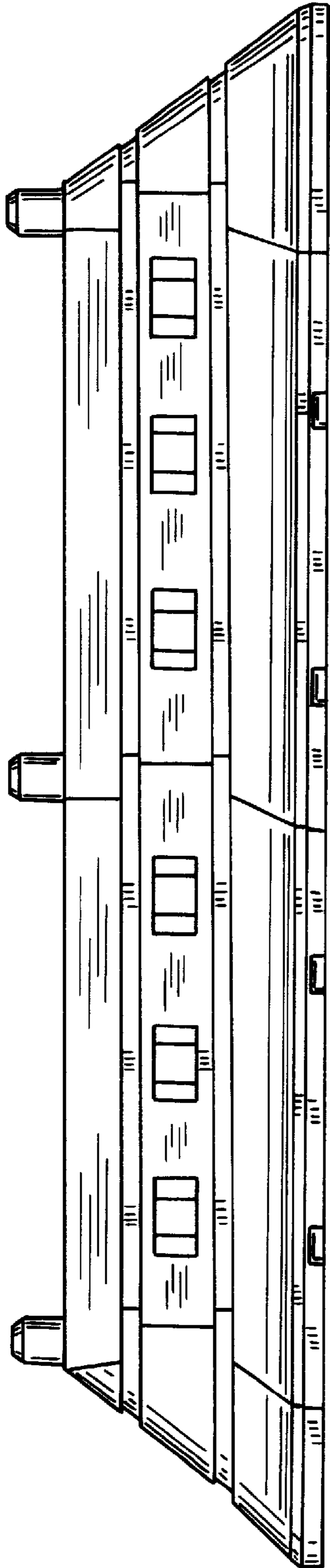


FIG. 2

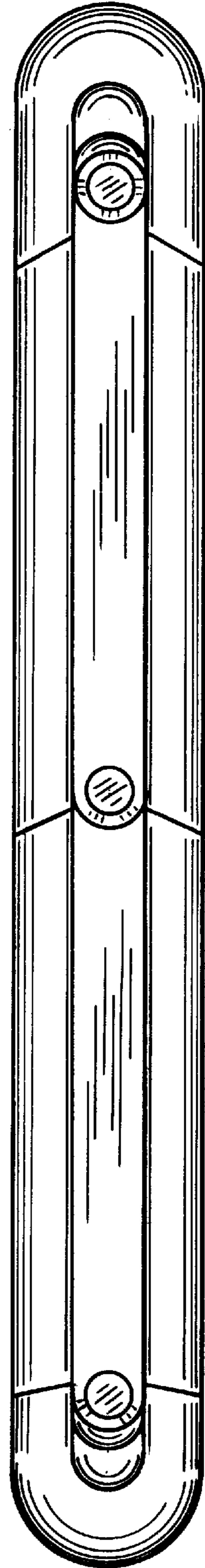


FIG. 3

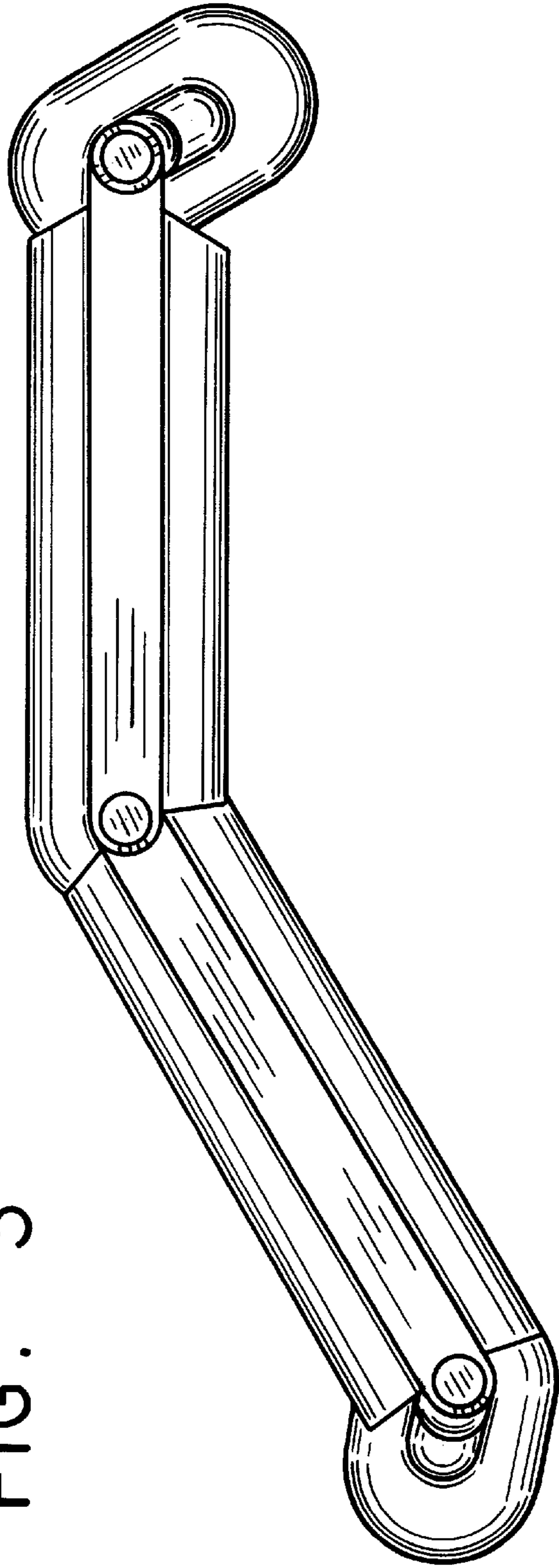


FIG. 4

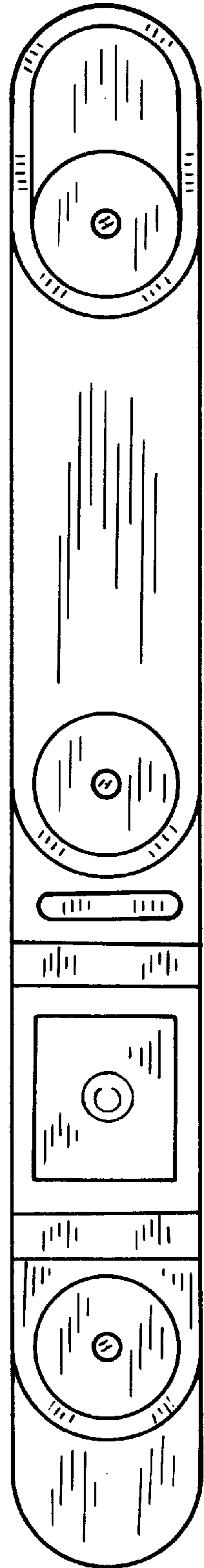


FIG. 8

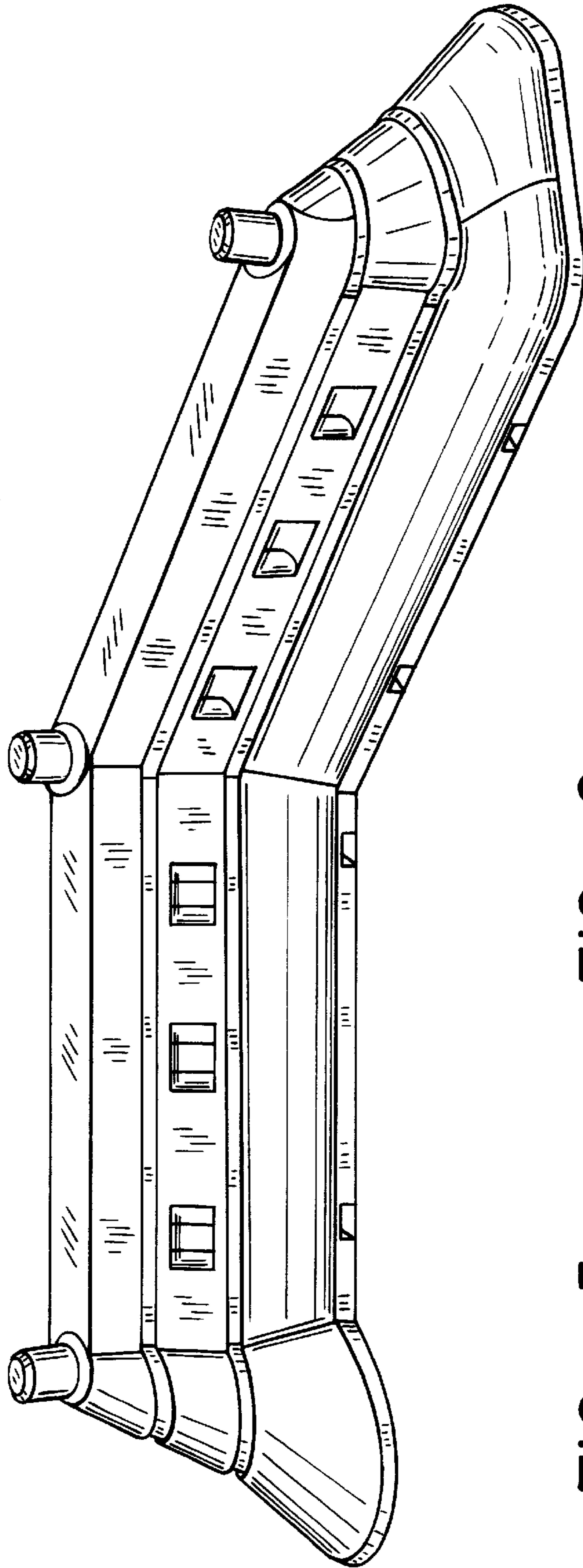


FIG. 5

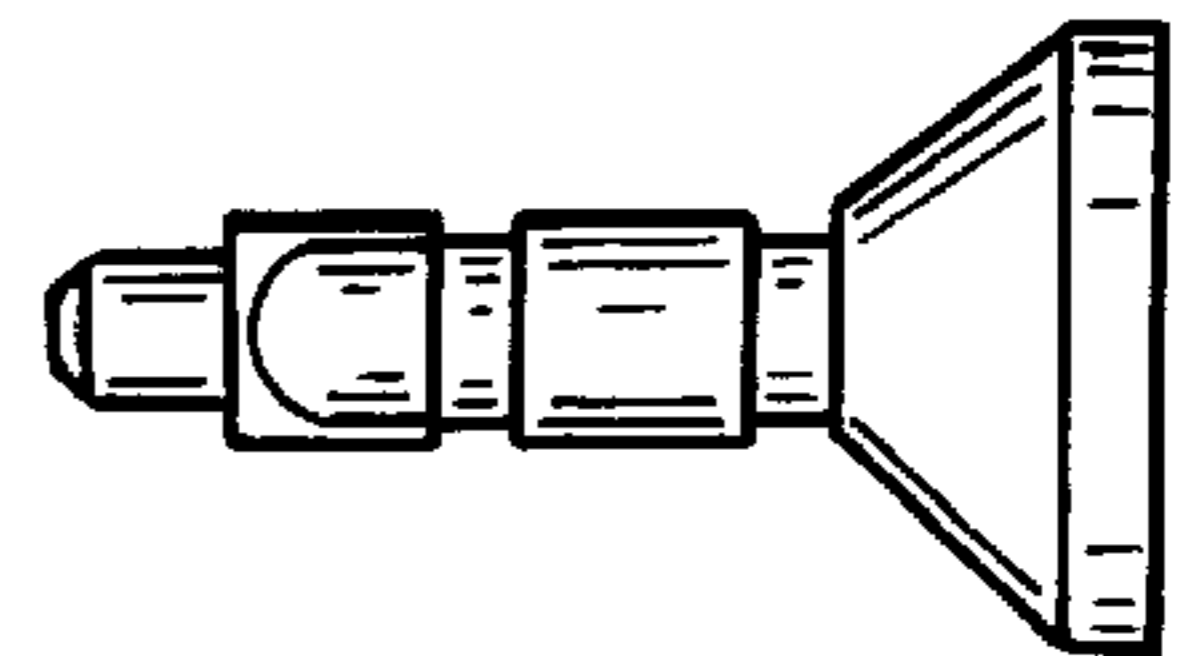


FIG. 6

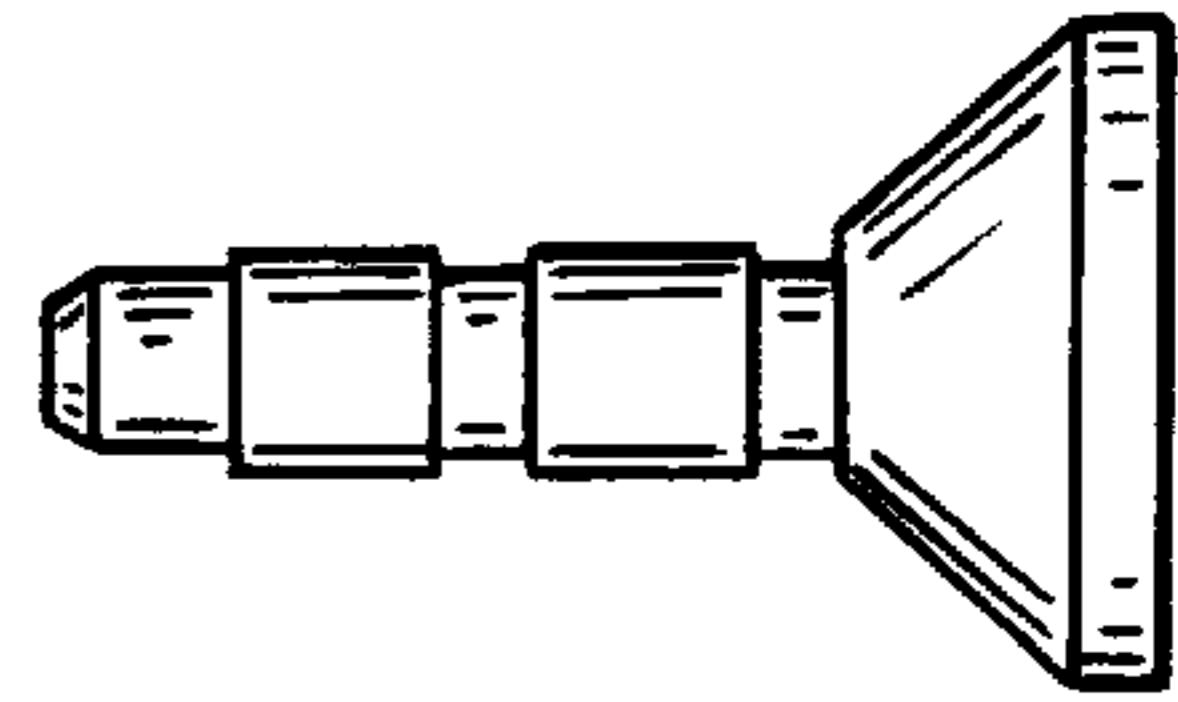


FIG. 7

