



US00D444179S

(12) **United States Design Patent**
Dill

(10) **Patent No.:** **US D444,179 S**

(45) **Date of Patent:** **** Jun. 26, 2001**

(54) **PAPER HOLDER**

(76) Inventor: **Etienne Dill**, 54 Boulevard
Beaumarchais, 75011 Paris (FR)

(**) Term: **14 Years**

(21) Appl. No.: **29/119,262**

(22) Filed: **Feb. 28, 2000**

(30) **Foreign Application Priority Data**

Aug. 27, 1999 (FR) 99 5301

(51) **LOC (7) Cl.** **19-02**

(52) **U.S. Cl.** **D19/90; D19/65; D19/86**

(58) **Field of Search** D19/65, 69, 75,
D19/78, 86, 88, 90, 91, 95, 99, 100; 248/441.1,
473, 206.5, 451, 466, 468, 453, 469; 211/10,
11, 89.01, 41.1, 41.12, 41.13, 42, 43, 44,
45

(56) **References Cited**

U.S. PATENT DOCUMENTS

D. 48,746 3/1916 Foster .
D. 101,143 4/1936 Shank .
D. 181,114 10/1957 Turner .
D. 348,484 * 7/1994 Blackwell et al. D19/69
D. 359,513 * 6/1995 Carlson D19/86
D. 407,440 3/1999 Vanlandingham, Jr. .
D. 418,166 12/1999 Dill .
D. 426,853 * 6/2000 Clubbe D19/90

715,532 * 12/1902 Anderson 248/468
1,630,373 3/1927 Combs .
2,497,418 2/1950 Schroeder, Jr. .
2,832,176 4/1958 Vergeer .
4,125,243 11/1978 Liptak .

FOREIGN PATENT DOCUMENTS

59-24383 2/1984 (JP) .
63-23169 6/1988 (JP) .

* cited by examiner

Primary Examiner—Martie K. Holtje
(74) *Attorney, Agent, or Firm*—Greenblum & Bernstein,
P.L.C.

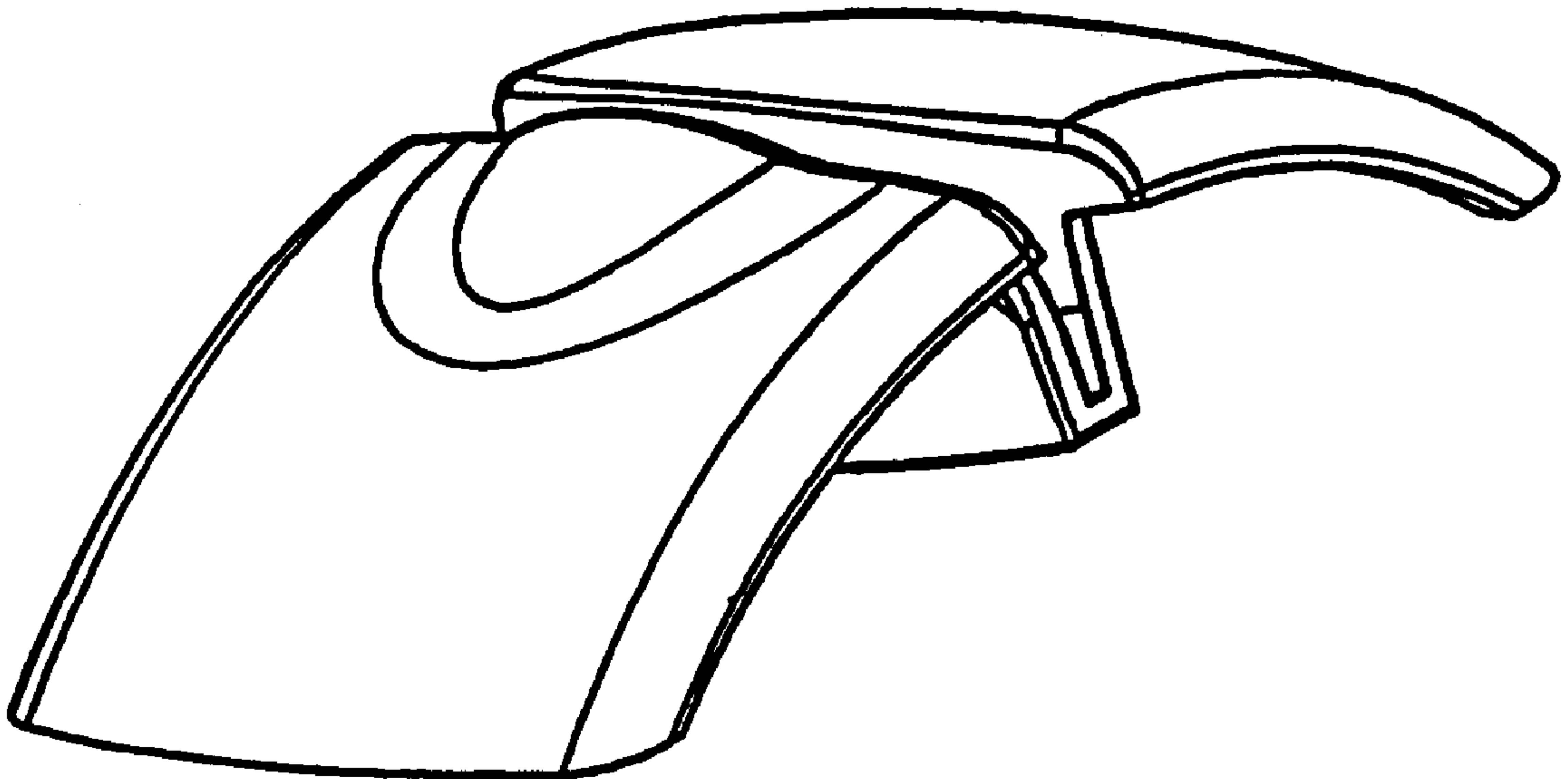
(57) **CLAIM**

I claim the ornamental design for a paper holder, as shown
and described.

DESCRIPTION

FIG. 1 is a top plan view, showing my new design;
FIG. 2 is a bottom plan view thereof;
FIG. 3 is a right side view thereof;
FIG. 4 is a left side view thereof;
FIG. 5 is a front end view thereof;
FIG. 6 is a rear end view thereof;
FIG. 7 is a front perspective view of the right side thereof;
and,
FIG. 8 is a rear perspective view of the left side thereof.

1 Claim, 4 Drawing Sheets



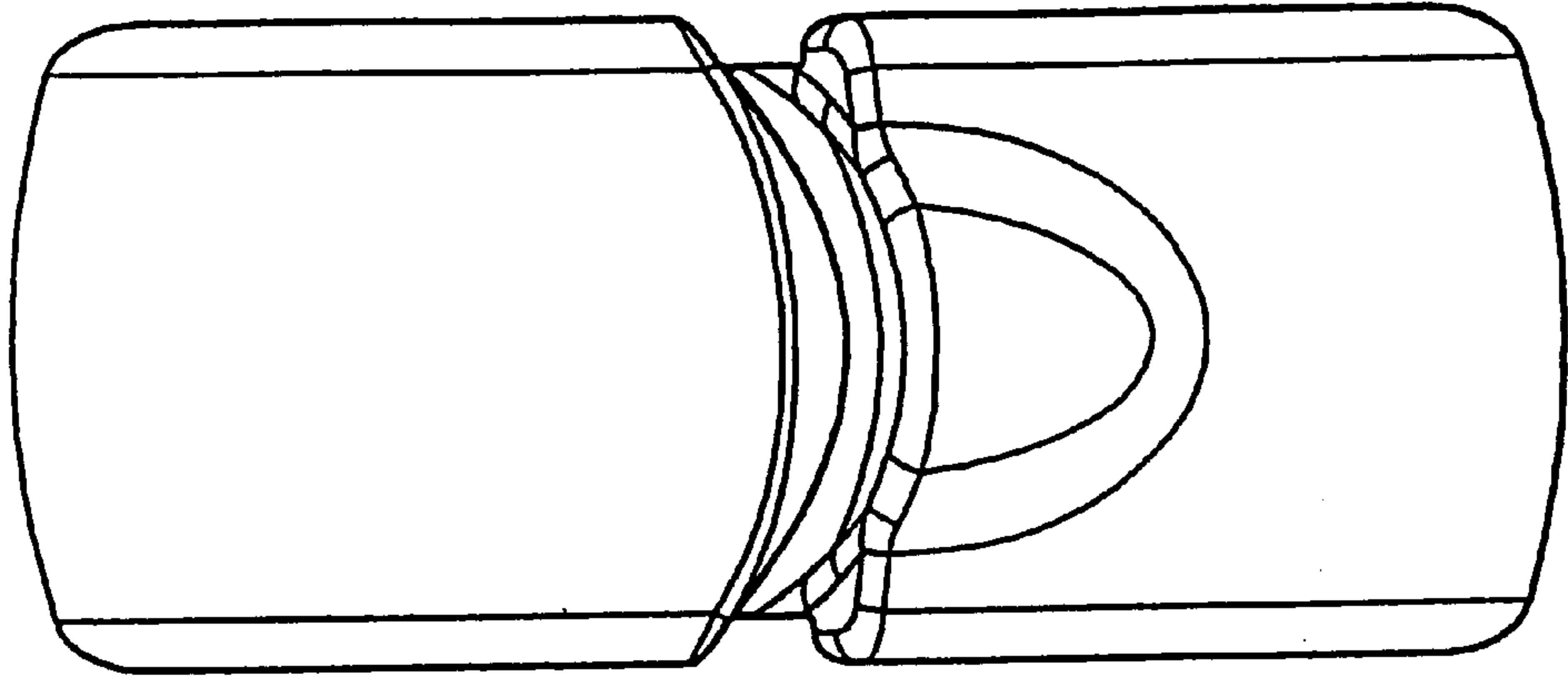


FIG. 1

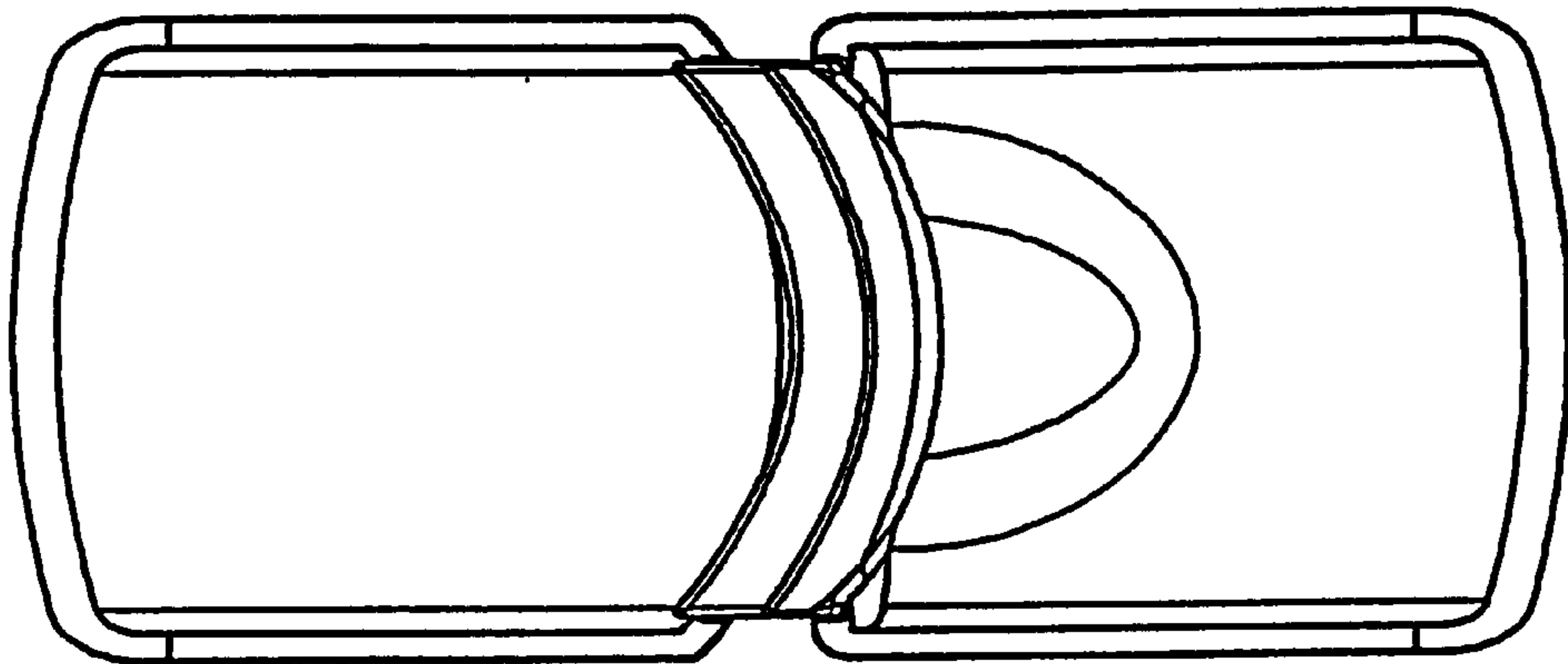


FIG. 2

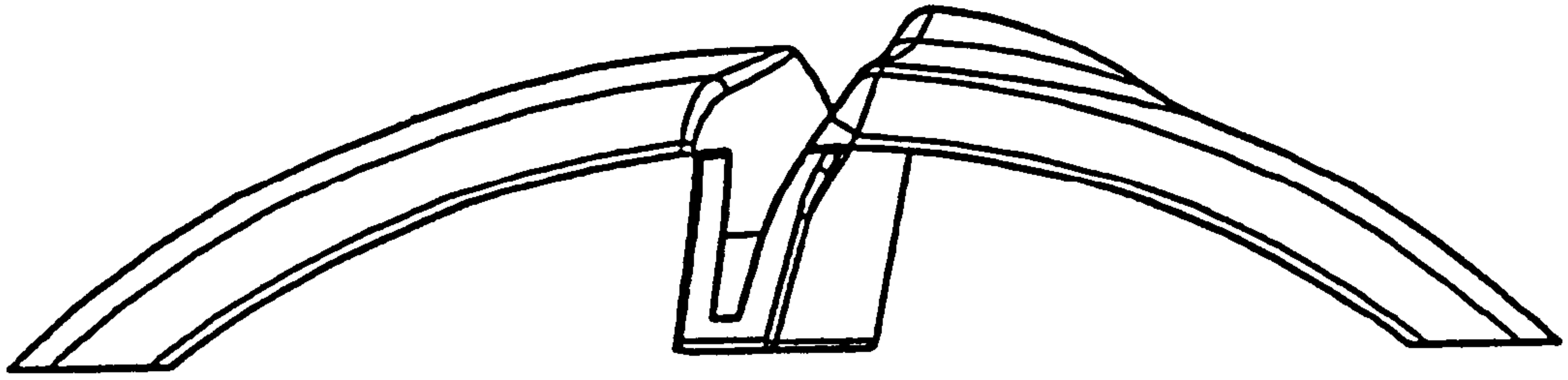


FIG. 3

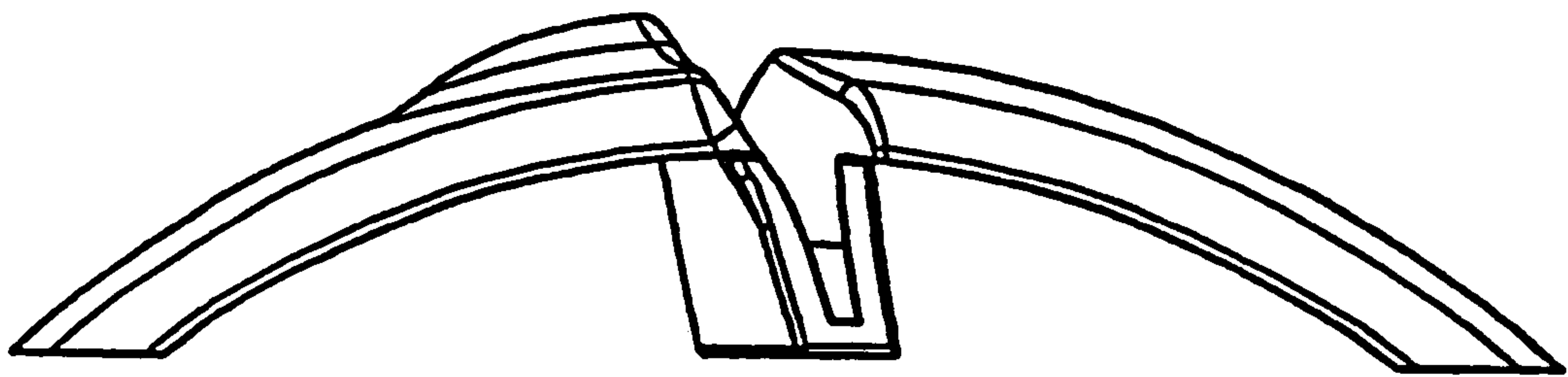


FIG. 4

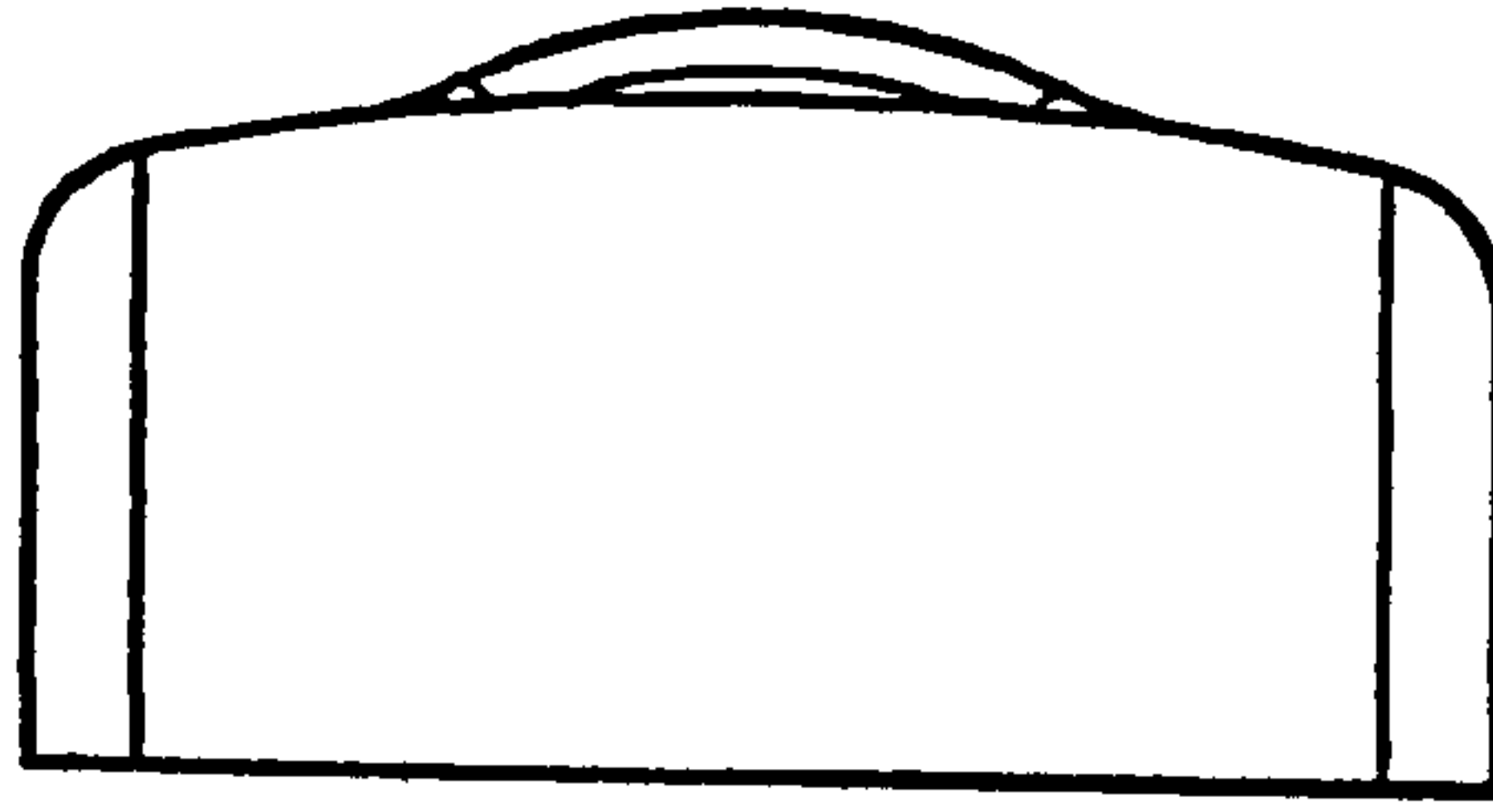


FIG. 5

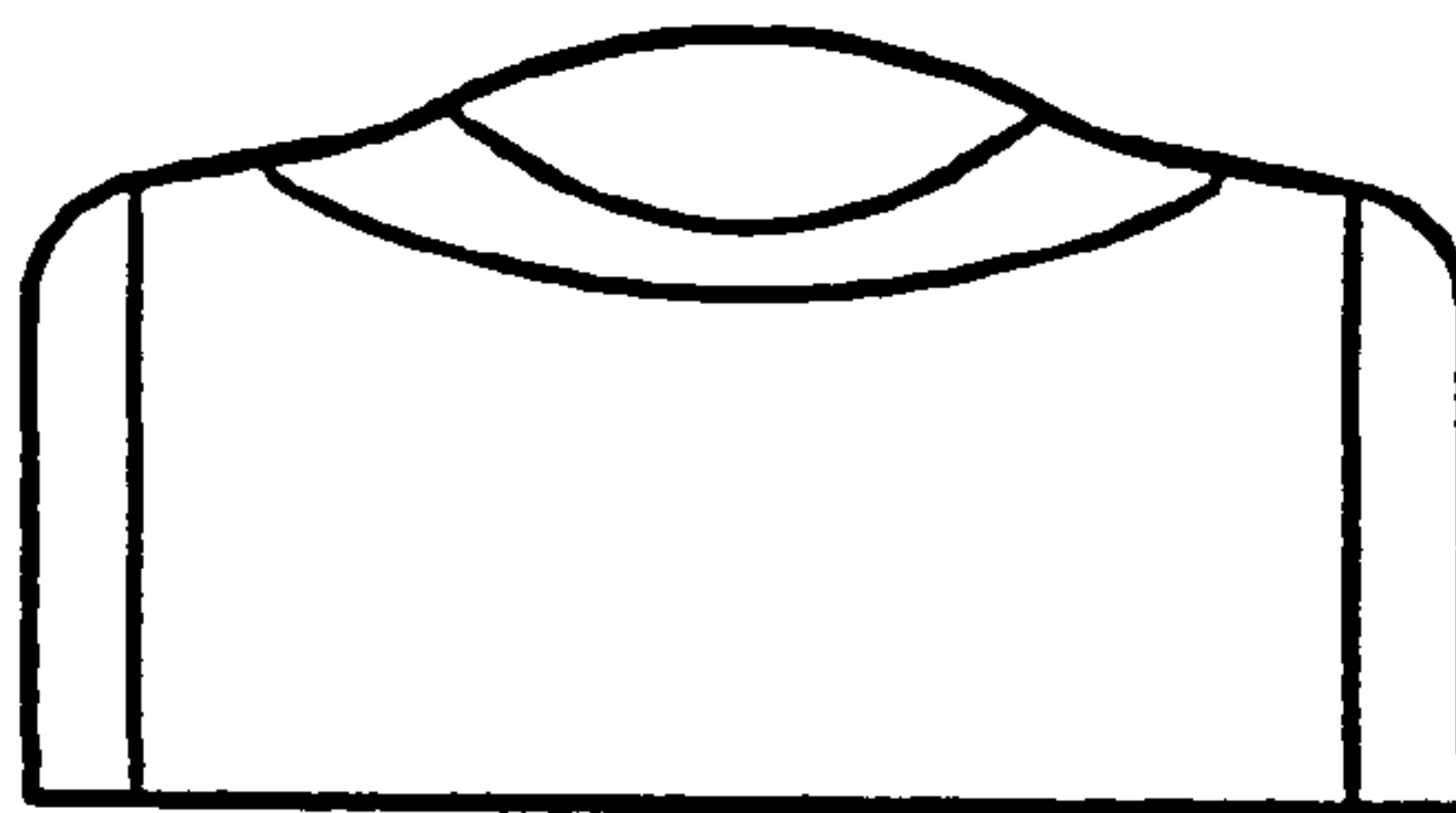


FIG. 6

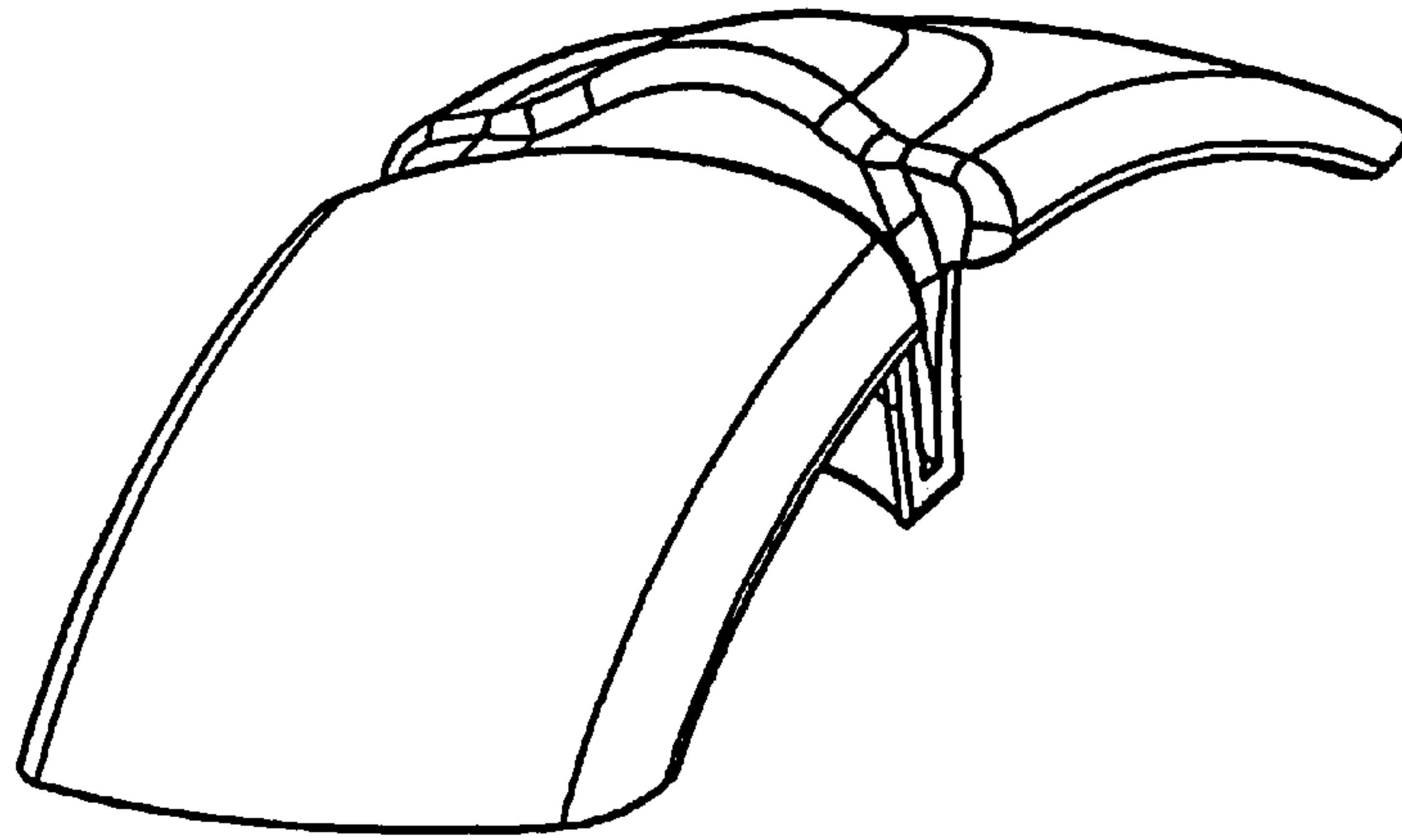


FIG. 7

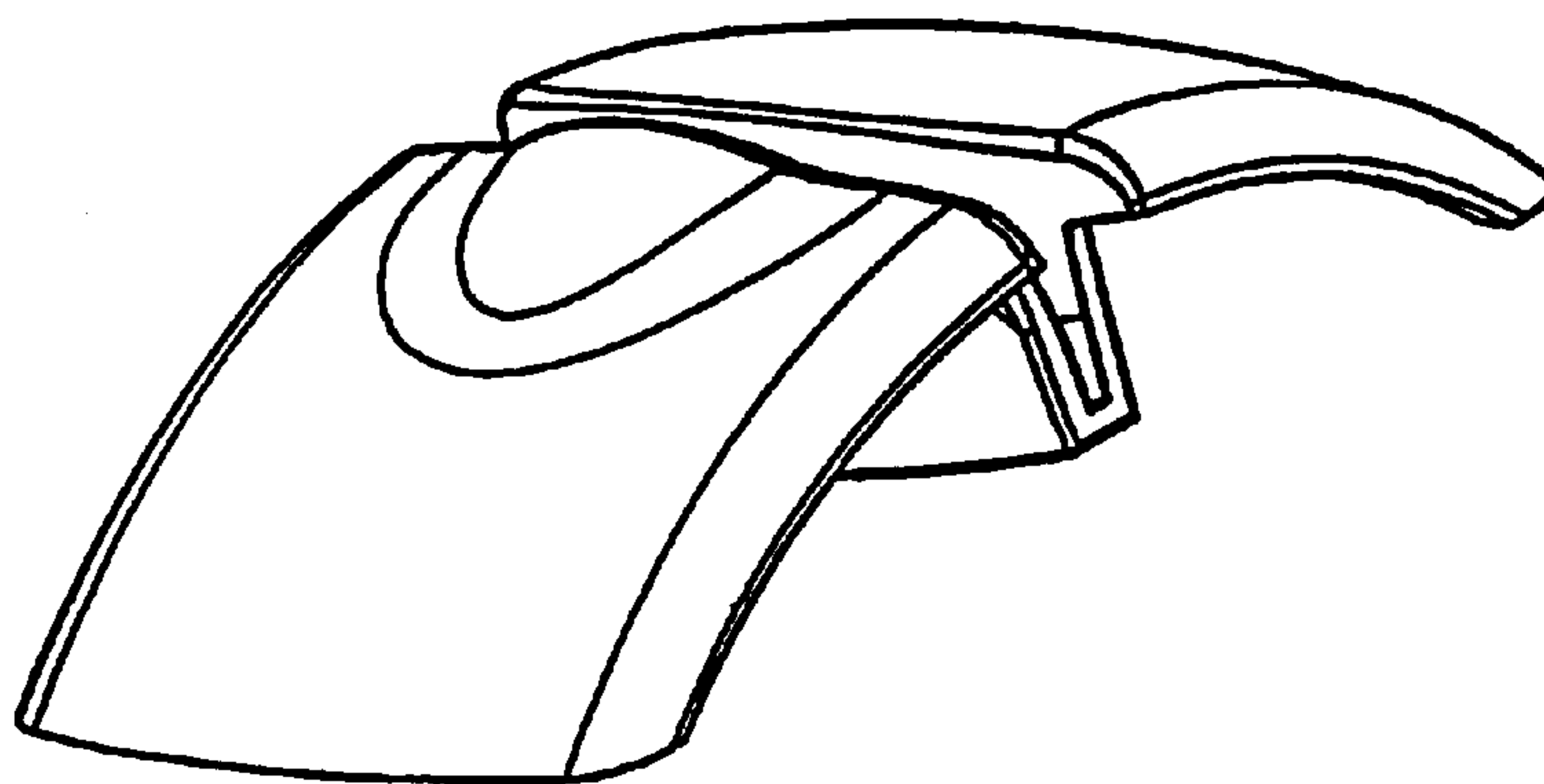


FIG. 8