



US00D444171S

(12) **United States Design Patent**
McCullough

(10) **Patent No.:** **US D444,171 S**

(45) **Date of Patent:** **** Jun. 26, 2001**

(54) **DOUBLE CARTRIDGE WRITING INSTRUMENT**

(76) Inventor: **Don E. McCullough**, 7808 Red Mill Dr., Indianapolis, IN (US) 46226

(**) Term: **14 Years**

(21) Appl. No.: **29/125,362**

(22) Filed: **Jun. 22, 2000**

(51) **LOC (7) Cl.** **19-06**

(52) **U.S. Cl.** **D19/42; D19/46; D19/51**

(58) **Field of Search** D19/35, 36, 41-51, D19/53-58, 81-85; D22/116; 401/6, 7, 88, 209, 99, 52, 195, 109, 117

(56) **References Cited**

U.S. PATENT DOCUMENTS

D. 10,872	*	10/1878	Gessner	D19/42
D. 26,677	*	2/1897	Gardner	D22/116
D. 48,227		11/1915	Kulow	.	
D. 138,416		8/1944	Fernandez	.	
D. 141,850	*	7/1945	Sanders	D19/42
D. 220,296		3/1971	Berlin	.	
D. 258,454	*	3/1981	Echevarria et al.	D19/42
D. 290,851	*	7/1987	Yoshida	D19/41
D. 327,703	*	7/1992	Katami	D19/36
D. 435,886	*	1/2001	Benini	D22/116
948,124	*	2/1910	Arends	401/85
5,169,253	*	12/1992	Tsao	401/195

OTHER PUBLICATIONS

Harriet Carter. Oct. 1992, see circled bullet pen, right center.*

Guns and Ammo, Aug. 1994, see circled casing, bottom of p. 72.*

* cited by examiner

Primary Examiner—Martie K. Holtje
(74) *Attorney, Agent, or Firm*—Woodard, Emhardt, Naughton, Moriarty & McNett

(57) **CLAIM**

The ornamental design for a double cartridge writing instrument, as shown and described.

DESCRIPTION

FIG. 1 is a side view of a double cartridge writing instrument showing my new design;

FIG. 2 is a top end view;

FIG. 3 is a writing-tip end view;

FIG. 4 is a side view with the plunger depressed to expose the writing tip;

FIG. 5 is a top end view of an alternate embodiment of FIG. 1 including a firing pin mark on the plunger end face;

FIG. 6 is a side view of an alternate embodiment of FIG. 1 including an alternative top end bevel and body length;

FIG. 7 is a top end view of the embodiment illustrated in FIG. 6 including a second alternative firing pin mark;

FIG. 8 is a side view of an alternate embodiment of FIG. 1 including a round nose tip;

FIG. 9 is a side view of an alternate embodiment of FIG. 1 including a flat nose tip; and,

FIG. 10 is a writing-tip end view of the embodiment illustrated in FIG. 9.

The portion of the top end shown in broken lines in FIGS. 5 and 7 and spelling the words "HEAD STAMP" is for illustrative purposes only and forms no part of the claimed design.

1 Claim, 3 Drawing Sheets



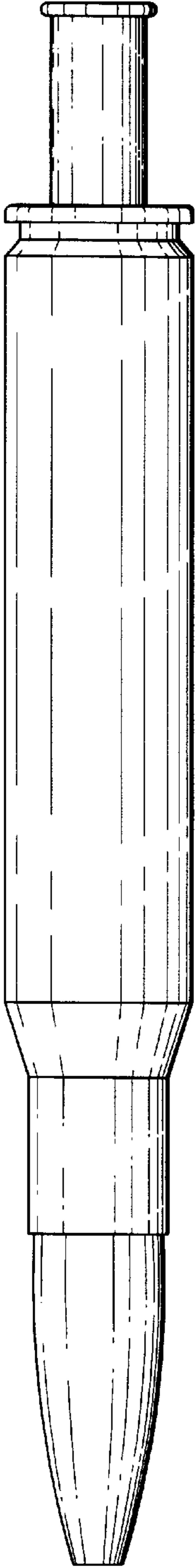


Fig. 1

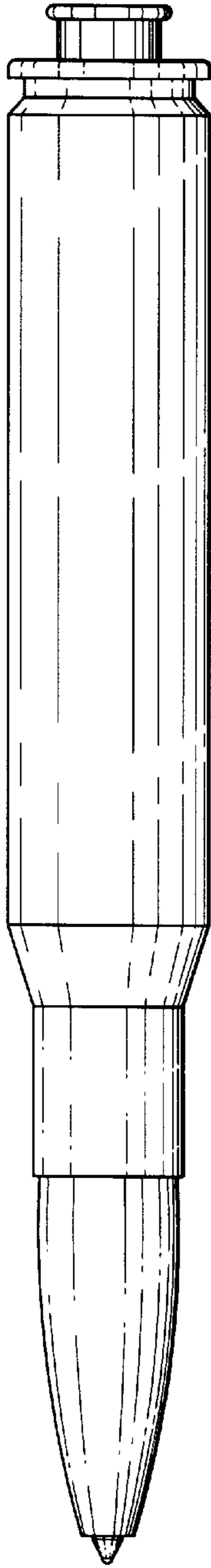


Fig. 4

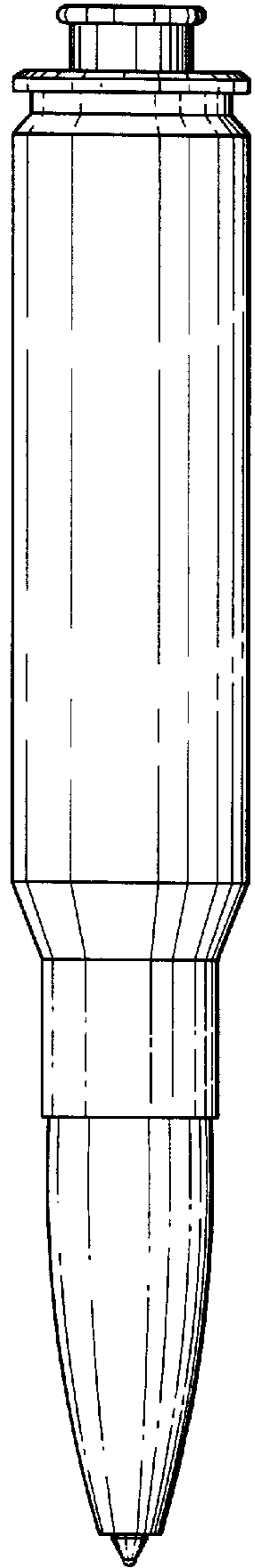


Fig. 6

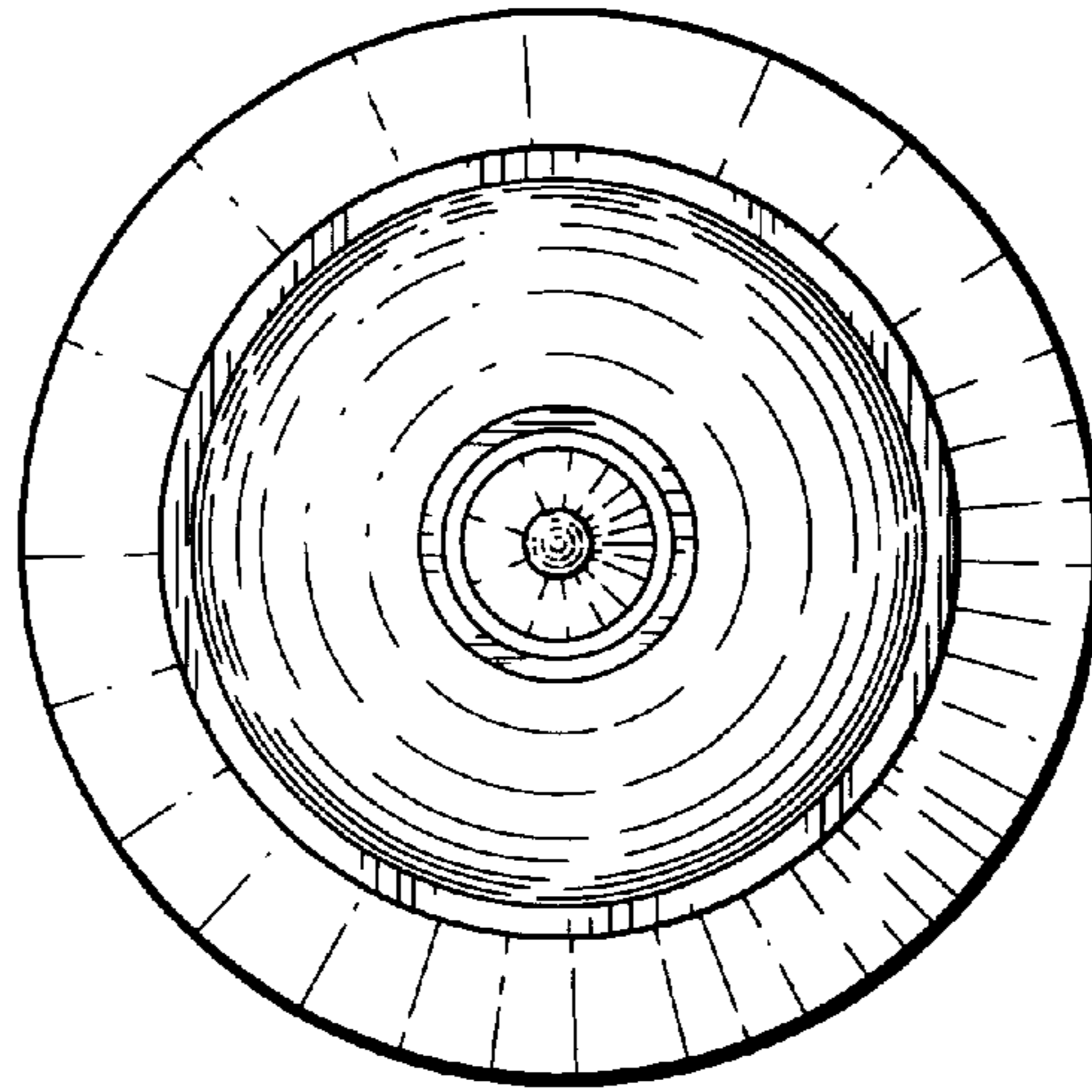


Fig. 3

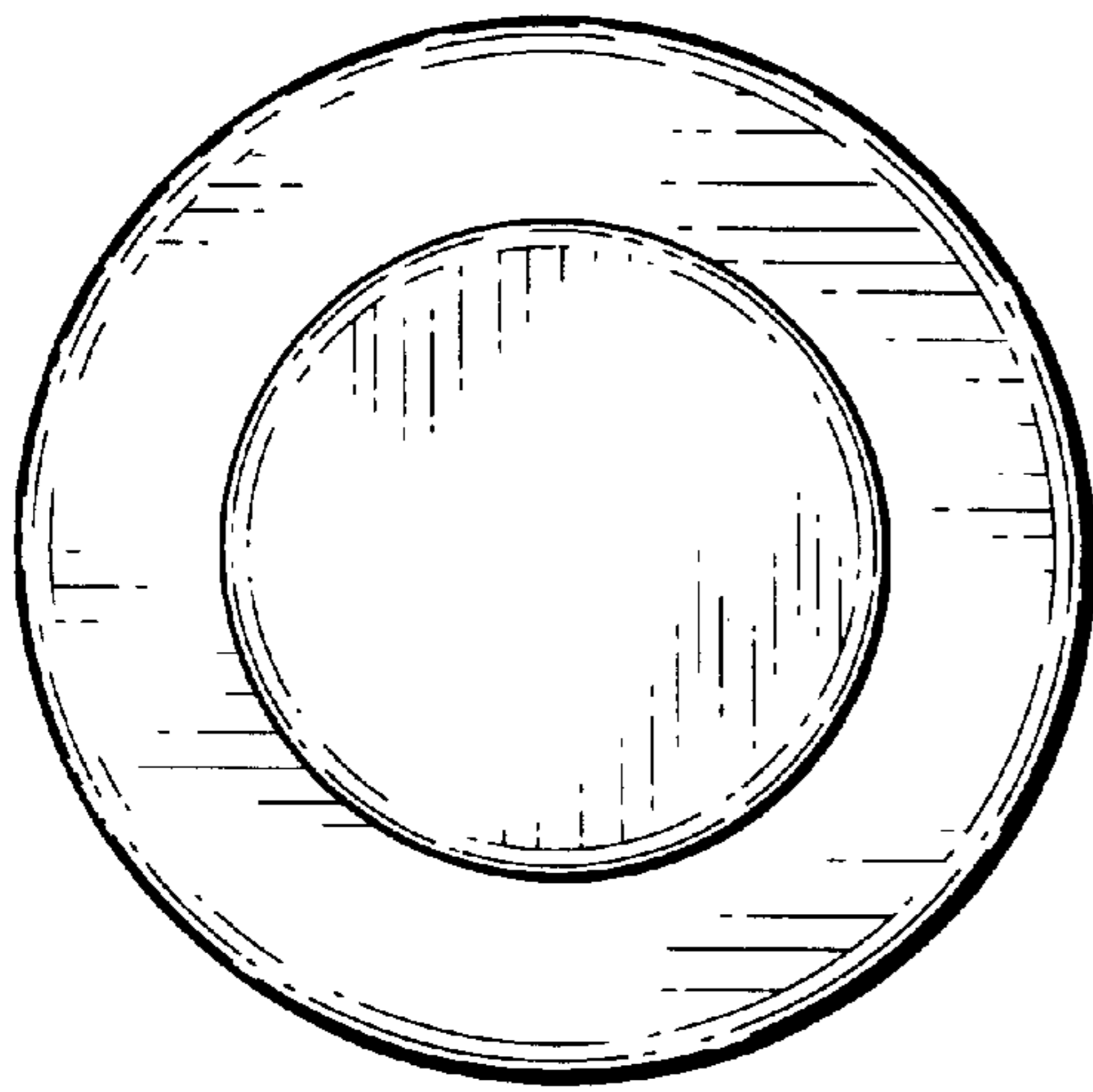


Fig. 2

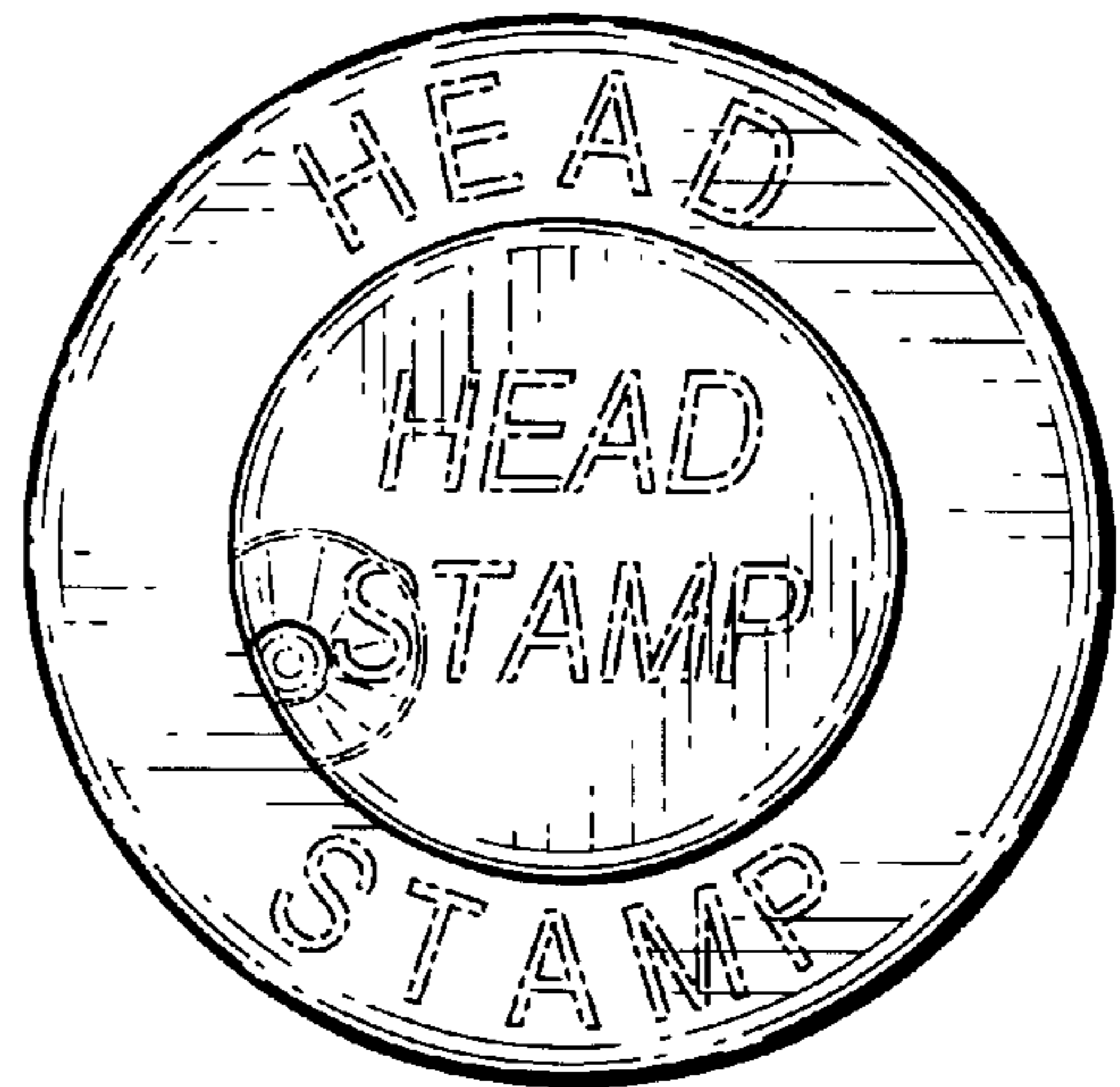


Fig. 5

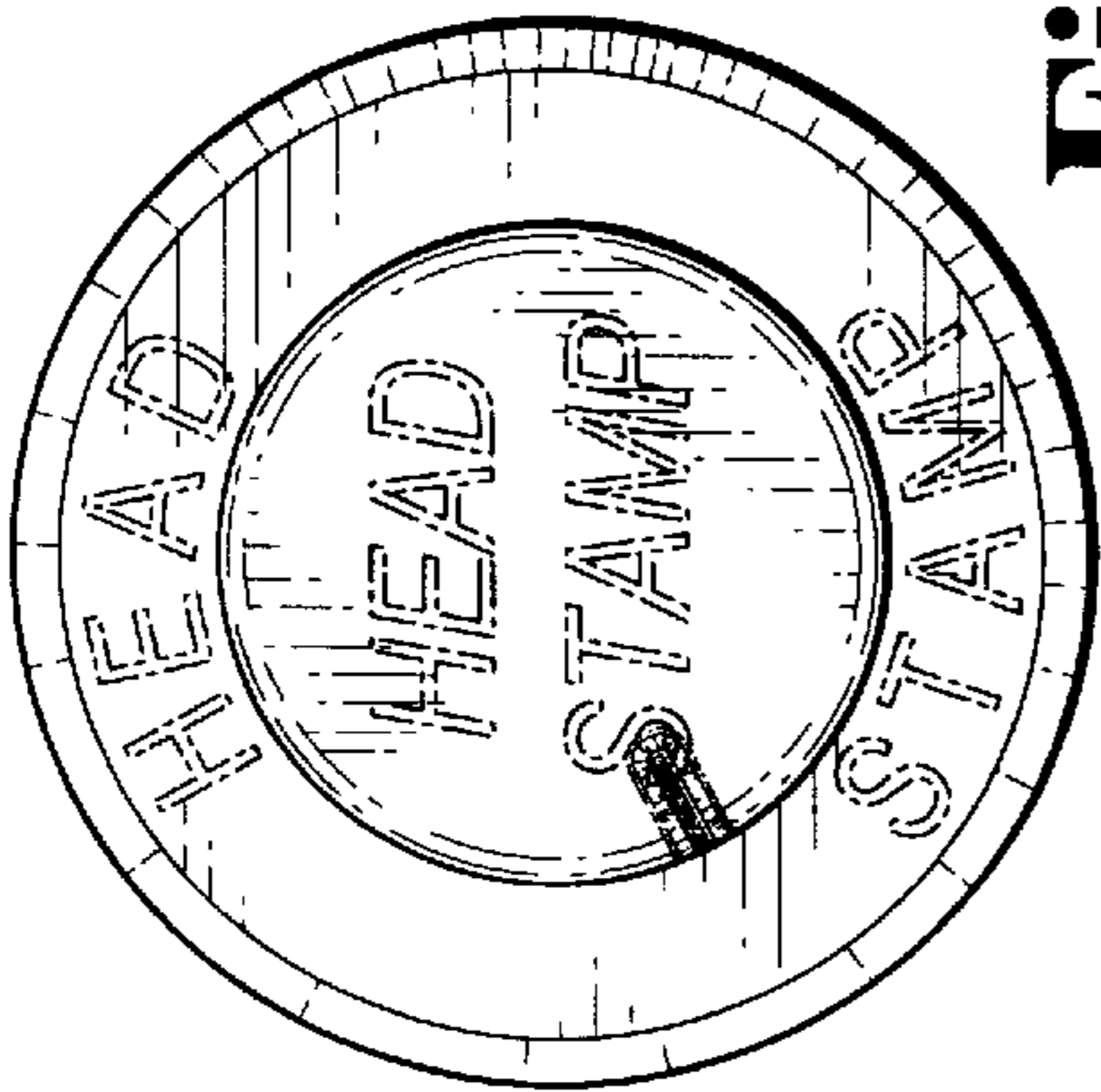


Fig. 7

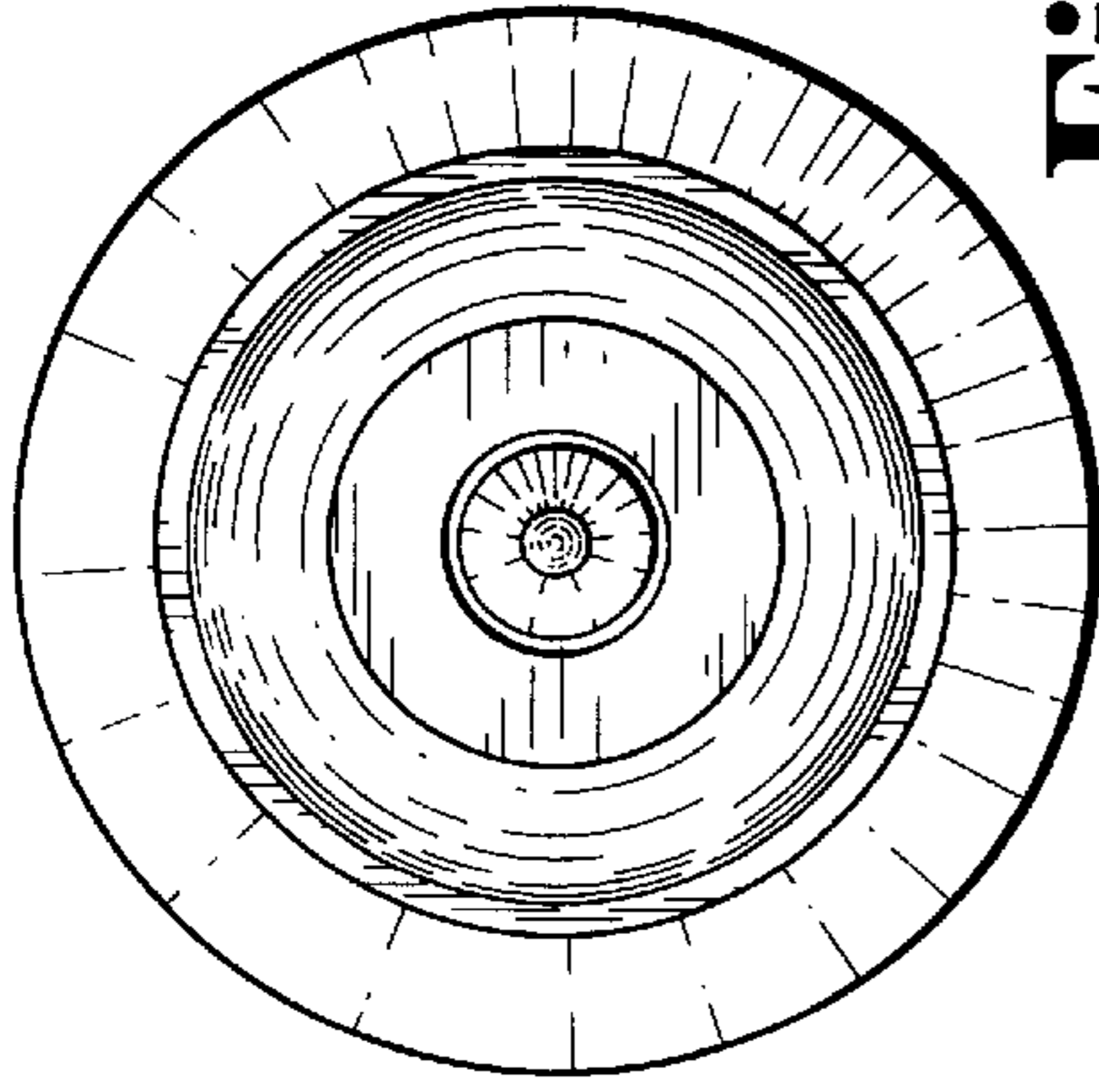


Fig. 10

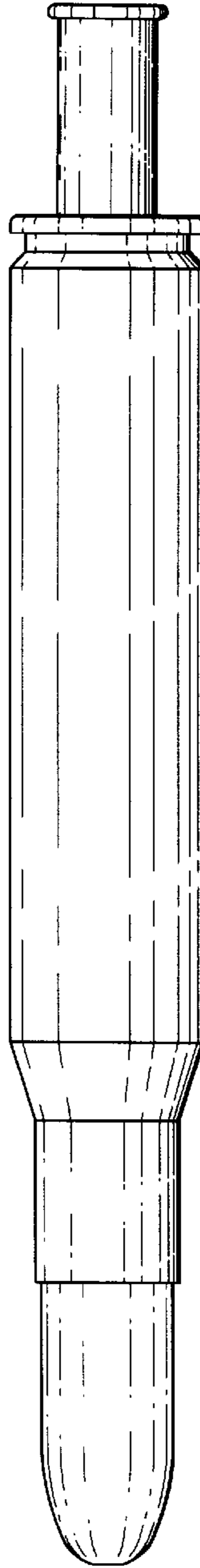


Fig. 8

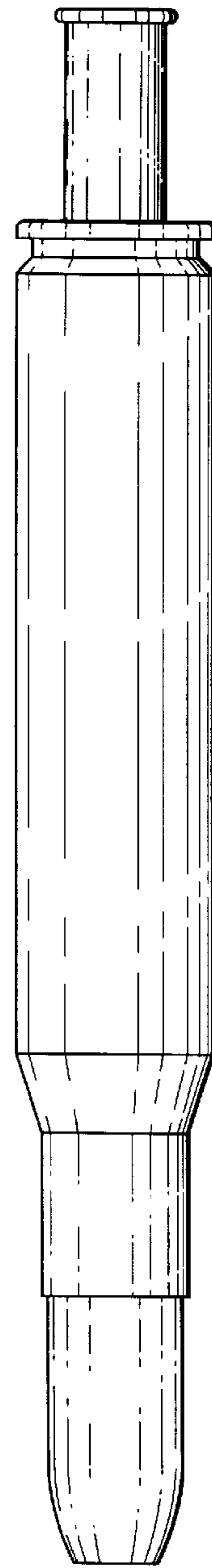


Fig. 9