



US00D444165S

(12) **United States Design Patent**
Kikuchi

(10) **Patent No.:** **US D444,165 S**

(45) **Date of Patent:** **** Jun. 26, 2001**

(54) **CAMERA**

(75) Inventor: **Kazuhiro Kikuchi**, Tokyo (JP)

(73) Assignee: **Kabushiki Kaisha Mega House**, Tokyo (JP)

(**) Term: **14 Years**

(21) Appl. No.: **29/121,801**

(22) Filed: **Apr. 13, 2000**

(30) **Foreign Application Priority Data**

Jan. 26, 2000 (JP) 12-001027

(51) **LOC (7) Cl.** **16-01**

(52) **U.S. Cl.** **D16/218**

(58) **Field of Search** D16/200-206,
D16/207, 208, 209, 217, 218; 396/535-541

(56) **References Cited**

U.S. PATENT DOCUMENTS

D. 150,228 * 7/1948 Harvey D16/218

D. 178,272 * 7/1956 Birbaum D16/218

D. 181,682 * 12/1957 Stein D16/218

D. 257,850 * 1/1981 Matsumoto D16/218

4,943,822 * 7/1990 Braunhut 396/535

* cited by examiner

Primary Examiner—Adir Aronovich

(74) *Attorney, Agent, or Firm*—Baker & McKenzie

(57) **CLAIM**

The ornamental design for a camera, as shown and described.

DESCRIPTION

FIG. 1 is a front elevational view of a camera showing my new design;

FIG. 2 is a rear elevational view thereof;

FIG. 3 is a right side elevational view thereof;

FIG. 4 is a left side elevational view thereof;

FIG. 5 is a top view thereof; and,

FIG. 6 is a bottom view thereof.

1 Claim, 3 Drawing Sheets

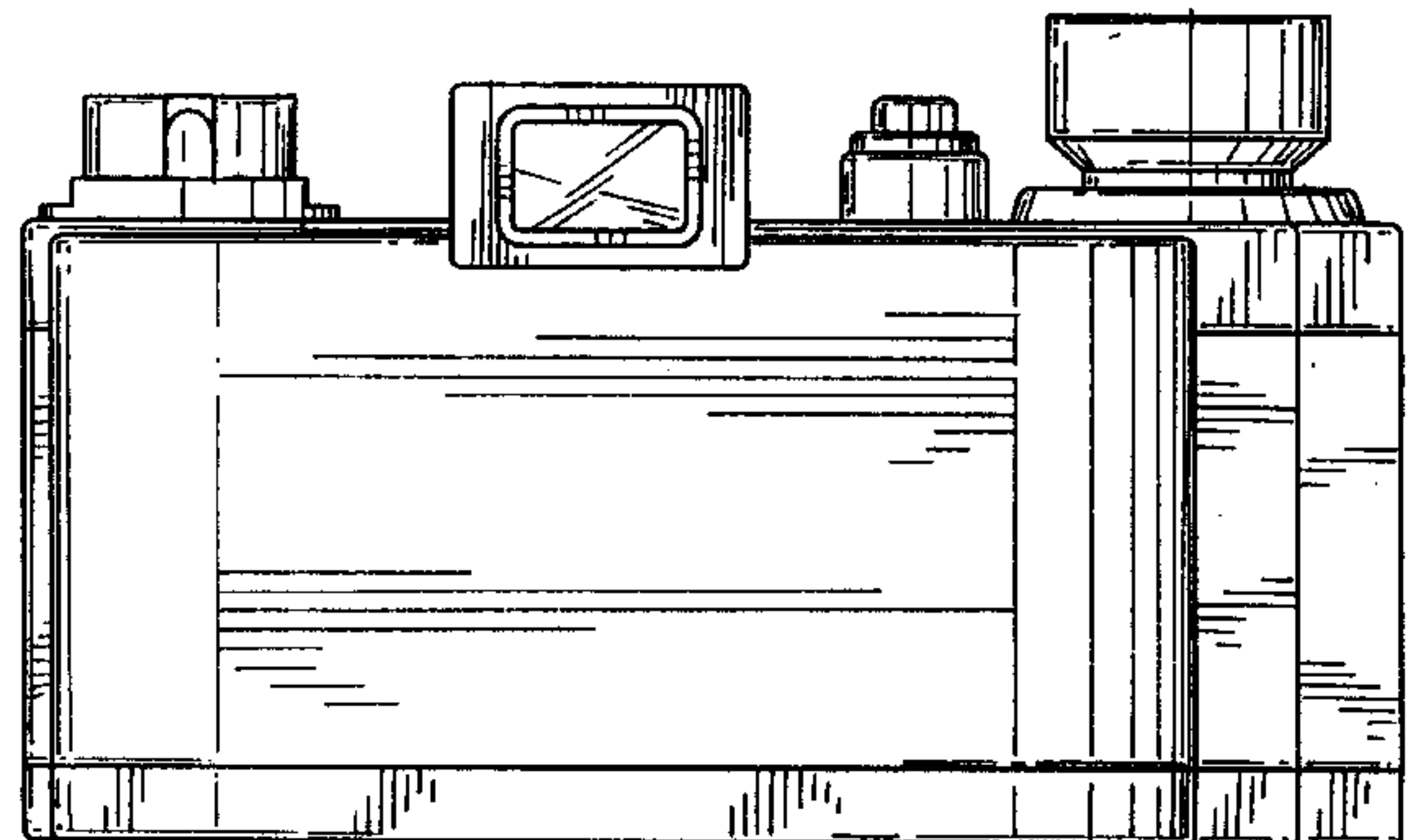
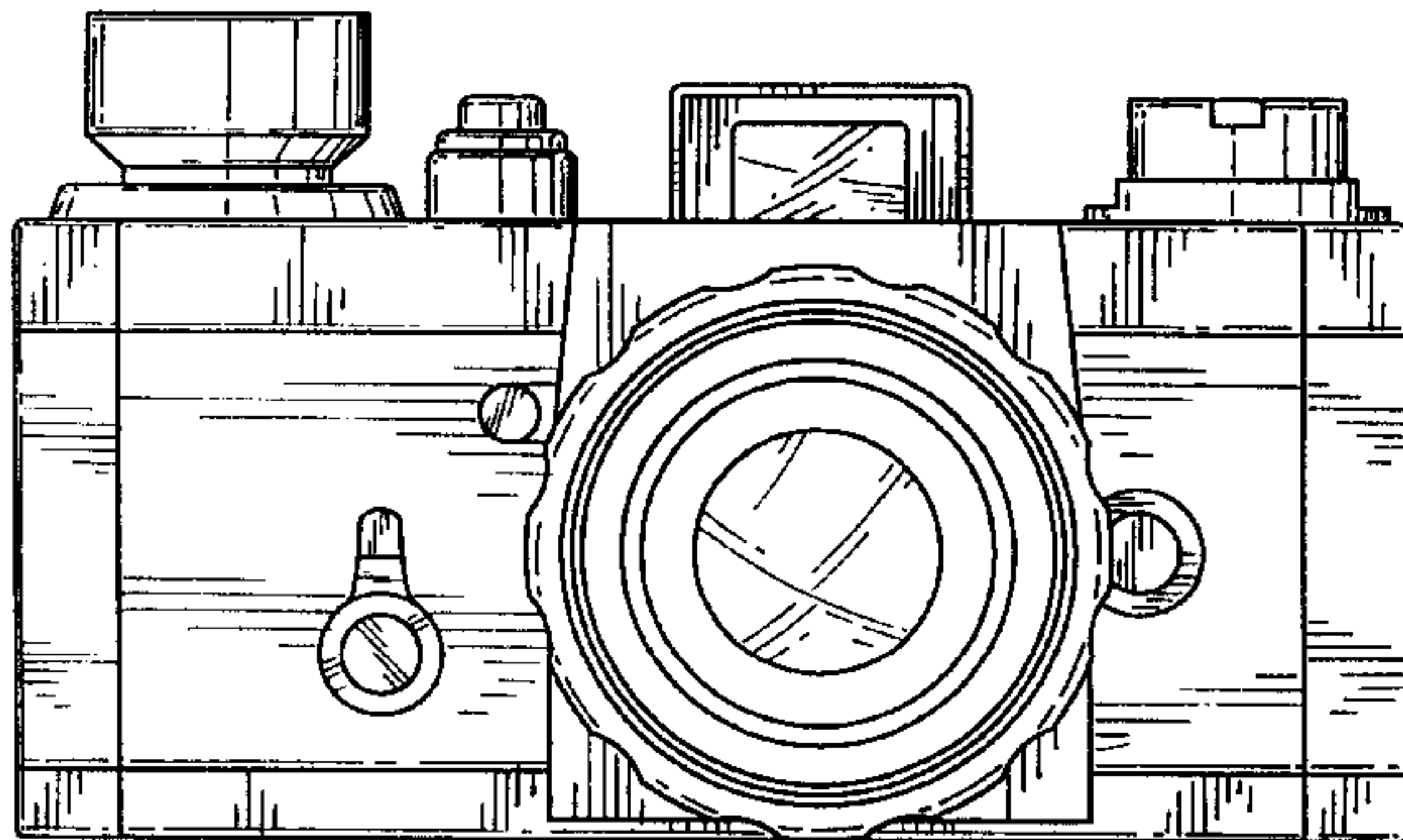


FIG. 1

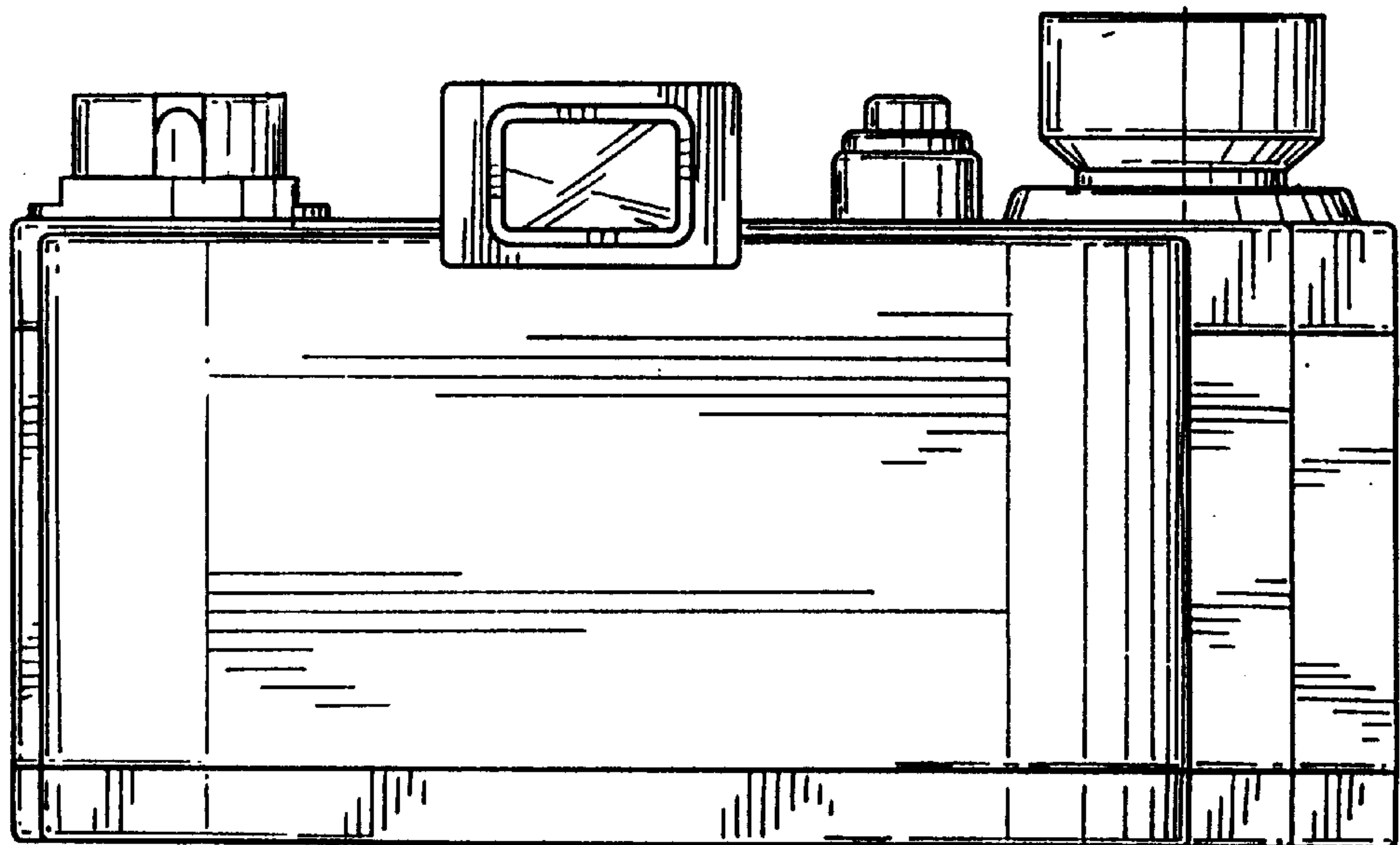
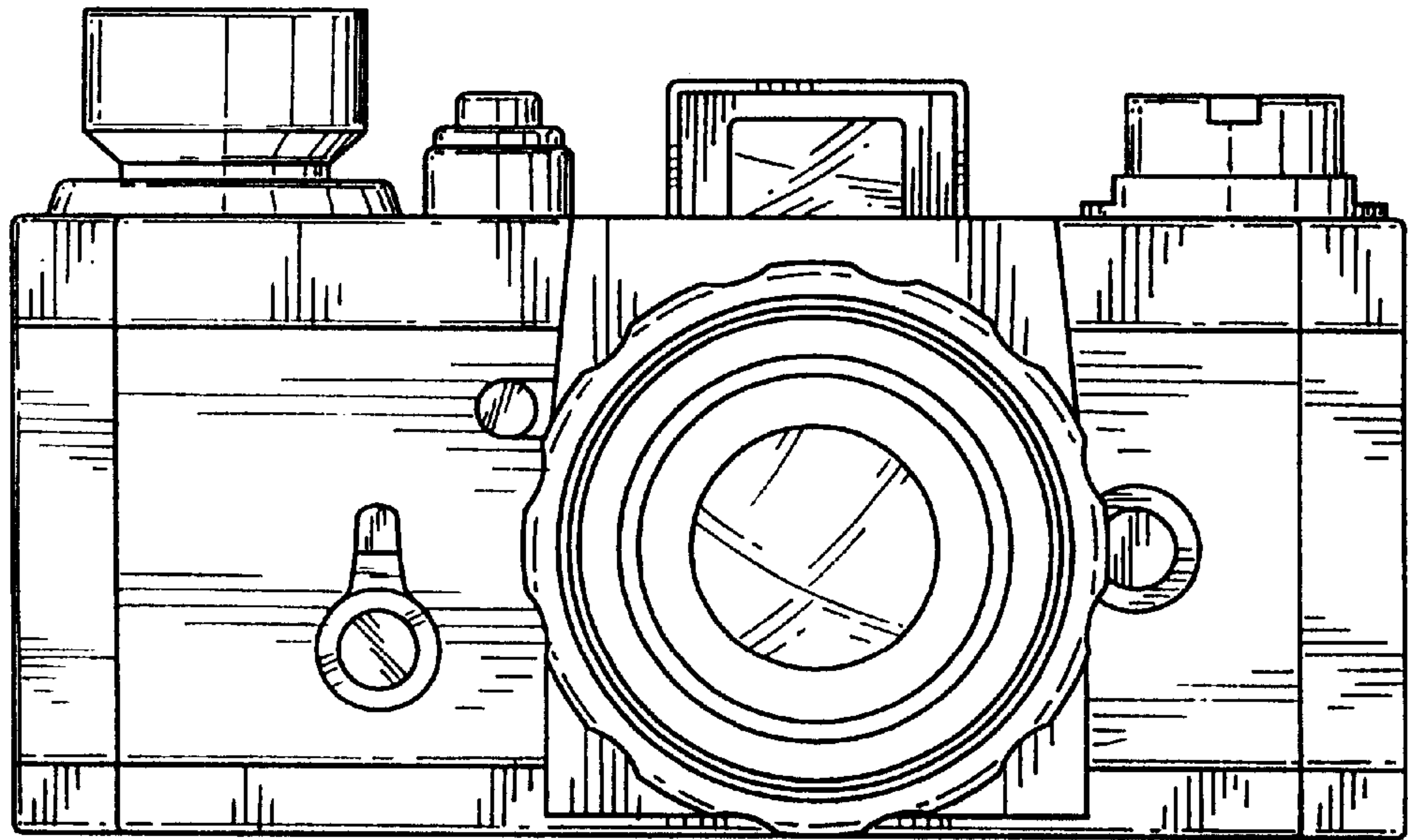


FIG. 2

FIG. 3

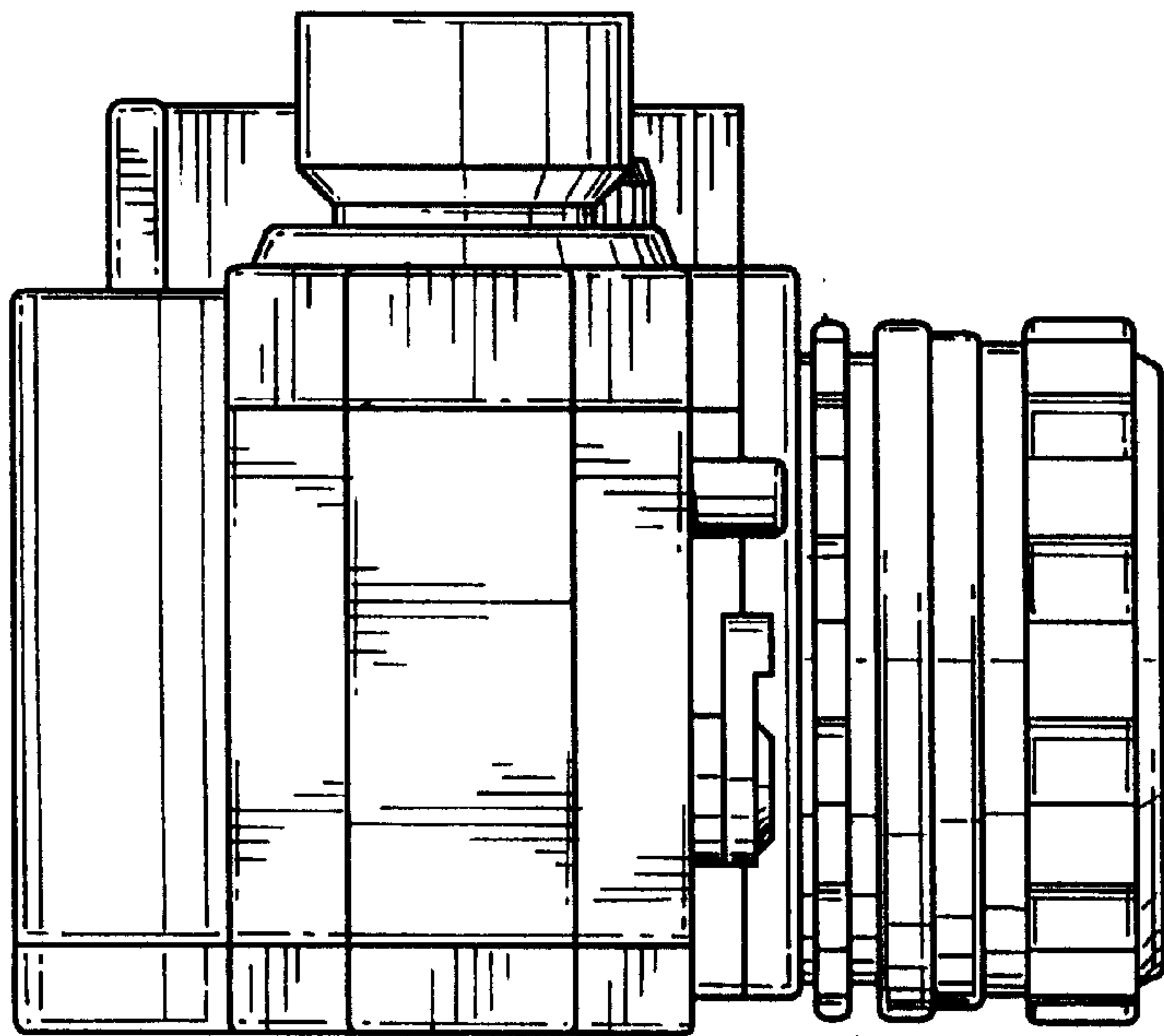
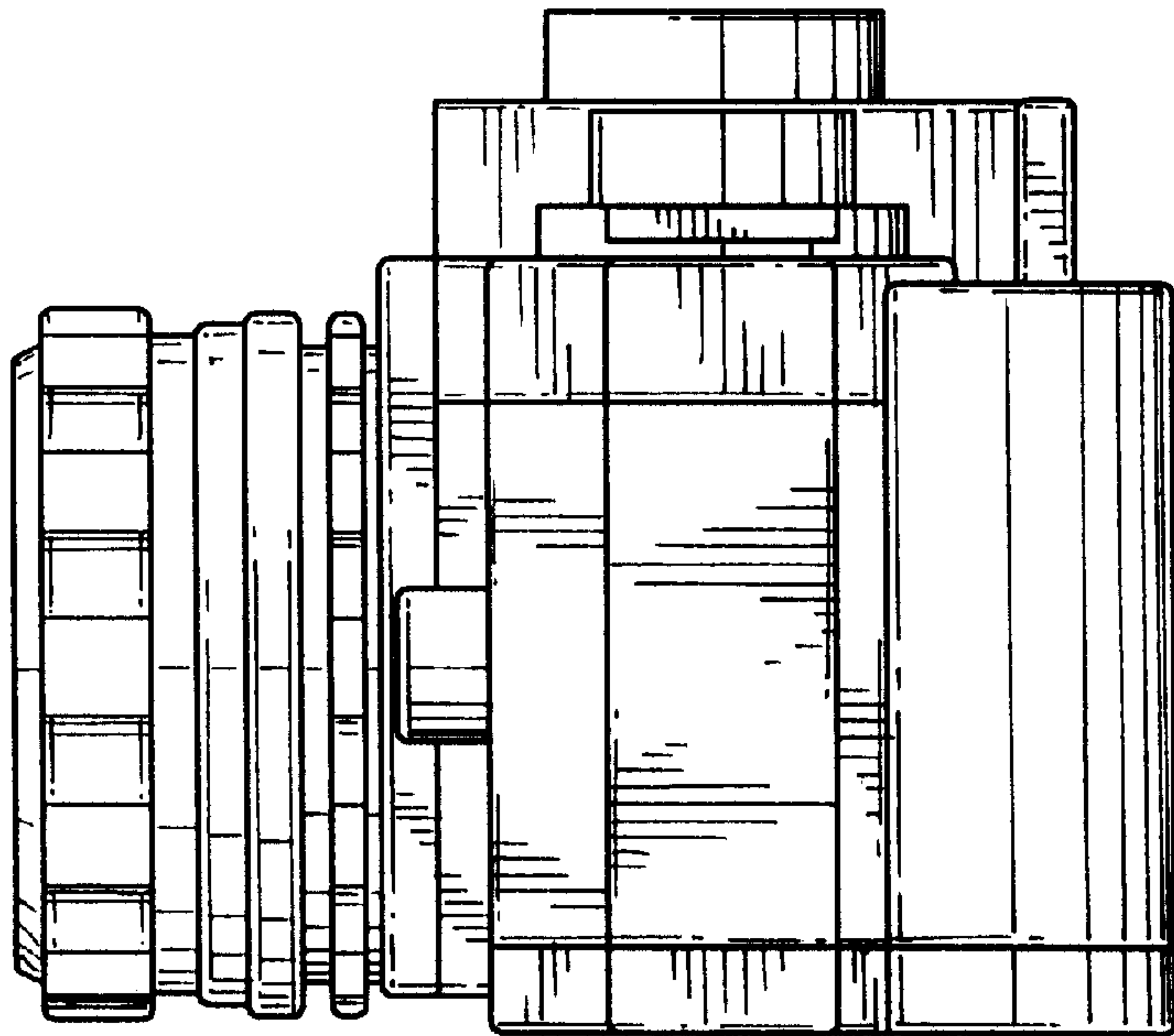


FIG. 4

FIG. 5

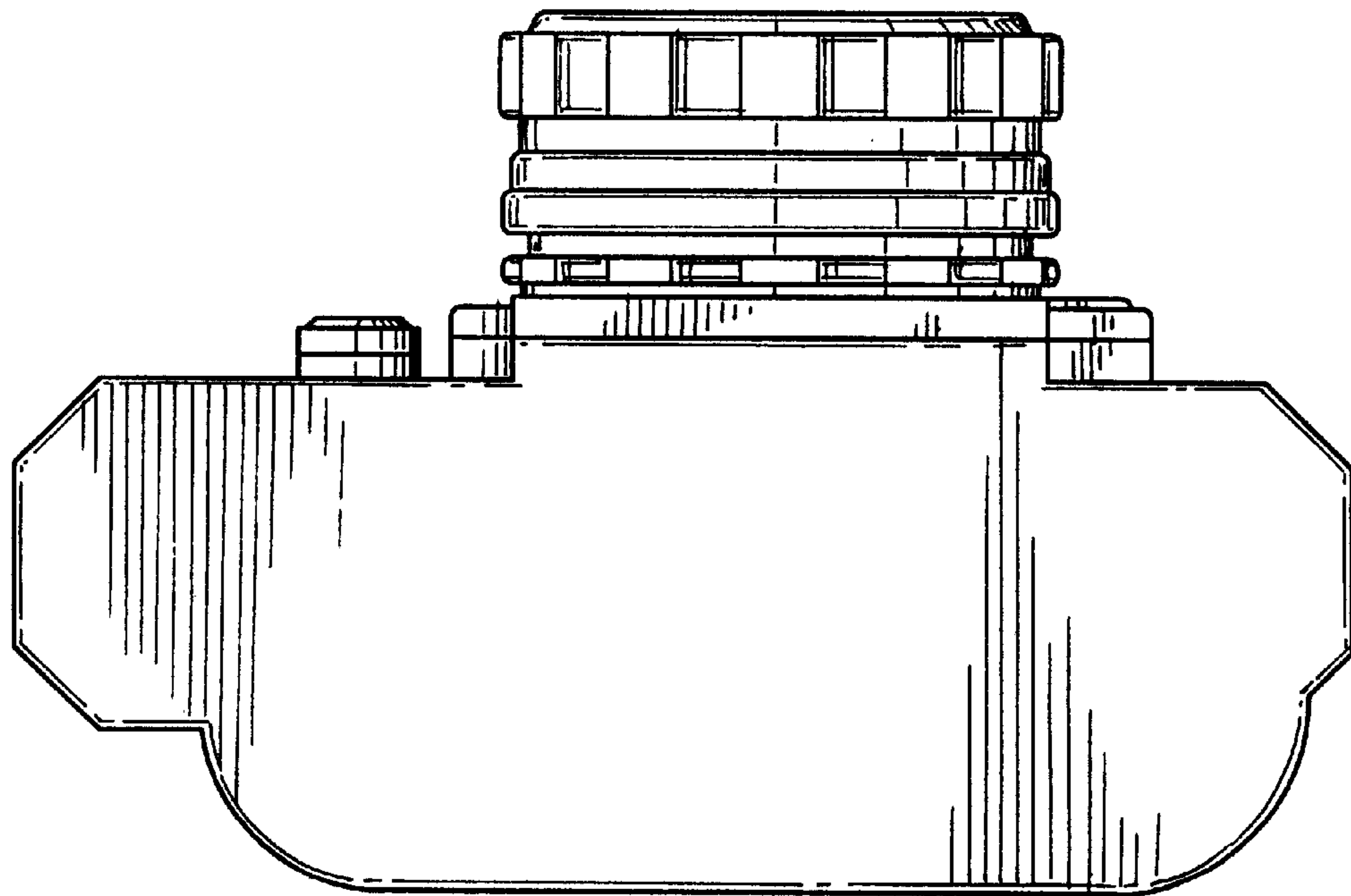
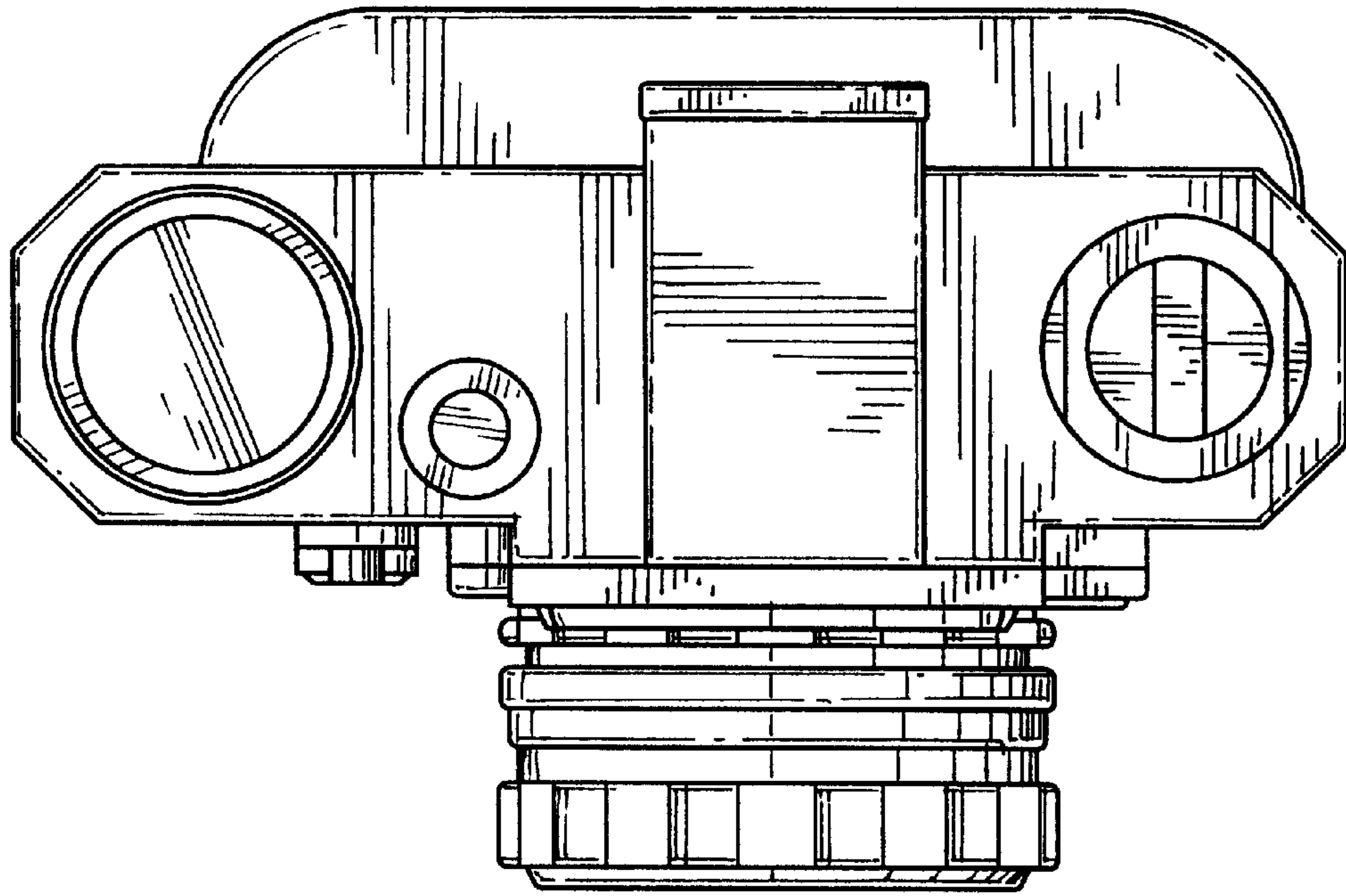


FIG. 6