



US00D444161S

(12) **United States Design Patent**
Nakamura

(10) **Patent No.:** **US D444,161 S**

(45) **Date of Patent:** **** Jun. 26, 2001**

(54) **ELECTRONIC STILL CAMERA WITH A MONITOR DISPLAY**

(75) **Inventor:** **Toshihiro Nakamura, Tokyo (JP)**

(73) **Assignee:** **Sony Corporation, Tokyo (JP)**

(**) **Term:** **14 Years**

(21) **Appl. No.:** **29/119,731**

(22) **Filed:** **Mar. 7, 2000**

(51) **LOC (7) Cl.** **16-01**

(52) **U.S. Cl.** **D16/202**

(58) **Field of Search** **D16/200-206, D16/208, 217, 218; 348/373-376; 358/909.1, 906; 396/177-178, 535-541**

(56) **References Cited**

U.S. PATENT DOCUMENTS

D. 263,240	*	3/1982	Schultes et al.	D16/209
D. 267,954	*	2/1983	Sawara	D16/209
D. 343,632	*	1/1994	Lue et al.	D16/209
D. 372,724	*	8/1996	Funato et al.	D16/217
5,107,287	*	4/1992	Swayze	396/178

OTHER PUBLICATIONS

“Video Equipment 1999,” Sony, p. 208, Jan. 1999.

“The Point Network 48,” Yodobashi Camera, cover and p. 110, Jun. 1999.

* cited by examiner

Primary Examiner—Adir Aronovich

(74) *Attorney, Agent, or Firm*—Rader, Fishman & Grauer

(57) **CLAIM**

The ornamental design for an electronic still camera with a monitor display, as shown and described.

DESCRIPTION

FIG. 1 is a perspective view of an electronic still camera with a monitor display showing my new design;

FIG. 2 is a top plan view thereof;

FIG. 3 is a bottom plan view thereof;

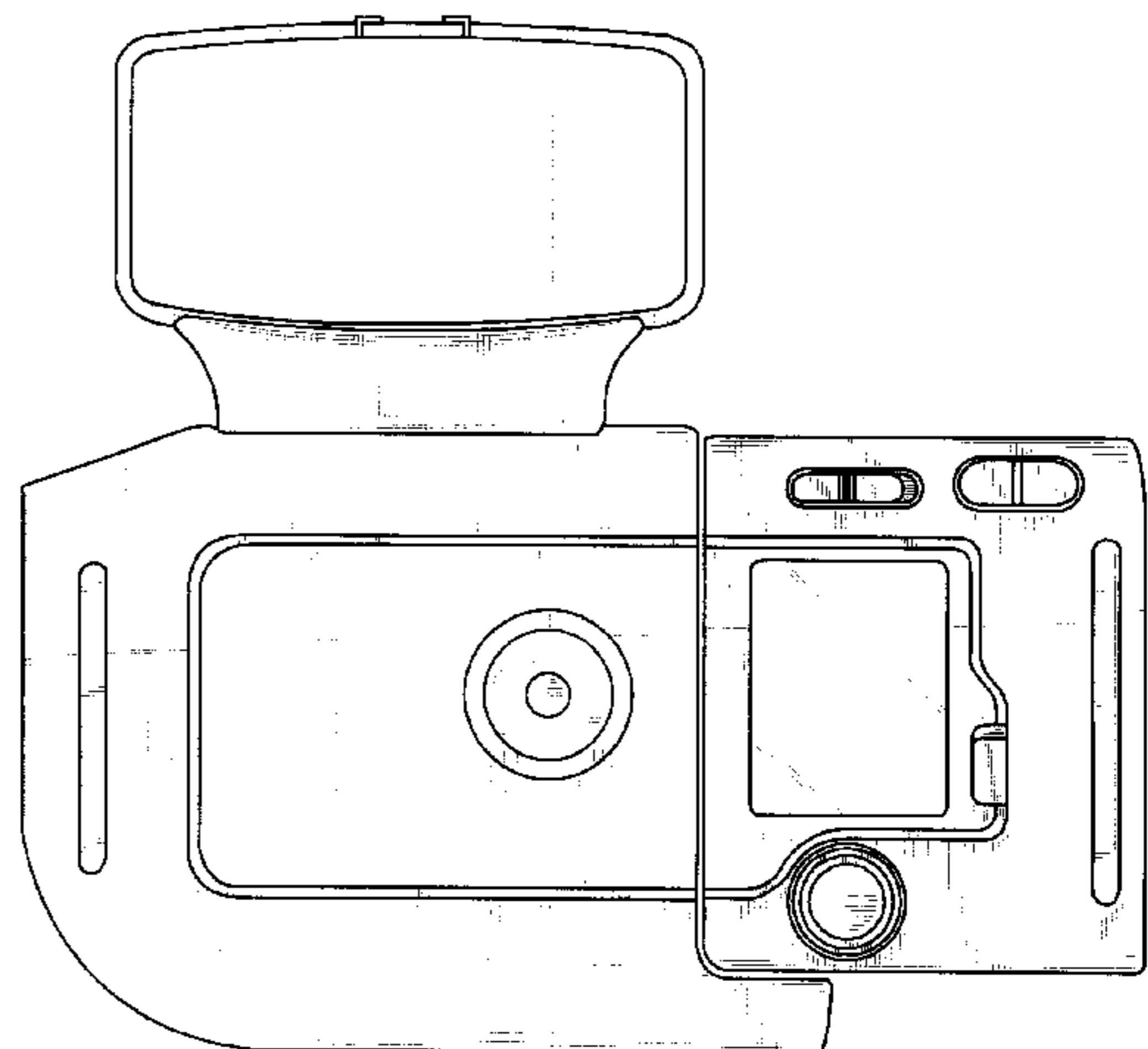
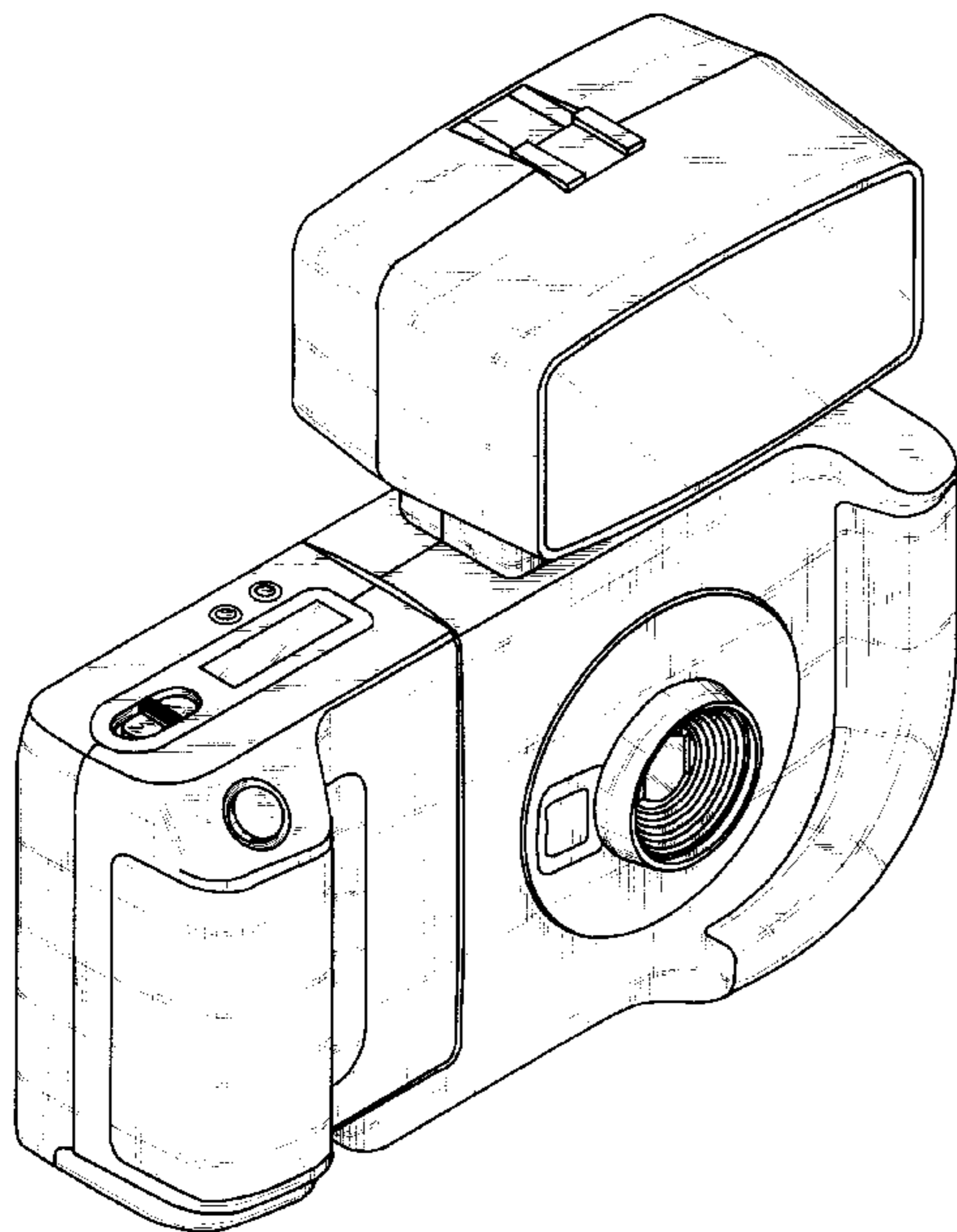
FIG. 4 is a front elevational view thereof;

FIG. 5 is a rear elevational view thereof;

FIG. 6 is a left side elevational view thereof; and,

FIG. 7 is a right side elevational view thereof.

1 Claim, 4 Drawing Sheets



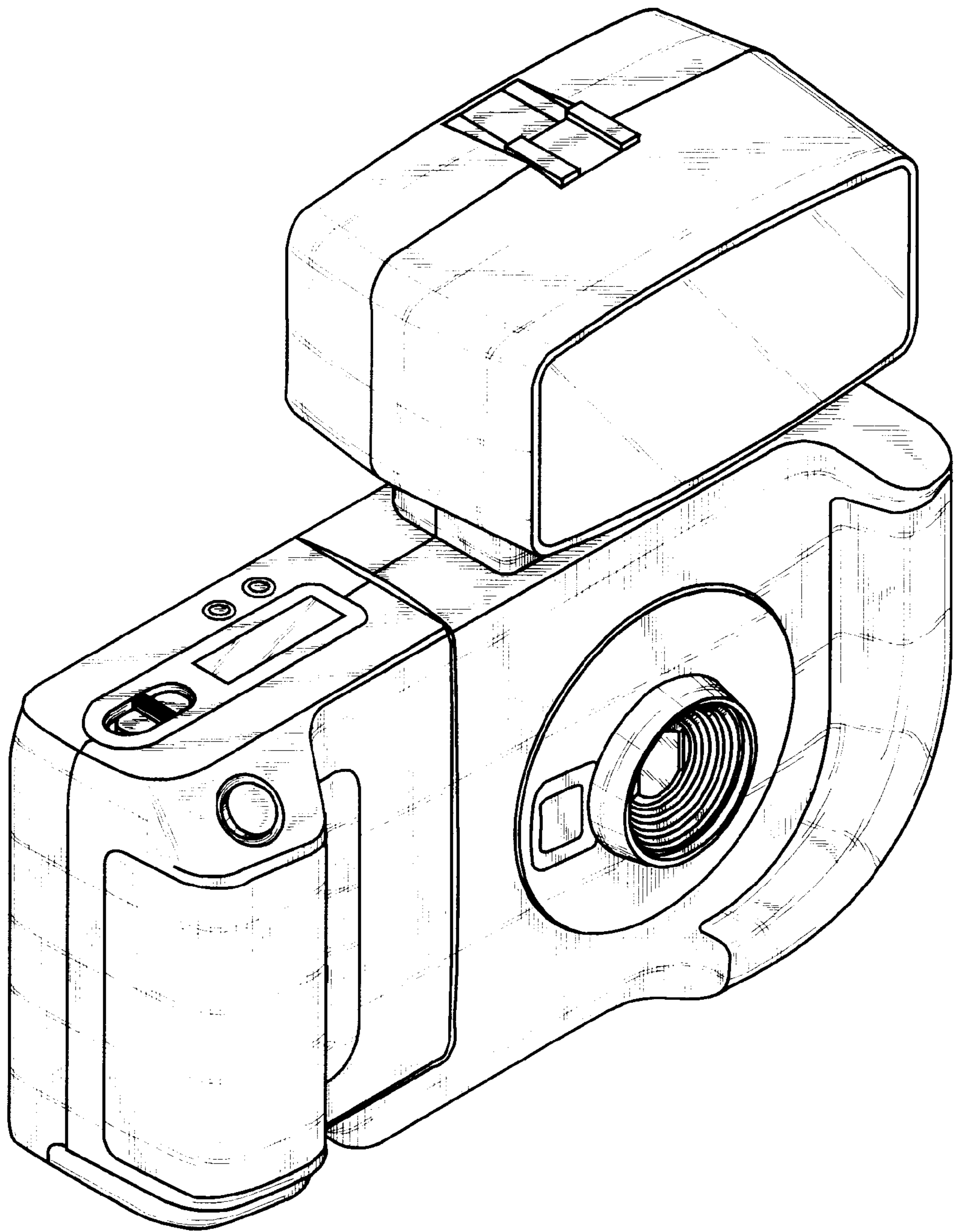


Fig. 1

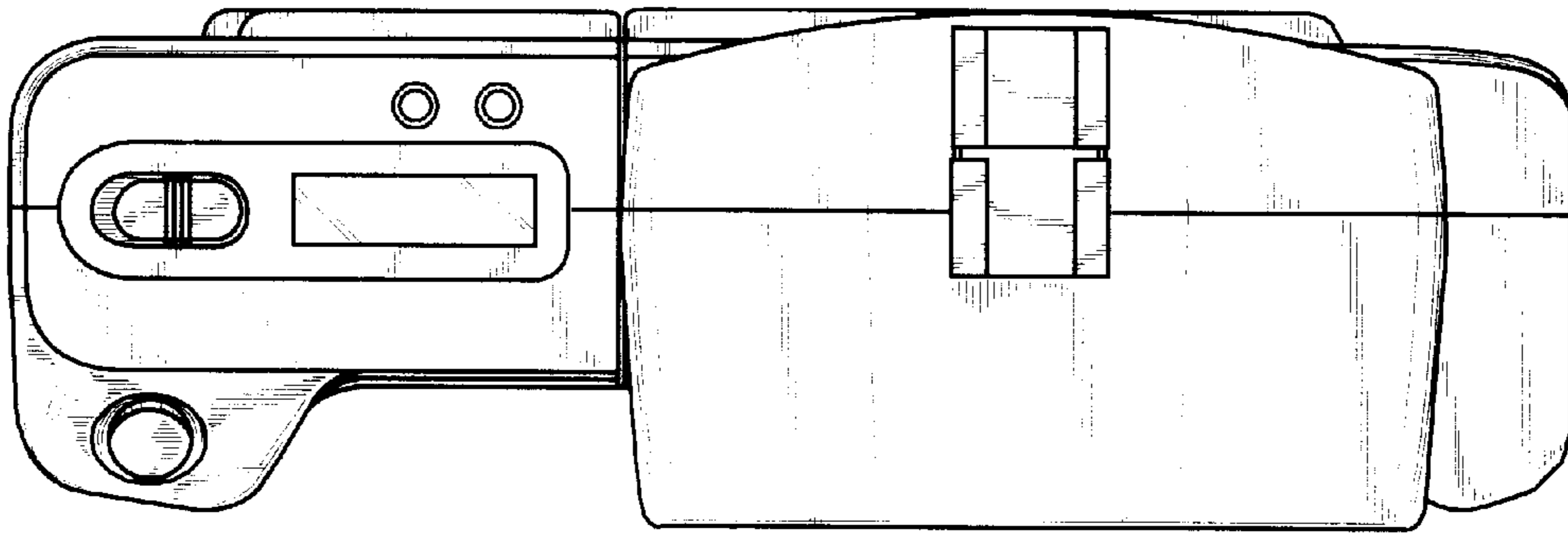


Fig. 2

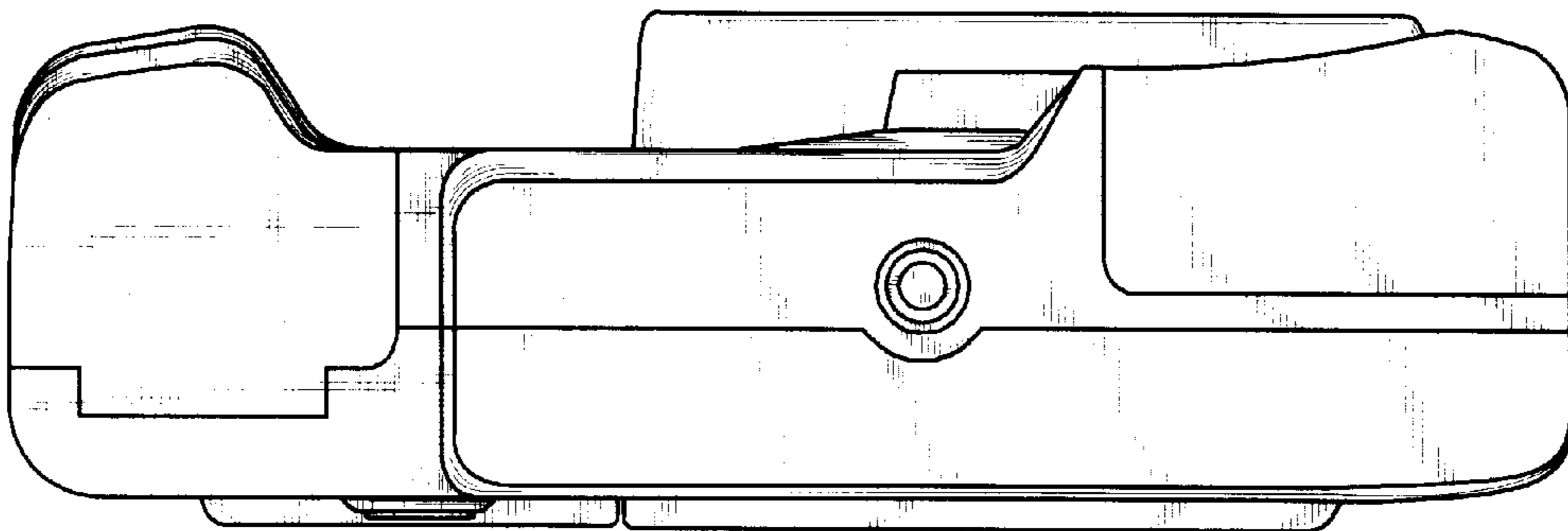


Fig. 3

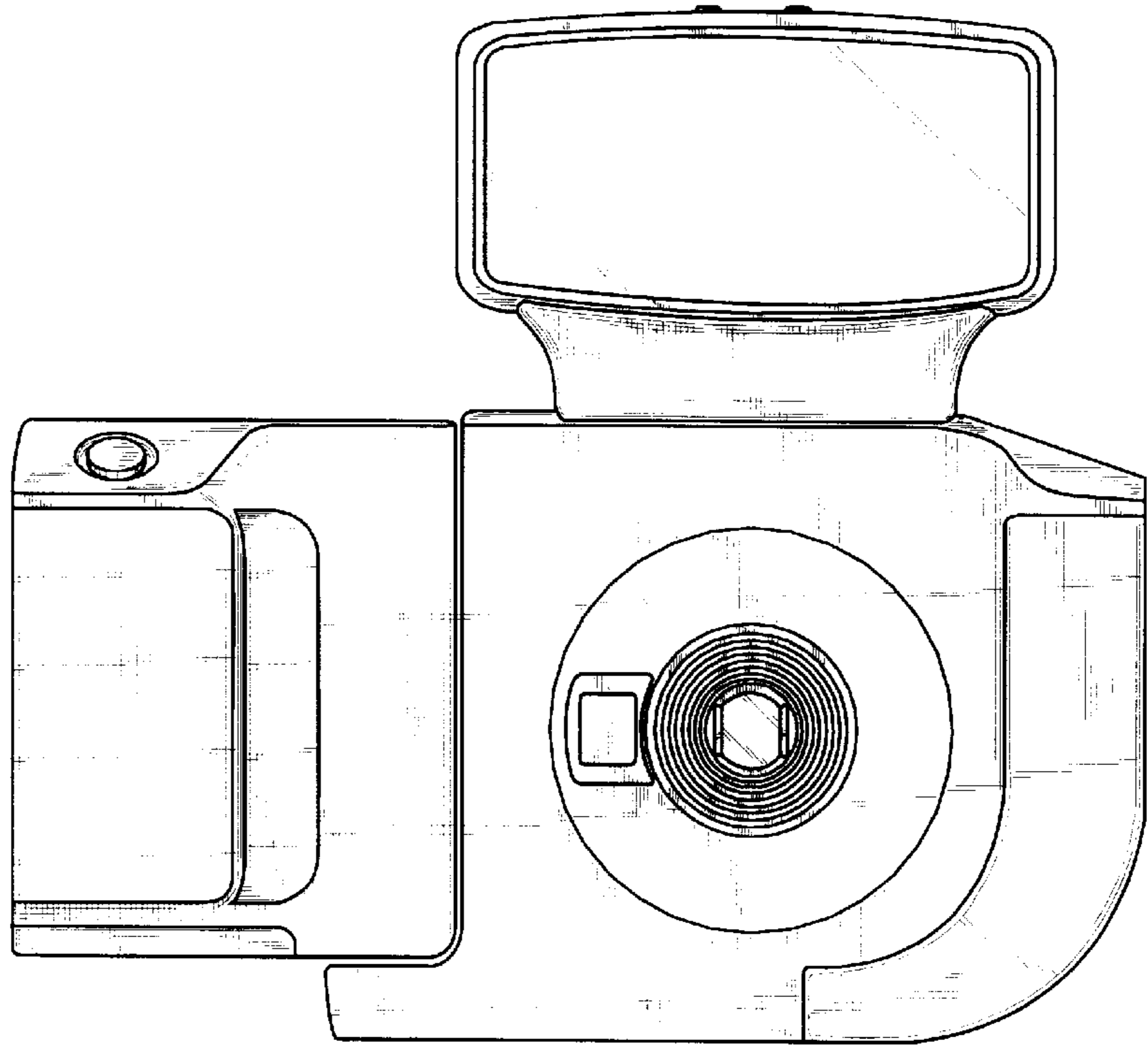


Fig. 4

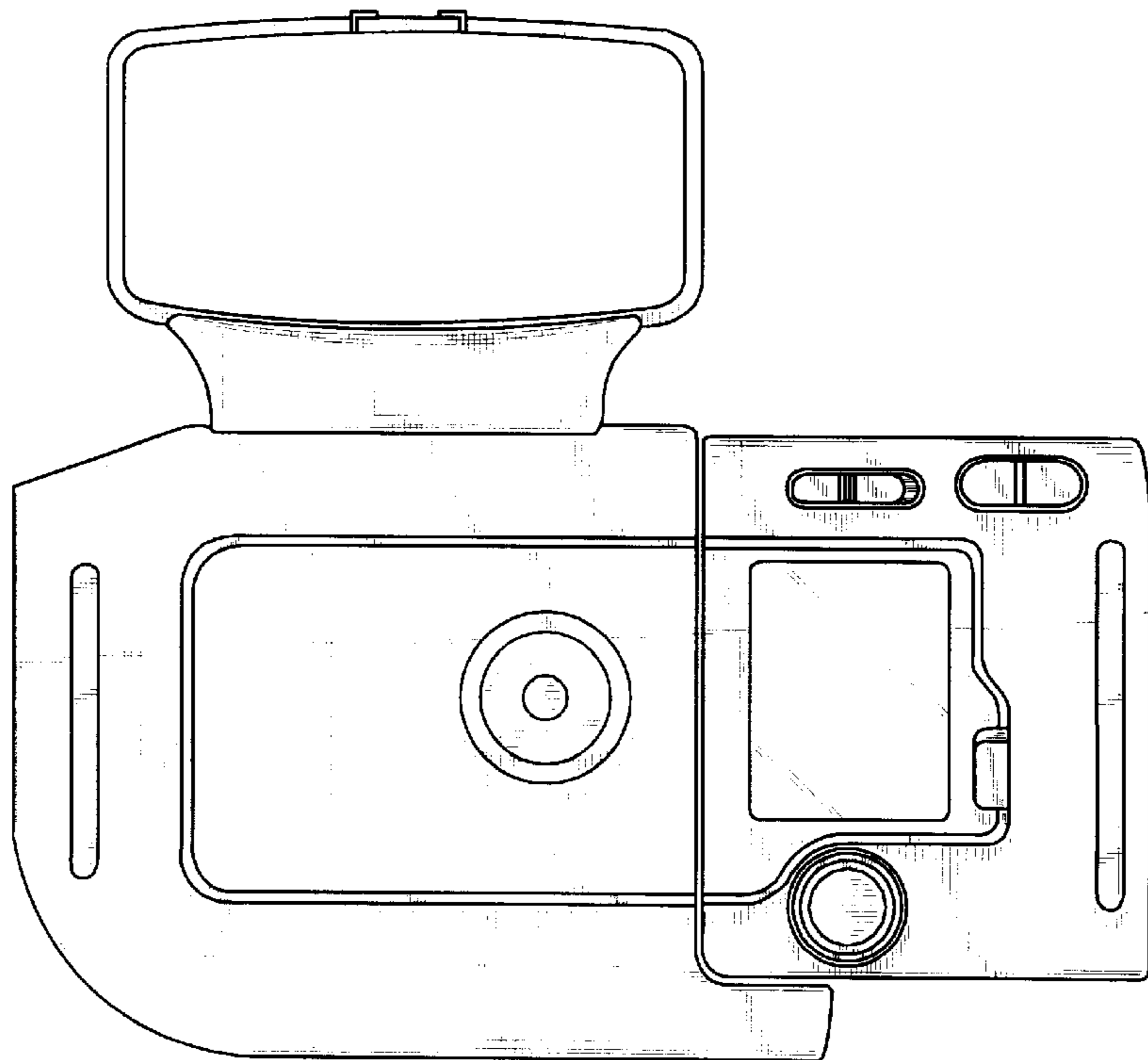


Fig. 5

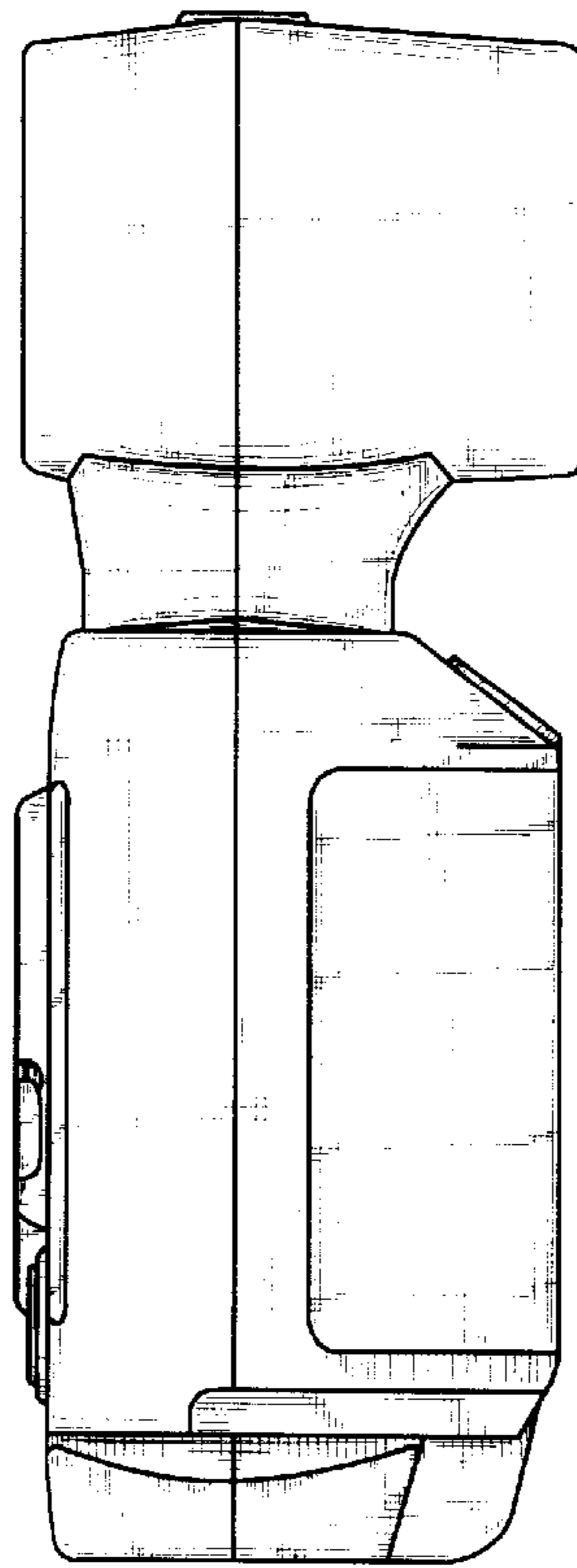


Fig. 6

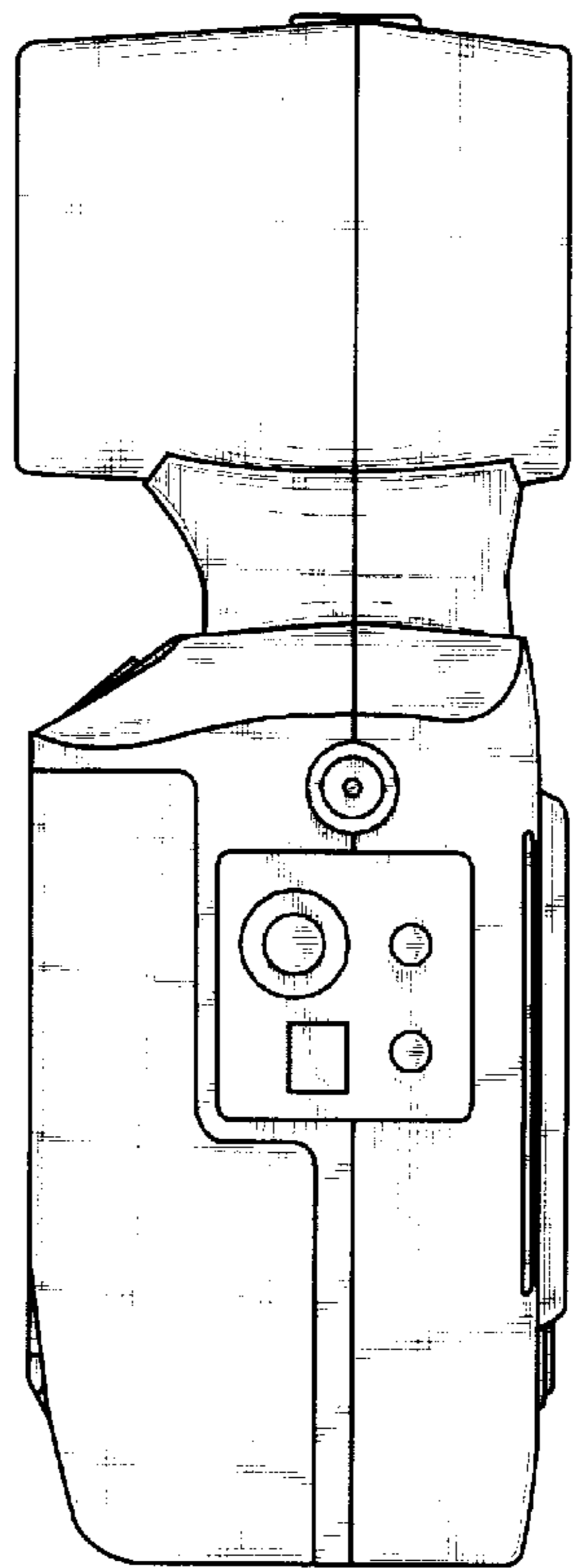


Fig. 7