



US00D444160S

(12) **United States Design Patent**
Koshibe et al.

(10) **Patent No.:** **US D444,160 S**

(45) **Date of Patent:** **** Jun. 26, 2001**

(54) **MAGNIFICATION ADJUSTING RING FOR A TELESCOPE**

(75) Inventors: **Masataro Koshibe; Kiyotaka Ishikawa**, both of Saitama (JP)

(73) Assignee: **Fuji Photo Optical Co., Ltd.**, Saitama (JP)

(**) Term: **14 Years**

(21) Appl. No.: **29/125,642**

(22) Filed: **Jun. 30, 2000**

(51) **LOC (7) Cl.** **16-06**

(52) **U.S. Cl.** **D16/132**

(58) **Field of Search** D16/130, 132;
D22/100, 108, 109, 110; 33/246, 45; 359/422,
424, 425, 399, 428

(56) **References Cited**

U.S. PATENT DOCUMENTS

D. 191,942	*	12/1961	Armbruster	D16/132
D. 197,068	*	12/1963	Maguire	D16/132
D. 225,570	*	12/1972	Burris	D16/132 X
D. 232,661	*	9/1974	Thompson et al.	D16/132
D. 235,918	*	7/1975	Huckenbeck	D16/132
D. 239,658	*	4/1976	Huckenbeck	D16/132
D. 275,495	*	9/1984	Tominaga	D16/132
D. 421,286	*	2/2000	Tucker	D22/109
3,058,391	*	10/1962	Leupold	359/422
5,180,875	*	1/1993	Berry, Jr. et al.	33/45
6,005,711	*	12/1999	Mai et al.	359/424

OTHER PUBLICATIONS

Catalogue by Leupold & Stevens, Inc., "Leupold [2000]", pp. 1-46.

Catalogue by BSA, "Sport & Recreational Optics", pp. 1-16.

* cited by examiner

Primary Examiner—Paula A. Mortimer
(74) *Attorney, Agent, or Firm*—Young & Thompson

(57) **CLAIM**

The ornamental design for a magnification adjusting ring for a telescope, as shown and described.

DESCRIPTION

FIG. 1 is a front perspective view of a magnification adjusting ring for a telescope, showing our new design, the telescope with which it is intended to be used being shown in broken line and not comprising a part of the present invention;

FIG. 2 is a side elevational view thereof;

FIG. 3 is a side elevational view thereof from the side opposite that shown in FIG. 2;

FIG. 4 is a view thereof from the top of FIG. 2;

FIG. 5 is a view thereof from the bottom of FIG. 2;

FIG. 6 is an end elevational view thereof from the left of FIG. 2; and

FIG. 7 is an end elevational view thereof from the right of FIG. 2.

FIG. 8 is a front perspective view of a second embodiment of a magnification adjusting ring for a telescope showing our new design, the broken line showing of the telescope is for illustrative purposes only and forms no part of the claimed design;

FIG. 9 is a side elevational view thereof;

FIG. 10 is an opposite side elevational view thereof;

FIG. 11 is a top plan view thereof;

FIG. 12 is a bottom plan view thereof;

FIG. 13 is an end elevational view thereof; and,

FIG. 14 is an opposite end elevational view thereof.

1 Claim, 6 Drawing Sheets

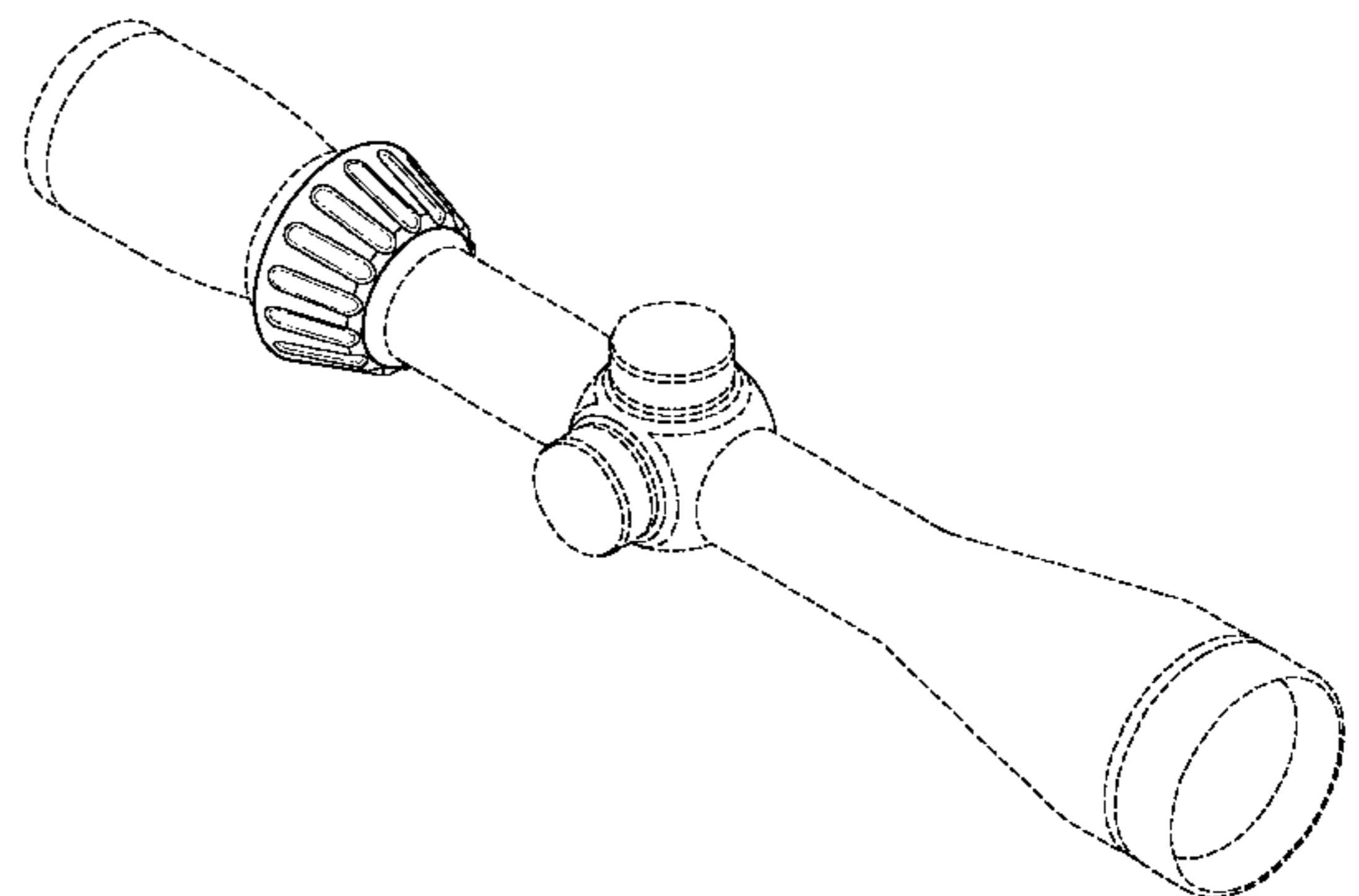
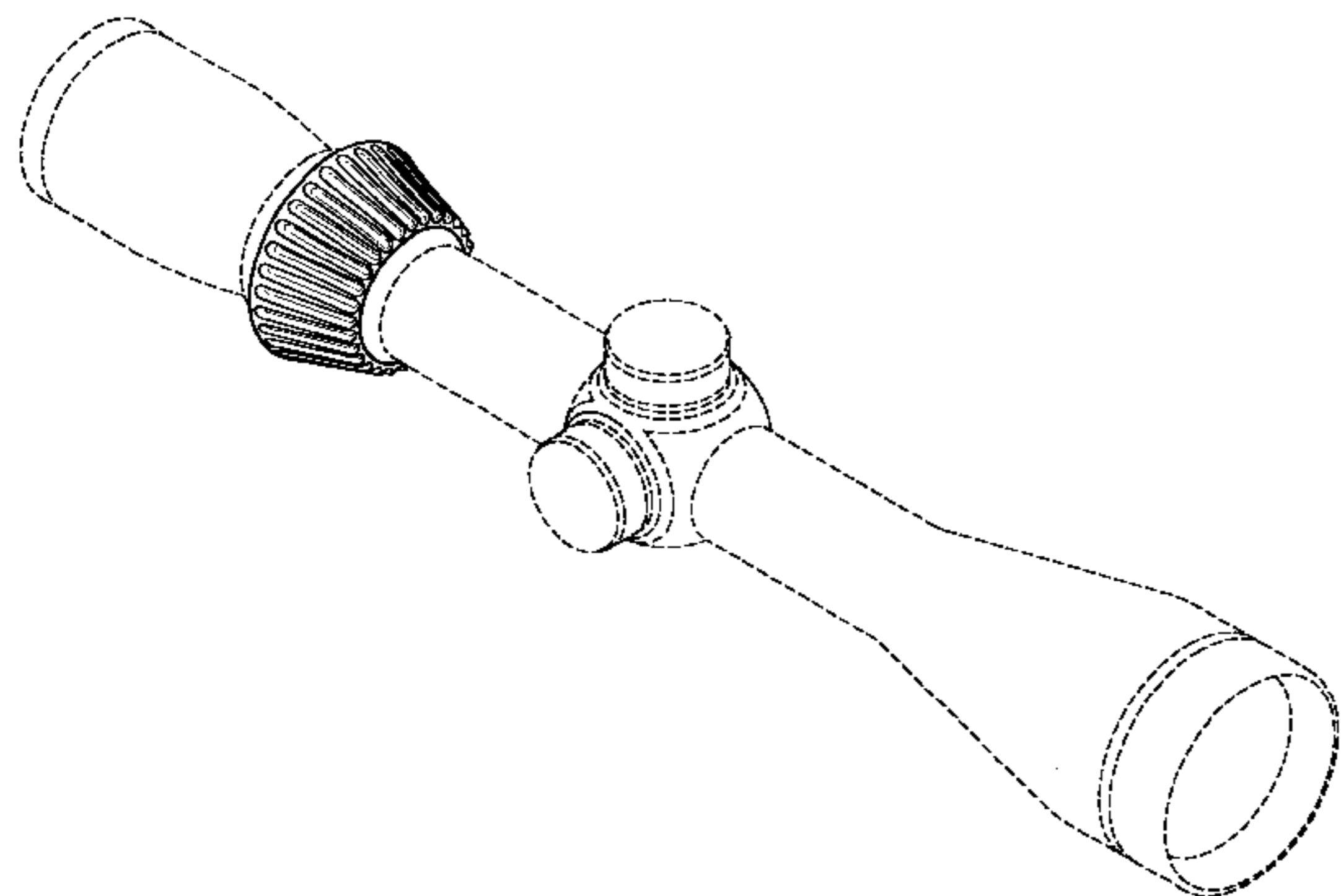


FIG. 1

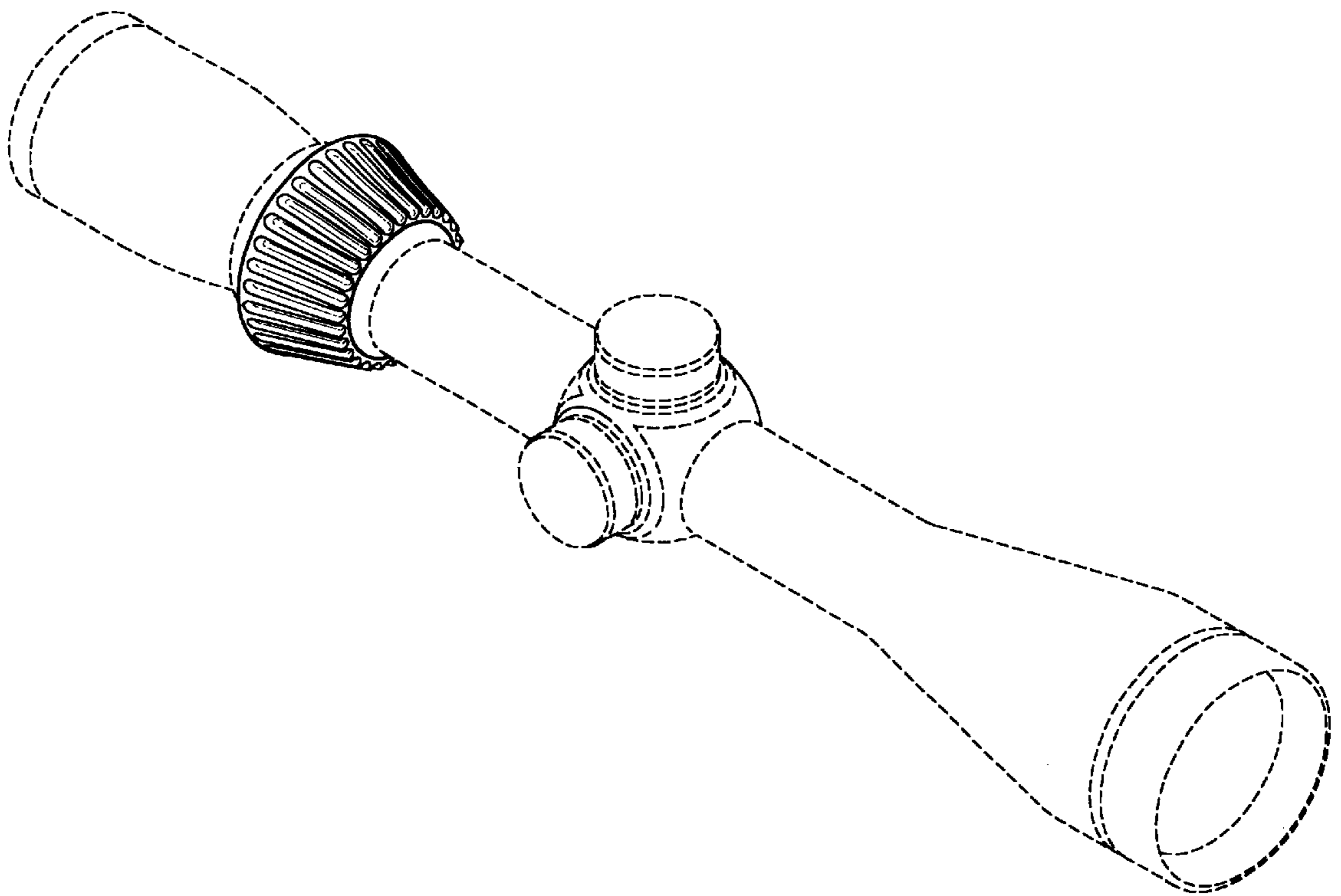


FIG. 2

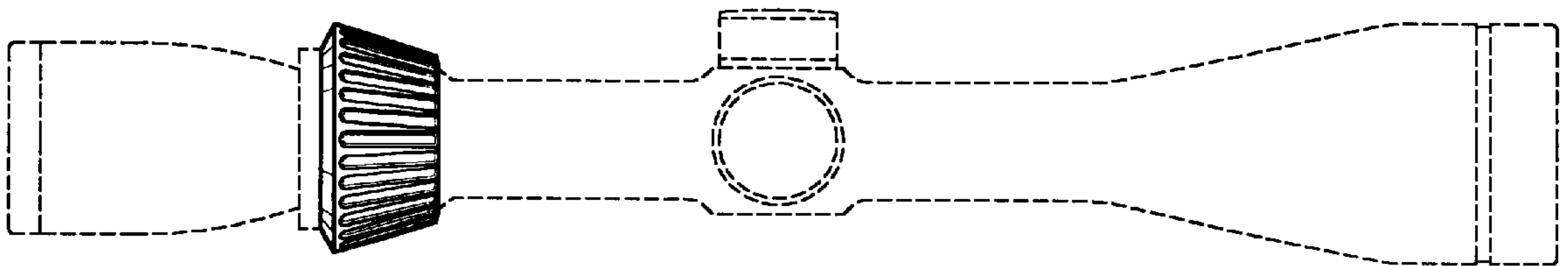


FIG. 3

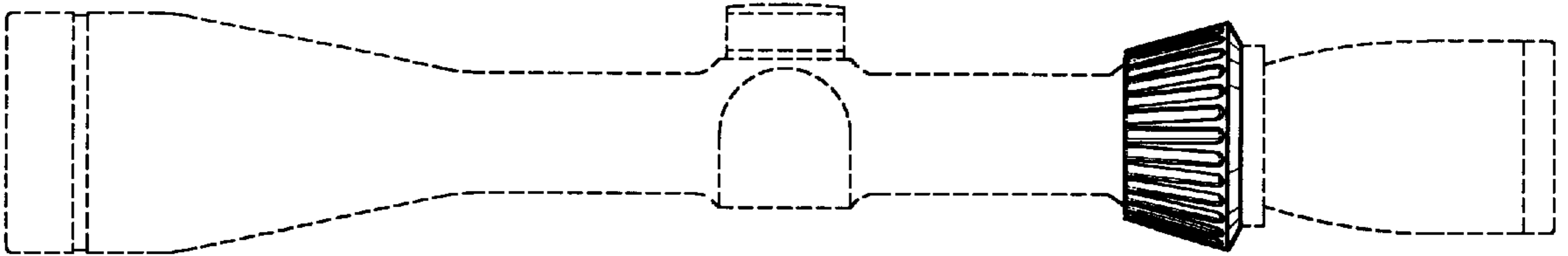
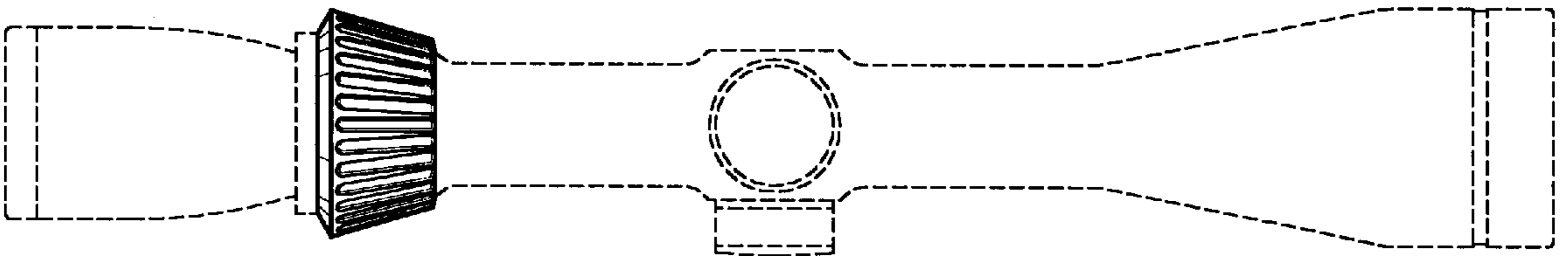
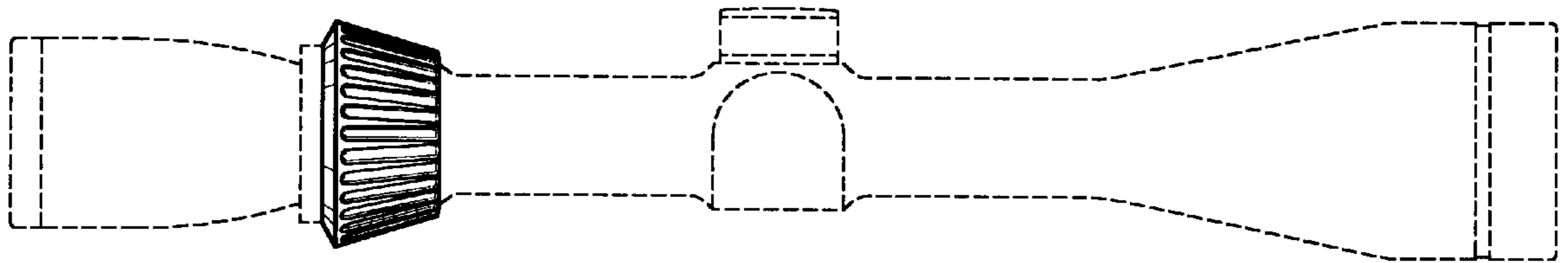


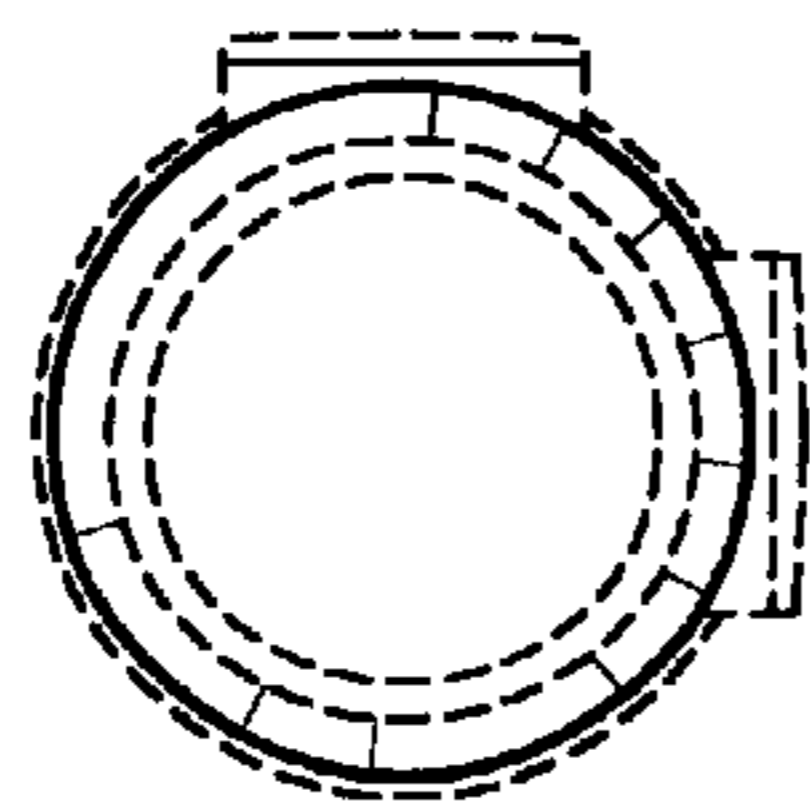
FIG. 4



F I G . 5



F I G . 6



F I G . 7

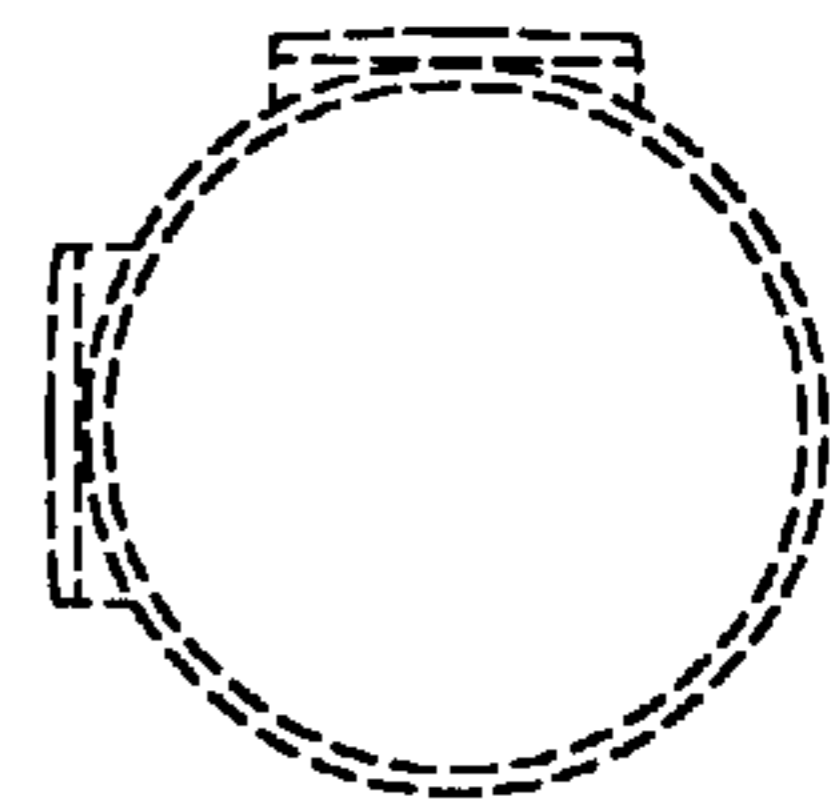


FIG. 8

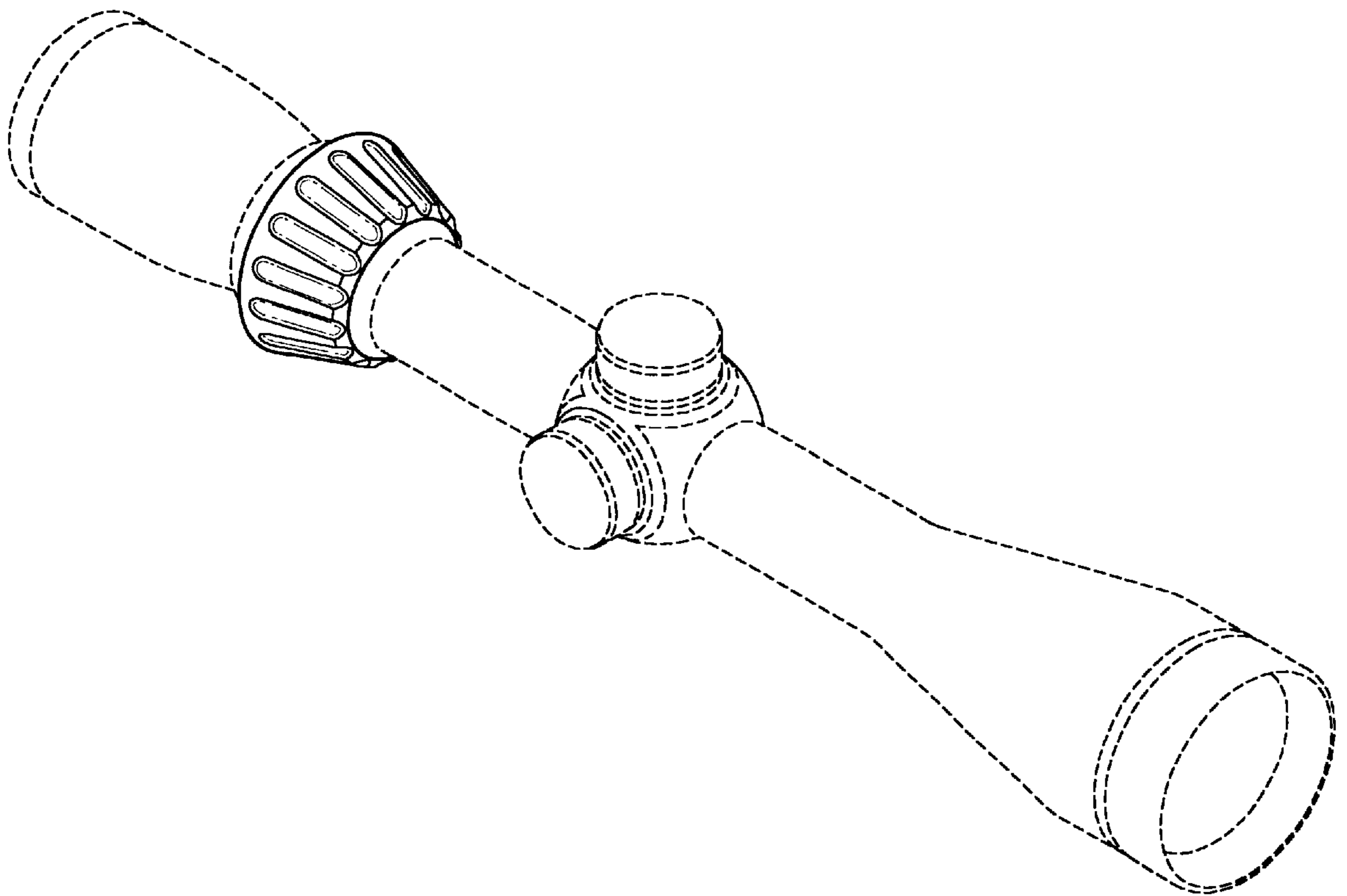


FIG. 9

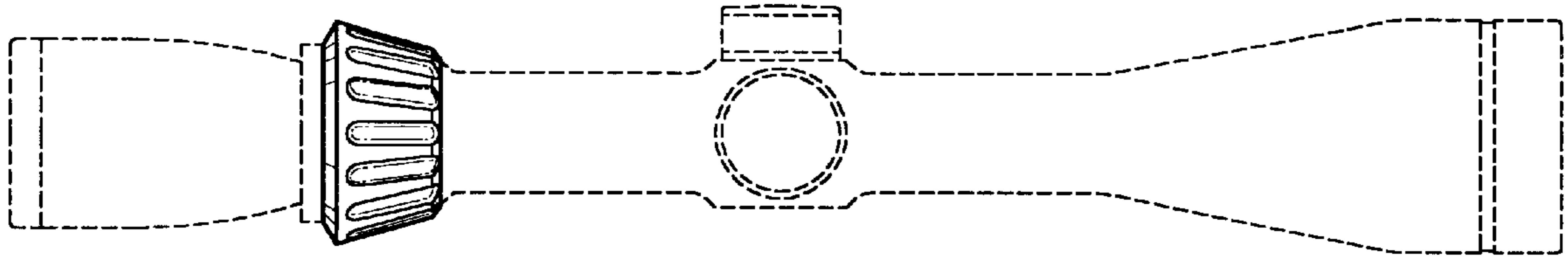


FIG. 10

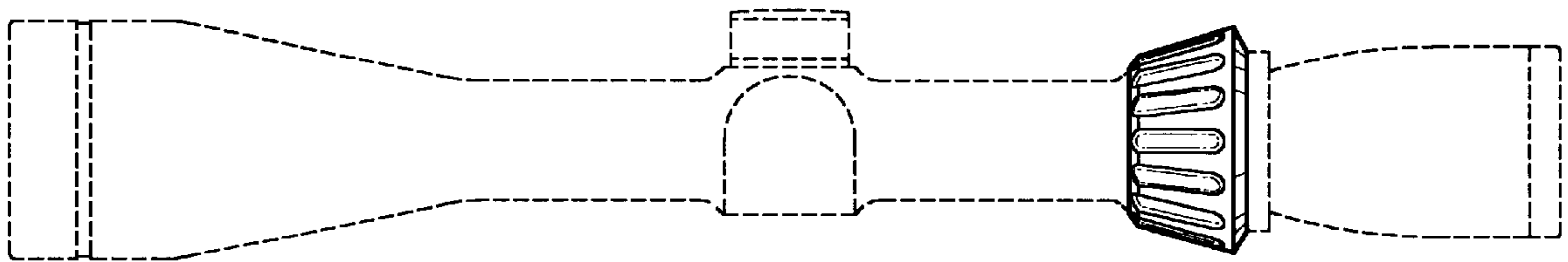
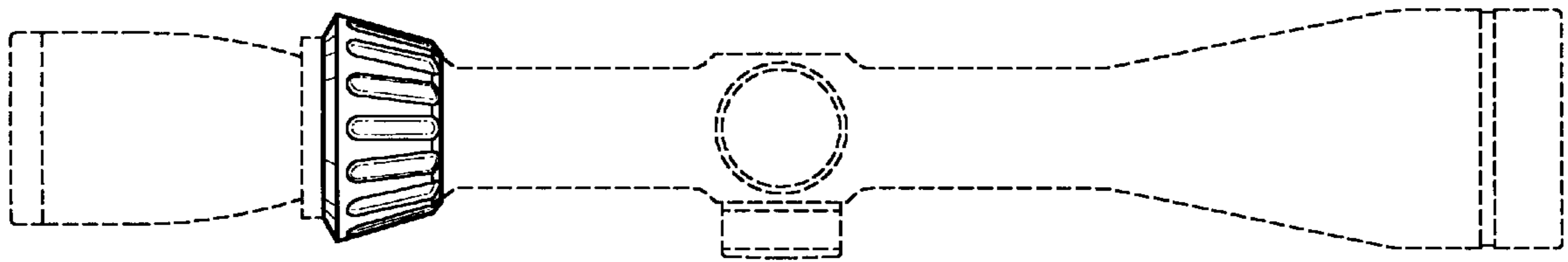
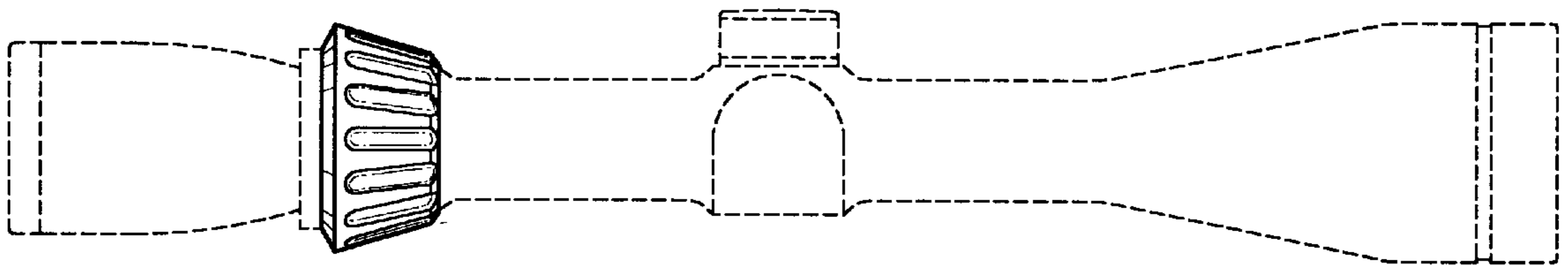


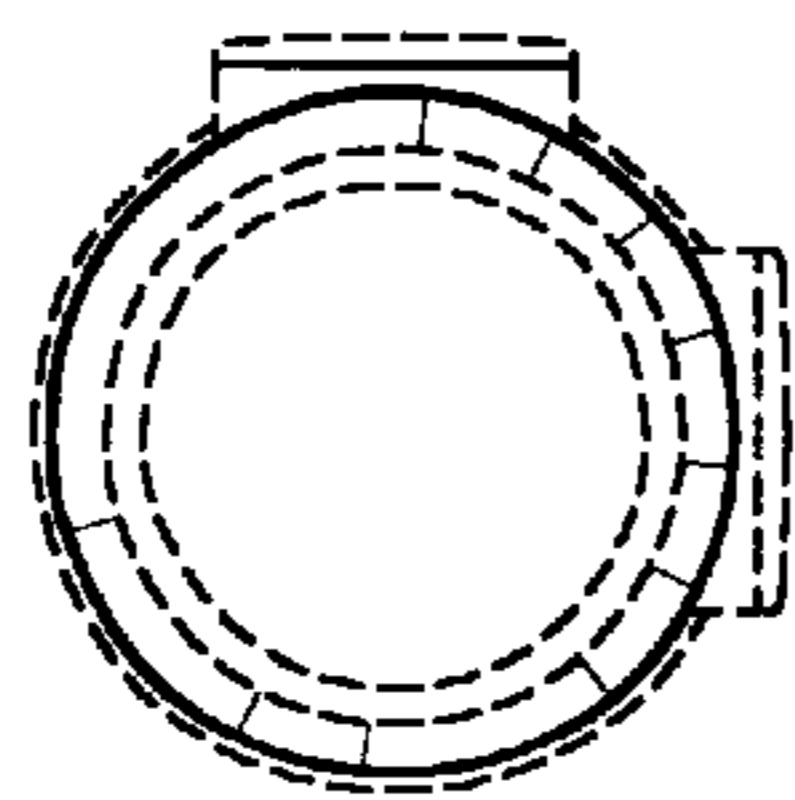
FIG. 11



F I G . 1 2



F I G . 1 3



F I G . 1 4

