



US00D444159S

(12) **United States Design Patent**
Hoelbl et al.

(10) **Patent No.:** **US D444,159 S**

(45) **Date of Patent:** **** *Jun. 26, 2001**

(54) **MICROSCOPE STAND**

(75) Inventors: **Werner Hoelbl, Vienna (AT); Scott W. Parks, E. Amherst, NY (US)**

(73) Assignee: **Leica Microsystems Inc., Depew, NY (US)**

(*) Notice: This patent is subject to a terminal disclaimer.

(**) Term: **14 Years**

(21) Appl. No.: **29/120,833**

(22) Filed: **Mar. 27, 2000**

(51) **LOC (7) Cl.** **16-06**

(52) **U.S. Cl.** **D16/131**

(58) **Field of Search** D16/130, 131,
D16/134; 359/368, 376, 383, 384, 385,
390, 393

(56) **References Cited**

U.S. PATENT DOCUMENTS

- D. 260,402 * 8/1981 Hodgson D16/131
- D. 345,748 * 4/1994 Hölbl D16/131

- D. 389,163 * 1/1998 Hofmann-Igl D16/131
- D. 400,548 * 11/1998 Komatsuzaki D16/131
- D. 425,921 * 5/2000 Hölbl et al. D16/131
- D. 429,265 * 8/2000 Hölbl et al. D16/131

* cited by examiner

Primary Examiner—Paula A. Mortimer

(74) *Attorney, Agent, or Firm*—Simpson, Simpson & Snyder, L.L.P.

(57) **CLAIM**

The ornamental design for a microscope stand, as shown and described.

DESCRIPTION

FIG. 1 is a perspective view of a microscope stand showing our new design;

FIG. 2 is a left side elevational view thereof;

FIG. 3 is a right side elevational view thereof;

FIG. 4 is a front elevational view thereof;

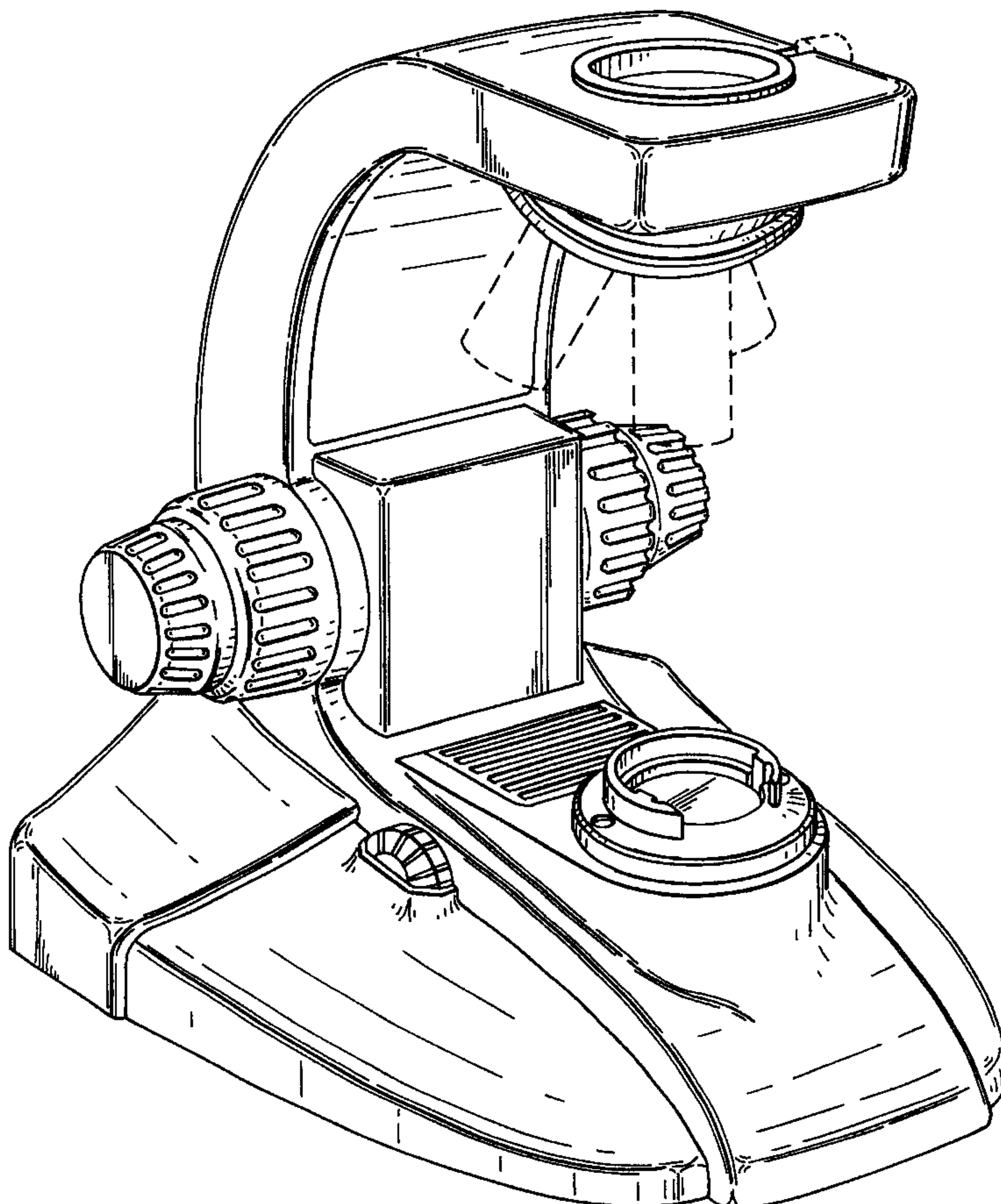
FIG. 5 is a rear elevational view thereof;

FIG. 6 is a bottom plan view thereof; and,

FIG. 7 is a top plan view thereof.

In the Figures, the broken lines are for illustrative purposes only and form no part of the claimed invention.

1 Claim, 5 Drawing Sheets



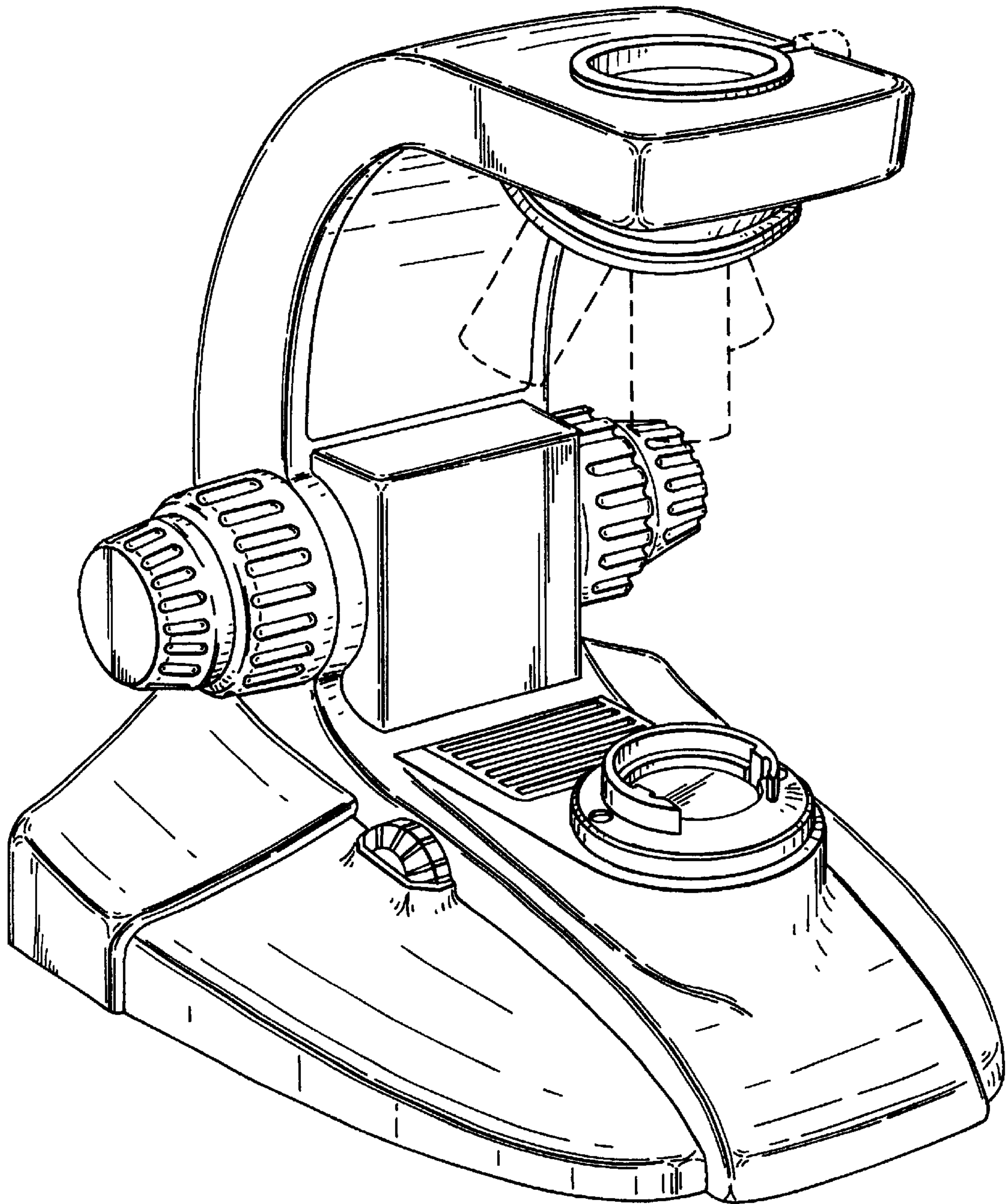


FIG. 1

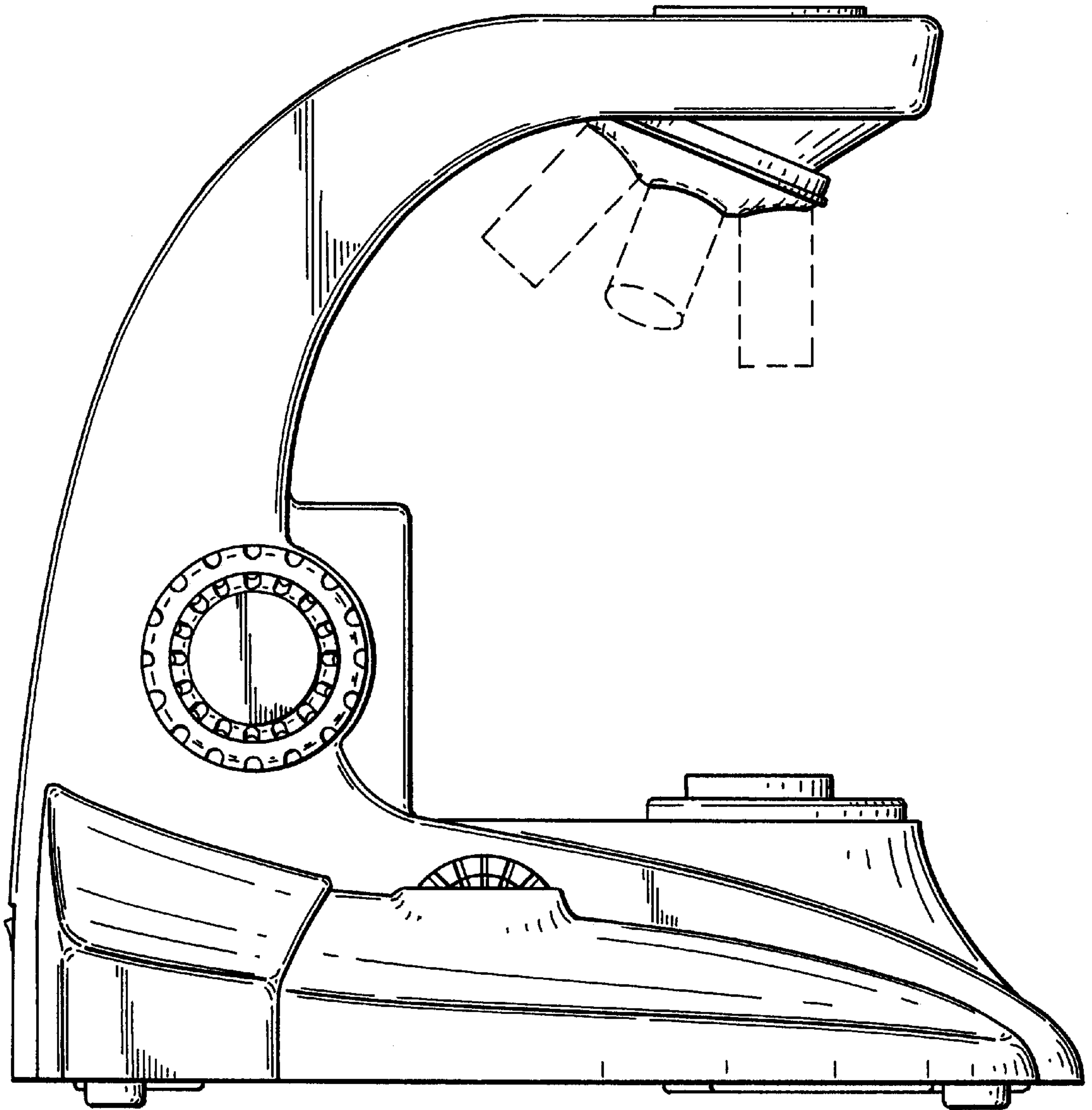


FIG. 2

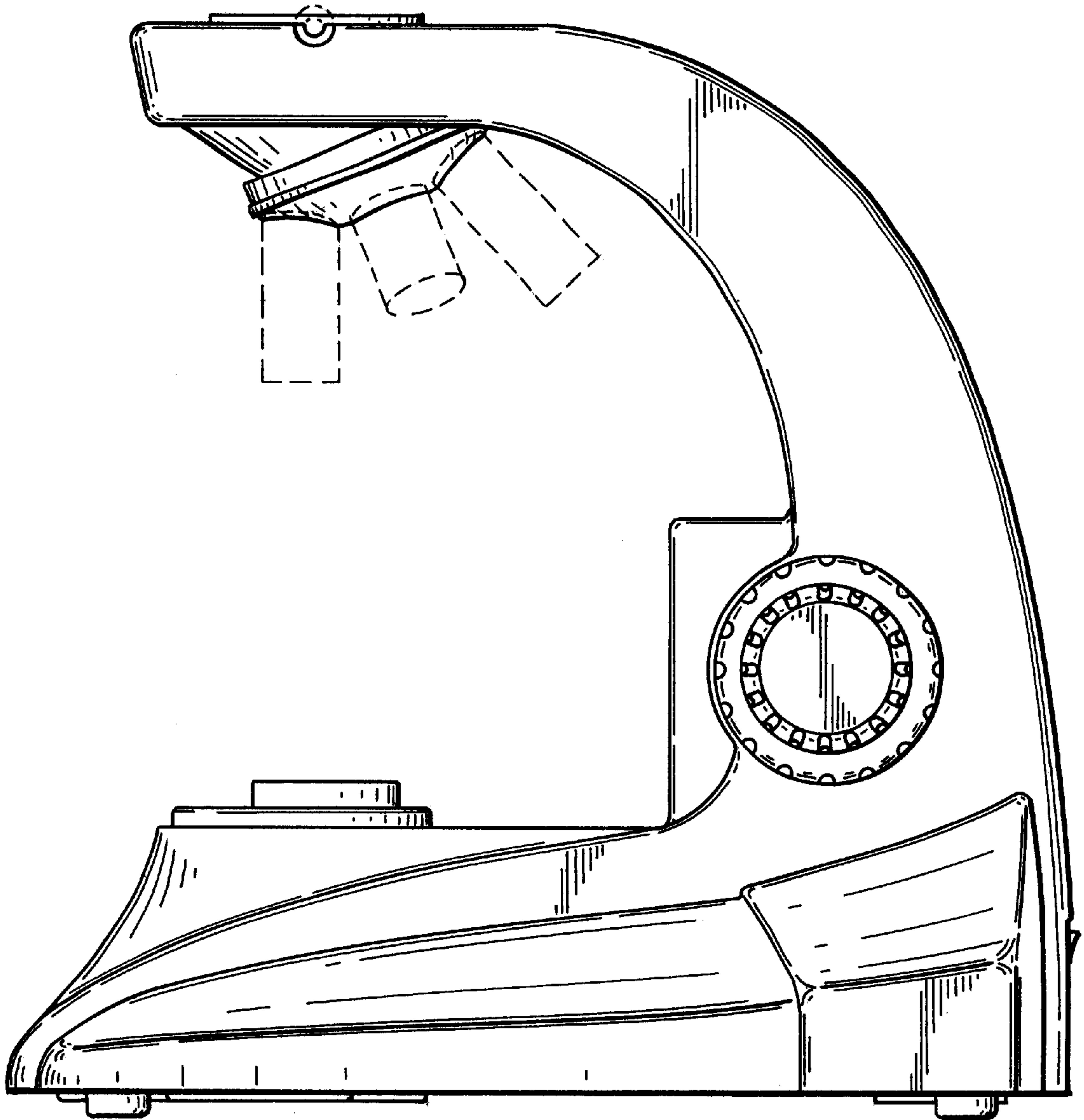


FIG. 3

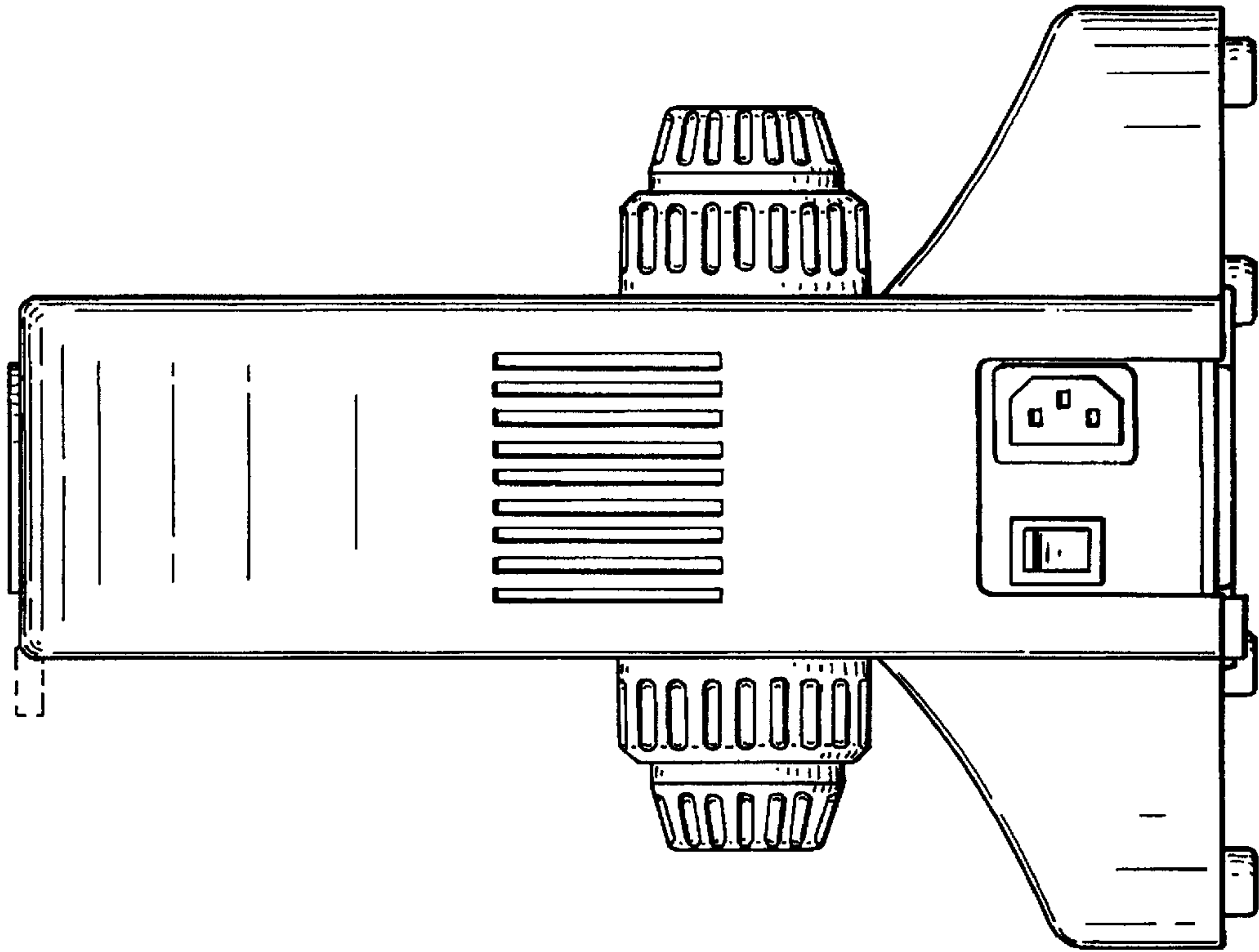


FIG. 5

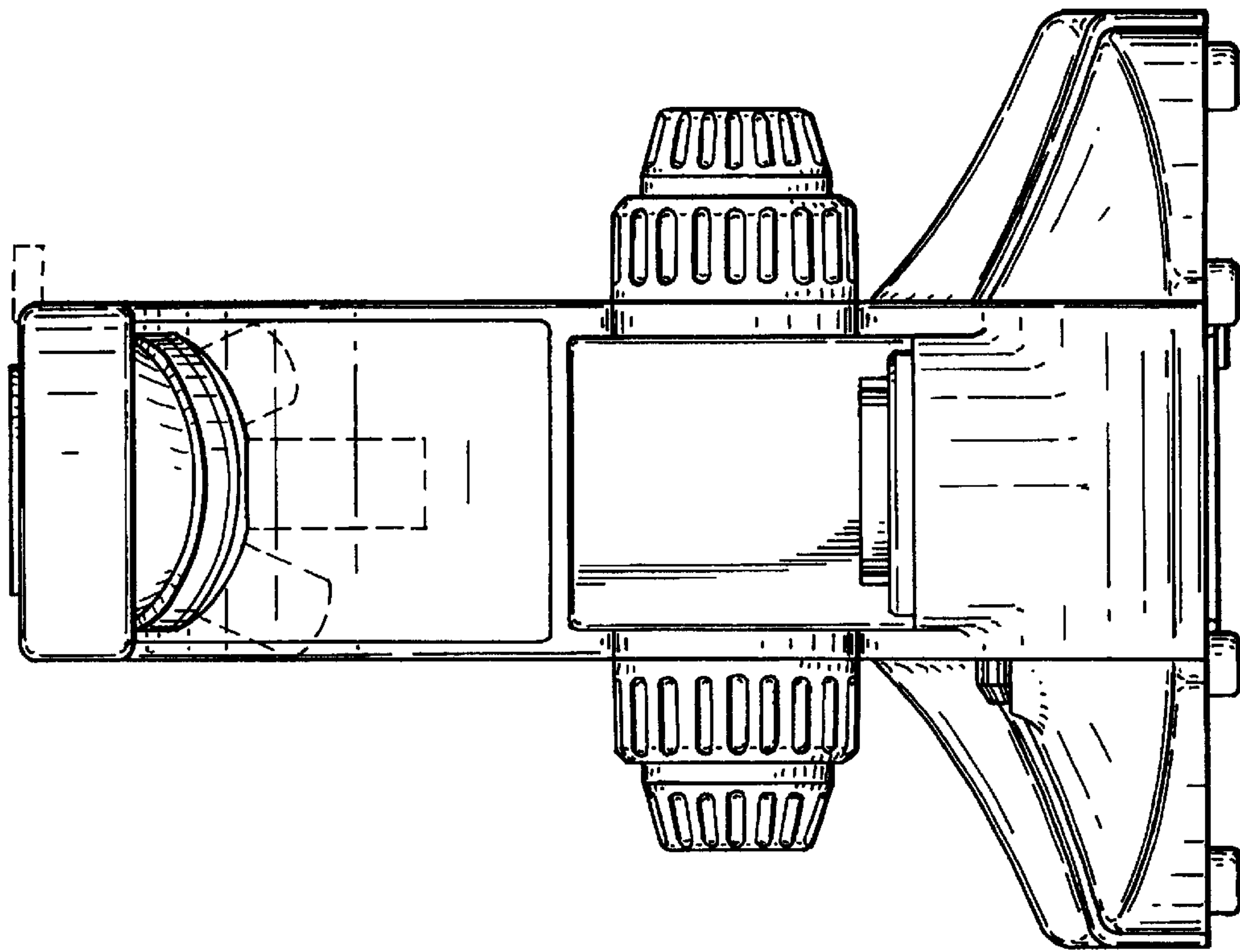


FIG. 4

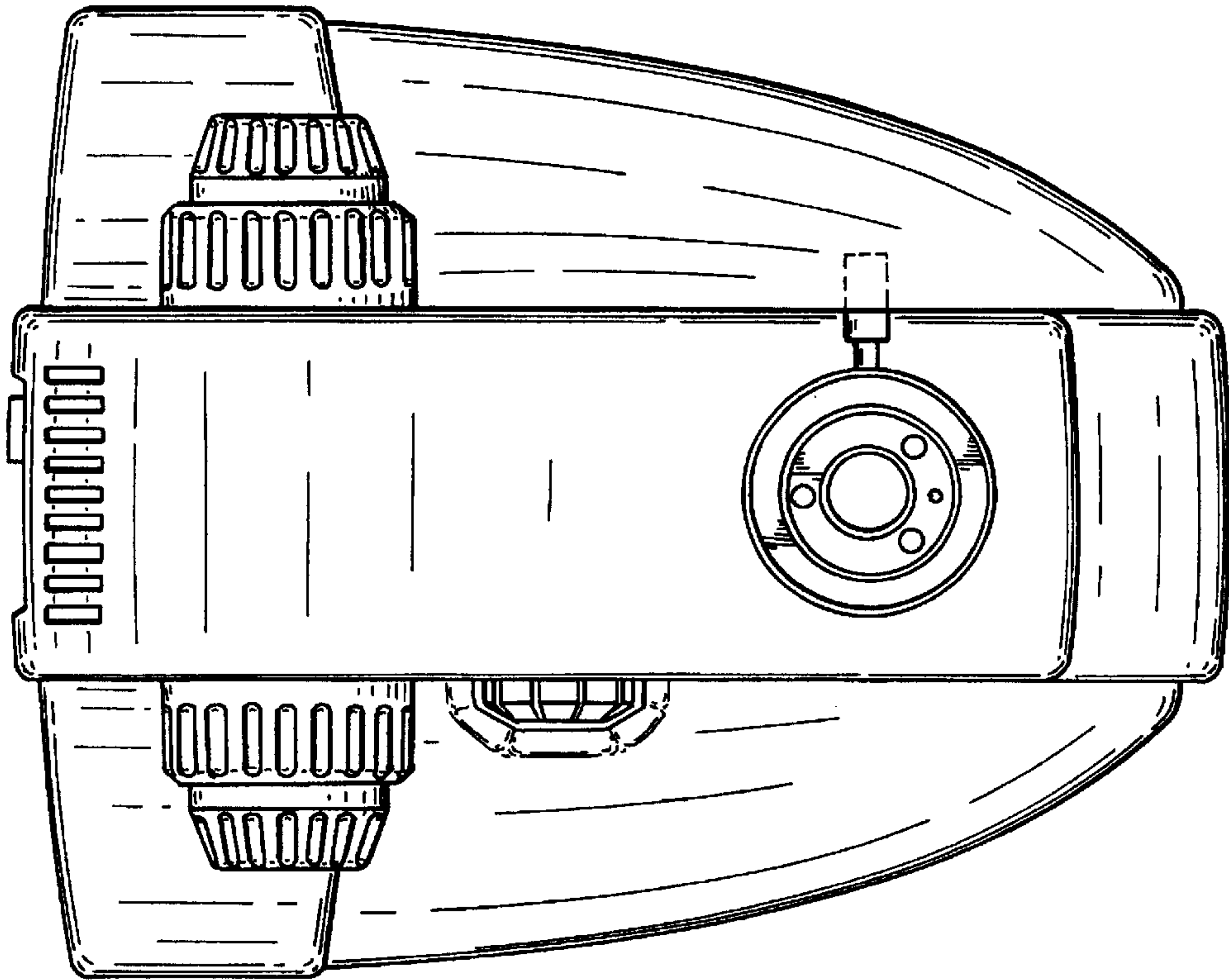


FIG. 7

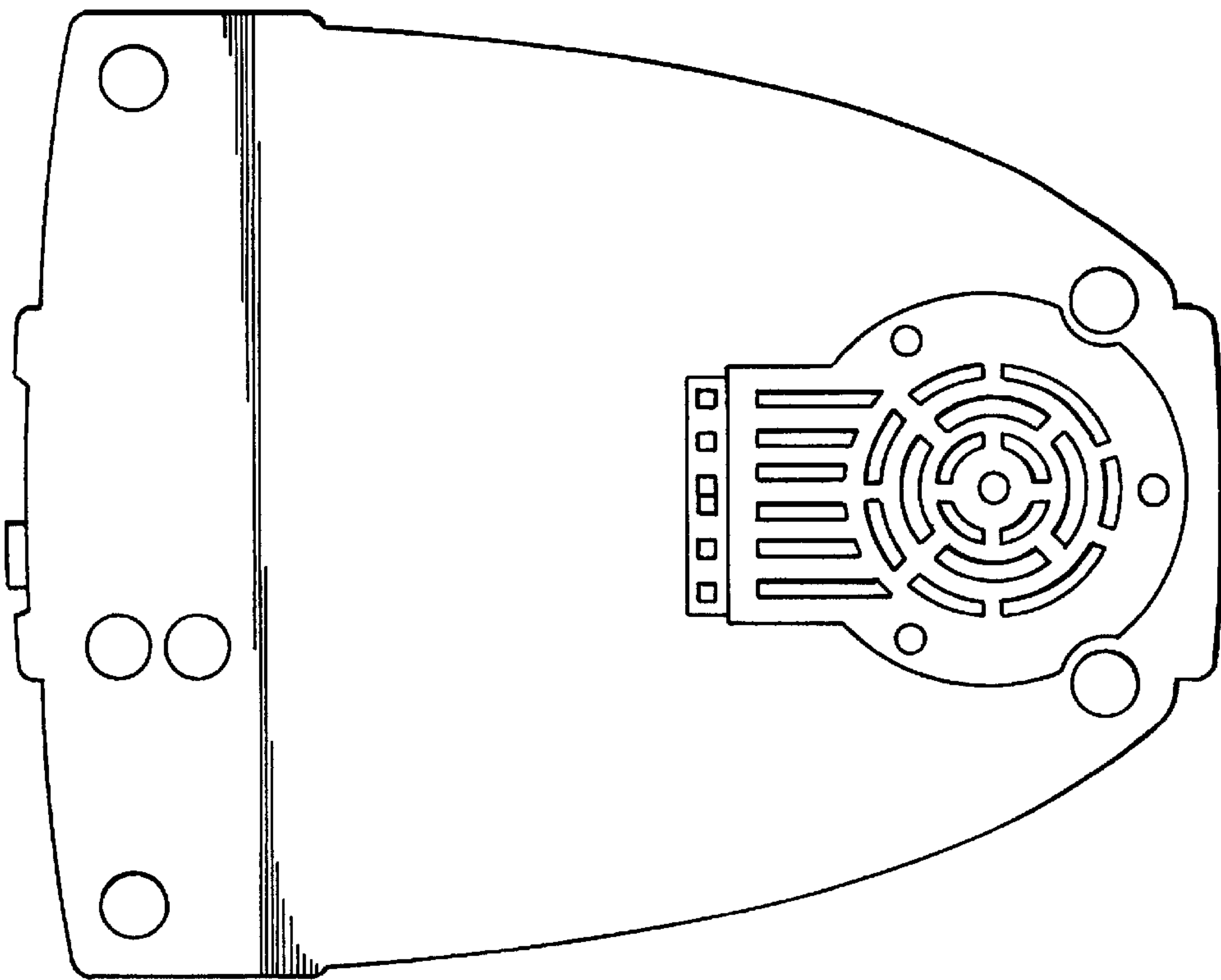


FIG. 6