



US00D444158S

(12) **United States Design Patent**
Saldana

(10) **Patent No.:** **US D444,158 S**

(45) **Date of Patent:** **** Jun. 26, 2001**

(54) **OPTICAL MONITORING WINDOW HAVING SIX WEAR RESISTANT POSTS**

4,915,663 * 4/1990 Magers 359/869 X

* cited by examiner

(76) **Inventor:** **Frank Saldana**, 3153 Maury St.,
Richmond, VA (US) 23224

Primary Examiner—Paula A. Mortimer

(74) *Attorney, Agent, or Firm*—Norman B. Rainer

(**) **Term:** **14 Years**

(57) **CLAIM**

(21) **Appl. No.:** **29/128,775**

The ornamental design for an optical monitoring window having six wear resistant posts, as shown and described.

(22) **Filed:** **Aug. 31, 2000**

DESCRIPTION

(51) **LOC (7) Cl.** **16-99**

(52) **U.S. Cl.** **D16/130; D16/135**

(58) **Field of Search** D16/130, 134,
D16/135, 136, 137; 359/356, 362, 504,
699, 744, 831, 894, 368, 642, 793, 804,
869

FIG. 1 is front and side perspective view of an optical window having six wear resistant posts showing my new design;

FIG. 2 is a front view thereof, the rear view being of identical appearance;

FIG. 3 is a top view thereof;

FIG. 4 is a bottom view thereof;

FIG. 5 is a side view thereof, the opposite side being of identical appearance; and,

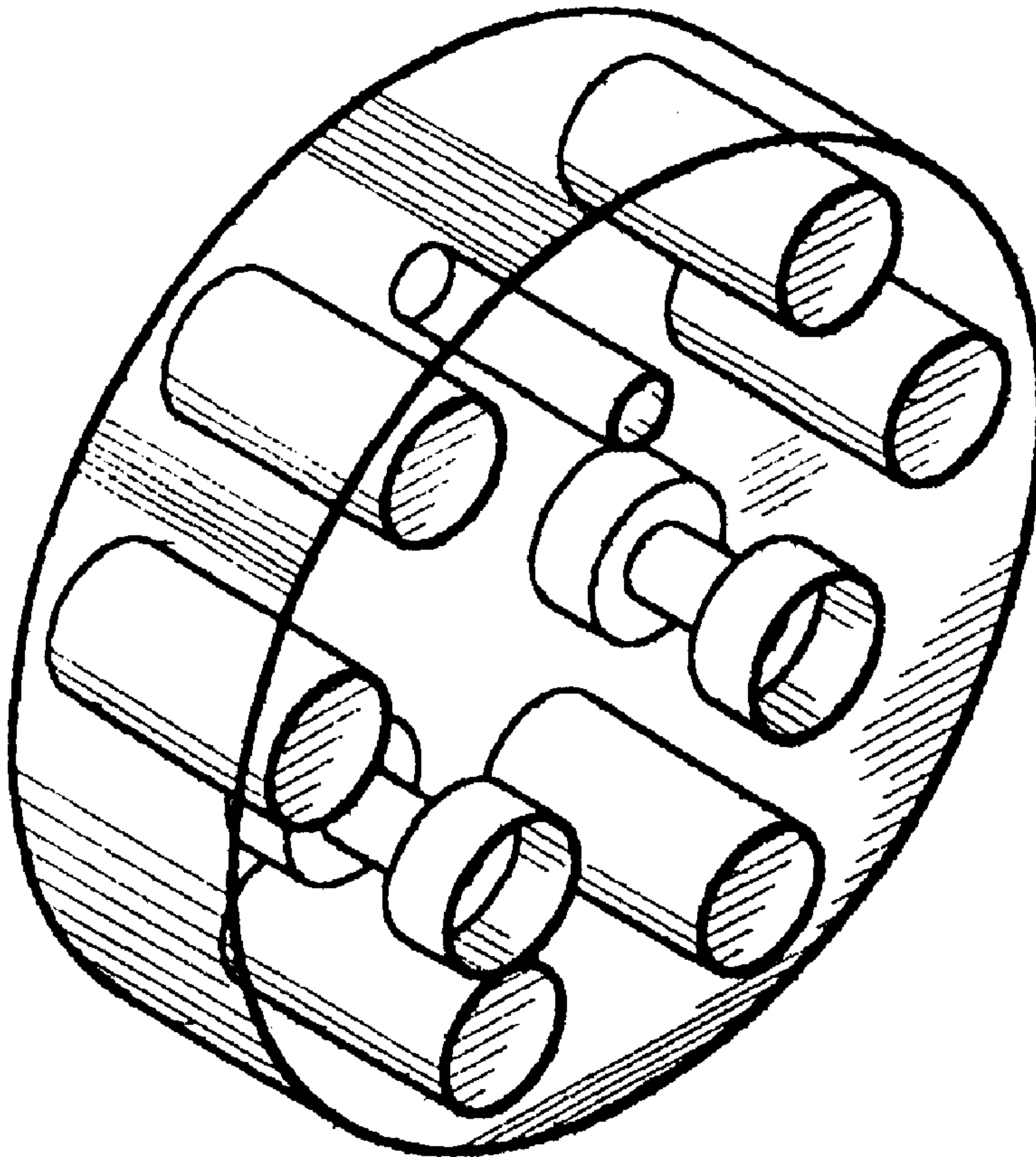
FIG. 6 is a front view of an alternative embodiment of the optical window of the present invention wherein the said posts are of narrower diameter than the posts in the embodiment of FIG. 2 .

(56) **References Cited**

U.S. PATENT DOCUMENTS

D. 307,758	*	5/1990	Tsuji	D16/135
D. 322,447	*	12/1991	Feinbloom	D16/132
D. 334,940	*	4/1993	Wolinsky	D16/134
D. 355,663	*	2/1995	Van Cort	D16/130
D. 388,448	*	12/1997	Lonnstedt	D16/135
D. 390,242	*	2/1998	Selden	D16/135
2,312,542	*	3/1943	Goodman	359/894

1 Claim, 1 Drawing Sheet



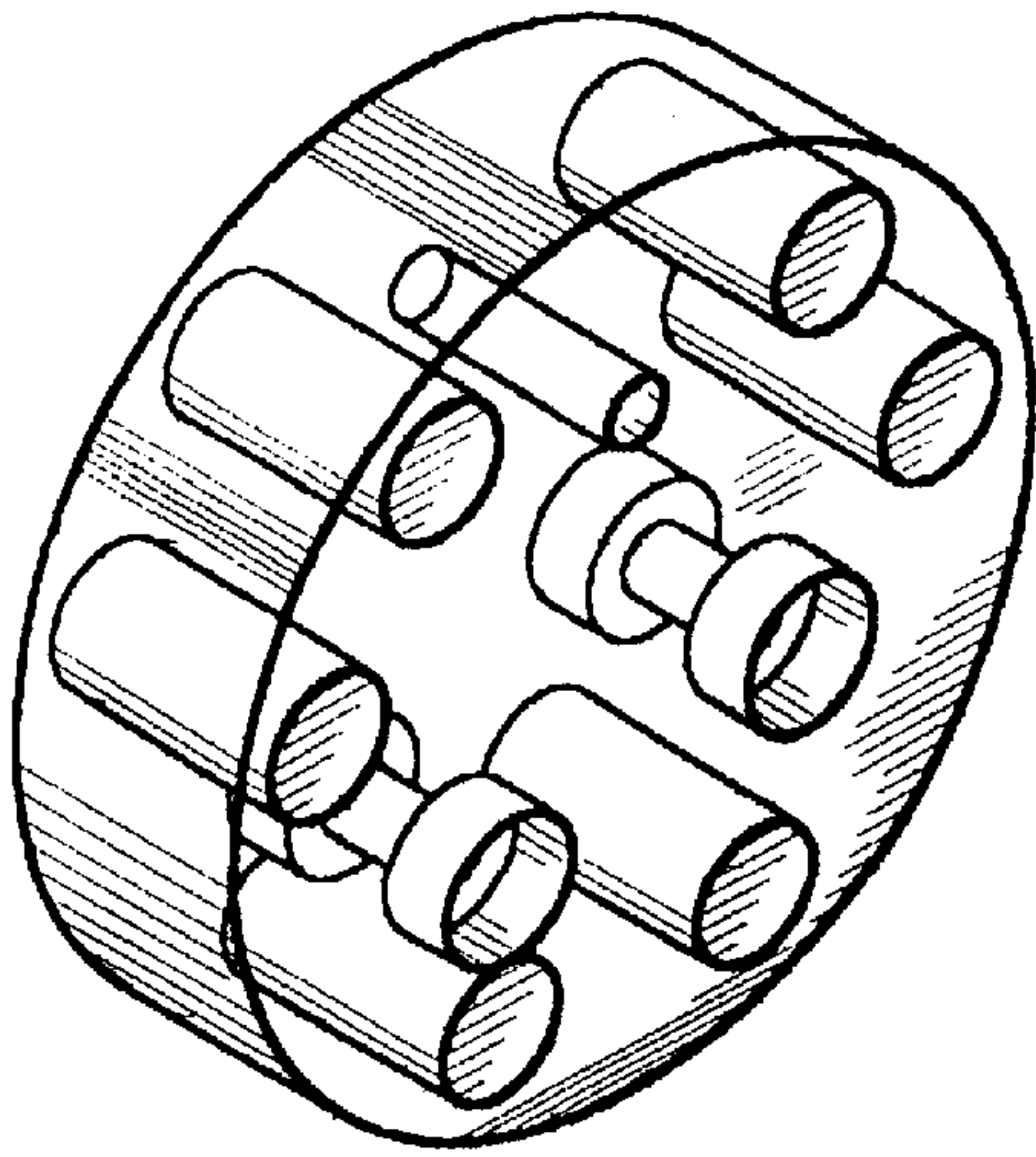


FIG. 1

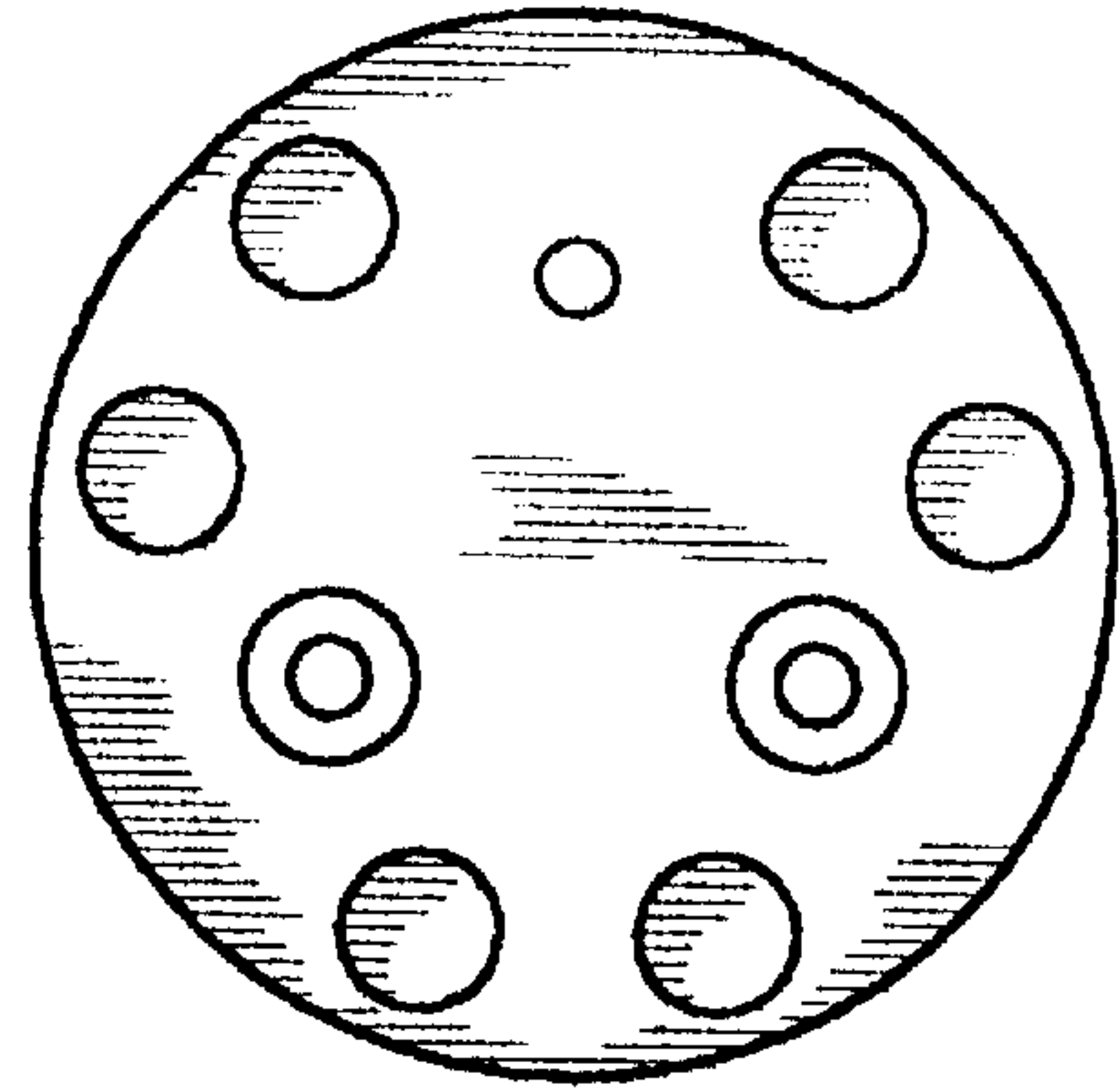


FIG. 2



FIG. 3



FIG. 4

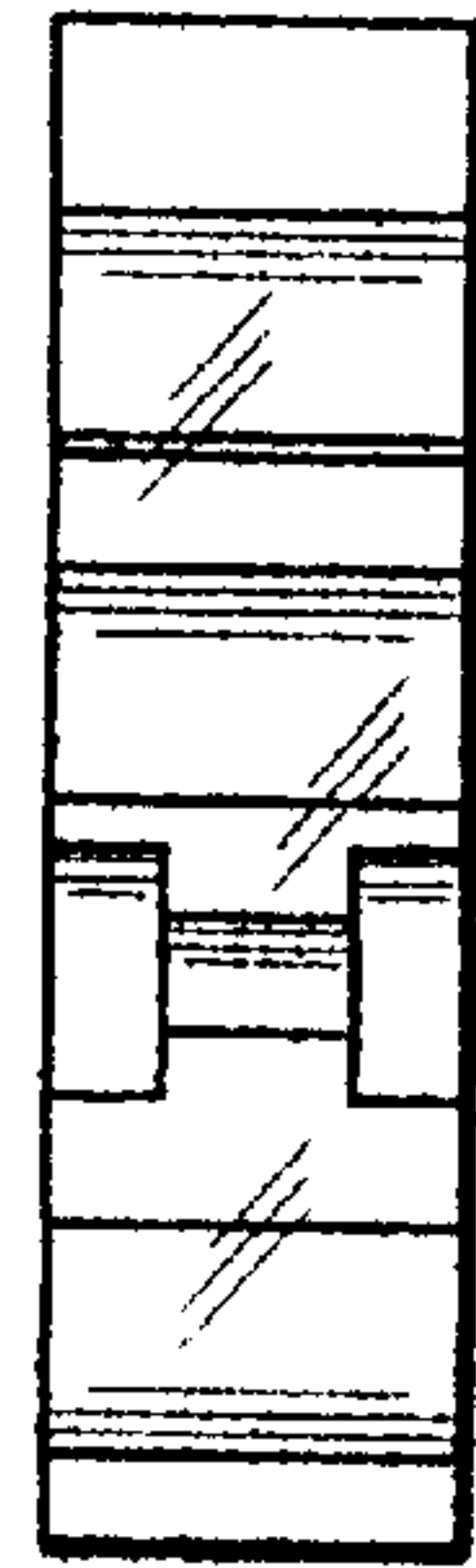


FIG. 5

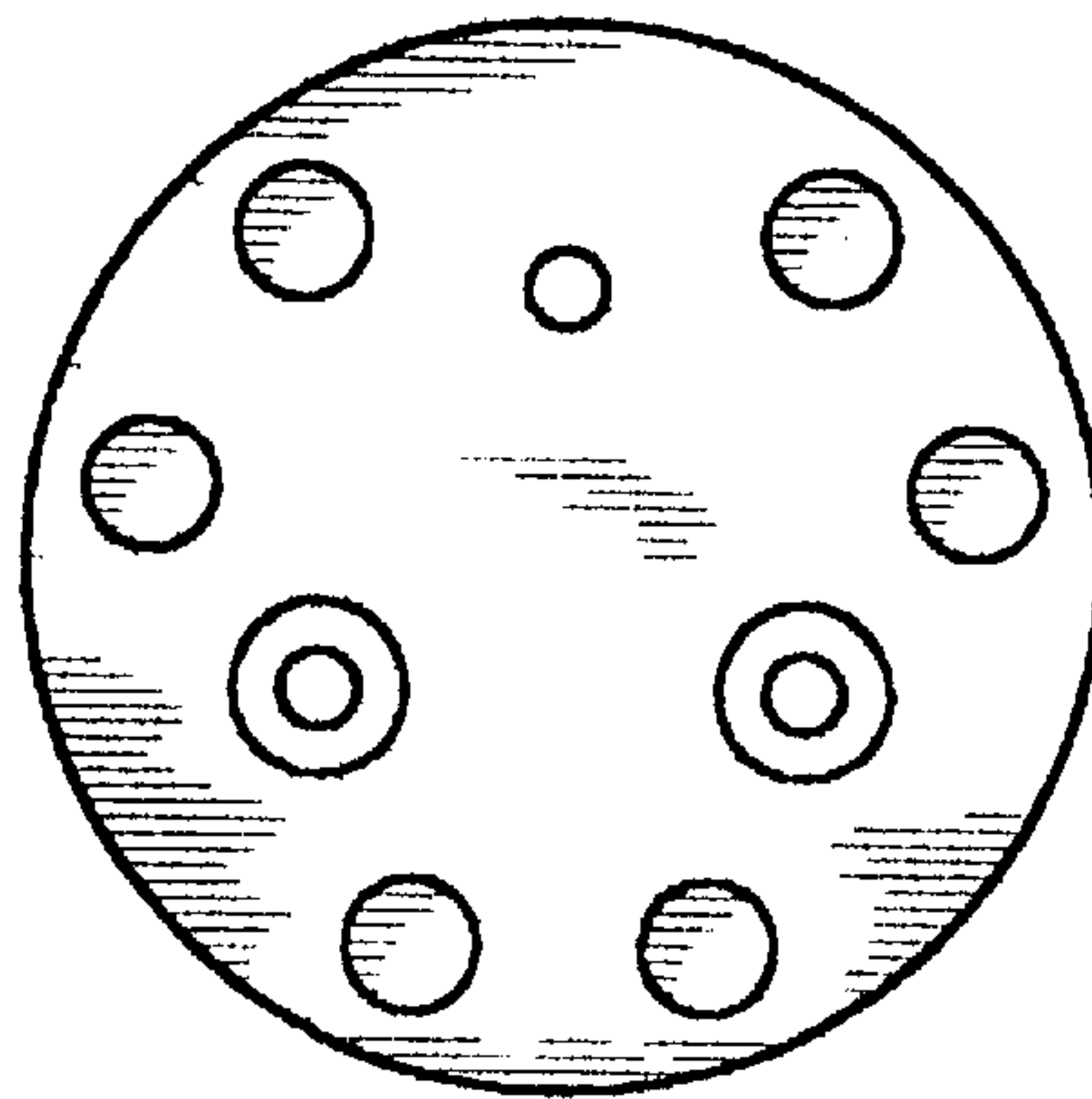


FIG. 6