



US00D444157S

(12) **United States Design Patent**
Vant

(10) **Patent No.:** **US D444,157 S**

(45) **Date of Patent:** **** Jun. 26, 2001**

(54) **GRIPPER FINGER**

(75) Inventor: **Lev Vant**, Rego Park, NY (US)

(73) Assignee: **Bayer Corporation**, Tarrytown, NY (US)

(**) Term: **14 Years**

(21) Appl. No.: **29/090,683**

(22) Filed: **Jul. 14, 1998**

(51) **LOC (7) Cl.** **15-09**

(52) **U.S. Cl.** **D15/140**

(58) **Field of Search** D15/122, 140,
D15/199; 294/106, 119.1; 414/749, 751,
753

(56) **References Cited**

U.S. PATENT DOCUMENTS

| | | | | |
|-----------|---|---------|----------------------|---------|
| 3,648,854 | * | 3/1972 | Potter . | |
| 3,731,820 | * | 5/1973 | Niki et al. . | |
| 4,544,193 | * | 10/1985 | Dunn et al. | 294/106 |
| 4,547,121 | * | 10/1985 | Nesmith | 414/753 |
| 4,548,544 | * | 10/1985 | Van Appledorn | 414/751 |
| 4,569,550 | * | 2/1986 | Harigane et al. | 294/106 |
| 4,893,982 | * | 1/1990 | Yamaguchi | 414/749 |
| 5,533,858 | * | 7/1996 | Costa | 414/751 |

* cited by examiner

Primary Examiner—B. J. Bullock

(74) *Attorney, Agent, or Firm*—A. L. Klawitter; John M. Paolino

(57) **CLAIM**

The ornamental design for a gripper finger, as shown and described.

DESCRIPTION

FIG. 1 is a front perspective view of a gripper finger according to the present design in juxtaposition to another gripper finger which is shown in phantom, wherein the phantom lines are shown for illustrative purposes only and form no part of the claimed design;

FIG. 2 is a reduced scale rear view of a gripper finger of the present design in juxtaposition to another gripper finger which is shown in phantom, wherein the phantom lines are shown for illustrative purposes only and form no part of the claimed design;

FIG. 3 is a reduced scale top view of the gripper finger shown in FIG. 2;

FIG. 4 is a reduced scale front elevational view of the gripper finger shown in FIG. 2;

FIG. 5 is a reduced scale rear elevational view of the gripper finger shown in FIG. 2;

FIG. 6 is a reduced scale bottom view of the gripper finger shown in FIG. 2;

FIG. 7 is a reduced scale right side view of the gripper finger shown in FIG. 2; and,

FIG. 8 is a reduced scale left side view of the gripper finger shown in FIG. 2.

1 Claim, 4 Drawing Sheets

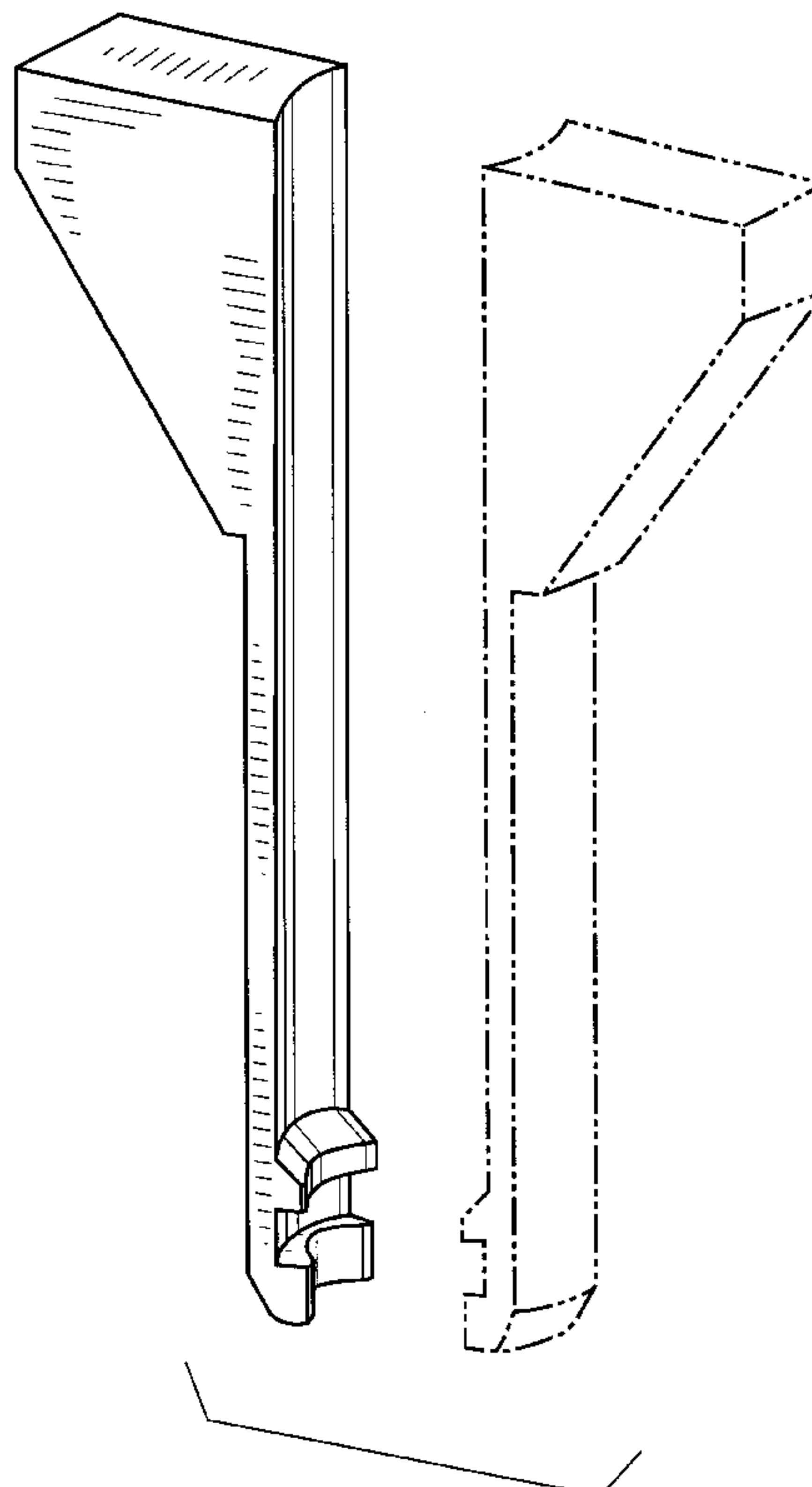


FIG. 1

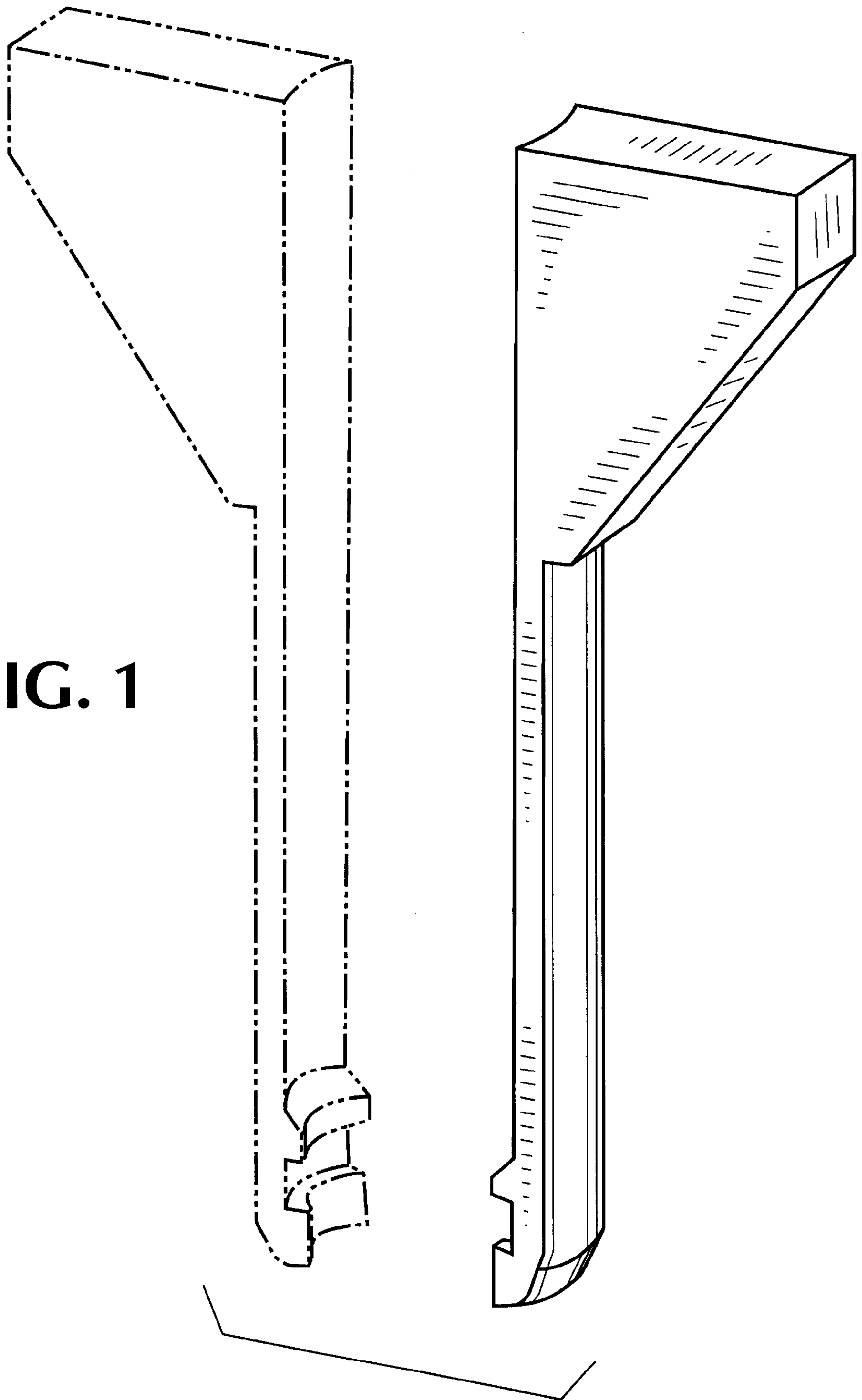


FIG. 2

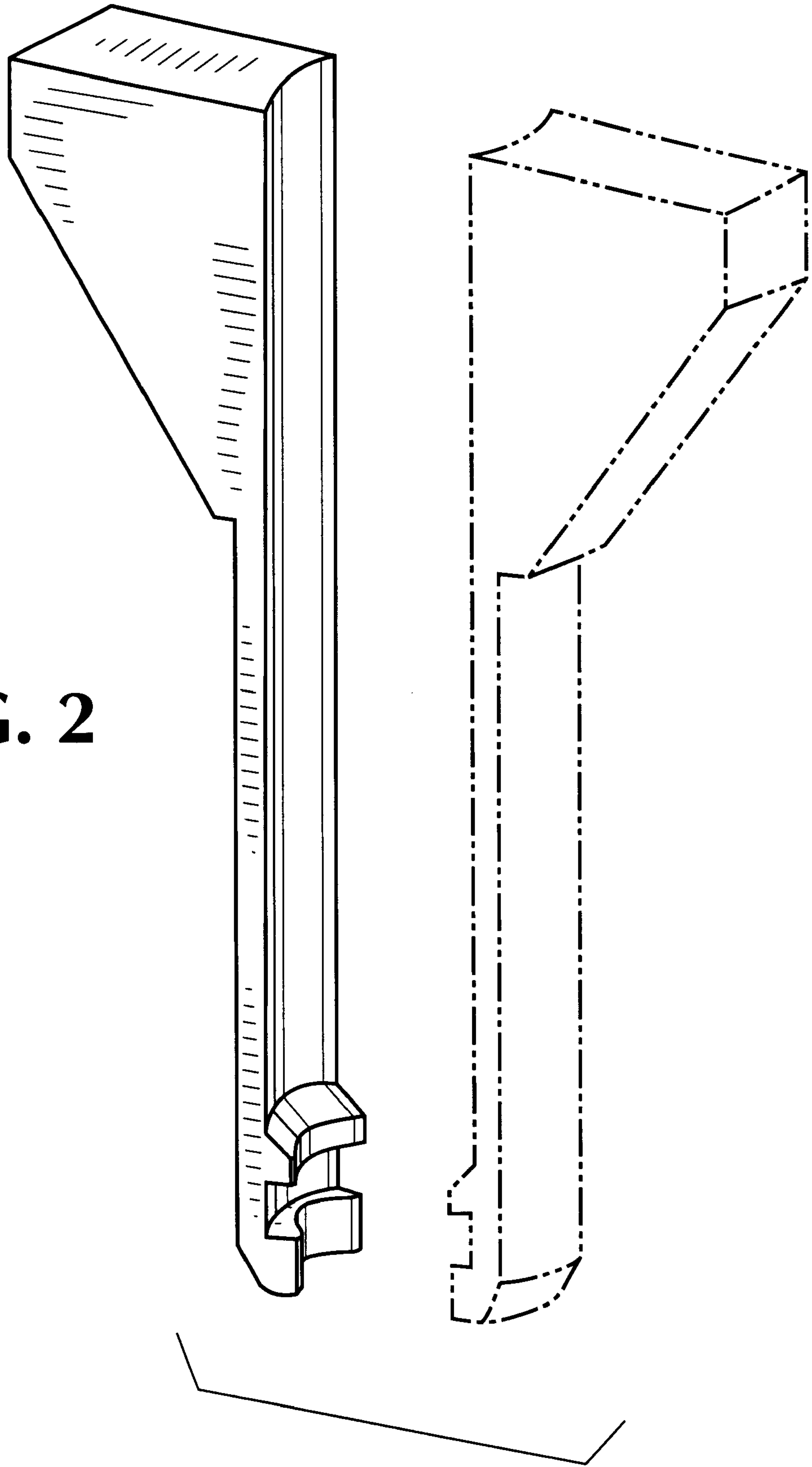




FIG. 3

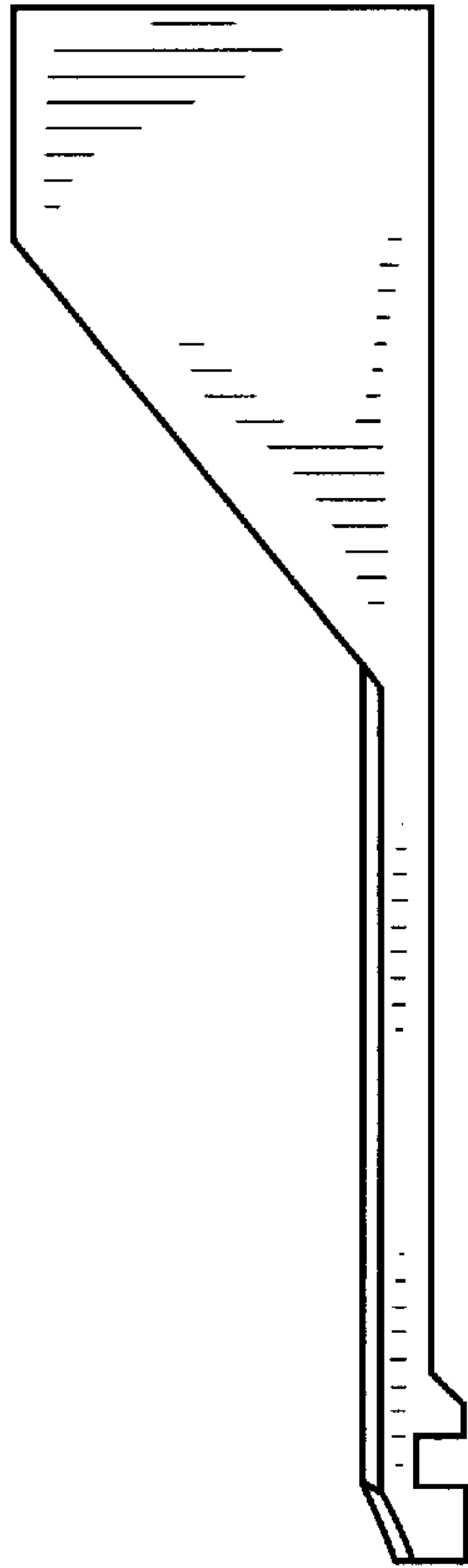


FIG. 4

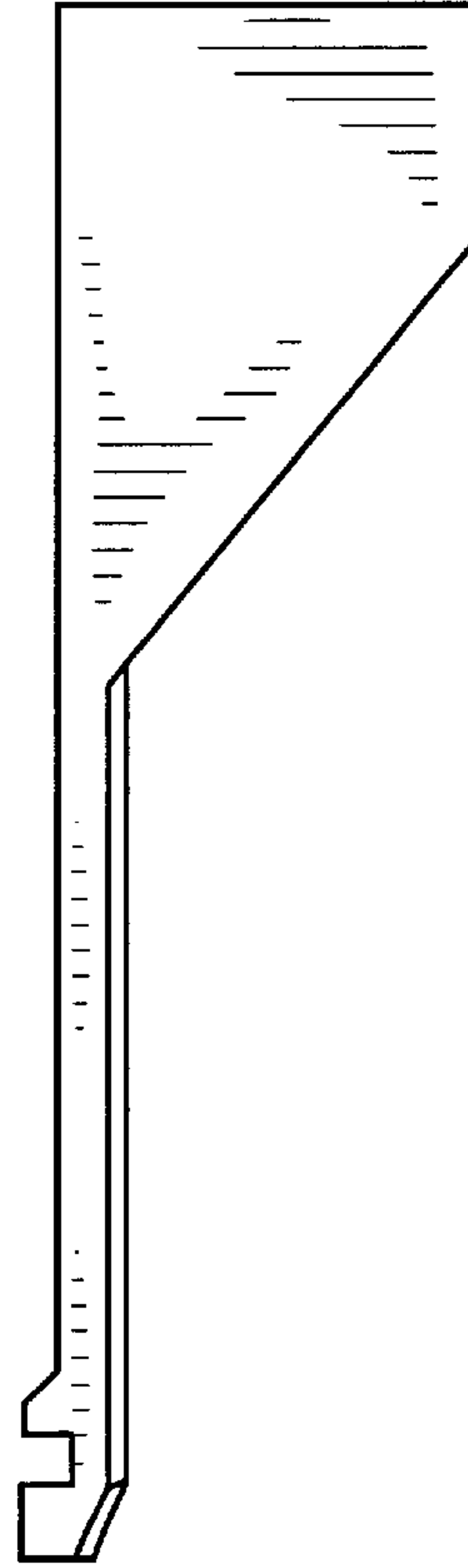


FIG. 5

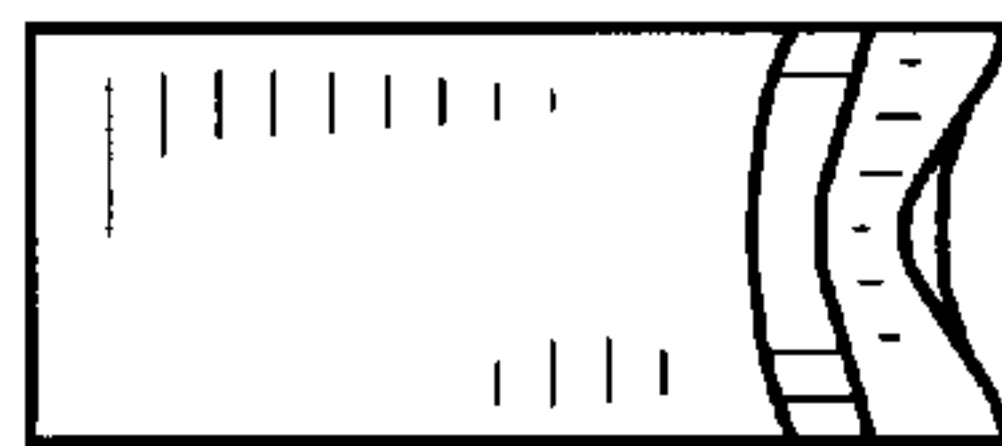


FIG. 6

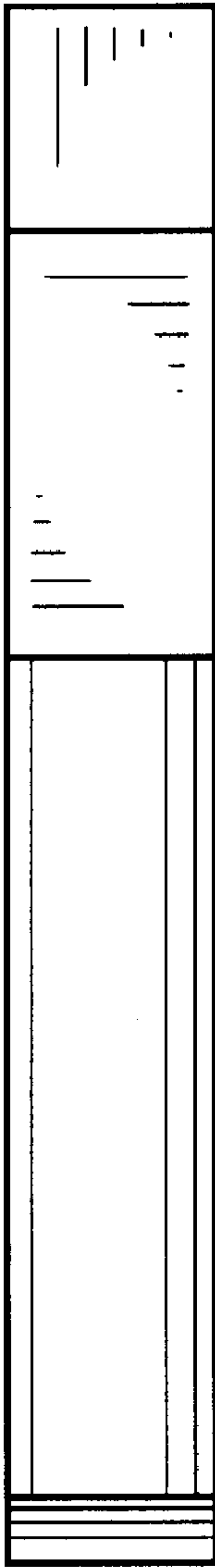


FIG. 7

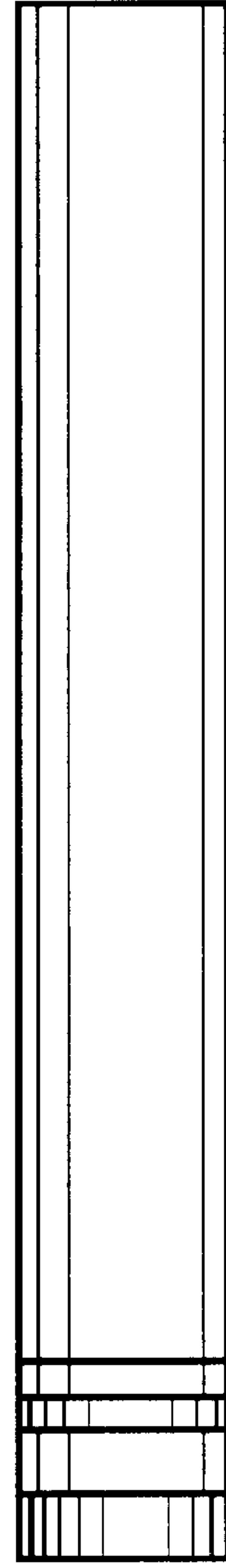


FIG. 8