



US00D444156S

(12) **United States Design Patent**
Hansson et al.

(10) **Patent No.:** **US D444,156 S**

(45) **Date of Patent:** **** Jun. 26, 2001**

(54) **CUTTING INSERT FOR CHIP FORMING MACHINING**

3,894,322	*	7/1975	Pano	407/116
5,004,379	*	4/1991	Little	407/116
5,382,119	*	1/1995	Mihic	407/116
6,000,885	*	12/1999	Erickson	407/116 X

(75) Inventors: **Per Hansson**, Gävle; **Claes Andersson**, Valbo, both of (SE)

* cited by examiner

(73) Assignee: **Sandvik Aktiebolag**, Sandviken (SE)

Primary Examiner—Antoine Duval Davis

(**) Term: **14 Years**

(74) *Attorney, Agent, or Firm*—Burns, Doane, Swecker & Mathis, L.L.P.

(21) Appl. No.: **29/128,791**

(57) **CLAIM**

(22) Filed: **Aug. 31, 2000**

The ornamental design for a cutting insert for chip forming machining, as shown and described.

(30) **Foreign Application Priority Data**

DESCRIPTION

Mar. 2, 2000 (SE) 00-0426

FIG. 1 is a front end, top perspective view of a cutting insert for chip forming machining showing our new design; FIG. 2 is a top plan view thereof; FIG. 3 is a bottom plan view thereof; FIG. 4 is a side elevational view thereof; FIG. 5 is a side elevational view of the other side thereof; FIG. 6 is a front end elevational view thereof; and, FIG. 7 is a rear end elevational view thereof.

(51) **LOC (7) Cl.** **15-09**

(52) **U.S. Cl.** **D15/139**

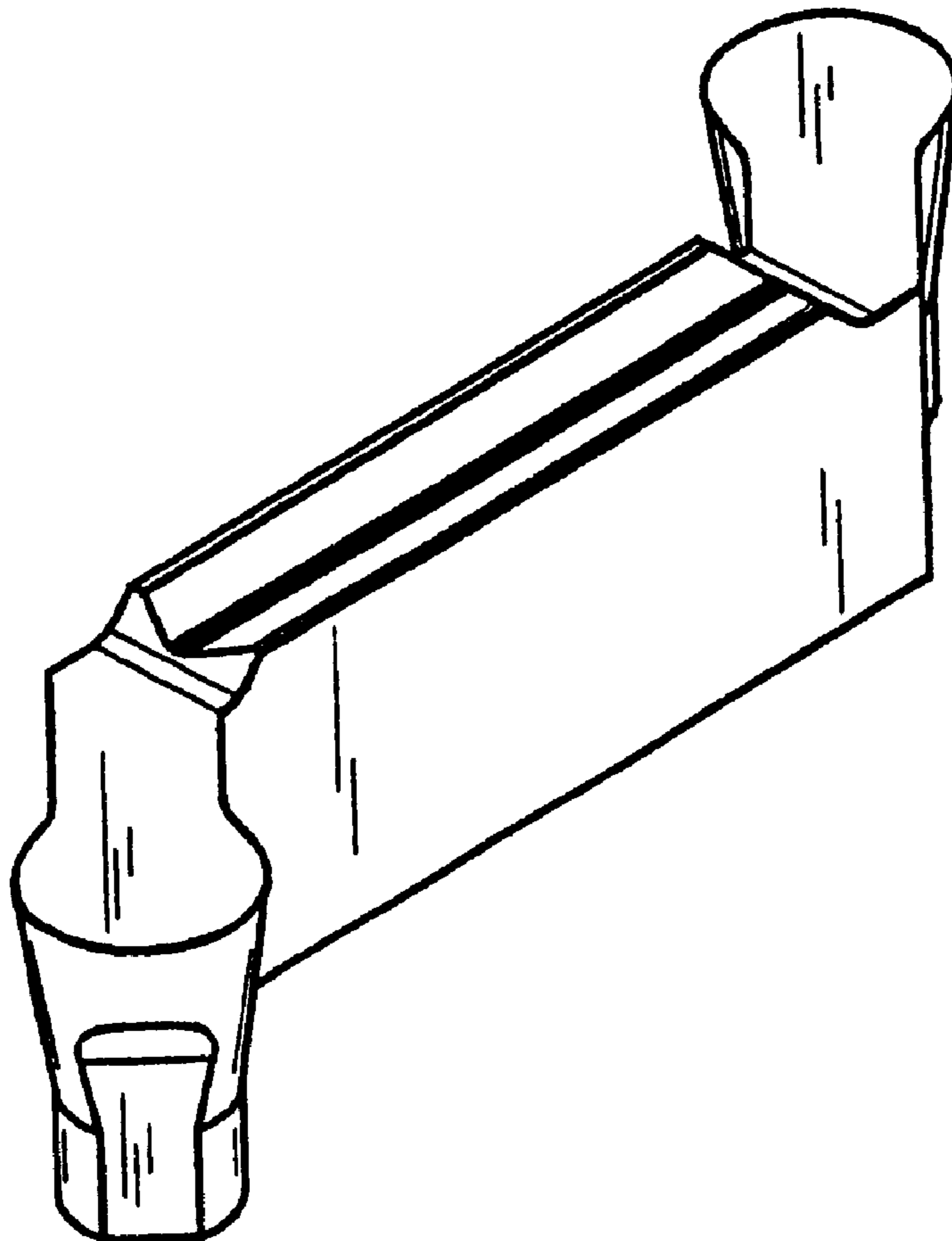
(58) **Field of Search** D15/139; 407/116, 407/117

(56) **References Cited**

U.S. PATENT DOCUMENTS

D. 271,497 * 11/1983 Green D15/139

1 Claim, 2 Drawing Sheets



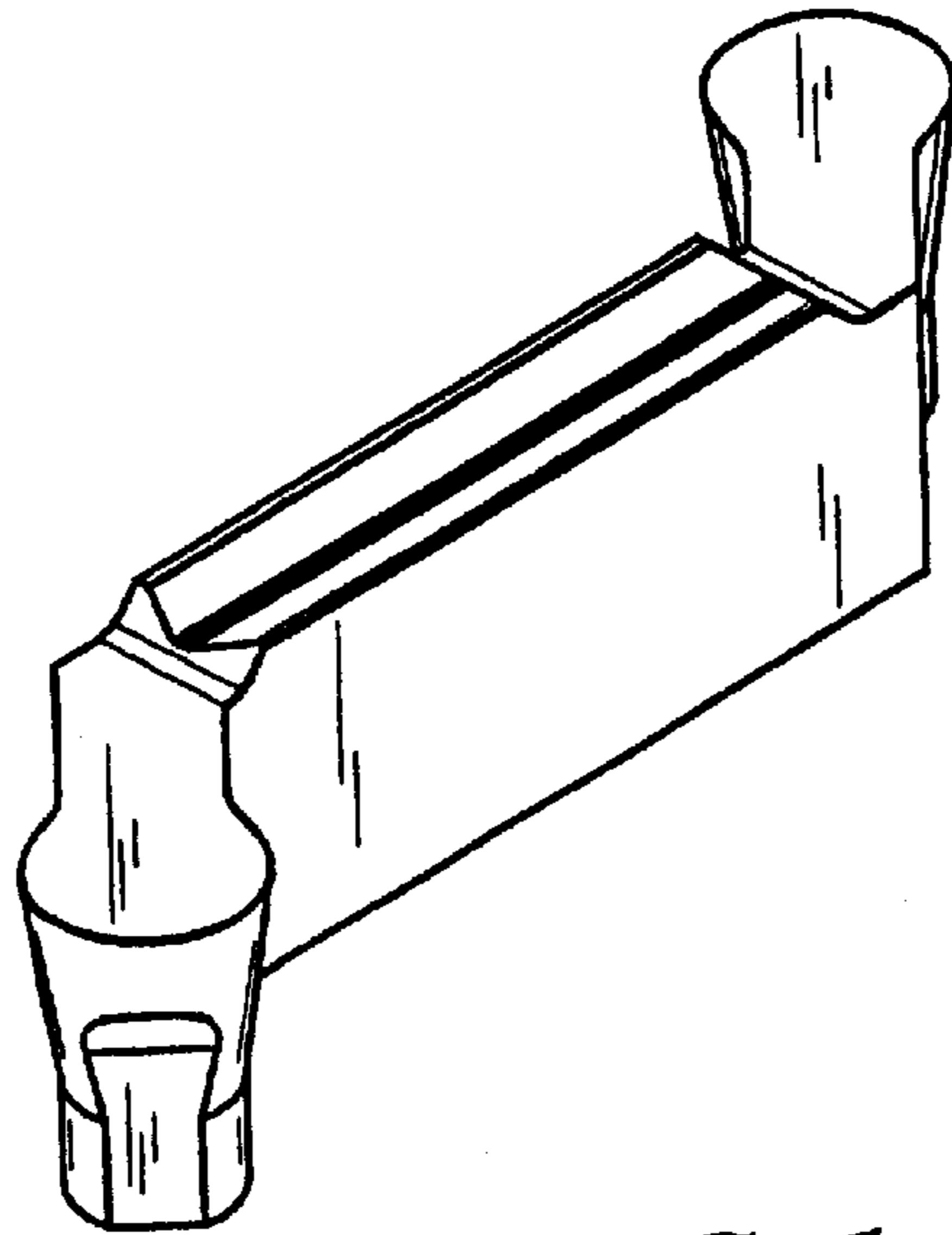


FIG. 1

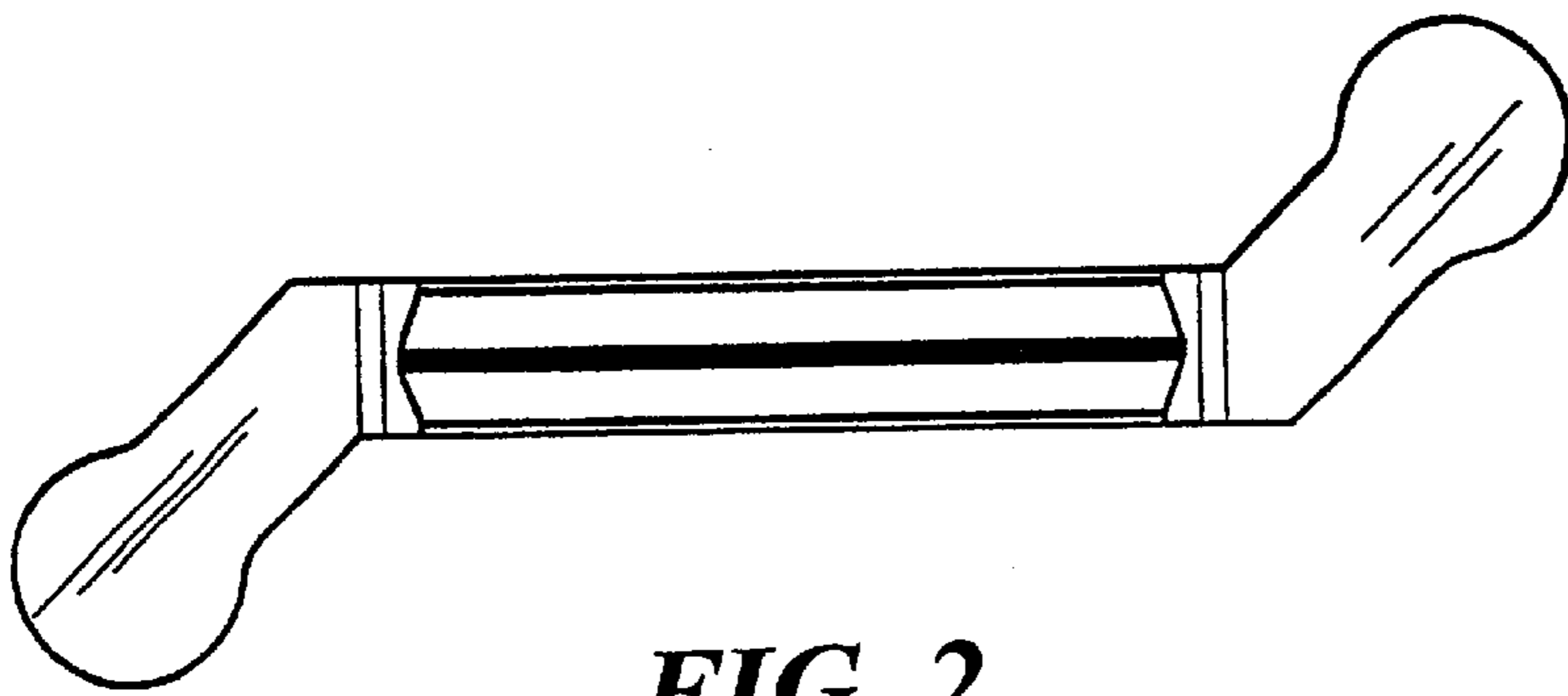


FIG. 2

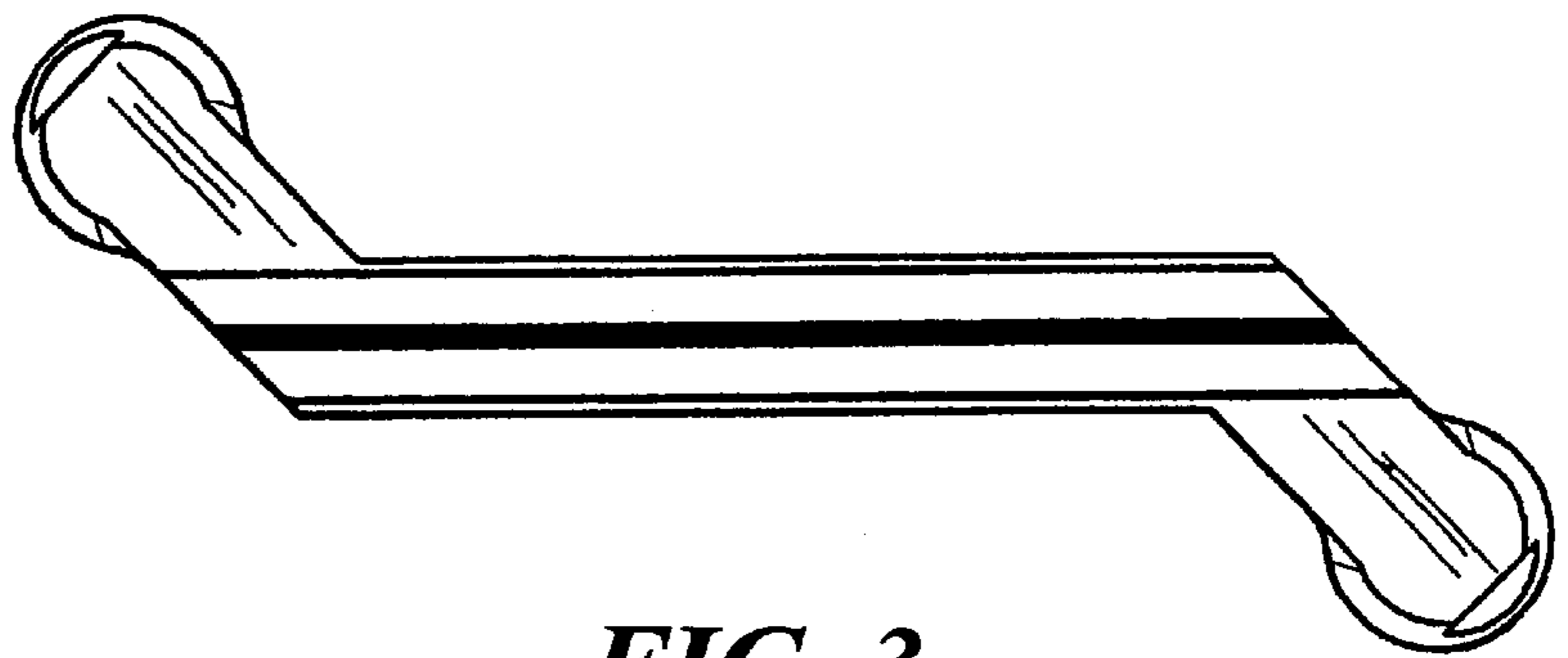


FIG. 3

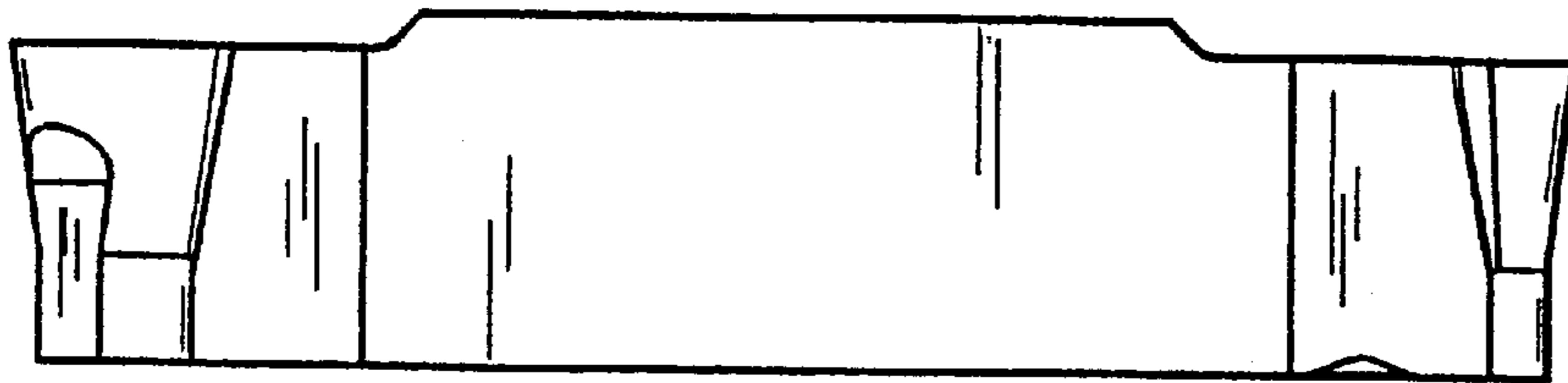


FIG. 4

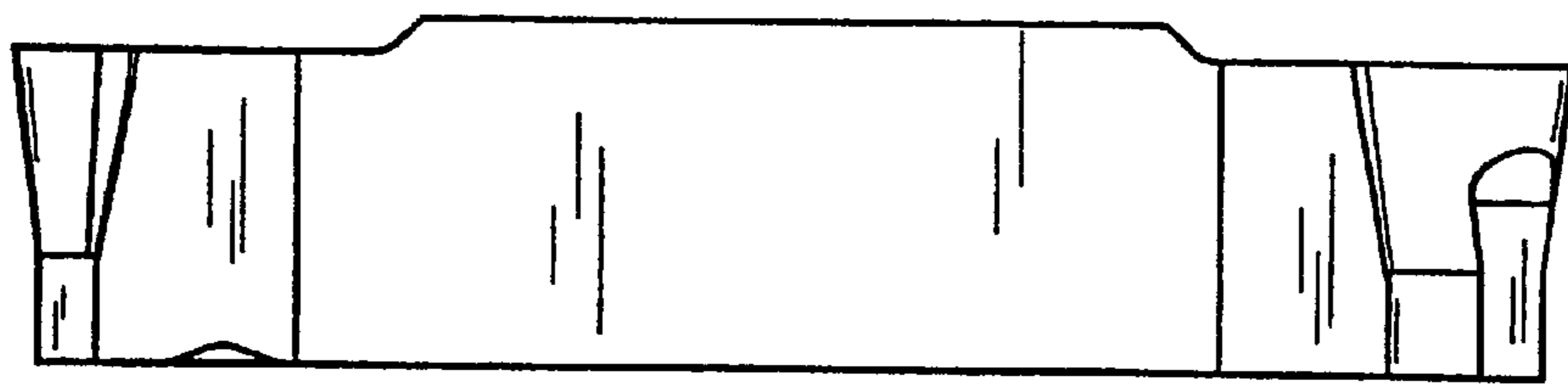


FIG. 5

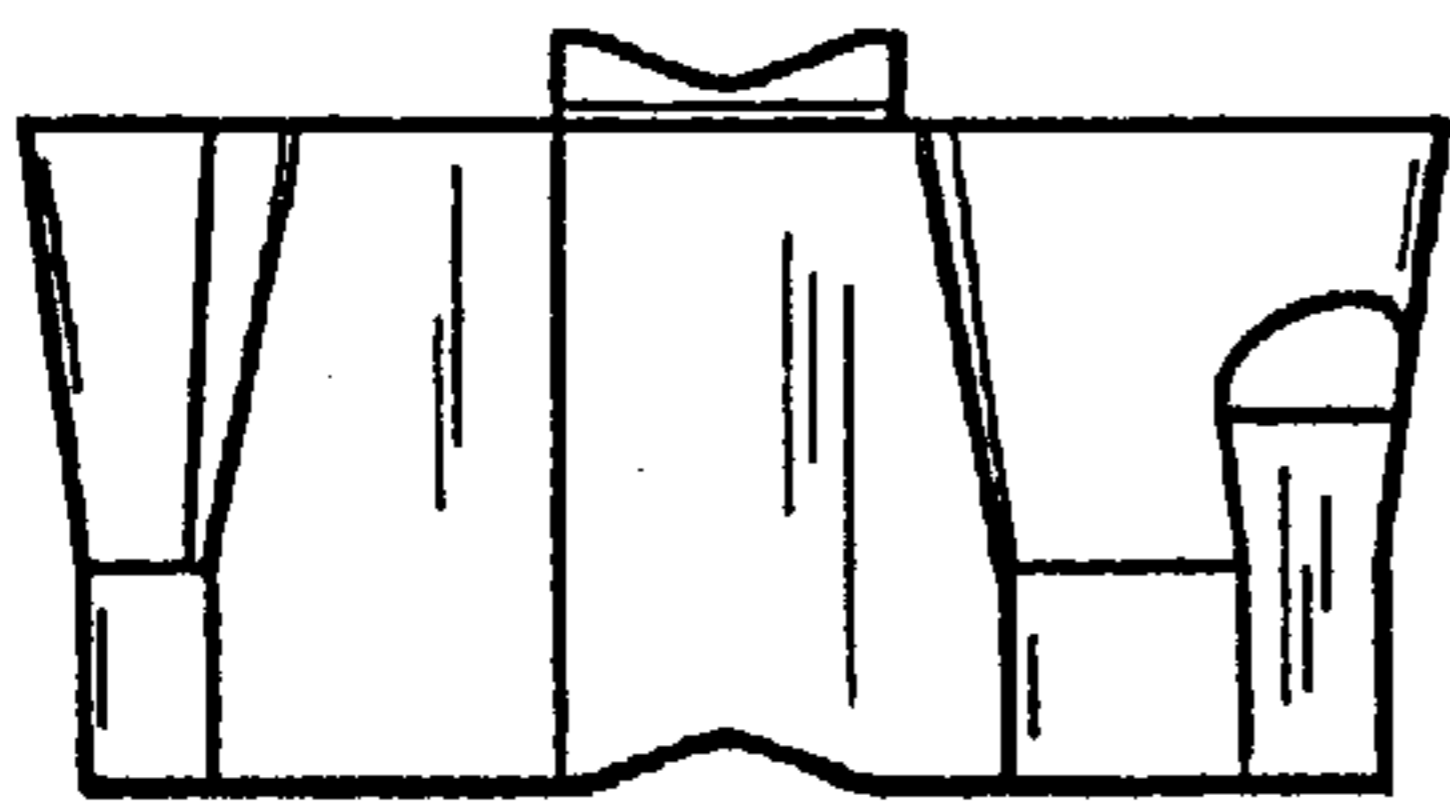


FIG. 6

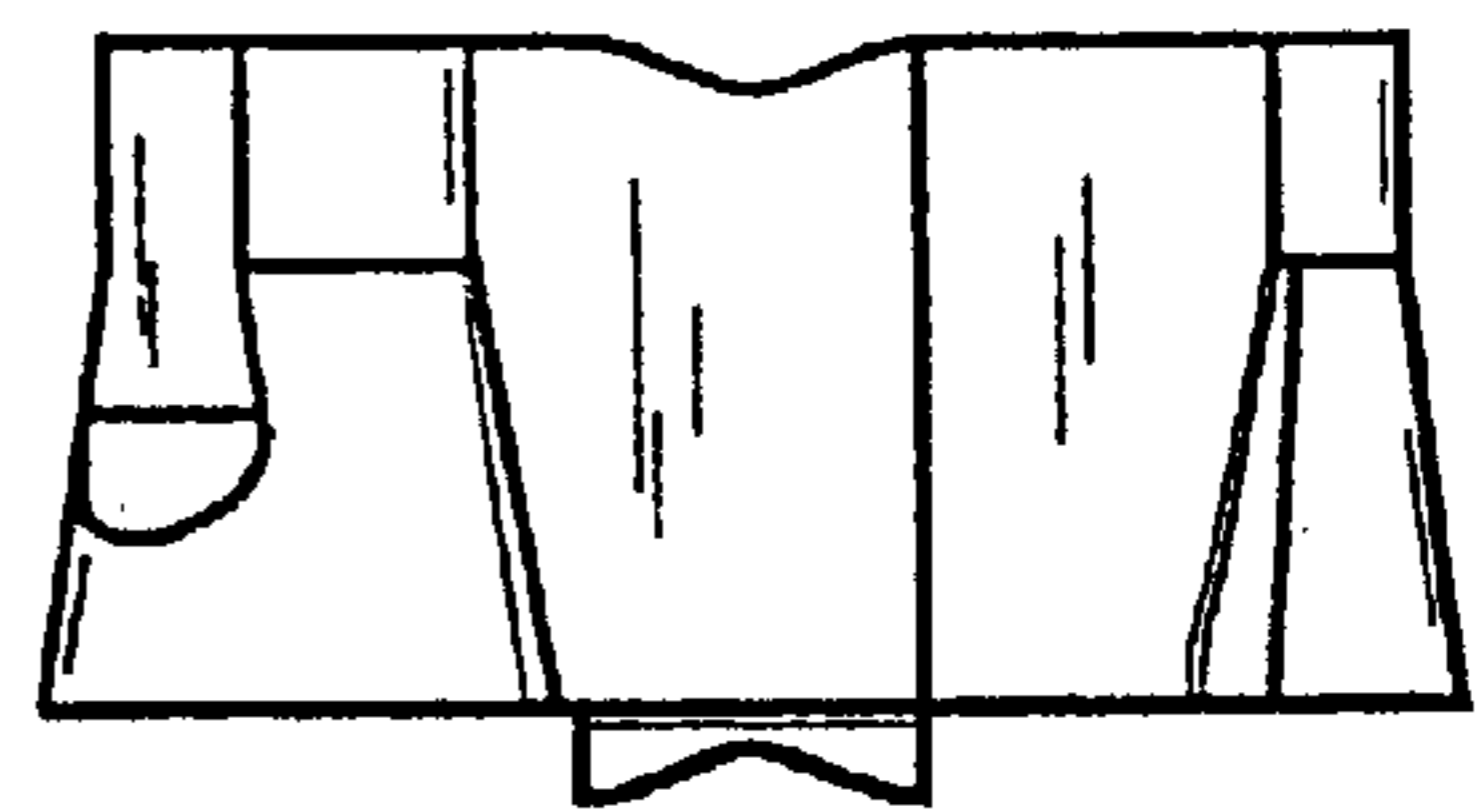


FIG. 7