



US00D444153S

(12) **United States Design Patent**  
**Dhillon**

(10) **Patent No.:** **US D444,153 S**

(45) **Date of Patent:** **\*\* Jun. 26, 2001**

(54) **COMPACT OR MINI DISK**

(75) Inventor: **Jasbir K. Dhillon**, Oakbrook, IL (US)

(73) Assignee: **Unlimited C.D., Inc.**, Stone Park, IL (US)

(\*\*) Term: **14 Years**

(21) Appl. No.: **29/118,262**

(22) Filed: **Feb. 7, 2000**

(51) **LOC (7) Cl.** ..... **14-02**

(52) **U.S. Cl.** ..... **D14/478**

(58) **Field of Search** ..... D14/474, 478-80;  
D19/9, 10; 360/133, 135, 97.01-99.12;  
395/186; 369/272-3, 282-8, 280, 286, 291

(56) **References Cited**

**U.S. PATENT DOCUMENTS**

- D. 394,648 \* 5/1998 Rohde .
- D. 418,502 \* 1/2000 Friday .
- D. 419,151 \* 1/2000 Koedel .
- D. 419,152 \* 1/2000 Lowenstein .
- D. 421,427 \* 3/2000 Siegel .
- D. 426,203 \* 6/2000 Siegel .
- 4,091,454 \* 5/1978 Kauffmann .
- 4,812,633 \* 3/1989 Vogelgesang et al. .
- 5,579,296 \* 11/1996 Smith et al. .
- 5,852,598 \* 12/1998 Wiest .
- 5,882,555 \* 3/1999 Rohde et al. .
- 5,982,736 \* 11/1999 Pierson .

**OTHER PUBLICATIONS**

“Play Your Cards Right,” Hilton Guest magazine, pp. 83-85, 1999 Issue Three, published Aug. 1999, distributed internationally.

\* cited by examiner

*Primary Examiner*—M. H. Tung

(74) *Attorney, Agent, or Firm*—Law Office of Marc D. Machtinger, Ltd.

(57) **CLAIM**

The ornamental design for a compact or mini disk, as shown and described.

**DESCRIPTION**

FIG. 1 is a top plan view of a compact or mini disk showing my new design;

FIG. 2 is a bottom plan view thereof;

FIG. 3 is a front view thereof, the back view being identical;

FIG. 4 is a right side view thereof, the left side being identical;

FIG. 5 is a top plan view of a second embodiment thereof;

FIG. 6 is a bottom plan view thereof;

FIG. 7 is a front view thereof, the back view being identical;

FIG. 8 is a right side view thereof, the left side being identical;

FIG. 9 is a top plan view of a third embodiment thereof;

FIG. 10 is a bottom plan view thereof;

FIG. 11 is a front view thereof, the back view being identical; and,

FIG. 12 is a right side view thereof, the left side being identical.

**1 Claim, 3 Drawing Sheets**

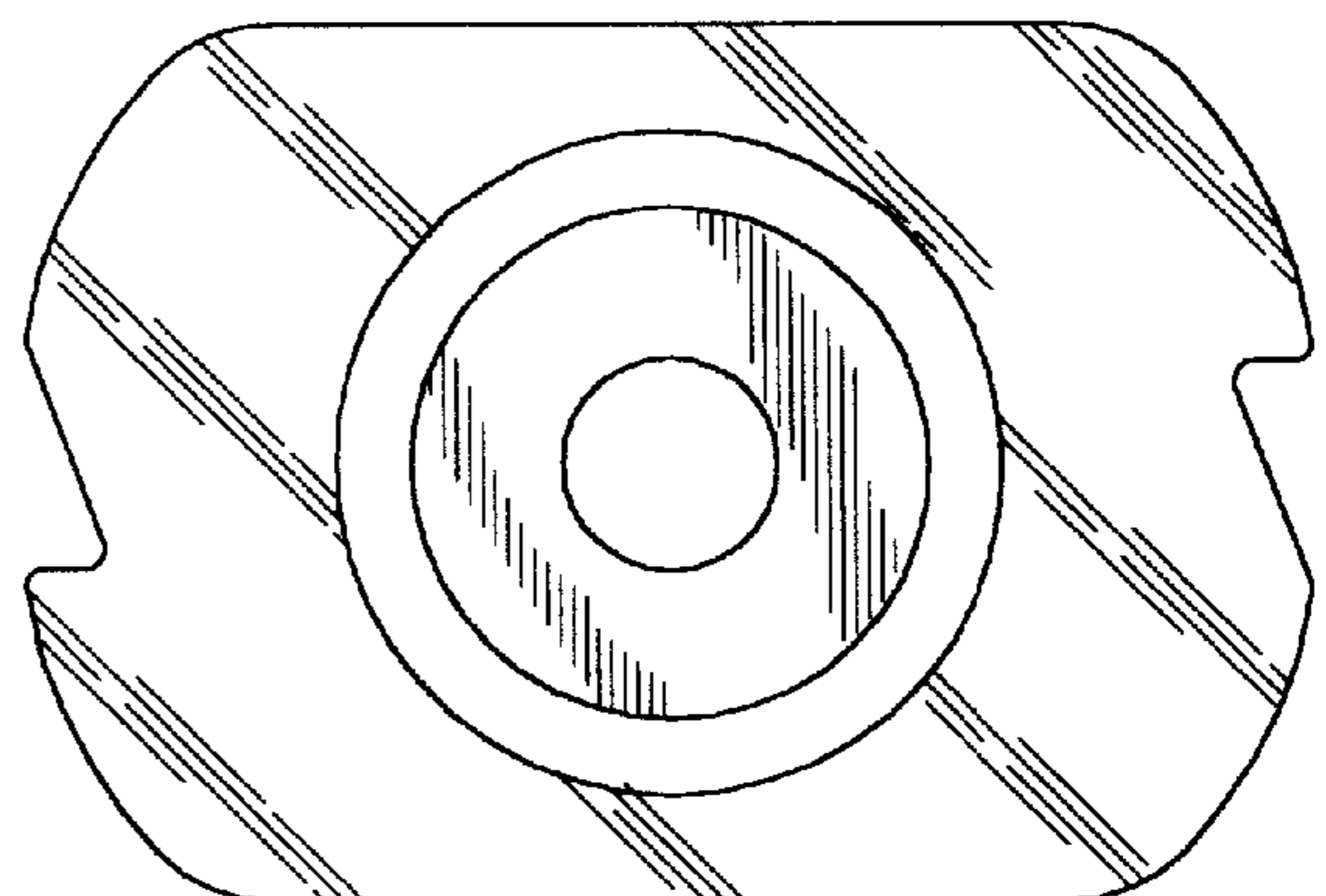
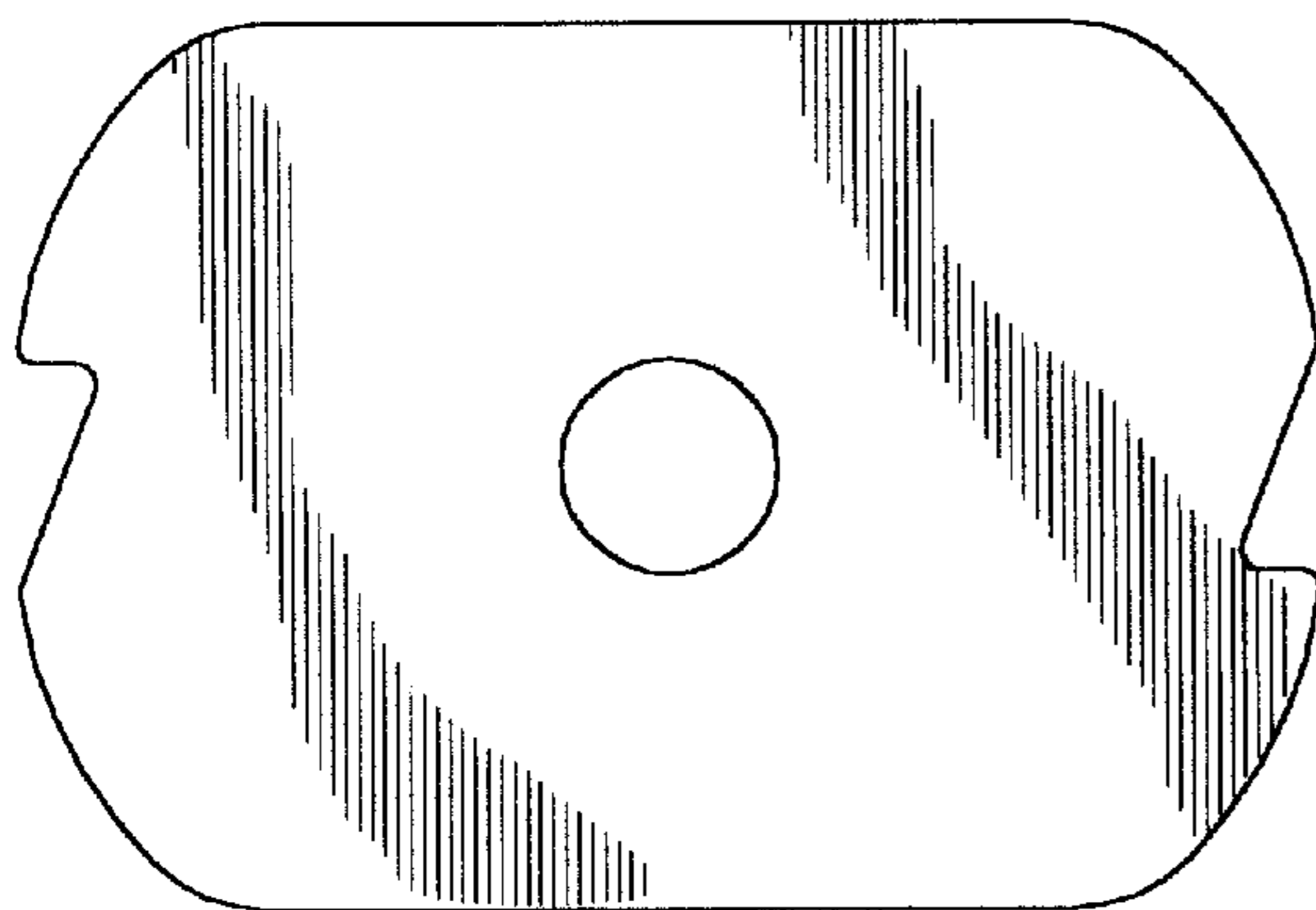


FIG. 1

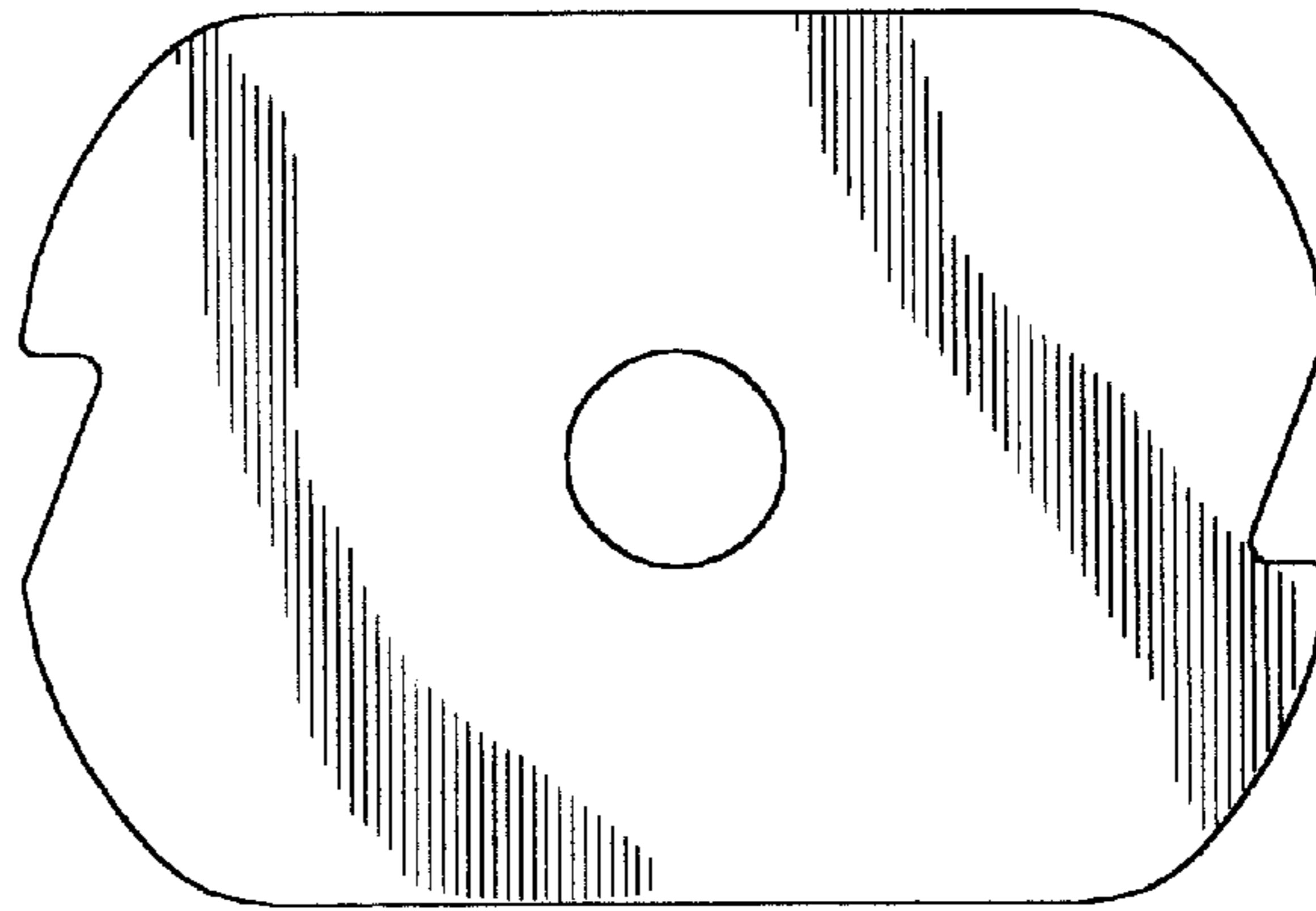


FIG. 2

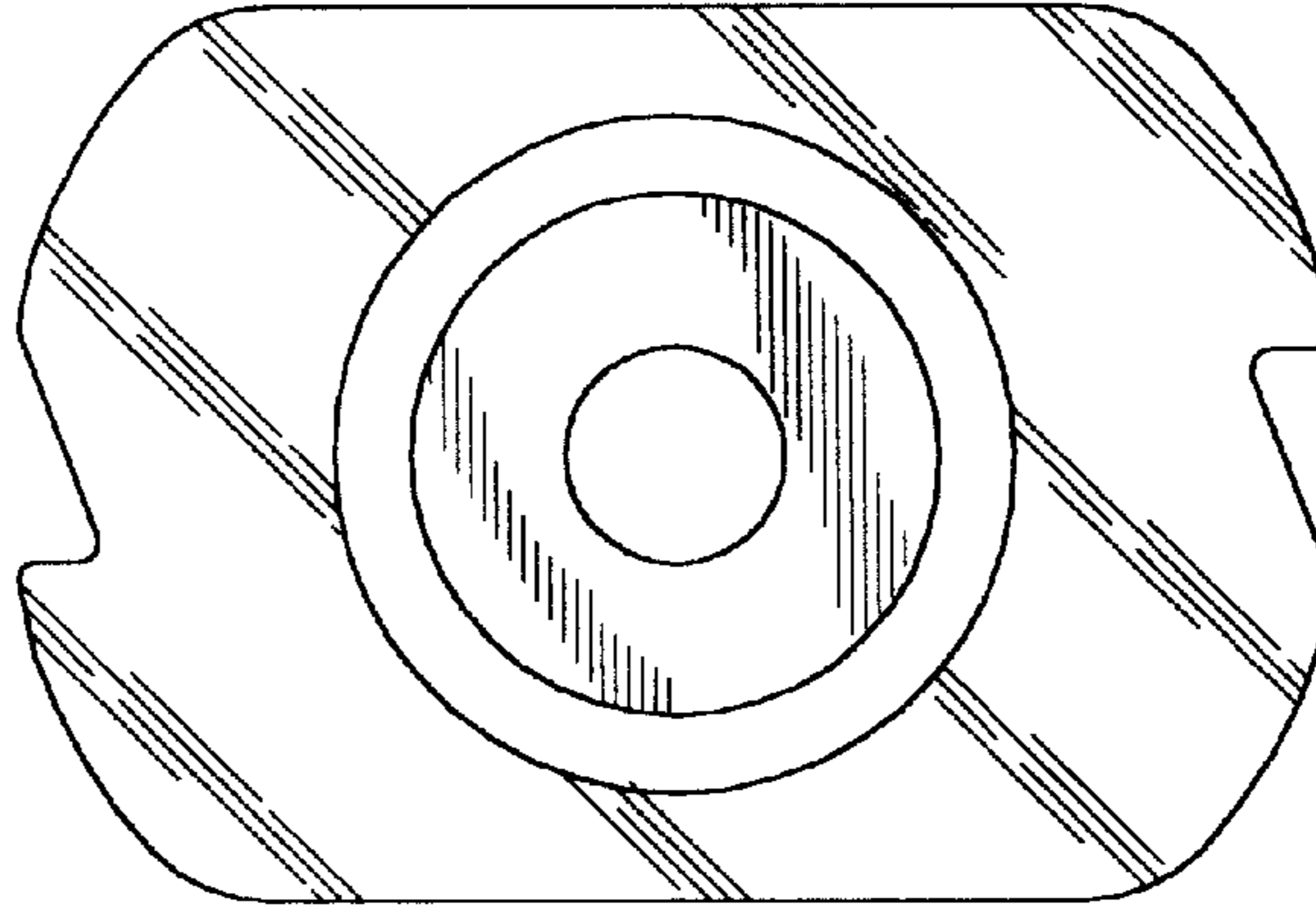


FIG. 3

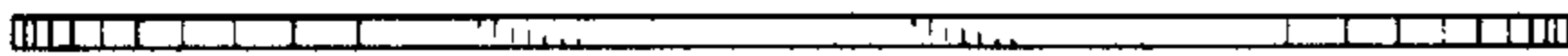


FIG. 4



FIG. 5

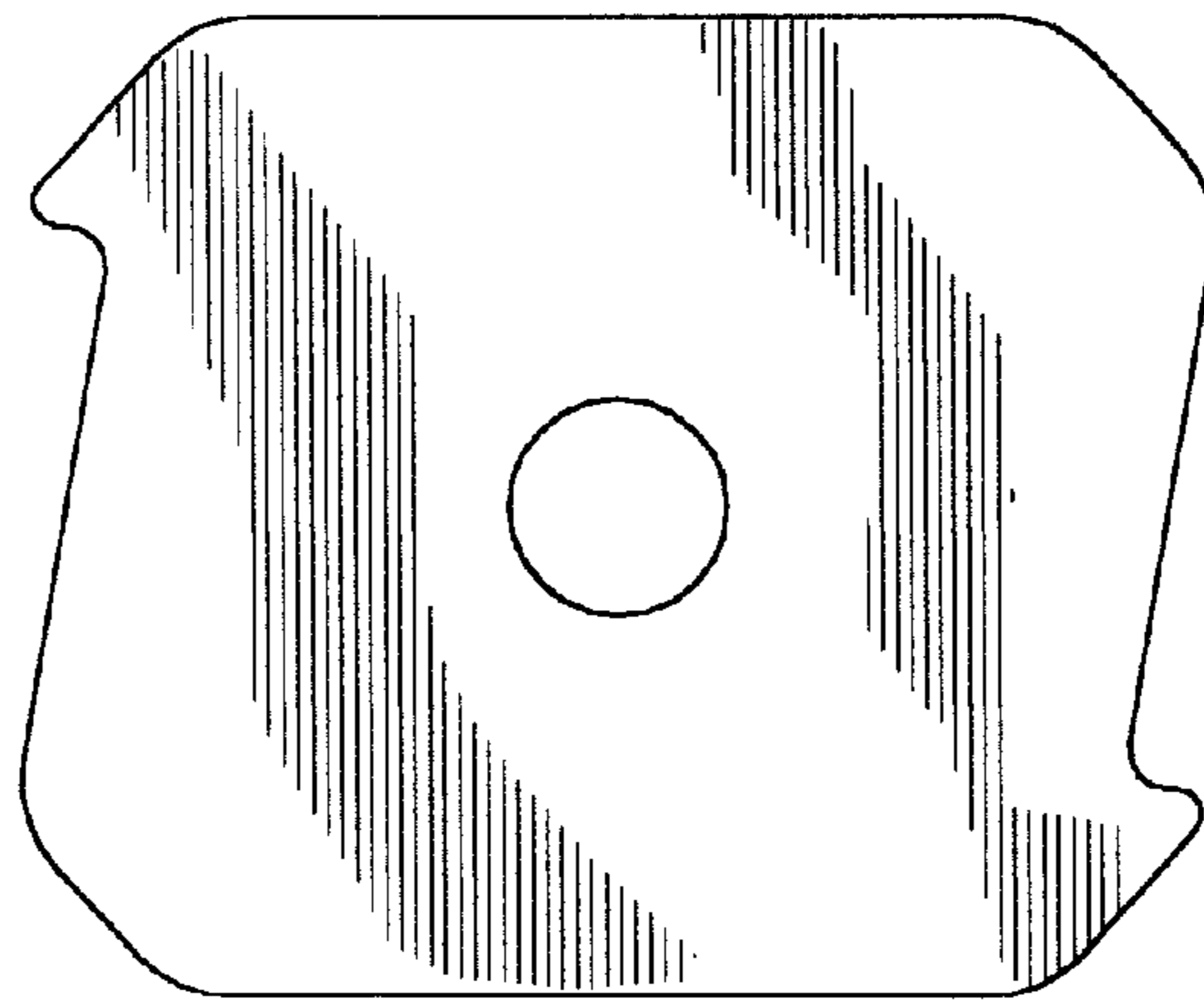


FIG. 6

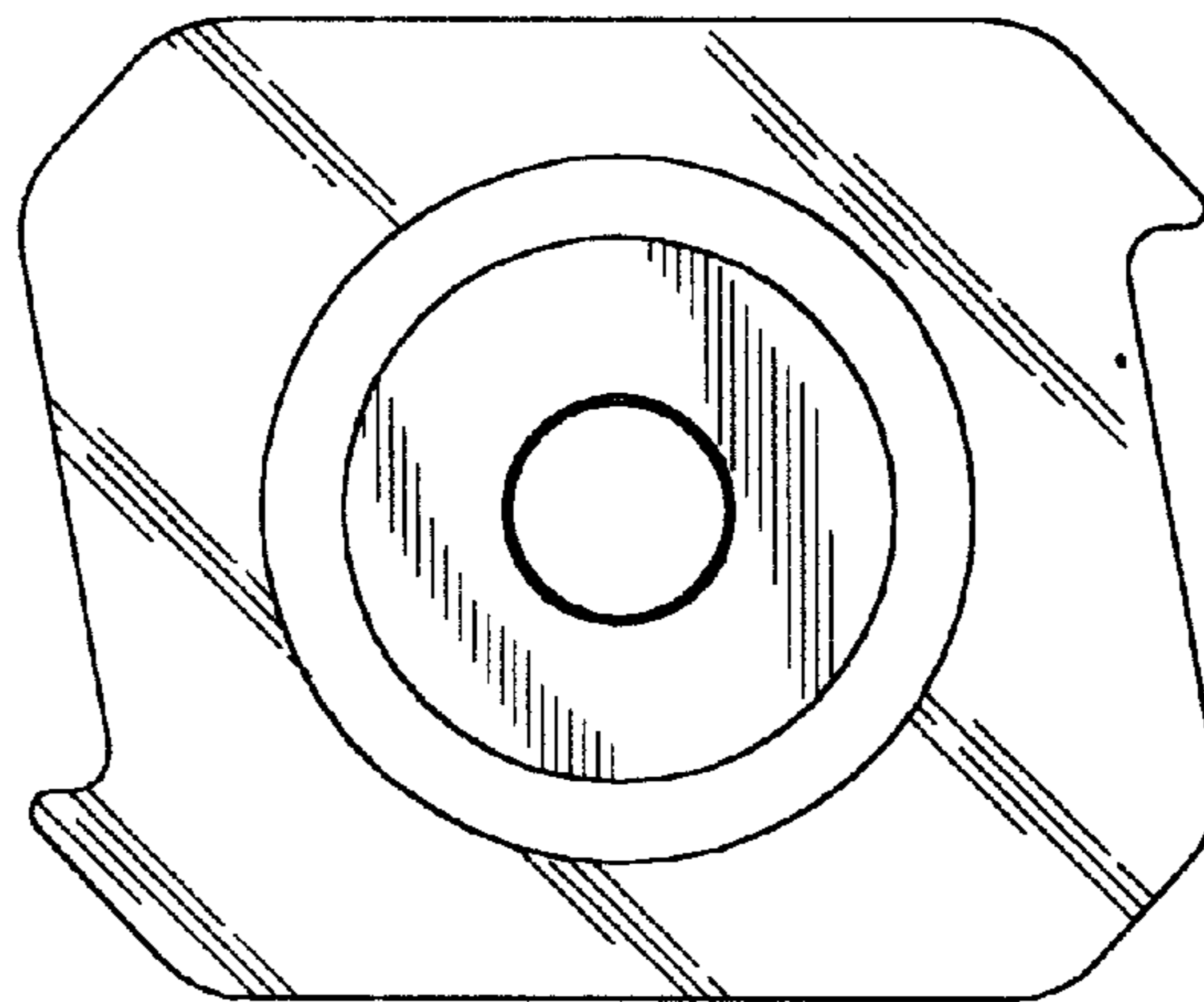


FIG. 7

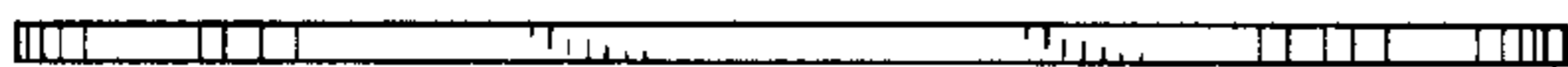


FIG. 8

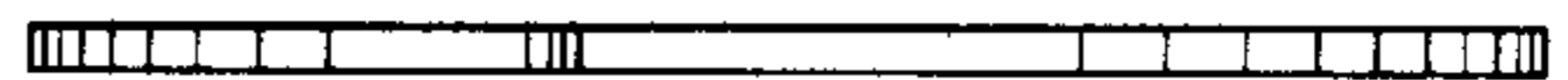


FIG. 9

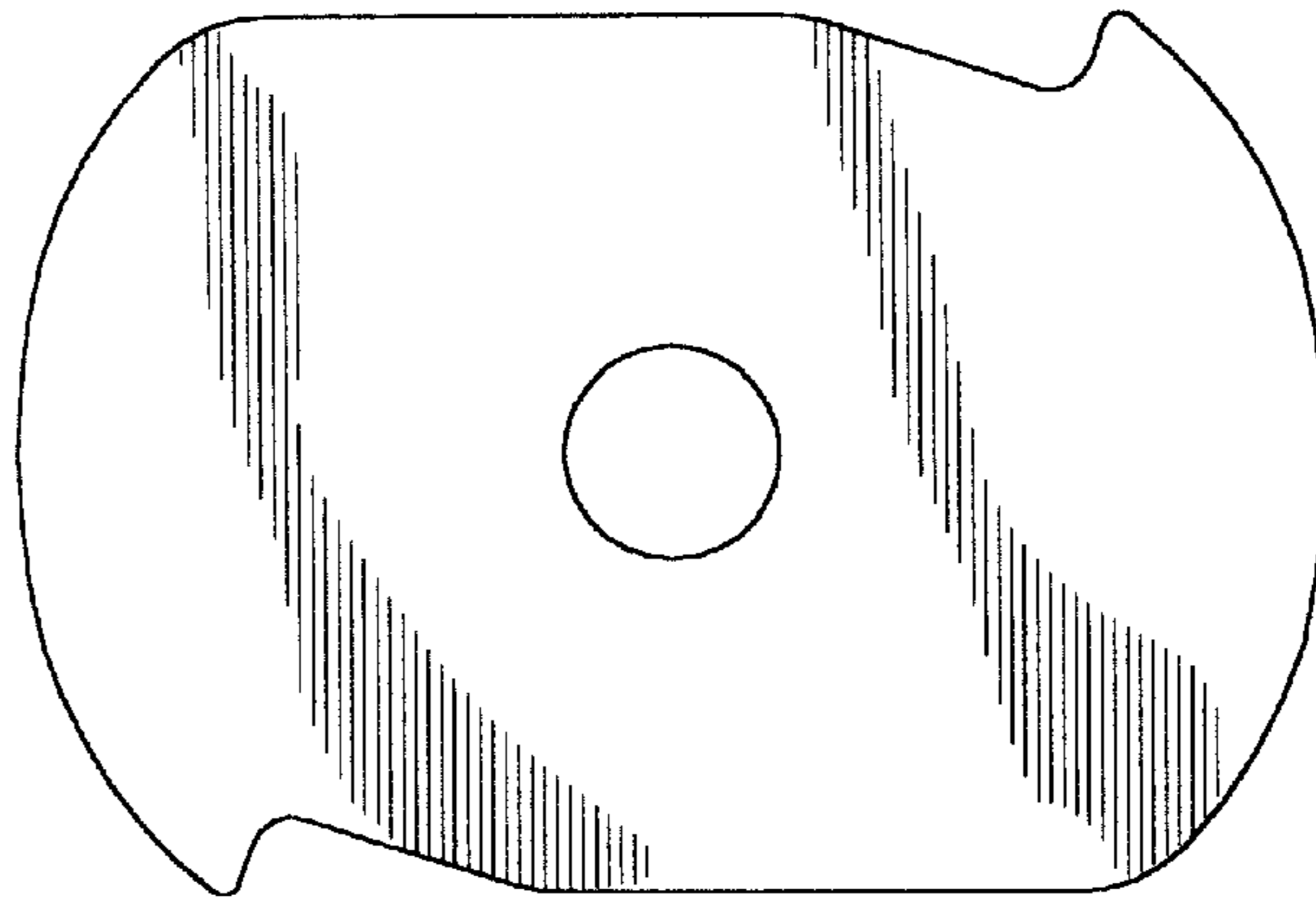


FIG. 10

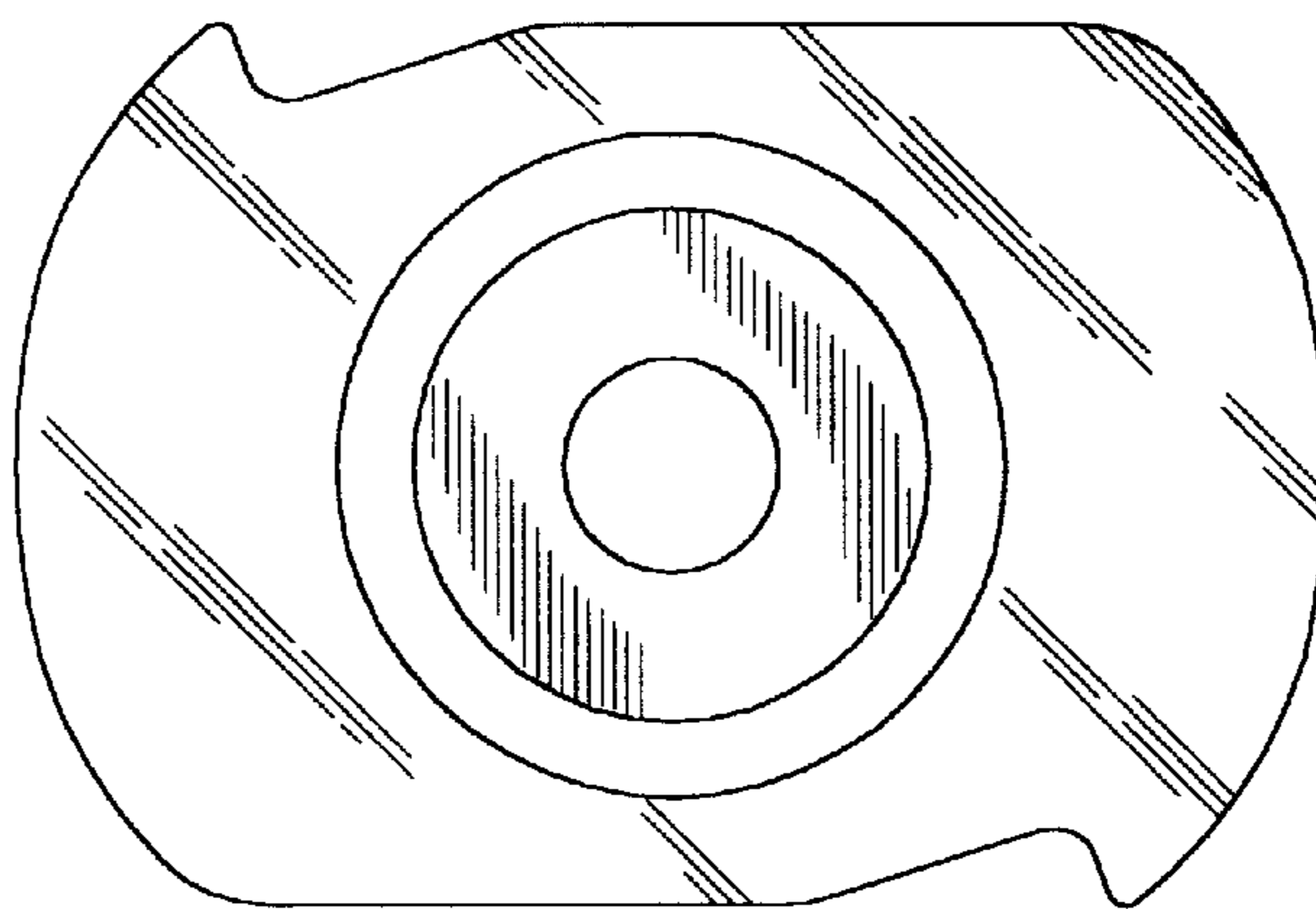


FIG. 11

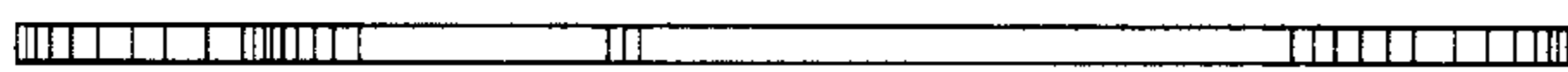
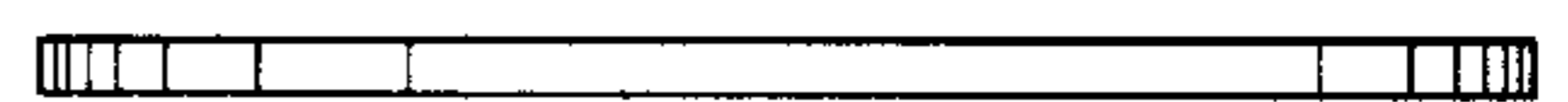


FIG. 12



UNITED STATES PATENT AND TRADEMARK OFFICE  
**CERTIFICATE OF CORRECTION**

PATENT NO. : Des 444,153 S  
DATED : June 26, 2001  
INVENTOR(S) : Jasbir K. Dhillon

Page 1 of 1

It is certified that error appears in the above-identified patent and that said Letters Patent is hereby corrected as shown below:

Title page,

After "Inventor:" delete "Jasbir K. Dhillon" and insert -- Jasjit S. Dhillon --.

Signed and Sealed this

Nineteenth Day of March, 2002

*Attest:*

A handwritten signature in black ink, appearing to read "James E. Rogan", written over a horizontal line.

*Attesting Officer*

JAMES E. ROGAN  
*Director of the United States Patent and Trademark Office*