



US00D444147S

(12) **United States Design Patent**
O'Donnell

(10) **Patent No.:** **US D444,147 S**

(45) **Date of Patent:** **** Jun. 26, 2001**

(54) **PHONOGRAPH CARTRIDGE**

(75) **Inventor:** **John E. O'Donnell**, Barrington, RI (US)

(73) **Assignee:** **Numark Industries, LLC**, North Kingstown, RI (US)

(**) **Term:** **14 Years**

(21) **Appl. No.:** **29/117,959**

(22) **Filed:** **Feb. 2, 2000**

(51) **LOC (7) Cl.** **14-01**

(52) **U.S. Cl.** **D14/263**

(58) **Field of Search** D14/199, 261, D14/262, 263; 73/105; 369/170, 171, 177, 249, 256, 270; 381/98, 97

(56) **References Cited**

U.S. PATENT DOCUMENTS

D. 274,810	*	7/1984	Jones et al.	D14/263
D. 278,147	*	3/1985	Kuykendall et al.	D14/263
1,193,825		8/1916	Roop .	
1,401,006		12/1921	Soderberg .	
2,309,060		1/1943	Glaser	240/2.12
2,949,529		8/1960	Ogawa	240/2.12
3,281,150		10/1966	Wilkins	274/1

4,325,132 * 4/1982 Kuehn 369/256

4,776,212 * 10/1988 Parsons et al. 73/105

4,779,170 10/1988 Lockwood et al. 362/87

* cited by examiner

Primary Examiner—Nanda Bondade

(74) *Attorney, Agent, or Firm*—Barlow, Josephs & Holmes, Ltd.

(57) **CLAIM**

The ornamental design for a phonograph cartridge, as shown and described.

DESCRIPTION

FIG. 1 is a front perspective view of a phonograph cartridge showing my new design;

FIG. 2 is a left side elevational view thereof;

FIG. 3 is a top view thereof;

FIG. 4 is a right side elevational view thereof;

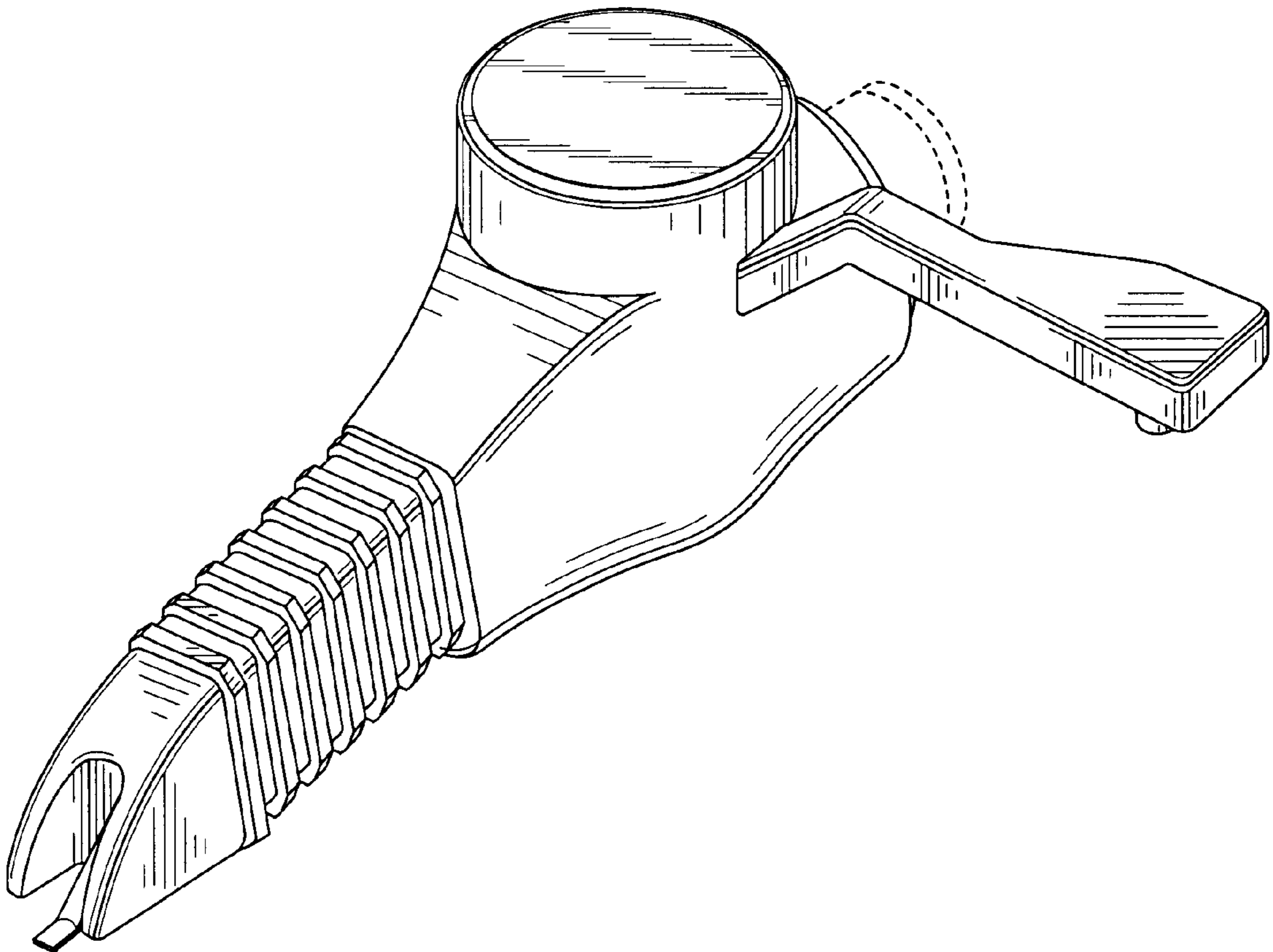
FIG. 5 is a bottom view thereof;

FIG. 6 is a rear elevational view thereof; and,

FIG. 7 is a front elevational view thereof.

The broken line showing of a connector plug in FIGS. 1–6 is for illustrative purposes only and forms no part of the claimed design.

1 Claim, 4 Drawing Sheets



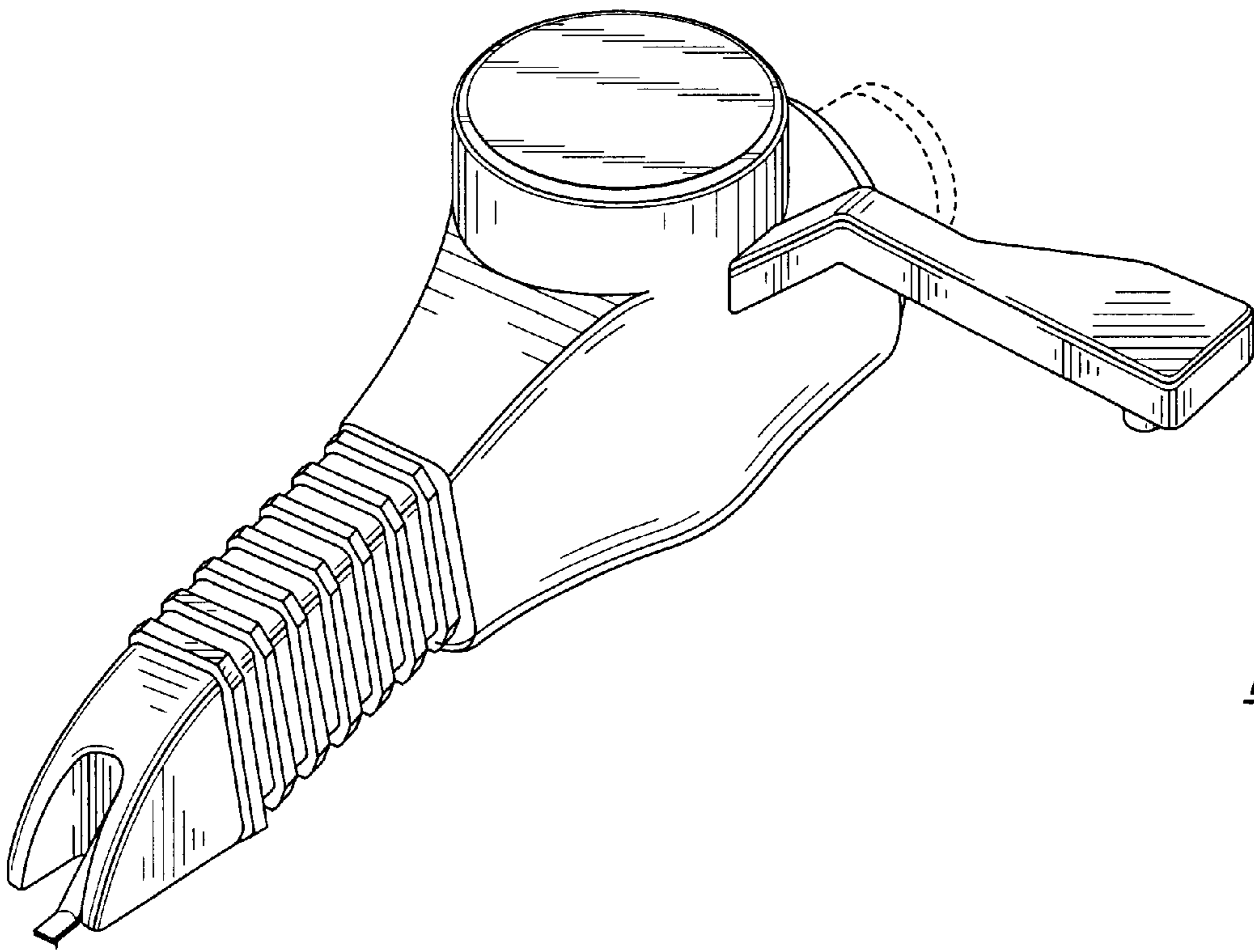


FIG. 1.

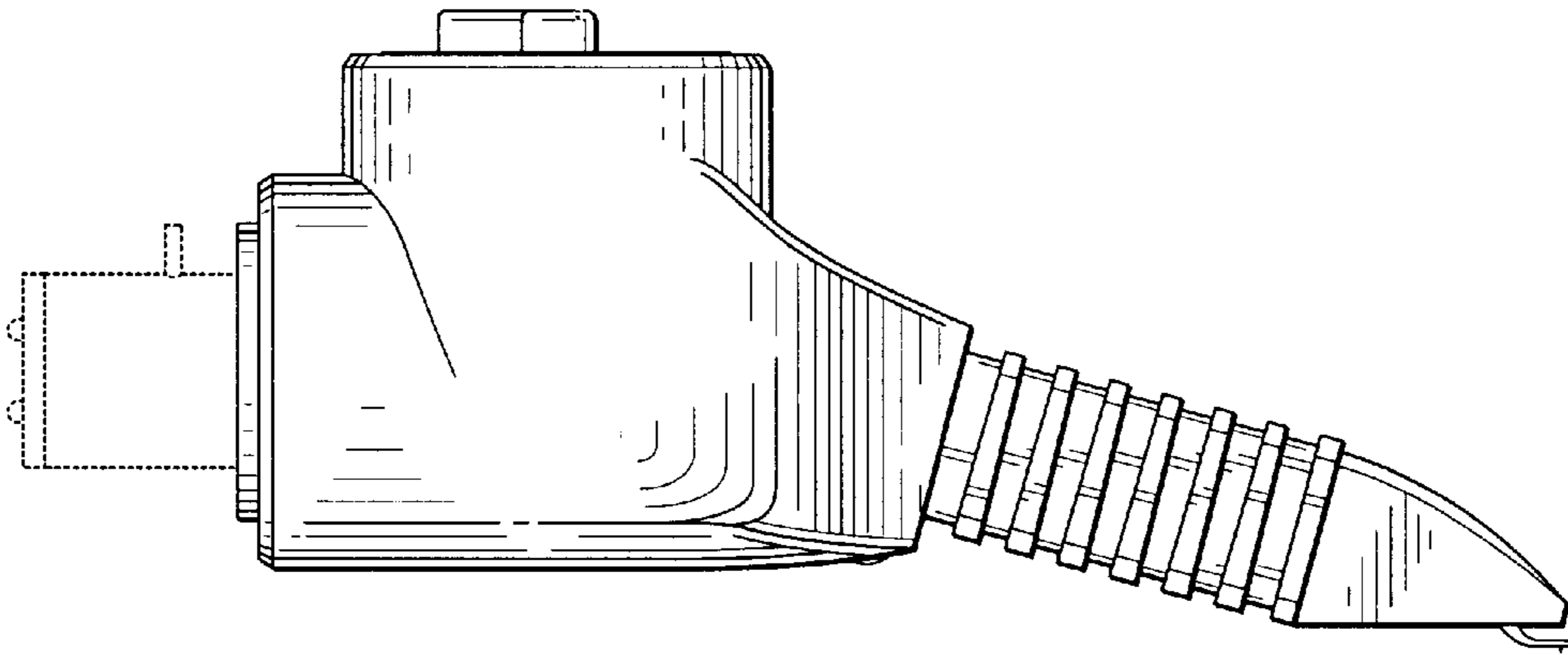


FIG. 2.

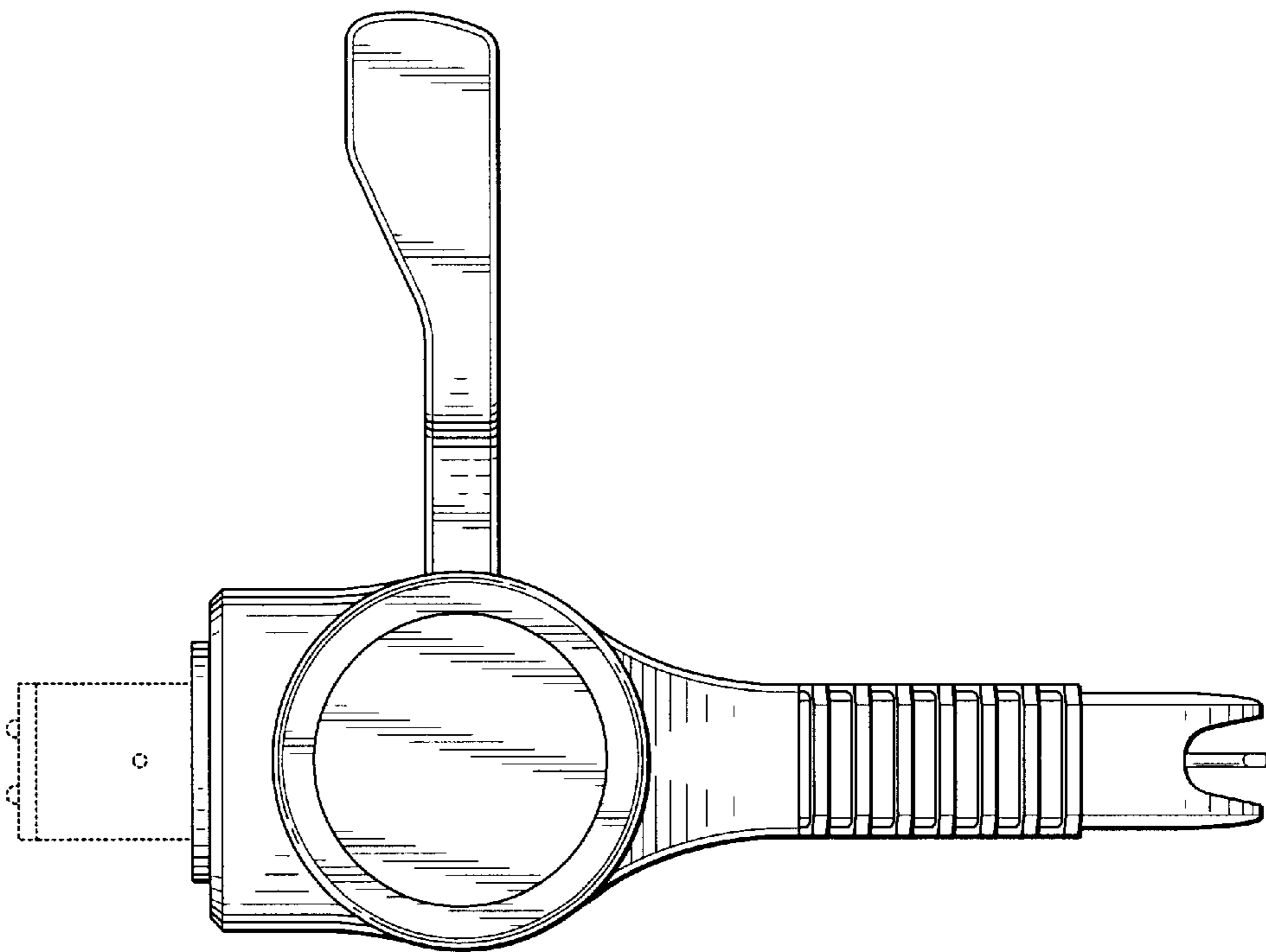


FIG. 3.

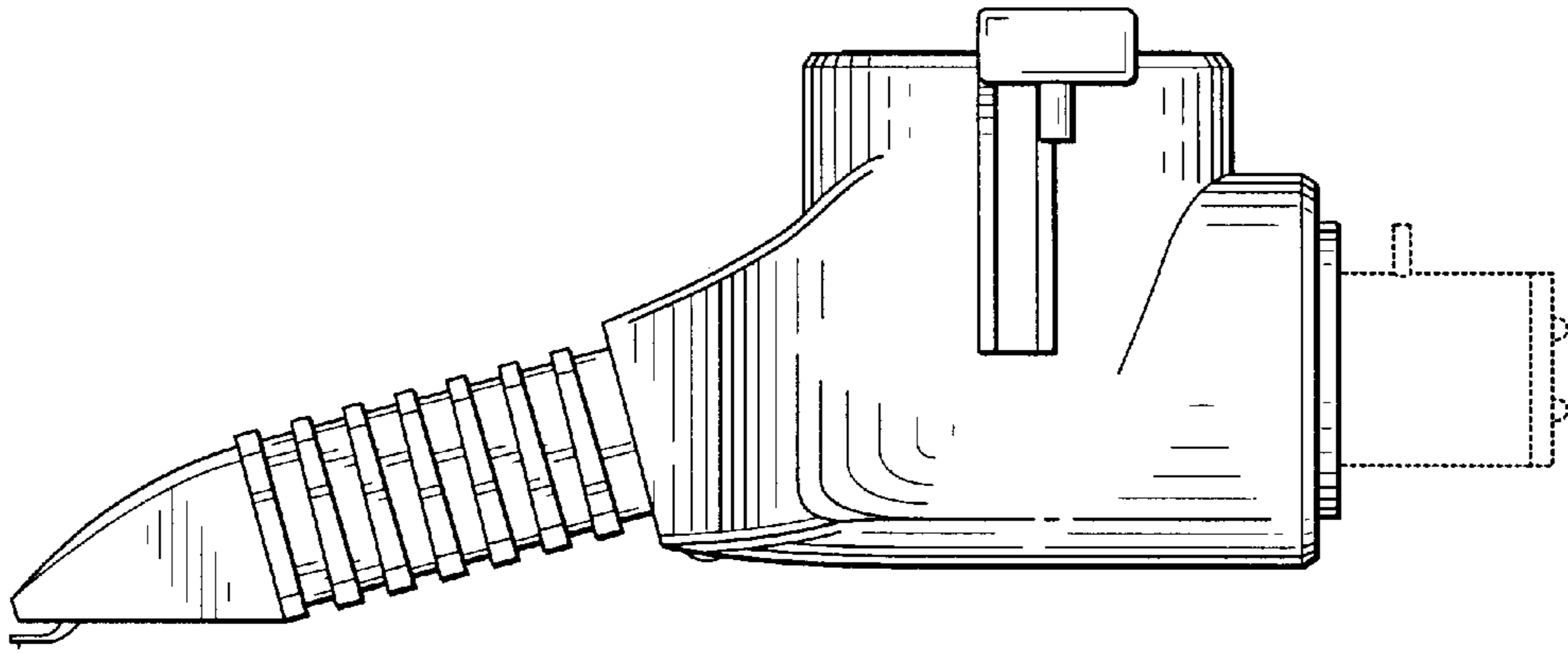


FIG. 4.

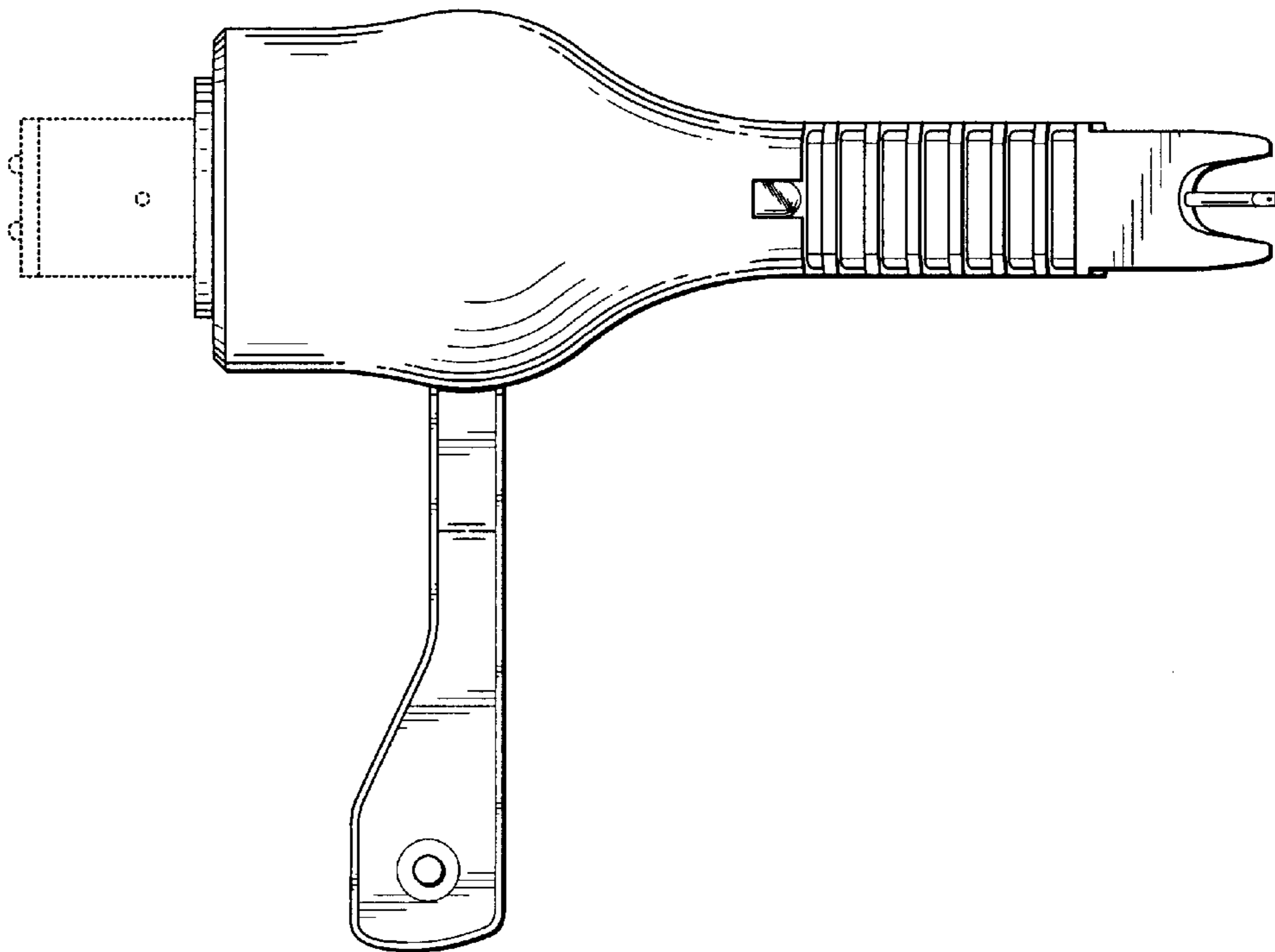


FIG. 5.

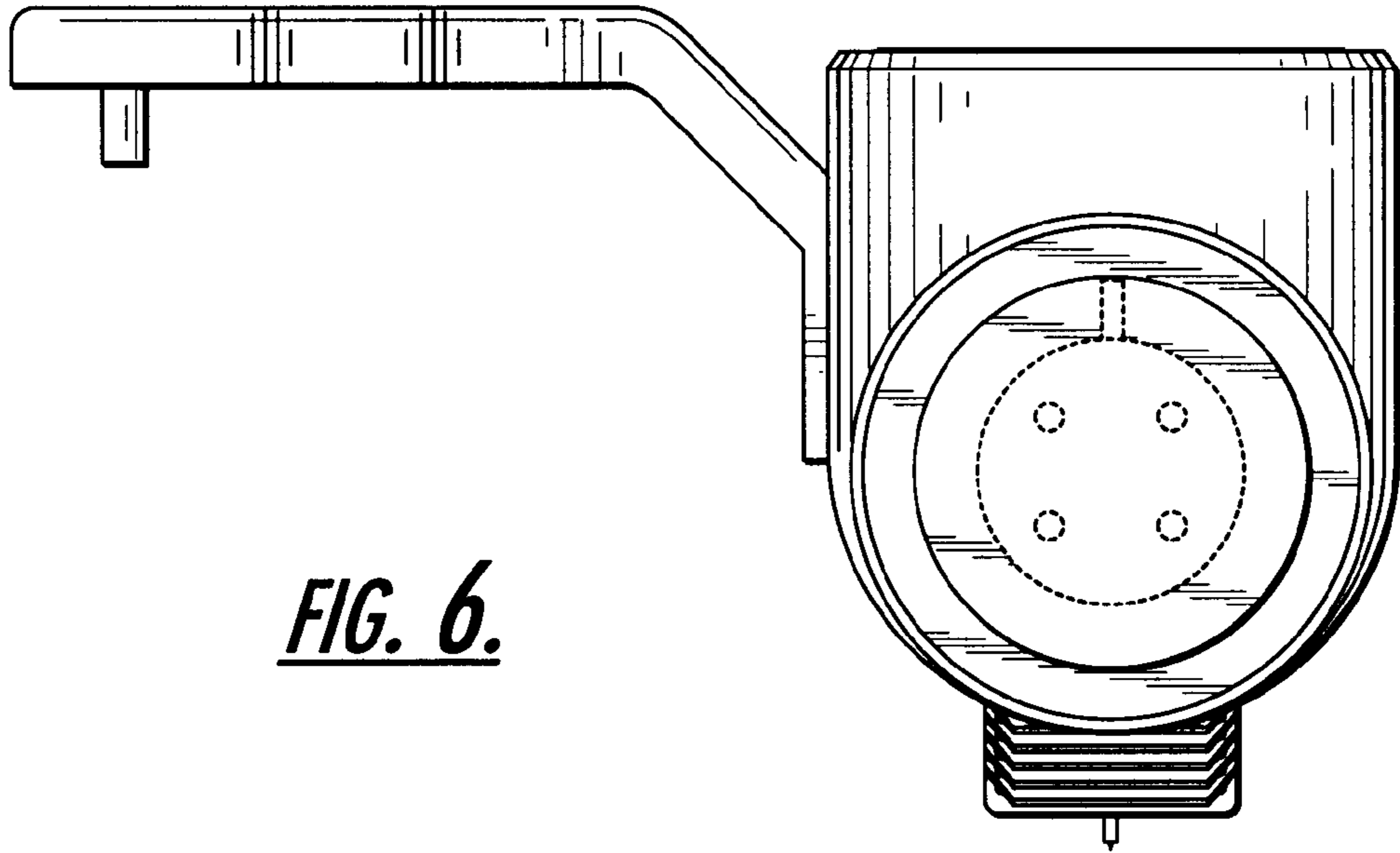


FIG. 6.

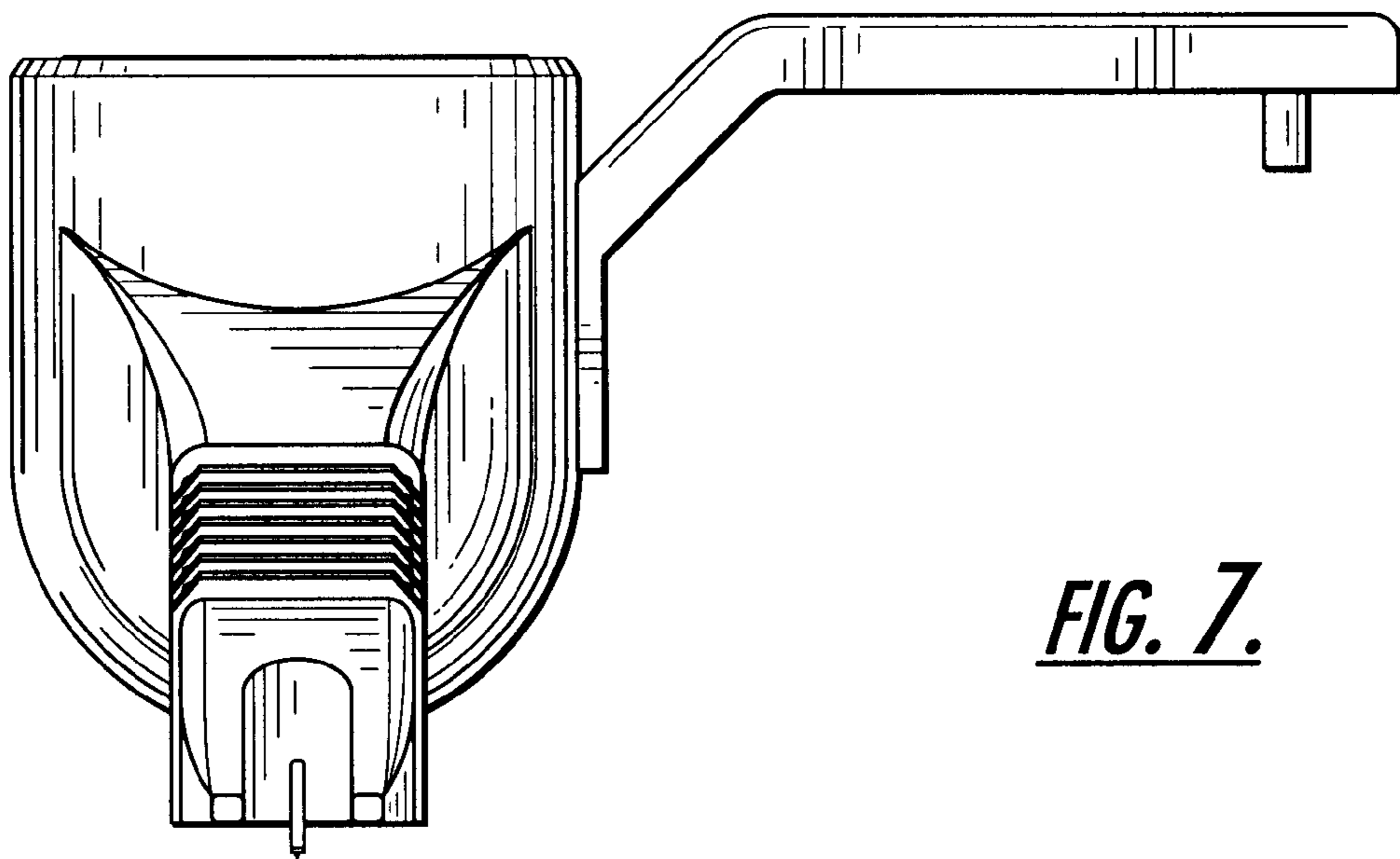


FIG. 7.