



US00D444146S

(12) **United States Design Patent**
Weiland et al.

(10) **Patent No.:** **US D444,146 S**

(45) **Date of Patent:** **** Jun. 26, 2001**

(54) **TELEMATICS RADIO BEZEL**

(75) Inventors: **Alan Weiland**, Garden City; **Shadi Mere**, Ypsilanti; **Thomas J. Buckingham**, Novi, all of MI (US)

(73) Assignee: **Visteon Global Technologies, Inc.**, Dearborn, MI (US)

(**) Term: **14 Years**

(21) Appl. No.: **29/128,526**

(22) Filed: **Aug. 25, 2000**

(51) **LOC (7) Cl.** **14-03**

(52) **U.S. Cl.** **D14/258**

(58) **Field of Search** D14/157, 257, D14/258, 299; 455/73, 89-90, 128, 345-347

(56) **References Cited**

U.S. PATENT DOCUMENTS

- D. 313,023 * 12/1990 Kolenda et al. D14/157 X
- D. 345,565 * 3/1994 Carter et al. D14/258

- D. 373,128 * 8/1996 Magic et al. D14/258
- D. 405,094 * 2/1999 Buckingham et al. D14/258
- 5,862,468 * 1/1999 Kim D14/258 X

* cited by examiner

Primary Examiner—Nanda Bondade

(74) *Attorney, Agent, or Firm*—Larry I. Shelton; Matthew Mietzel

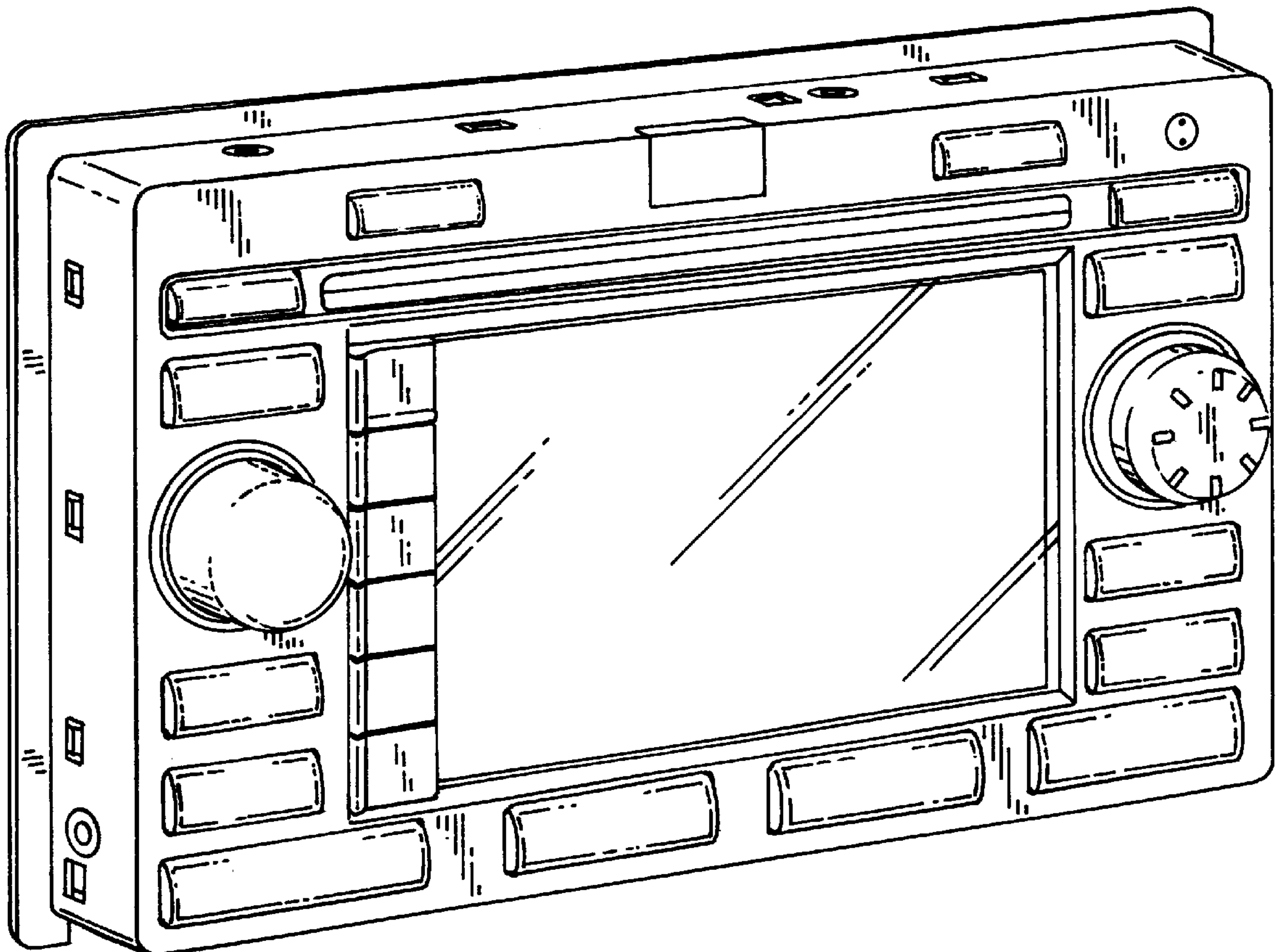
(57) **CLAIM**

The ornamental design for a telematics radio bezel, as shown.

DESCRIPTION

FIG. 1 is a front, top, and left side perspective view of a telematics radio bezel showing our new design;
 FIG. 2 is a front view thereof;
 FIG. 3 is a top view thereof;
 FIG. 4 is a bottom view thereof;
 FIG. 5 is a left side view thereof; and,
 FIG. 6 is a right side view thereof.

1 Claim, 2 Drawing Sheets



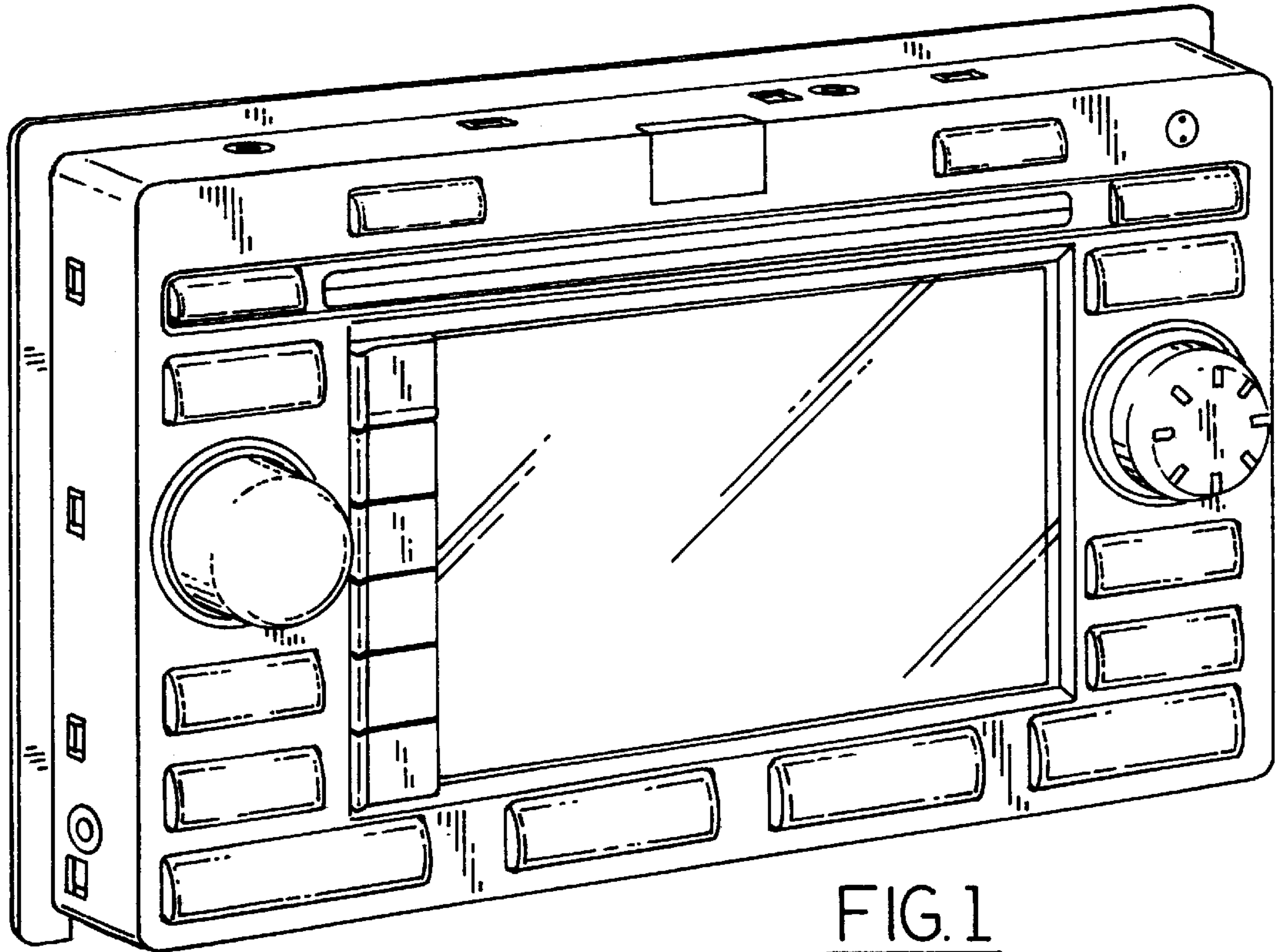


FIG. 1

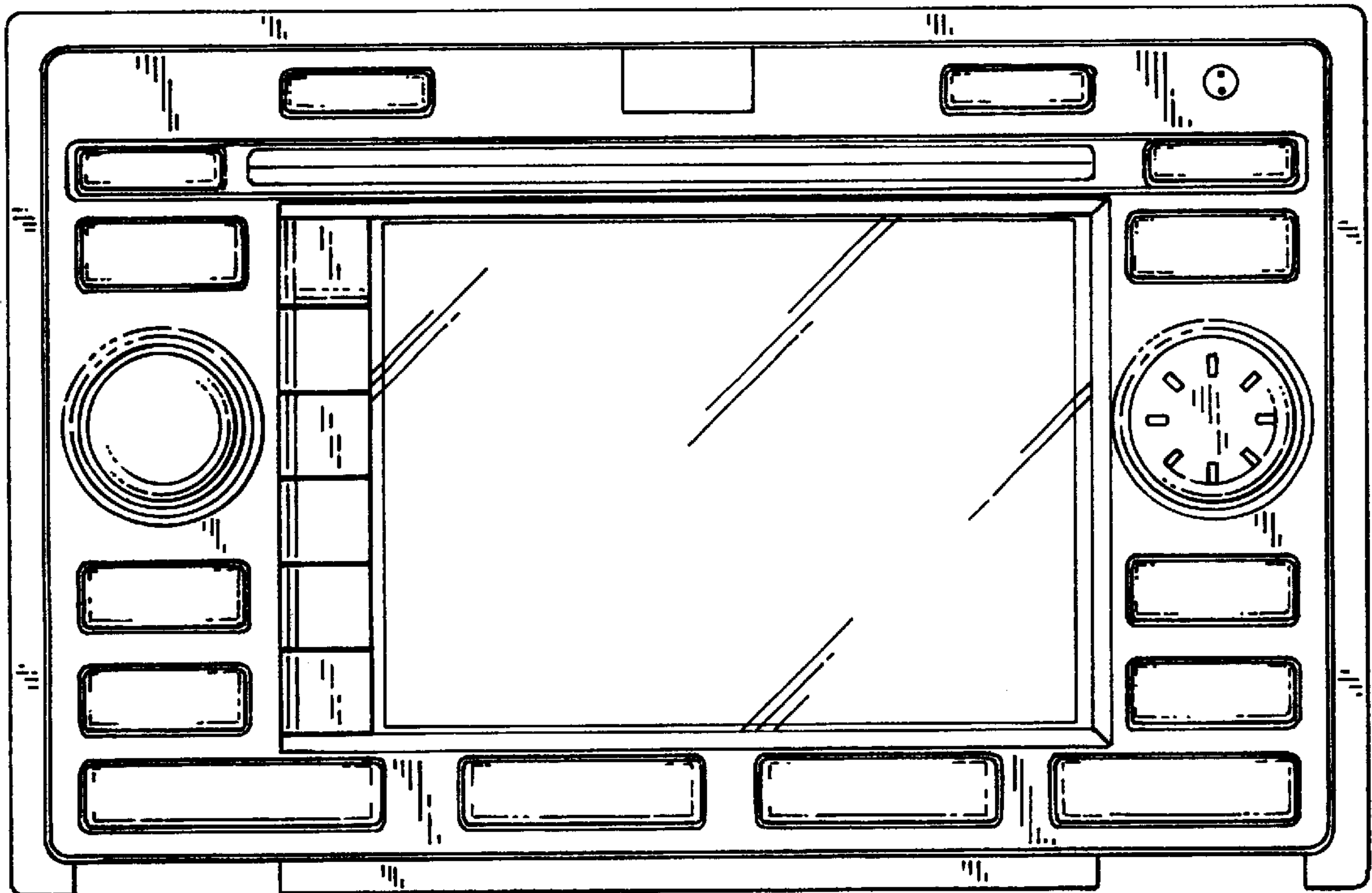


FIG. 2

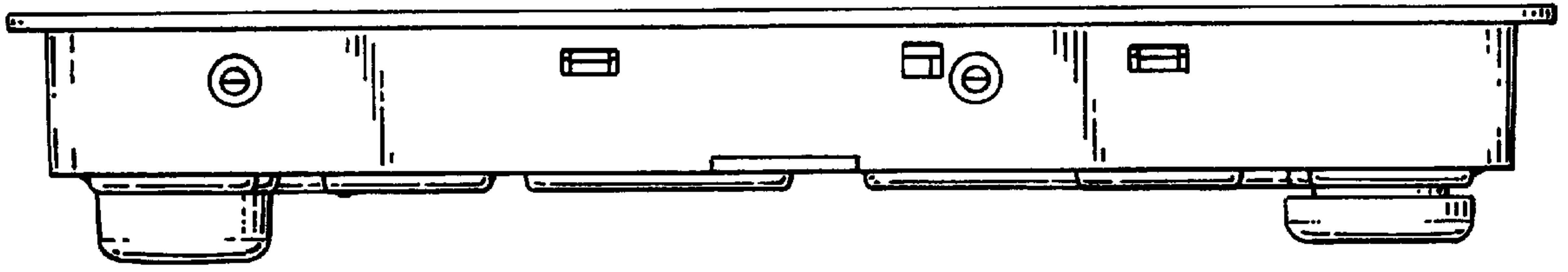


FIG. 3

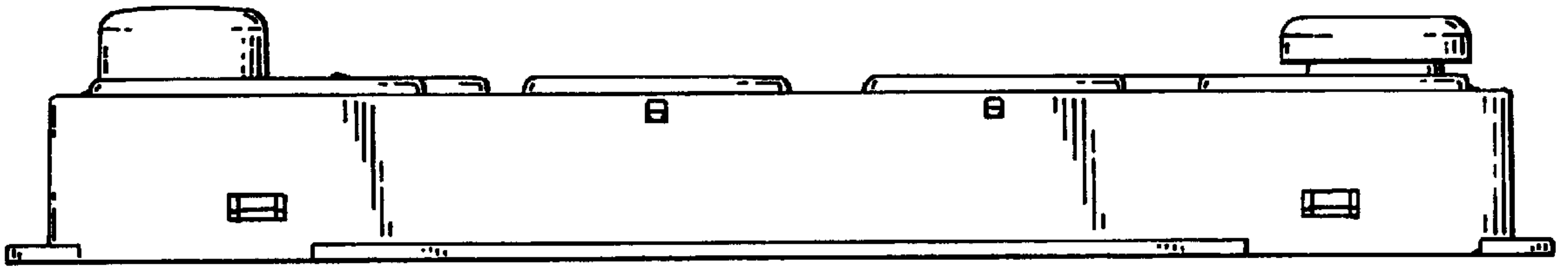


FIG. 4

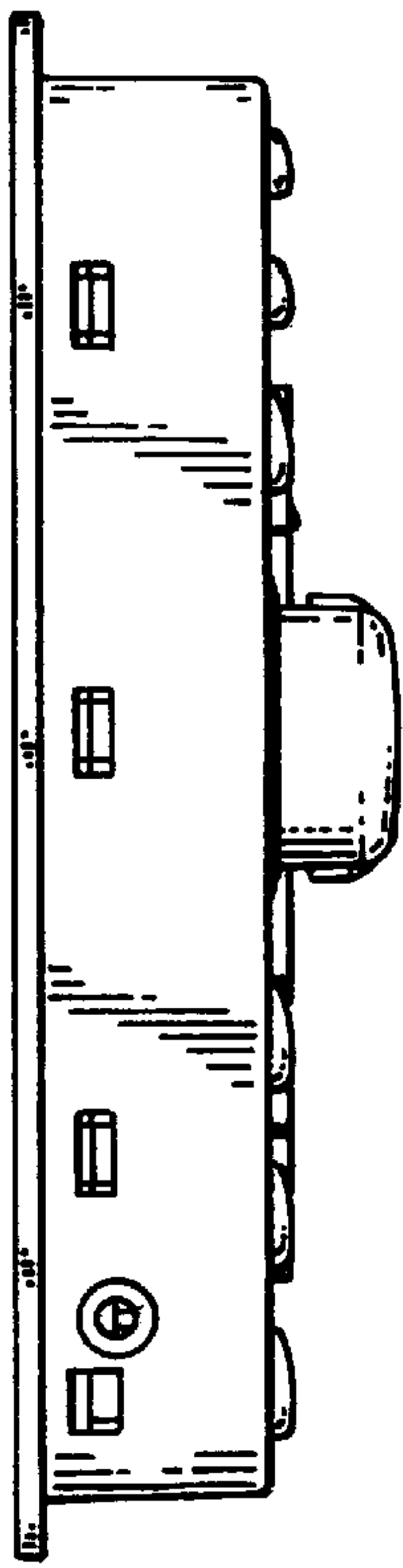


FIG. 5

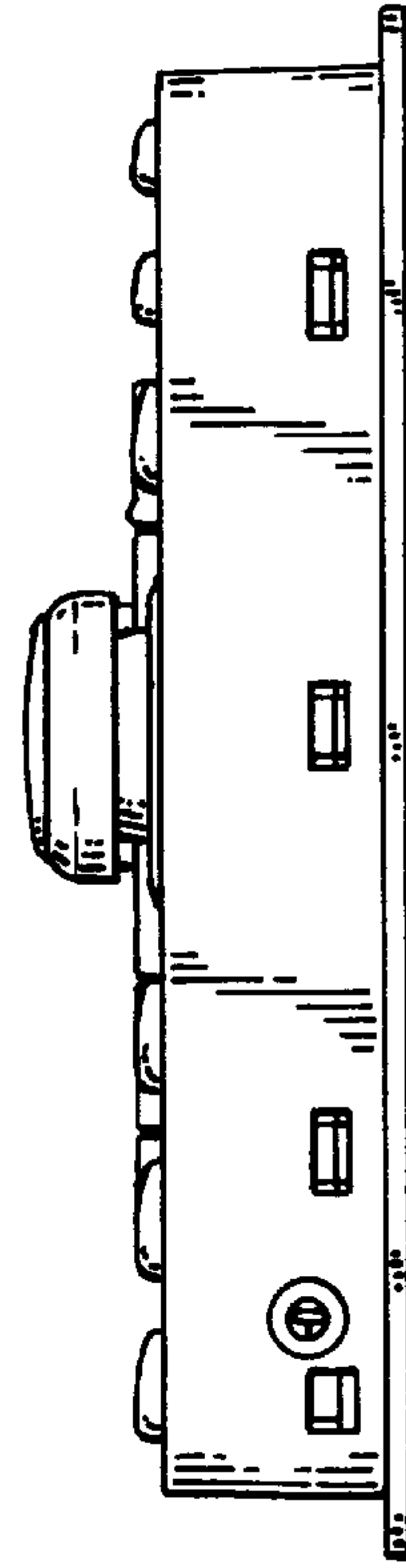


FIG. 6