



US00D444144S

(12) **United States Design Patent**
Warner et al.

(10) **Patent No.:** **US D444,144 S**
(45) **Date of Patent:** **** Jun. 26, 2001**

(54) **ANTENNA HOUSING**

(75) Inventors: **Jack S. Warner**, Campbell; **Martin C. Bringuel**, San Jose, both of CA (US)

(73) Assignee: **Trimble Navigation Limited**, Sunnyvale, CA (US)

(**) Term: **14 Years**

(21) Appl. No.: **29/126,338**

(22) Filed: **Jul. 12, 2000**

(51) **LOC (7) Cl.** **14-03**

(52) **U.S. Cl.** **D14/231; D14/230**

(58) **Field of Search** **D14/230-238;**
343/702, 872

(56) **References Cited**

U.S. PATENT DOCUMENTS

D. 227,785	*	7/1973	Kaysen	D14/233
D. 363,935	*	11/1995	MsGreevy	D14/230
D. 426,827	*	6/2000	Tsai Wang	D14/231
6,040,805	*	3/2000	Huynh et al.	343/872

* cited by examiner

Primary Examiner—Louis S. Zarfaz

Assistant Examiner—Gregory Andoll

(74) *Attorney, Agent, or Firm*—Wagner, Murabito & Hao LLP

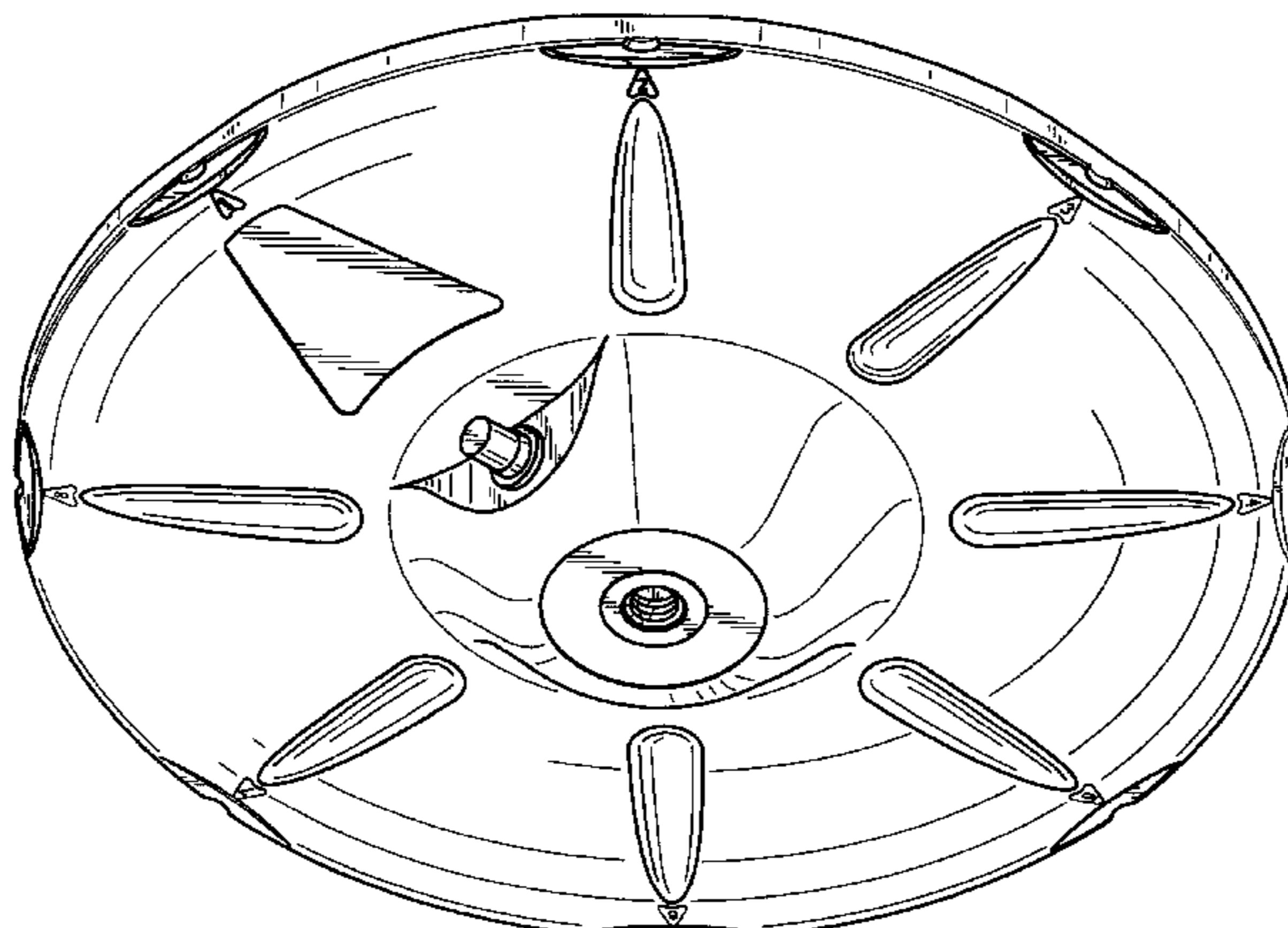
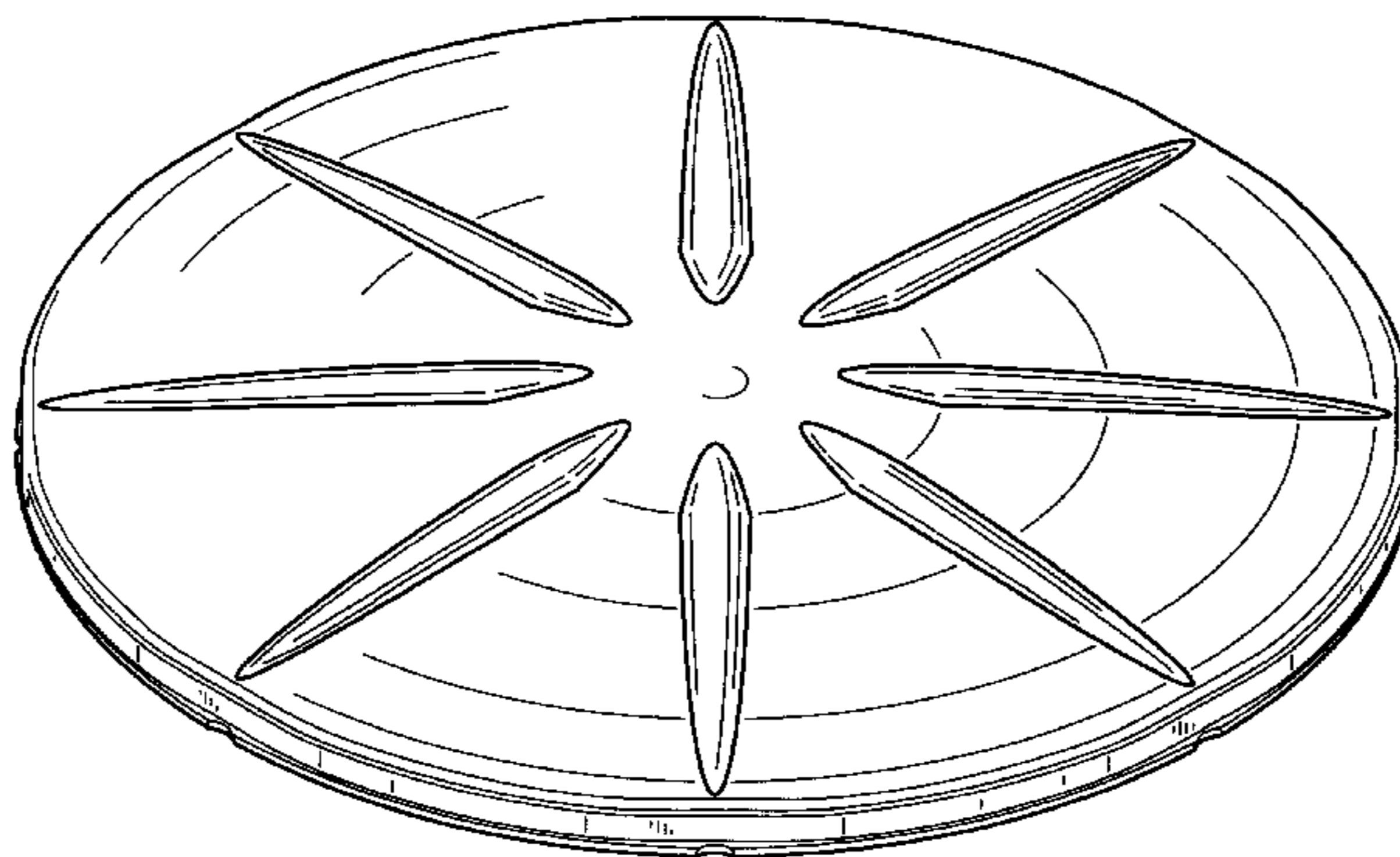
(57) **CLAIM**

We claim the ornamental design for an antenna housing, as shown.

DESCRIPTION

FIG. 1 is an upper left front perspective view, of the antenna housing comprising the present invention;
FIG. 2 is a lower right front perspective view thereof;
FIG. 3 is a front elevational view thereof;
FIG. 4 is a right side elevational view thereof;
FIG. 5 is a rear elevational view thereof;
FIG. 6 is a left side elevational view thereof;
FIG. 7 is a top plan view thereof; and,
FIG. 8 is a bottom plan view thereof.

1 Claim, 3 Drawing Sheets



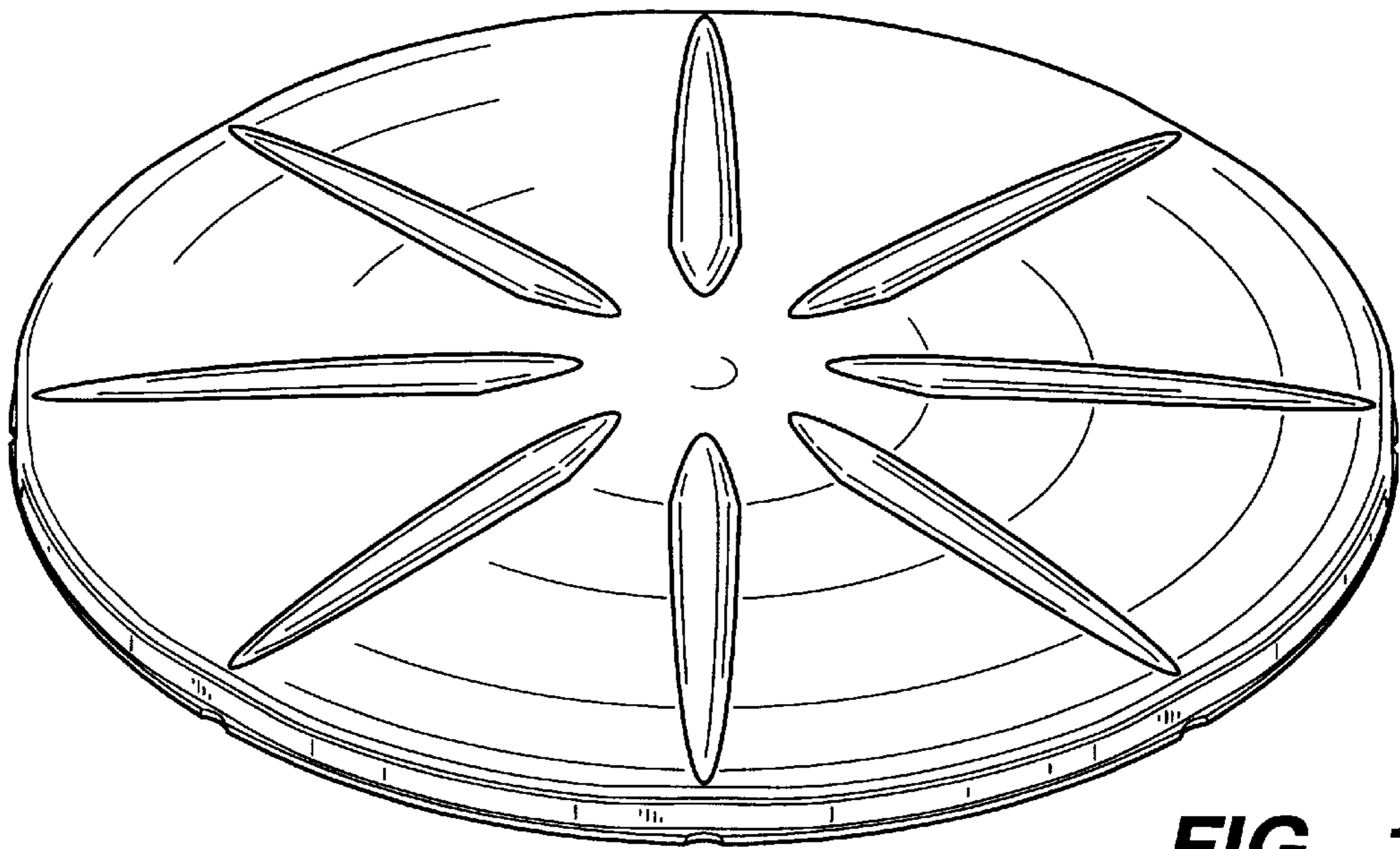


FIG. 1

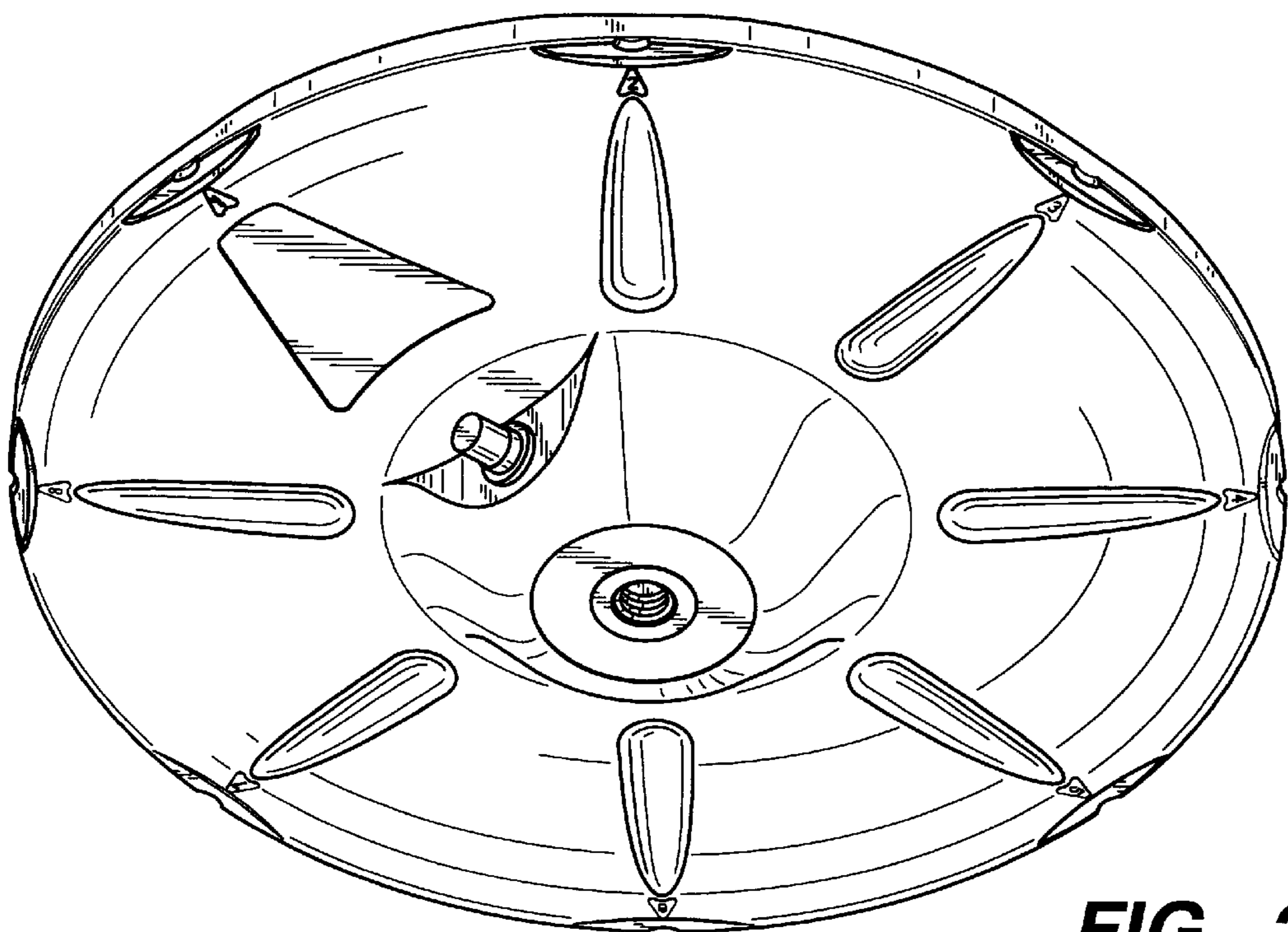


FIG. 2

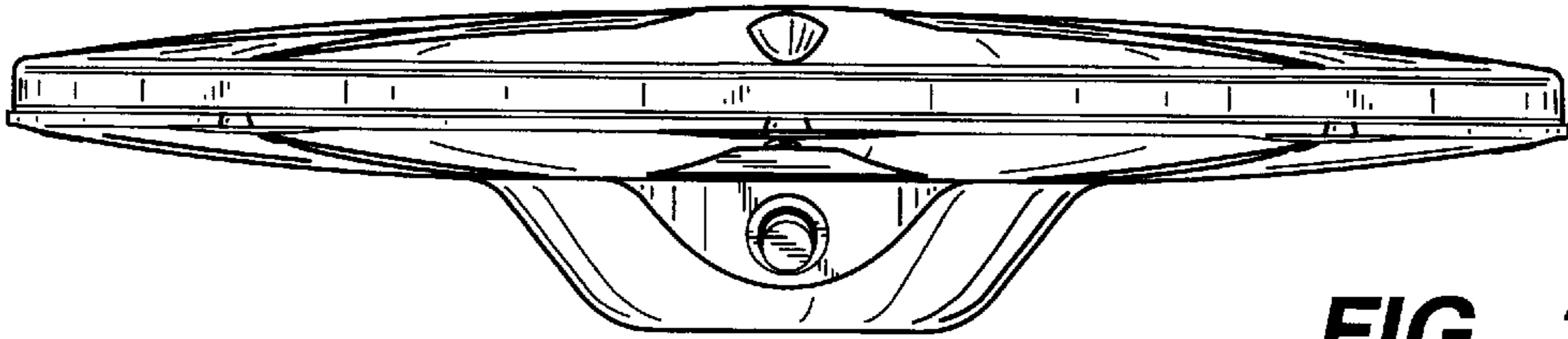


FIG._3

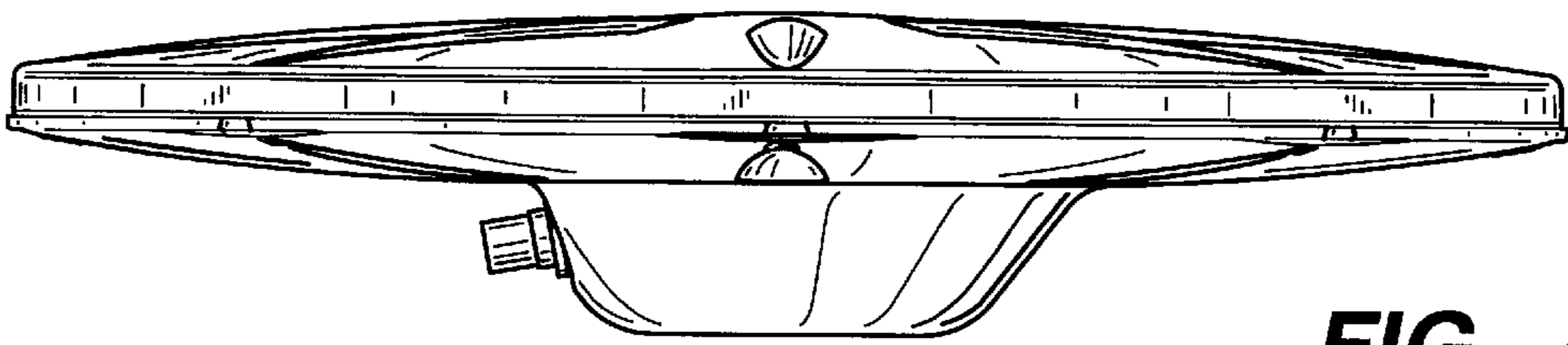


FIG._4

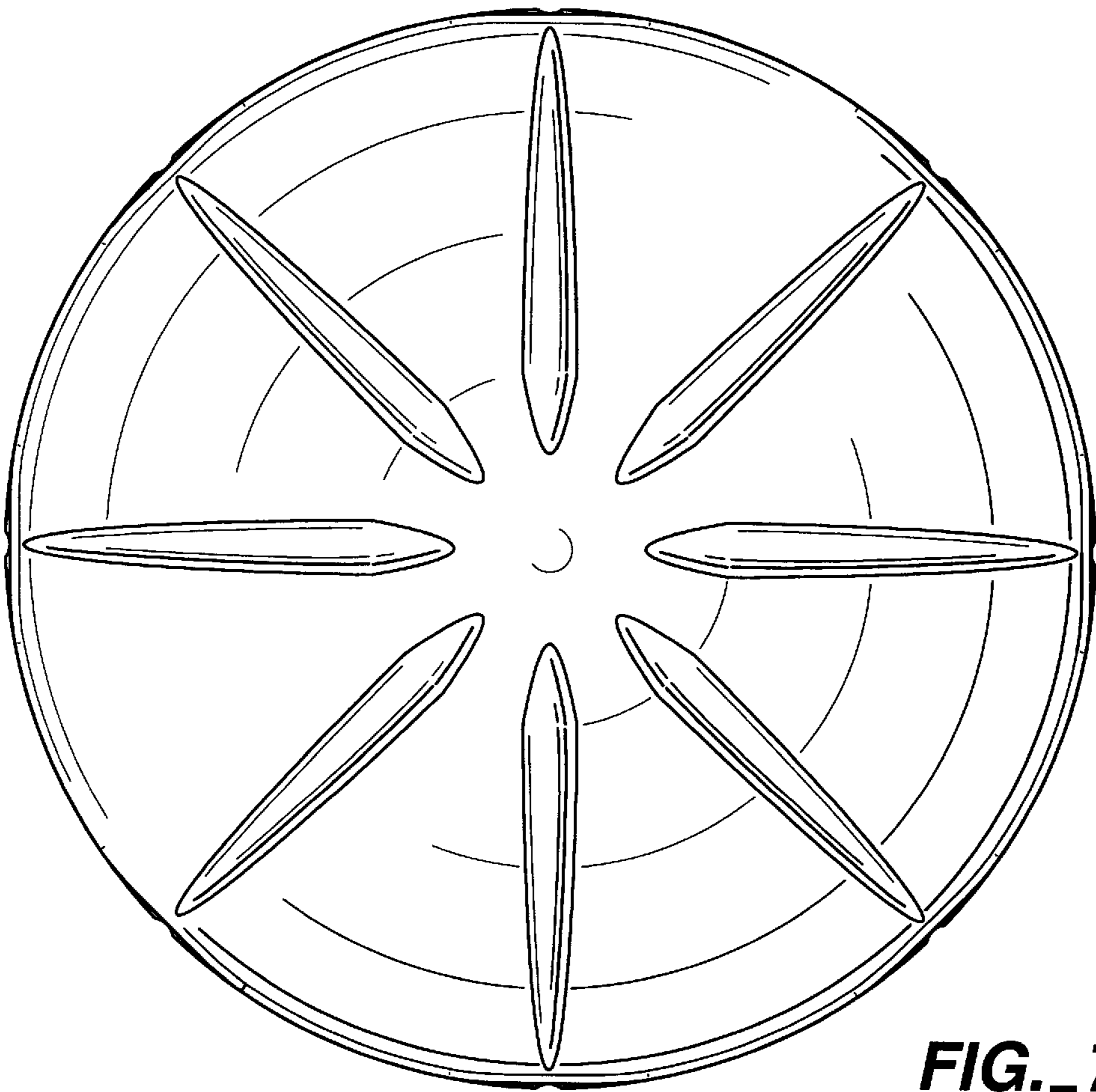


FIG._7

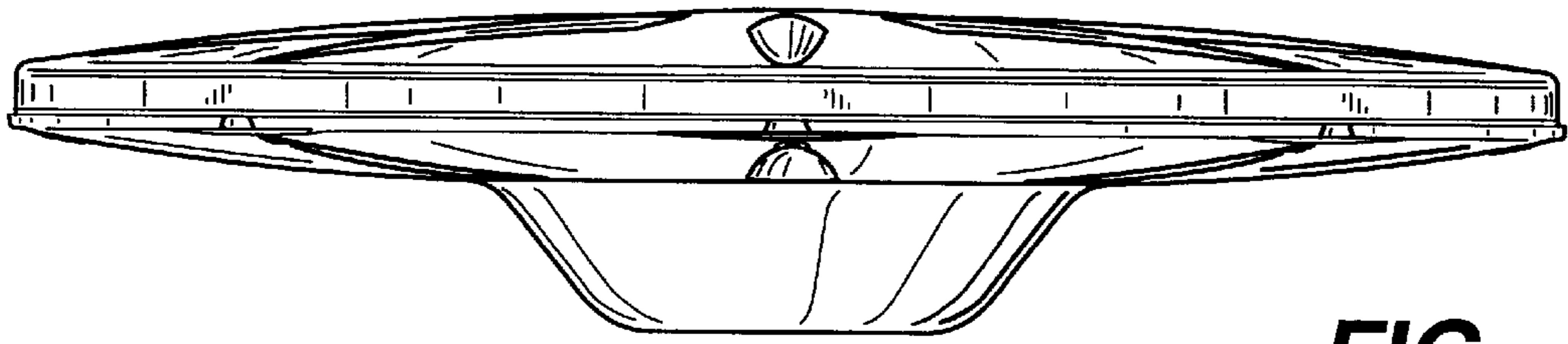


FIG._5

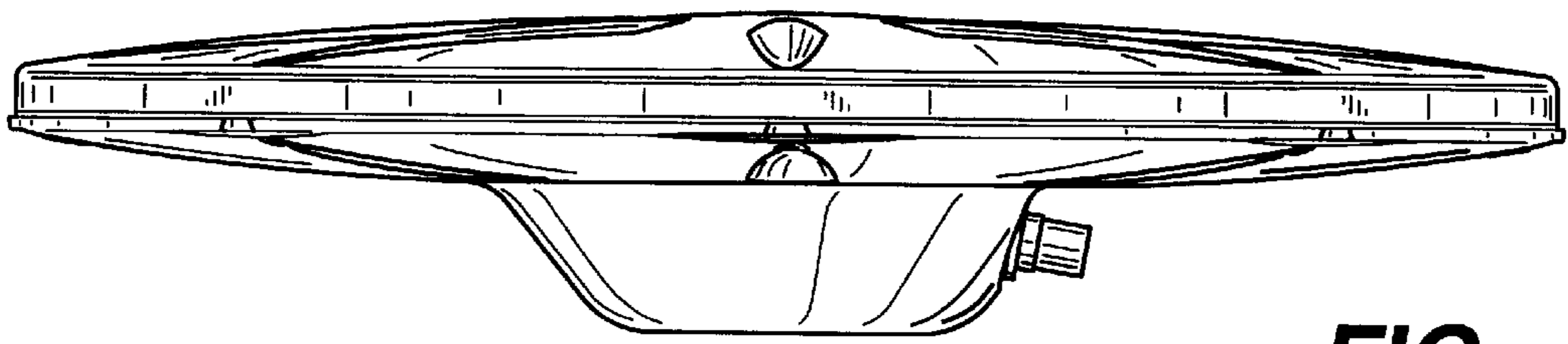


FIG._6

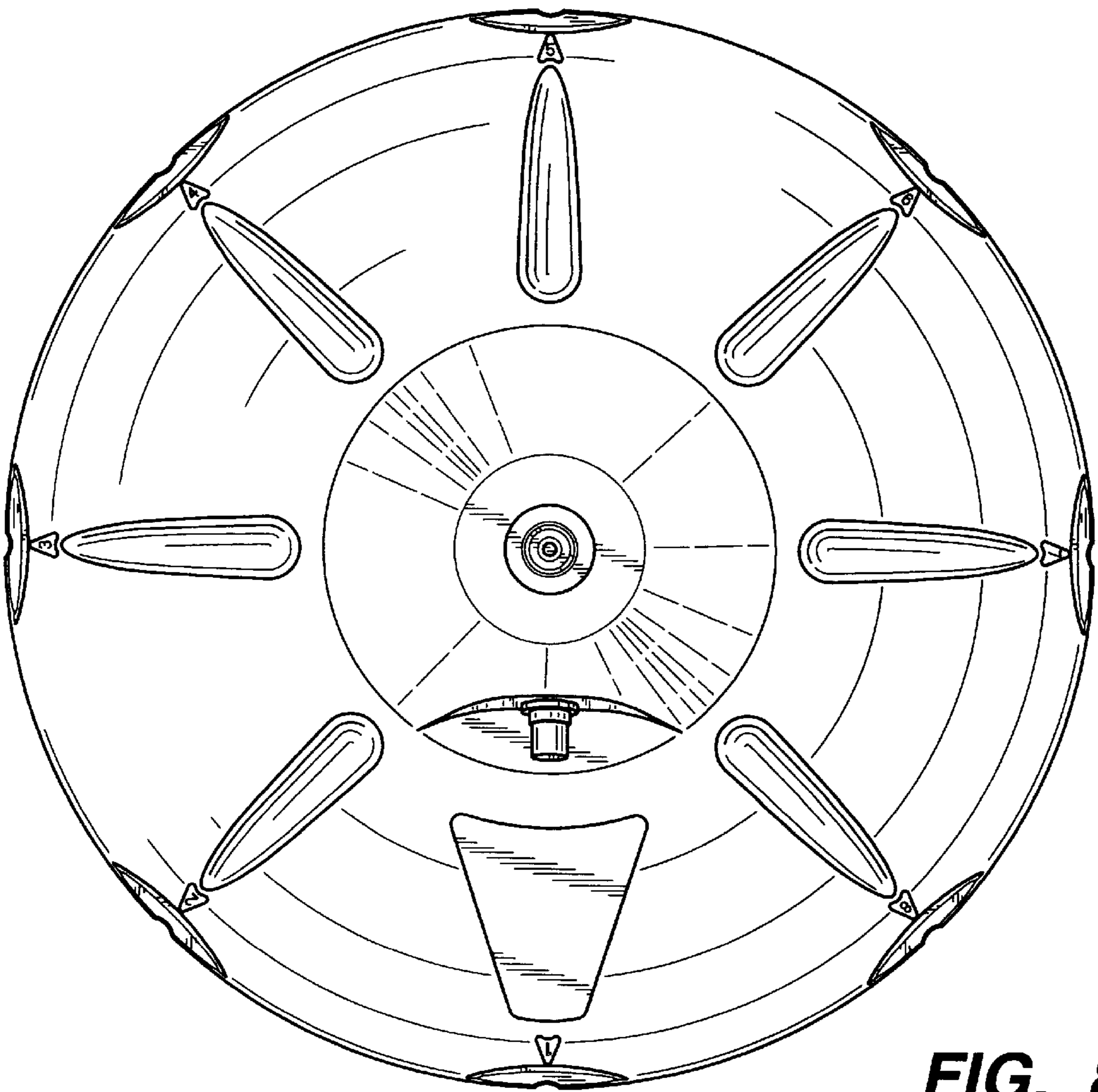


FIG._8