



US00D444142S

(12) **United States Design Patent**  
**Gerdom**

(10) **Patent No.:** **US D444,142 S**

(45) **Date of Patent:** **\*\* Jun. 26, 2001**

(54) **PAIR OF HOUSINGS FOR BONE VIBRATING AUDIO TRANSDUCERS FOR A COMMUNICATIONS HEADSET**

4,420,657 \* 12/1983 Larkin ..... 181/129  
5,546,069 \* 8/1996 Holden et al. .... 381/150 X

\* cited by examiner

(75) **Inventor:** **James M. Gerdom**, Shawnee, KS (US)

*Primary Examiner*—Nanda Bondade

(73) **Assignee:** **Atlantic Signal Corporation**, Overland Park, KS (US)

(74) *Attorney, Agent, or Firm*—Shughart Thomson & Kilroy P.C.

(\*\*) **Term:** **14 Years**

(57) **CLAIM**

(21) **Appl. No.:** **29/118,637**

The ornamental design for pair of housings for bone vibrating audio transducers for a communications headset, as shown and described.

(22) **Filed:** **Feb. 11, 2000**

**DESCRIPTION**

**Related U.S. Application Data**

(62) Division of application No. 29/092,211, filed on Aug. 14, 1998, now Pat. No. Des. 424,568.

FIG. 1 is a perspective view of pair of housings for bone vibrating audio transducers for a communications headset showing my new design, the broken line showing of the headbands, microphone and cord is for illustrative purposes only and forms no part of the claimed design.

(51) **LOC (7) Cl.** ..... **14-01**

(52) **U.S. Cl.** ..... **D14/223; D14/222**

FIG. 2 is an enlarged left side elevational view of the left side housing thereof, shown separately for clarity of illustration;

(58) **Field of Search** ..... D14/192, 205–206, D14/222–224; 181/129, 132; 381/150, 151, 337, 377

FIG. 3 is a right side elevational view thereof;

(56) **References Cited**

**U.S. PATENT DOCUMENTS**

- D. 306,725 \* 3/1990 Tanaka ..... D14/206 X
- D. 343,621 \* 1/1994 Fine, Sr. et al. .... D14/223 X
- D. 352,036 \* 11/1994 Sekita ..... D14/205 X
- D. 364,617 \* 11/1995 Fitzgerald ..... D14/206 X
- 665,470 \* 1/1901 Rutherford ..... 381/377

FIG. 4 is a front elevational view thereof;

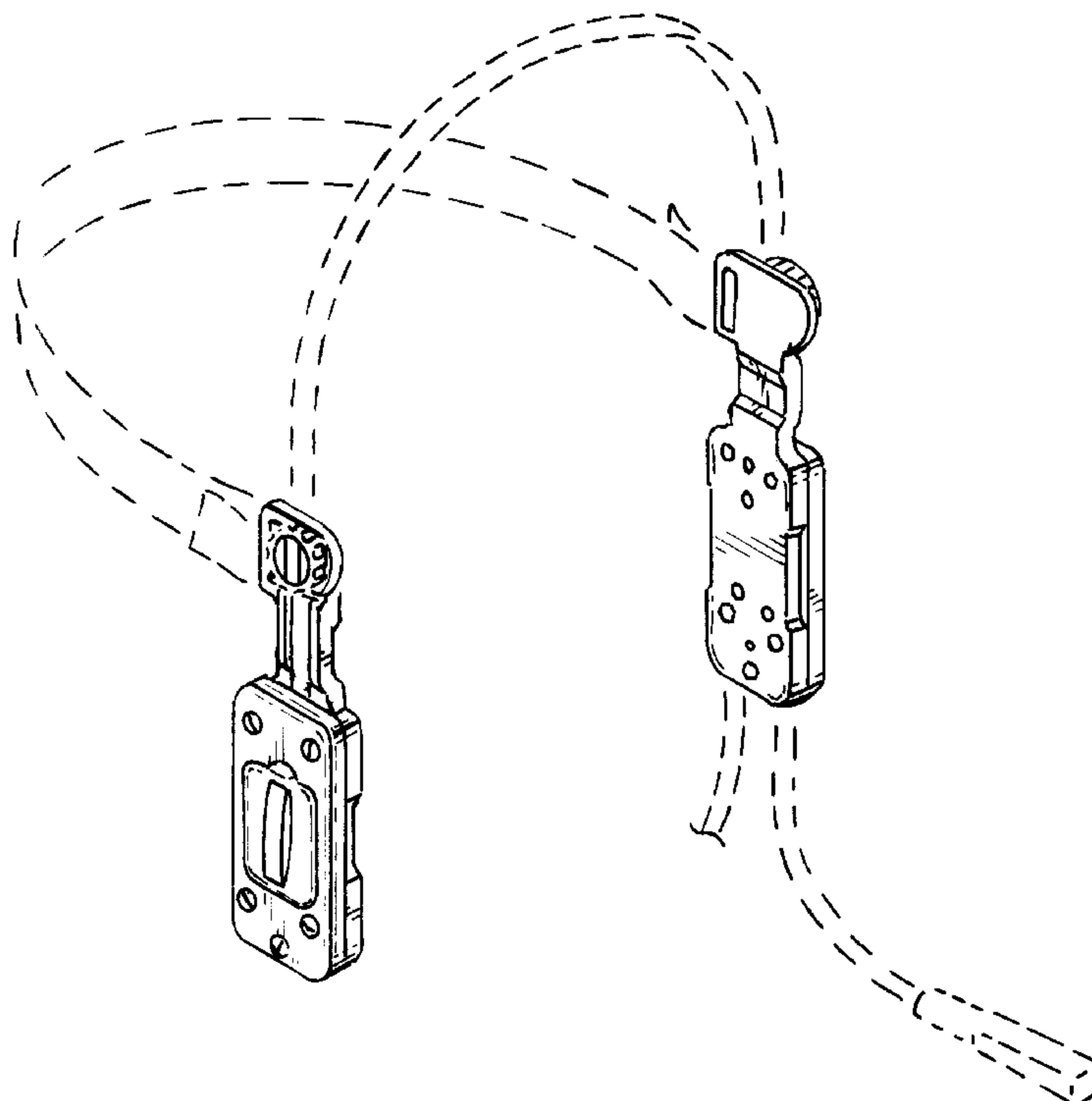
FIG. 5 is a rear elevational view thereof;

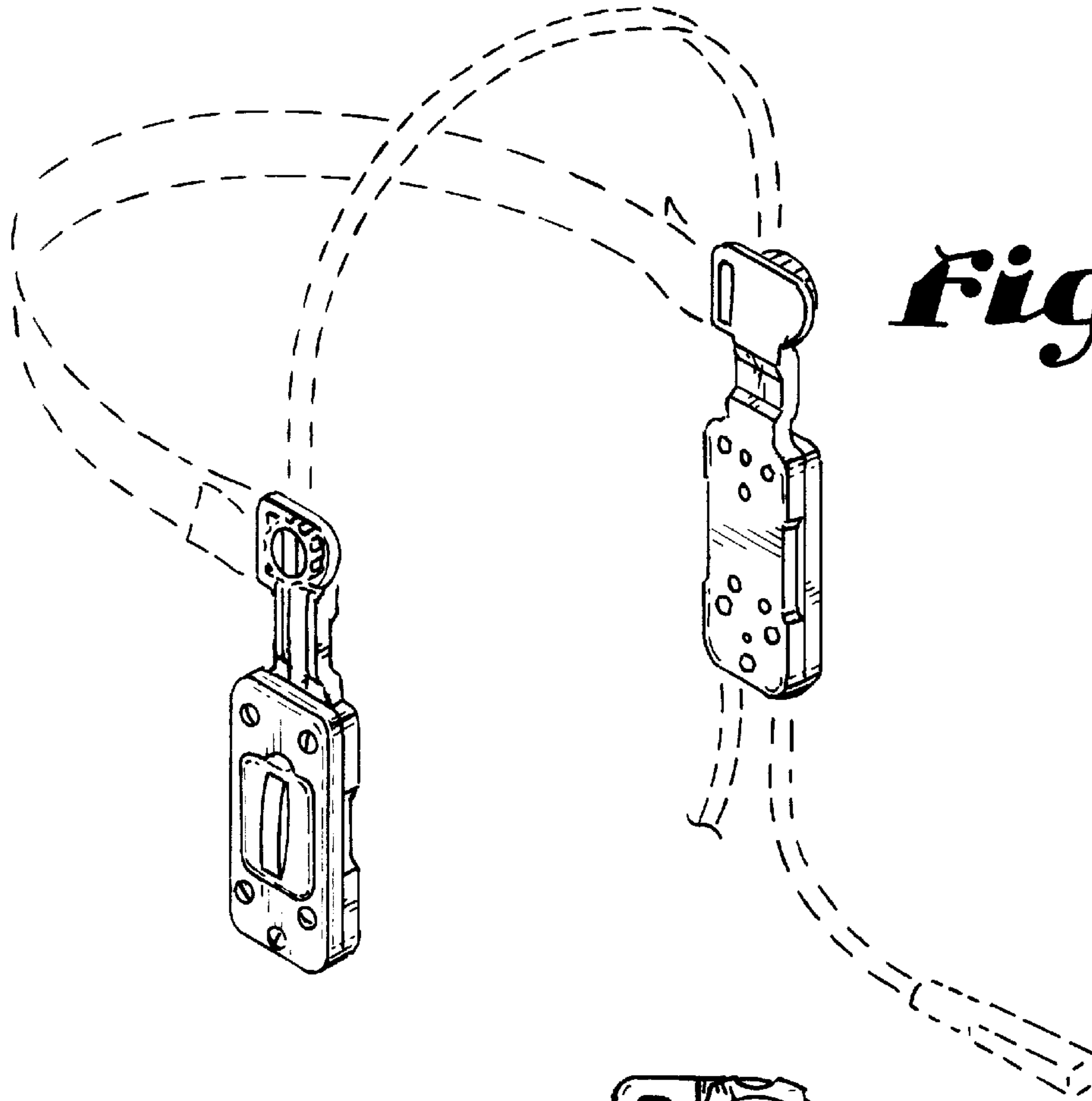
FIG. 6 is a top plan view thereof; and,

FIG. 7 is a bottom plan view thereof.

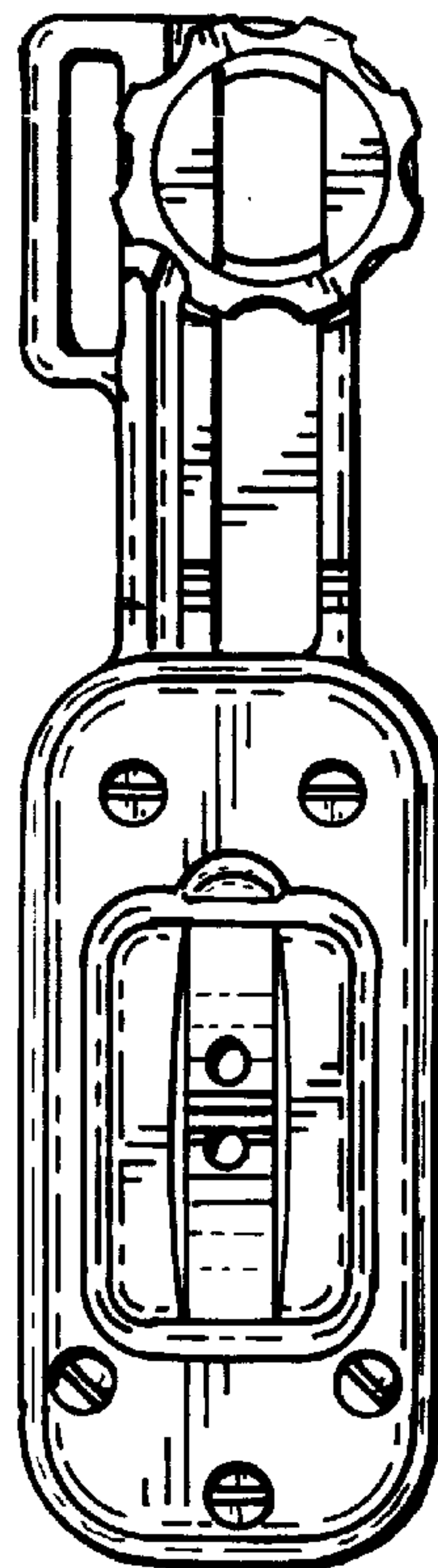
The undisclosed views of the right side housing are mirror images of the left side views.

**1 Claim, 2 Drawing Sheets**





*Fig. 1.*

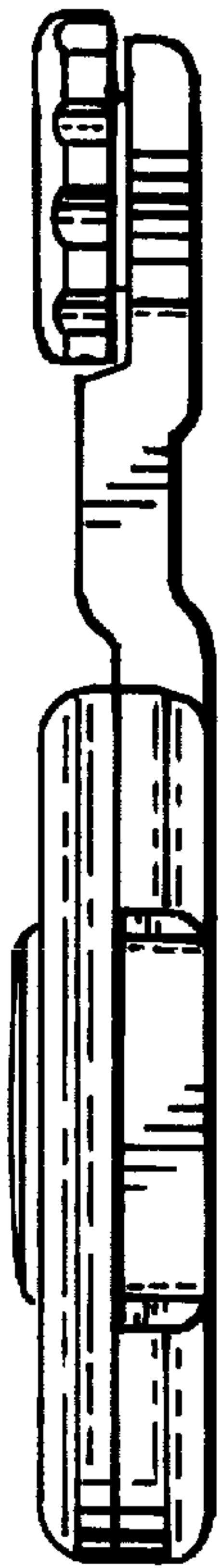


*Fig. 2*

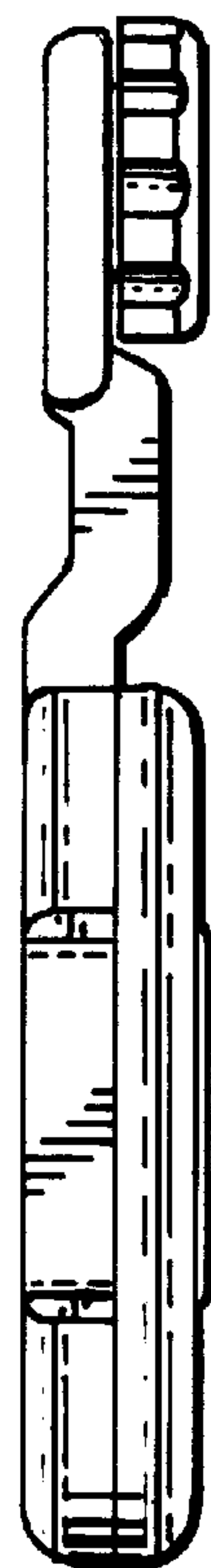


*Fig. 6.*

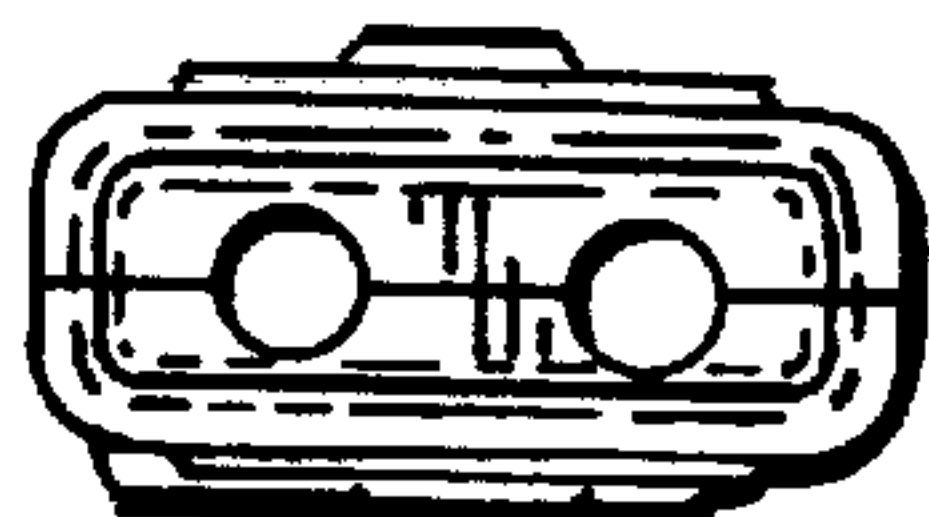
*Fig. 3.*



*Fig. 4.*



*Fig. 5.*



*Fig. 7.*