



US00D444141S

(12) **United States Design Patent**
Koss et al.

(10) **Patent No.: US D444,141 S**

(45) **Date of Patent: ** Jun. 26, 2001**

(54) **STEREOPHONE EAR PLUG HOUSING**

(75) Inventors: **Michael J. Koss**, River Hills; **Allan G. Mlodzikowski**, Muskego, both of WI (US); **Jennifer R. Schneider**, Commerce, MI (US)

(73) Assignee: **Koss Corporation**, Milwaukee, WI (US)

(**) Term: **14 Years**

(21) Appl. No.: **29/114,076**

(22) Filed: **Nov. 17, 1999**

Related U.S. Application Data

(62) Division of application No. 09/257,664, filed on Feb. 25, 1999.

(51) **LOC (7) Cl.** **14-01**

(52) **U.S. Cl.** **D14/223**

(58) **Field of Search** D14/147, 192, D14/205, 206, 223, 224, 249; D24/106, 134, 174; 181/129-131; 128/864, 865

(56) **References Cited**

U.S. PATENT DOCUMENTS

D. 375,551	*	11/1996	Esler et al.	D24/106
3,123,069	*	3/1964	Laisne et al.	128/864
3,247,324	*	4/1966	Cefaly et al.	181/131
3,324,253		6/1967	Uemura et al.	179/115
3,671,685		6/1972	McCabe	179/156
3,811,437		5/1974	Gardner, Jr.	128/152
4,133,984		1/1979	Akiyama	179/197 E
4,403,120		9/1983	Yoshimi	179/182 R
4,429,194		1/1984	Kamon et al.	179/182 R
4,668,842		5/1987	Yokoyama et al.	381/183

4,736,435		4/1988	Yokoyama et al.	381/187
4,965,838	*	10/1990	Kamon et al.	181/129
5,188,123	*	2/1993	Gardner, Jr.	128/864
5,222,151		6/1993	Nagayoshi et al.	381/187
5,659,156		8/1997	Mauney et al.	181/130
5,799,658	*	9/1998	Falco	128/846
5,957,136	*	9/1999	Magidson et al.	128/864

FOREIGN PATENT DOCUMENTS

32 10034 A1		3/1982	(DE) .	
58-97398		6/1983	(JP)	H04R/1/10
52-110428		2/1986	(JP) .	
171945		2/1990	(MX) .	

* cited by examiner

Primary Examiner—Nanda Bondade

(74) *Attorney, Agent, or Firm*—Whyte Hirschboeck Dudek SC

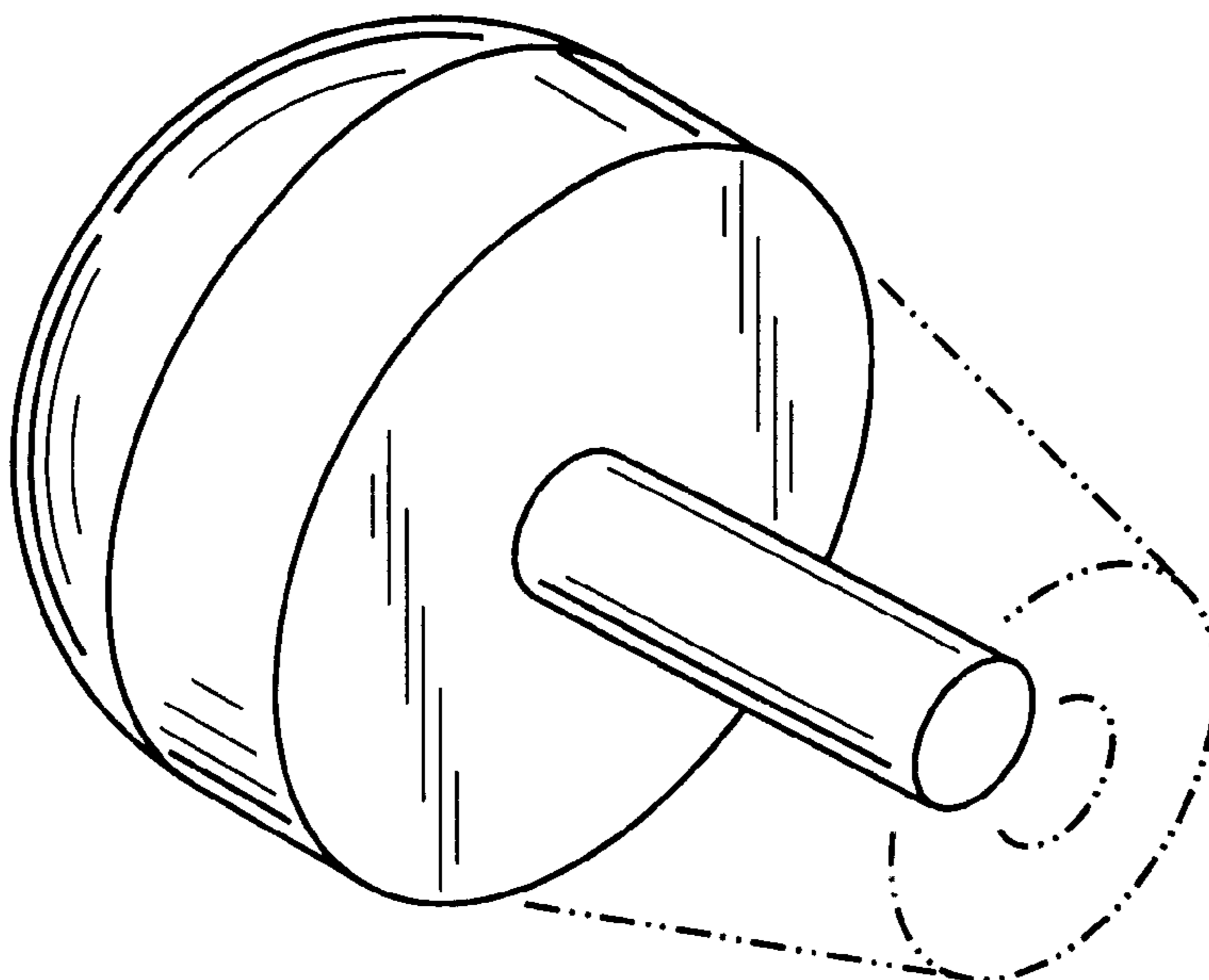
(57) **CLAIM**

The ornamental design for a stereophone ear plug housing, as shown and described.

DESCRIPTION

FIG. 1 is a front perspective view of a stereophone ear plug housing showing our new design;
FIG. 2 is a side elevational view thereof, with the opposite side being a mirror image;
FIG. 3 is a top plan view thereof;
FIG. 4 is a bottom view thereof;
FIG. 5 is a front view thereof; and,
FIG. 6 is a rear view thereof.
The broken lines shown in all figures are for illustrative environmental purposes only and form no part of the claimed design.

1 Claim, 2 Drawing Sheets



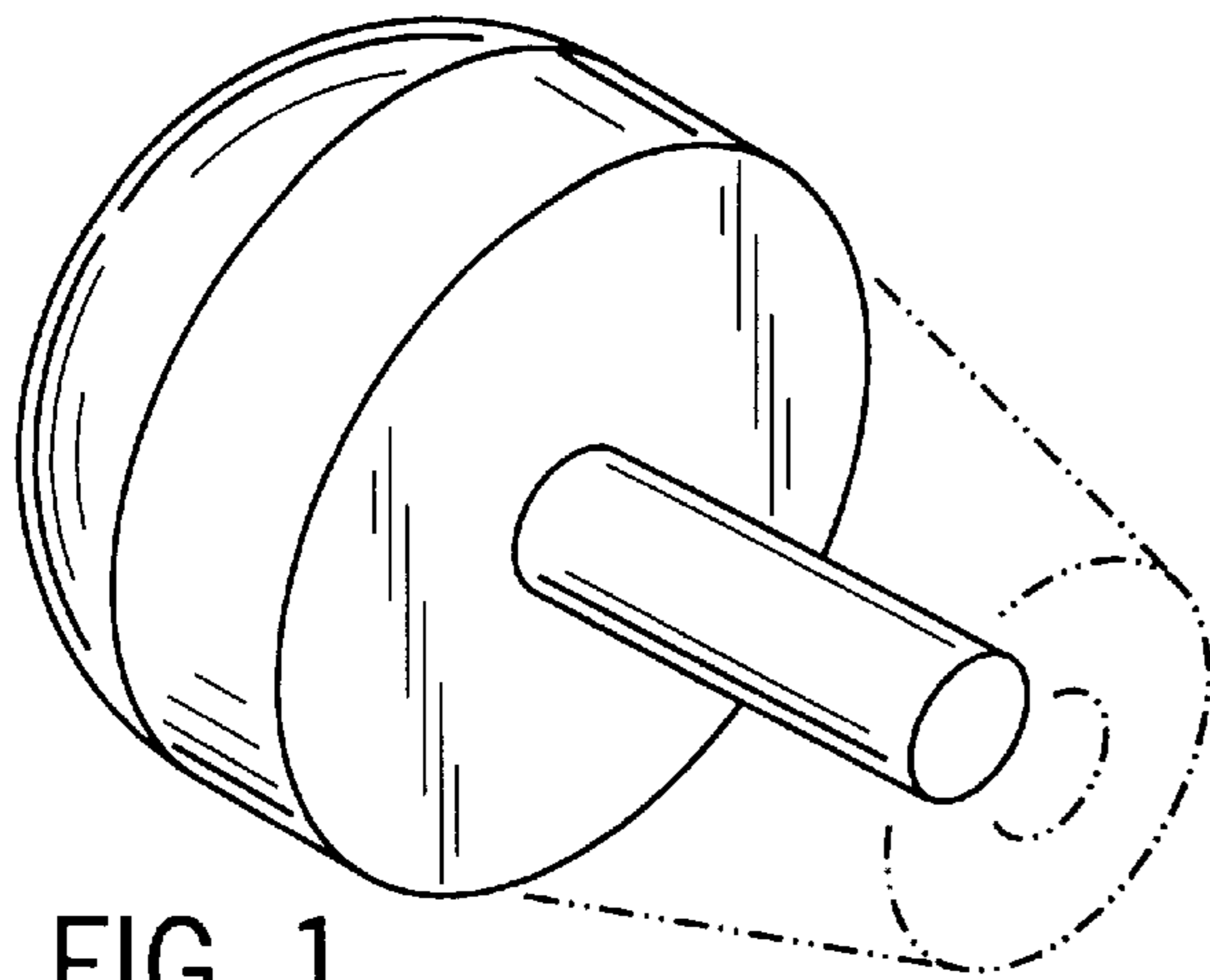


FIG. 1

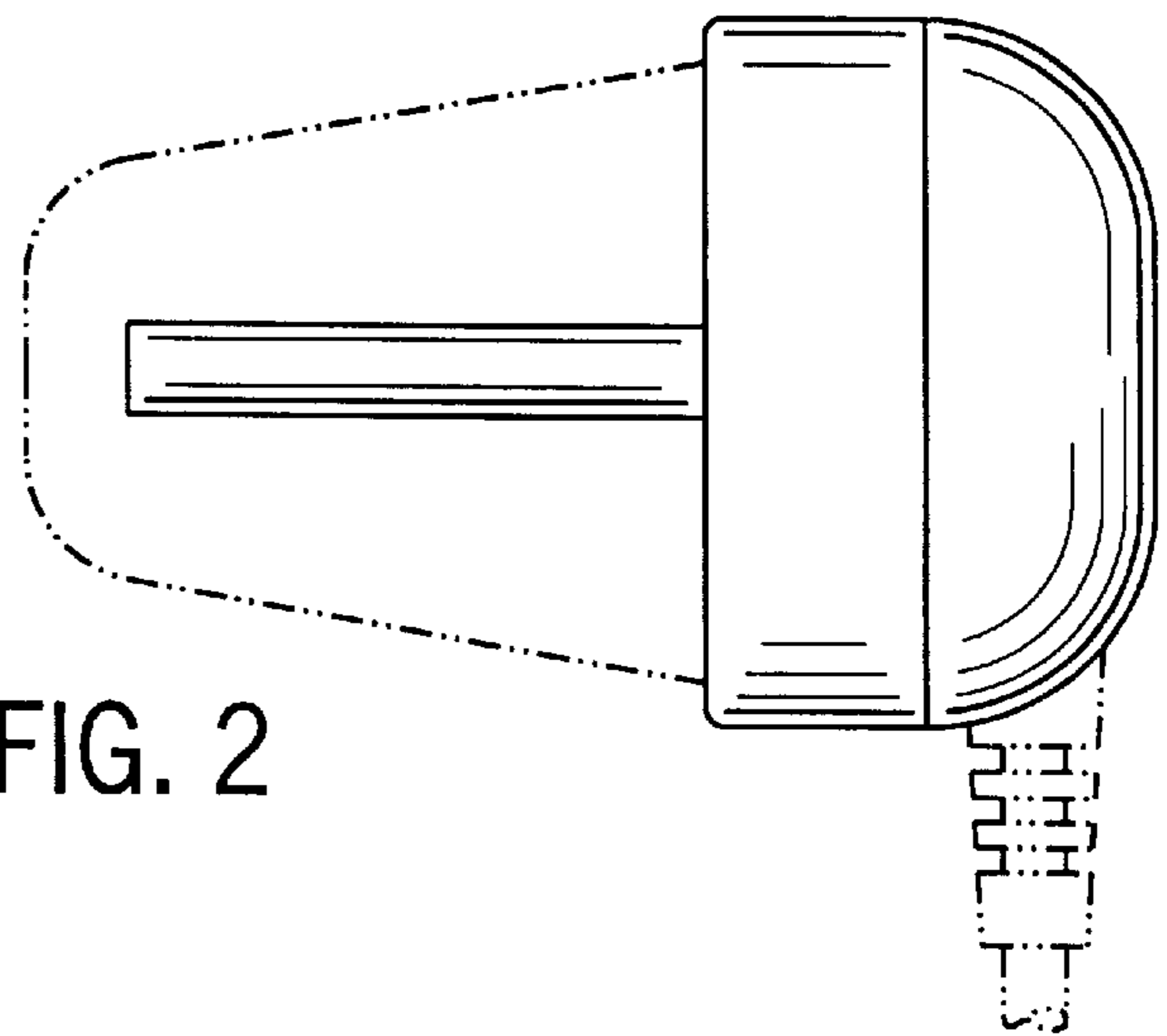


FIG. 2

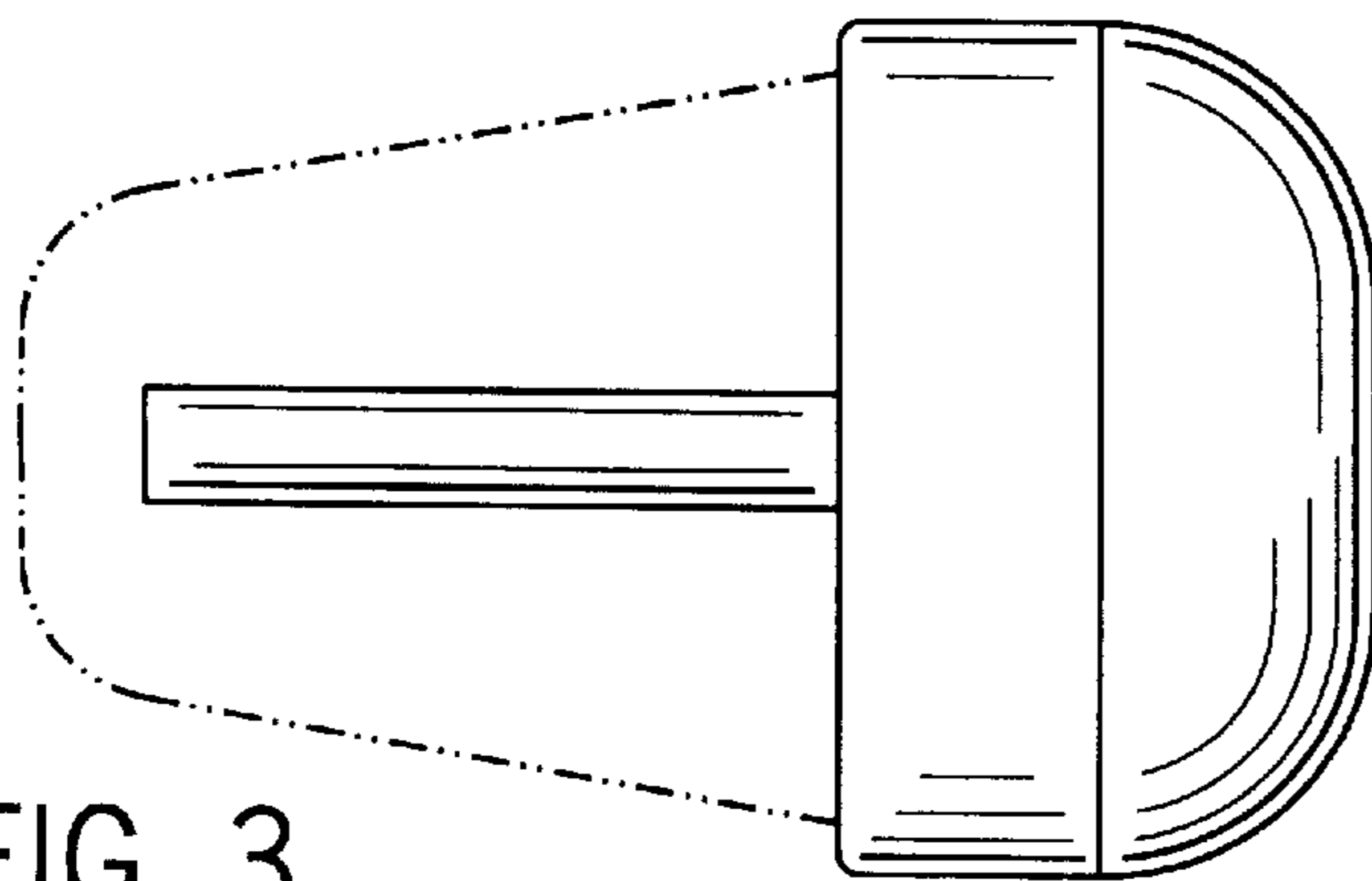


FIG. 3

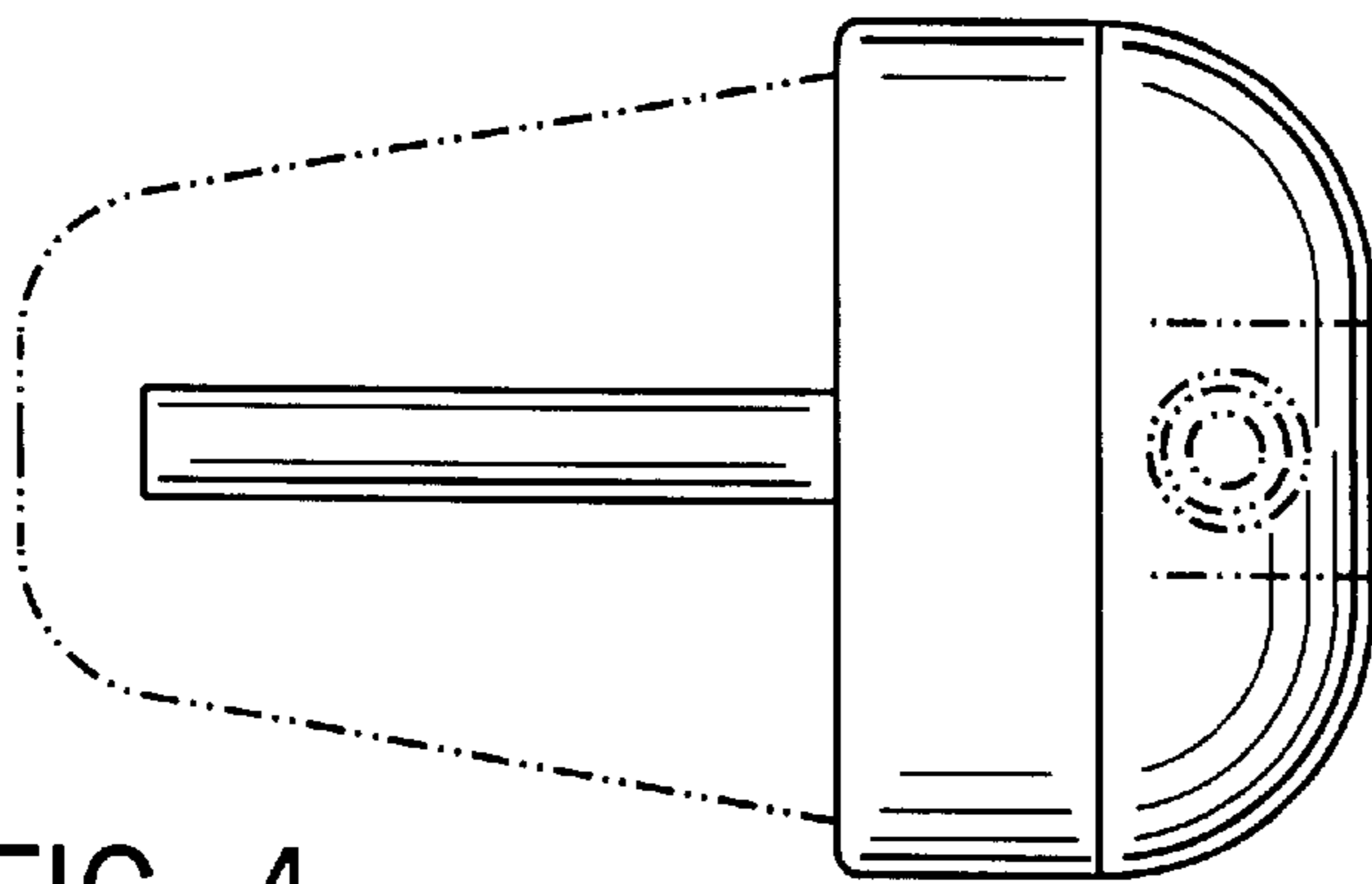


FIG. 4

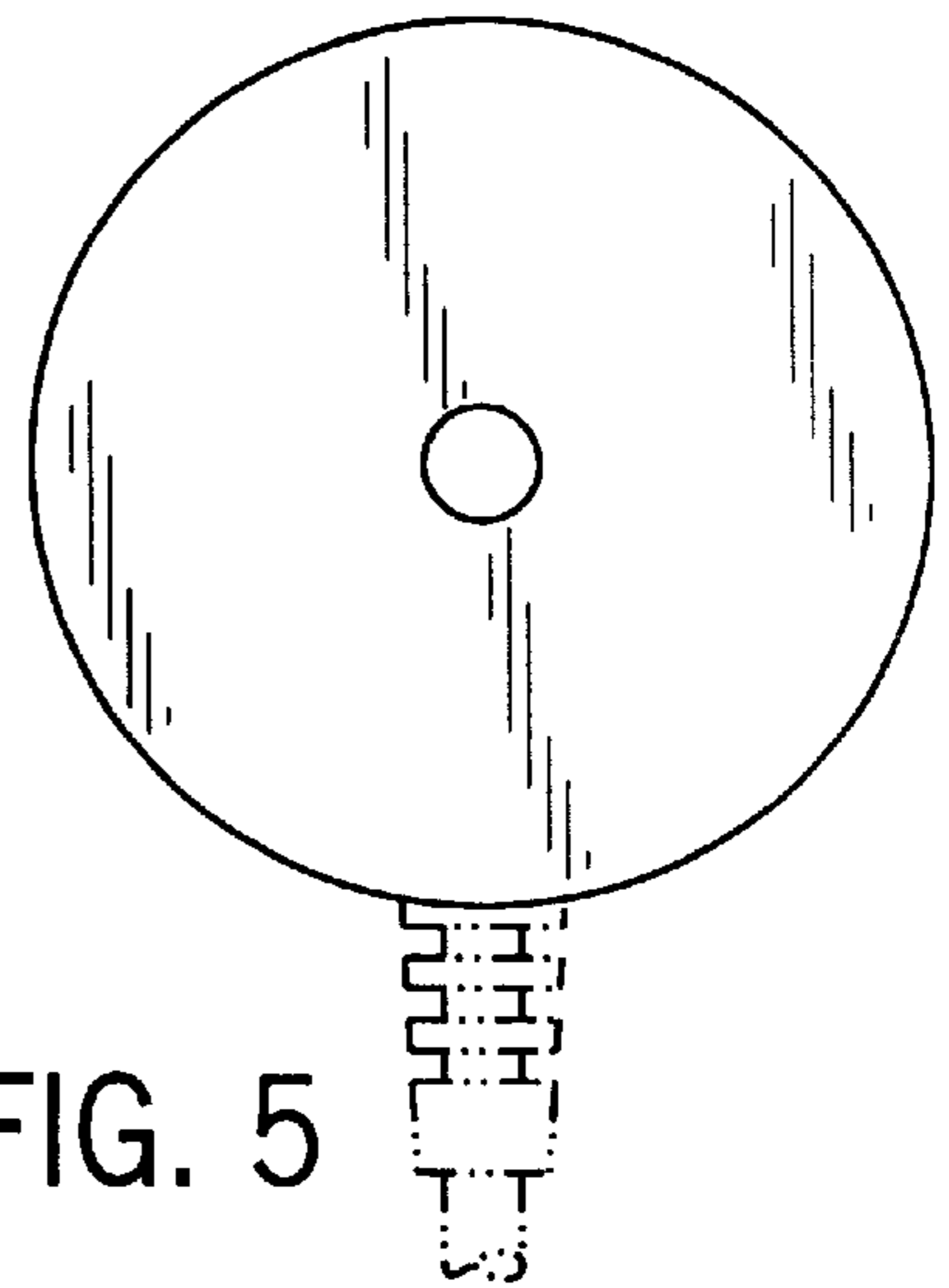


FIG. 5

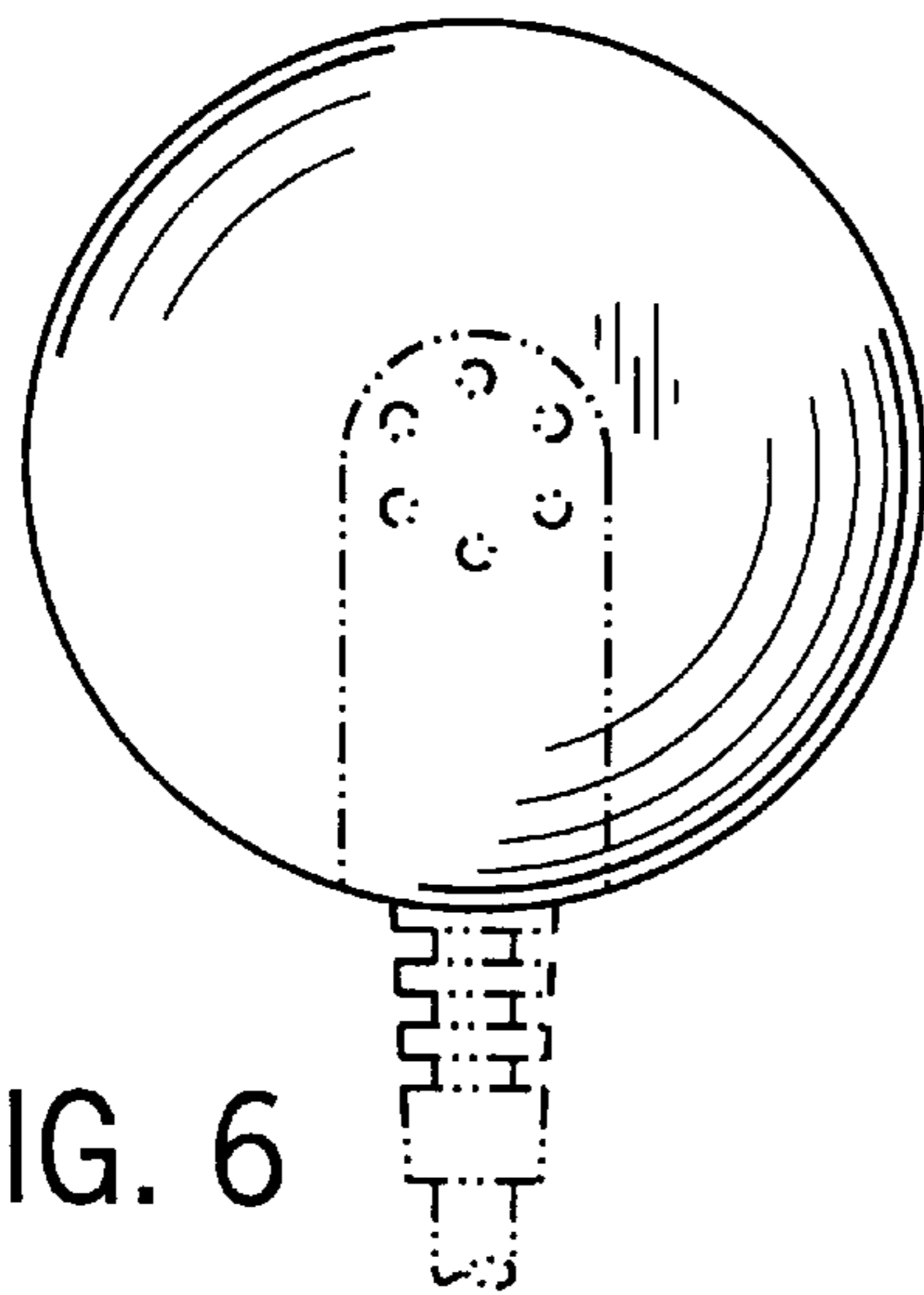


FIG. 6