



US00D444136S

(12) **United States Design Patent**  
**Sogabe**

(10) **Patent No.:** **US D444,136 S**

(45) **Date of Patent:** **\*\* Jun. 26, 2001**

(54) **DISC PLAYER**

5,848,042 \* 12/1998 Takahashi et al. .... 369/77.1  
6,028,737 \* 2/2000 Khuu ..... 369/77.2 X

(75) Inventor: **Takashi Sogabe, Tokyo (JP)**

**OTHER PUBLICATIONS**

(73) Assignee: **Sony Corporation, Tokyo (JP)**

Catalog "SONY", p. 10, Sony, Feb. 2000.

(\*\*) Term: **14 Years**

\* cited by examiner

(21) Appl. No.: **29/126,195**

*Primary Examiner*—Nanda Bondade

(22) Filed: **Jul. 7, 2000**

(74) *Attorney, Agent, or Firm*—Rader, Fishman & Grauer

(51) **LOC (7) Cl.** ..... **14-01**

(57) **CLAIM**

(52) **U.S. Cl.** ..... **D14/156**

The ornamental design for a disc player, as shown and described.

(58) **Field of Search** ..... D14/124, 135,  
D14/136, 156, 157, 167, 168, 188, 197-198,  
257, 258, 299; 369/75.1, 75.2, 77.1, 77.2;  
455/73, 89-90, 128, 345-347

**DESCRIPTION**

(56) **References Cited**

FIG. 1 is a perspective view of a disc player showing my design;

FIG. 2 is a front elevational view thereof;

FIG. 3 is a right side elevational view thereof

FIG. 4 is a bottom plan view thereof; and,

FIG. 5 is top plan view thereof.

The broken line showing of the body of the disc player on FIGS. 1-5 is for illustrative purposes only and forms no part of the claimed design.

**U.S. PATENT DOCUMENTS**

- D. 315,560 \* 3/1991 Yun ..... D14/157
- D. 391,958 \* 3/1998 Miyazawa et al. .... D14/156 X
- D. 406,588 3/1999 Sogabe ..... D14/156
- D. 410,650 \* 6/1999 Hara ..... D14/156 X
- D. 415,491 \* 10/1999 Yano et al. .... D14/156 X
- D. 423,500 4/2000 Miyazaki ..... D14/168
- D. 425,890 5/2000 Kataoka ..... D14/163

**1 Claim, 3 Drawing Sheets**

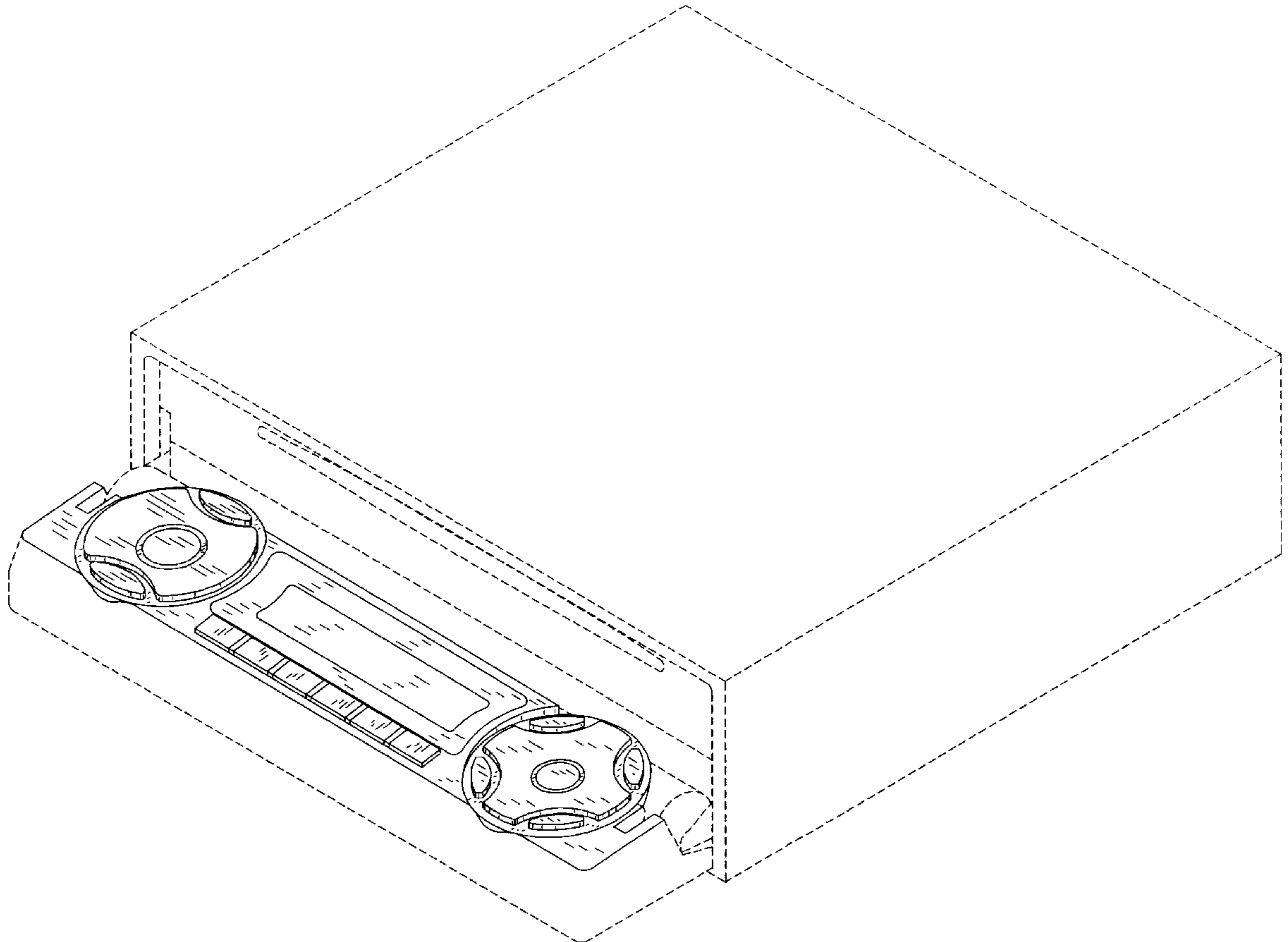


FIG. 1

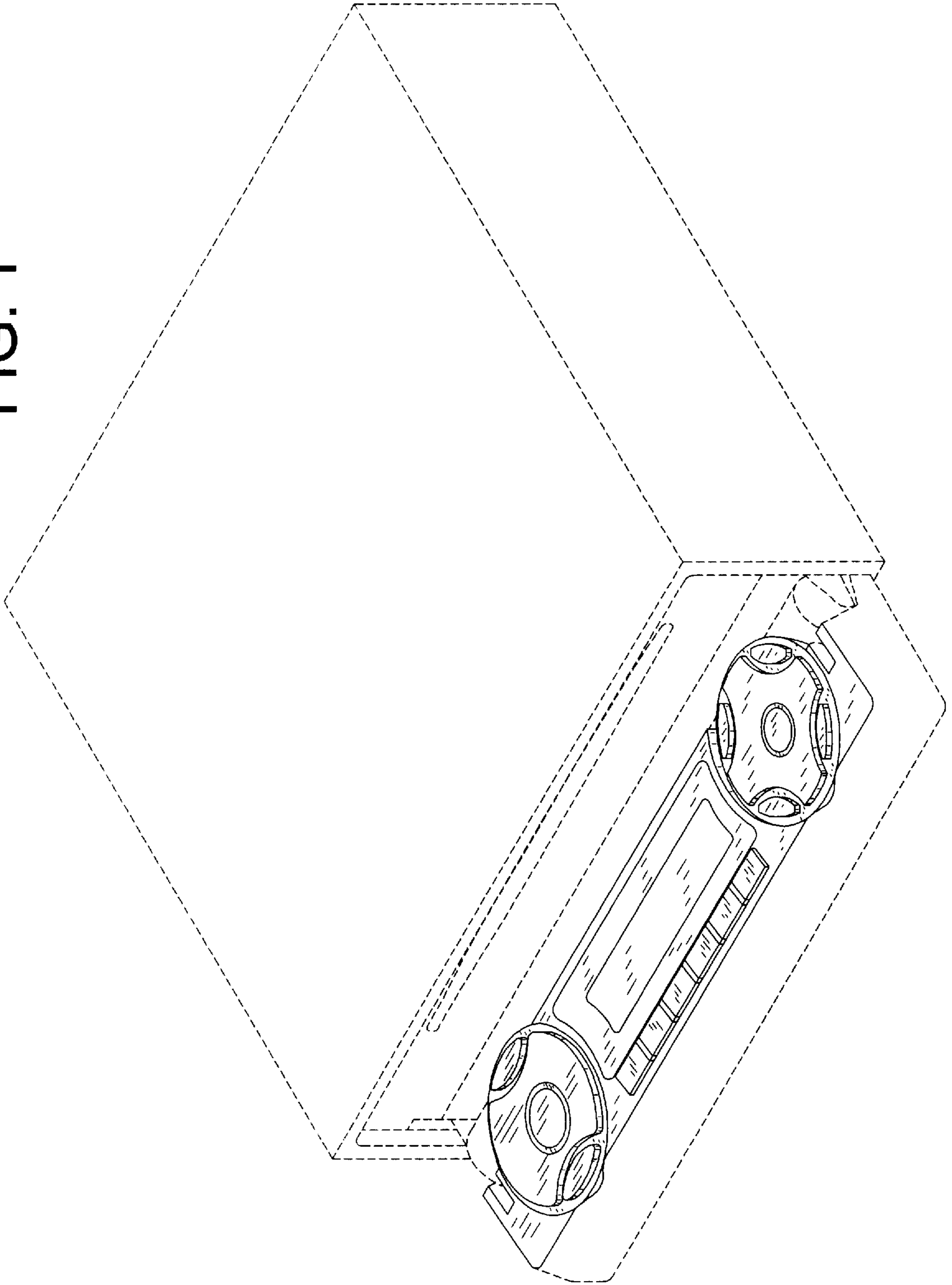


FIG. 2

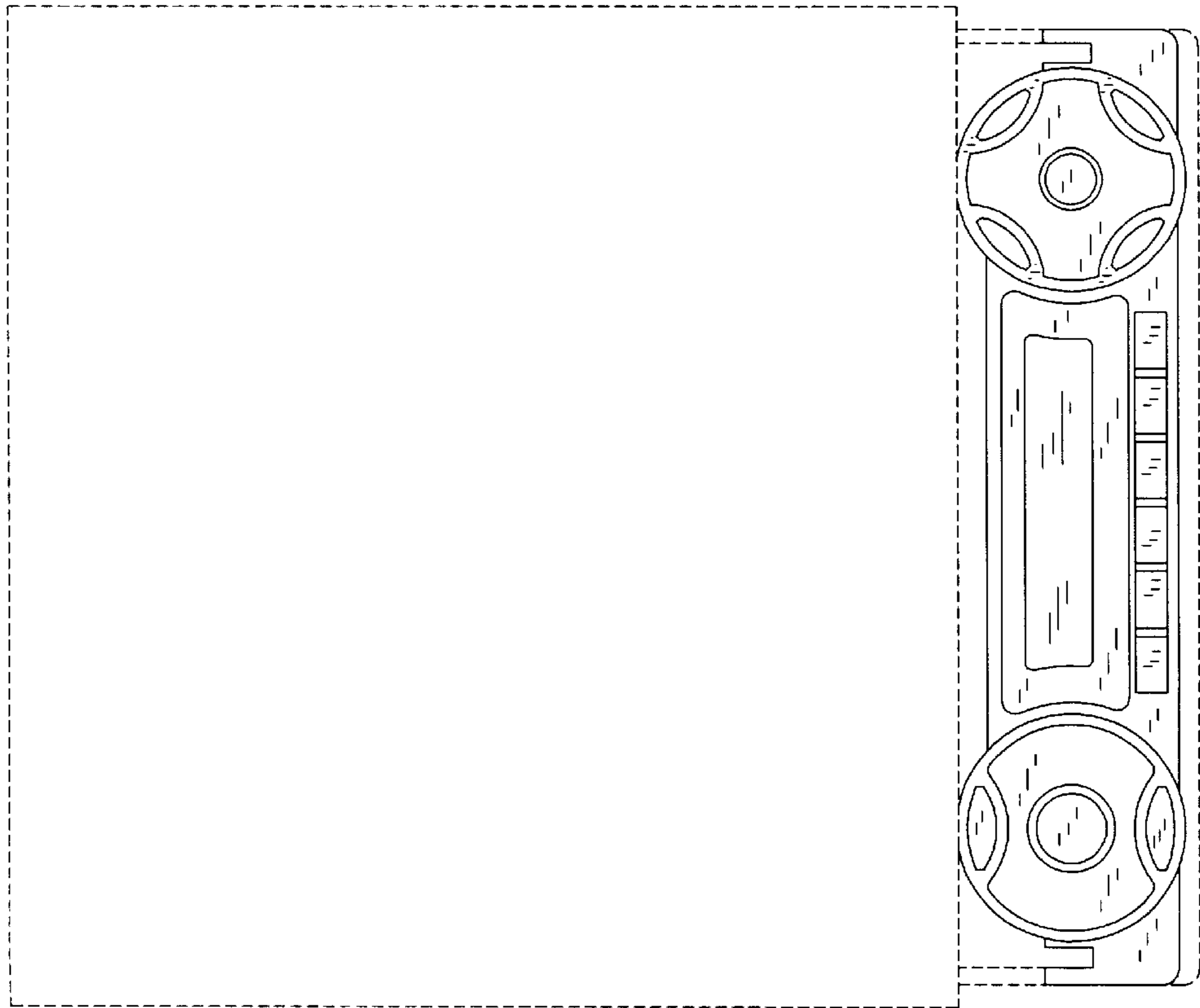


FIG. 3

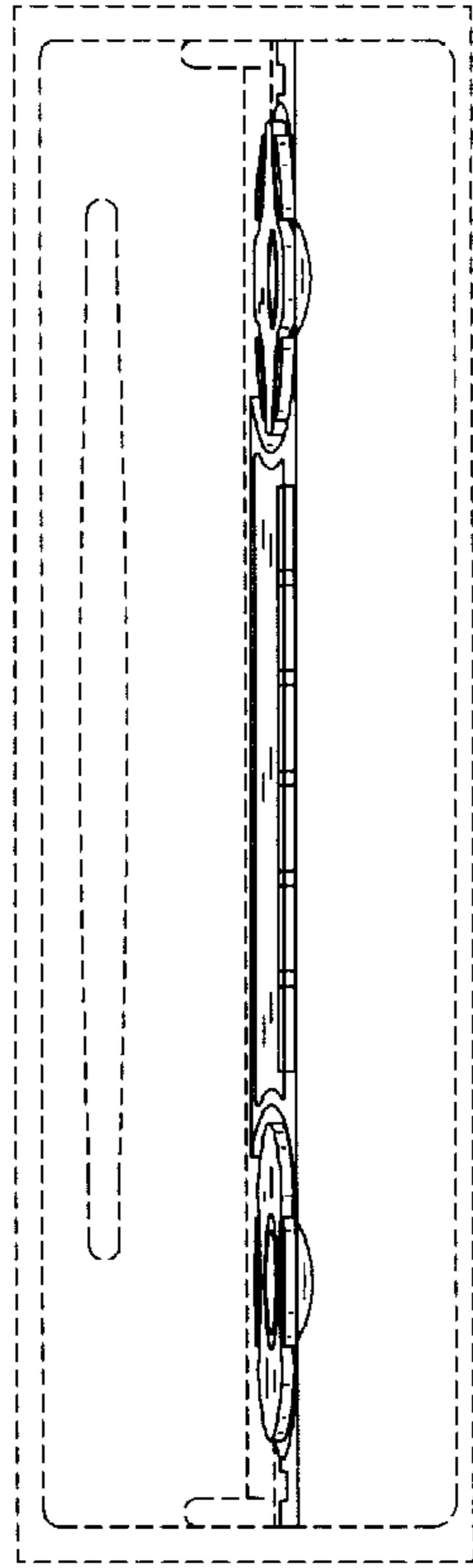


FIG. 5



FIG. 4

