



US00D444132S

(12) **United States Design Patent**
Iwanishi et al.

(10) **Patent No.:** **US D444,132 S**

(45) **Date of Patent:** **** Jun. 26, 2001**

(54) **SEMICONDUCTOR ELEMENT**

(75) Inventors: **Masaaki Iwanishi**, Himeji; **Toshihisa Inoue**; **Kazuhiko Kurahashi**, both of Yokohama; **Kenji Suzuki**, Tokyo; **Shinjiro Yano**, Matsutou, all of (JP)

(73) Assignee: **Kabushiki Kaisha Toshiba**, Kawasaki (JP)

(**) Term: **14 Years**

(21) Appl. No.: **29/128,169**

(22) Filed: **Aug. 23, 2000**

(51) **LOC (7) Cl.** **13-03**

(52) **U.S. Cl.** **D13/182**

(58) **Field of Search** D13/182; 174/524, 174/525; 257/690; 361/752, 798, 820

(56) **References Cited**

U.S. PATENT DOCUMENTS

- D. 345,731 * 4/1994 Owens et al. D13/182
- D. 359,028 * 6/1995 Siegel et al. D13/182
- D. 396,847 8/1998 Nakayama et al. .
- D. 427,977 * 7/2000 Takizawa et al. D13/182
- D. 432,097 * 10/2000 Song et al. D13/182

FOREIGN PATENT DOCUMENTS

1004664 3/1998 (JP) .

OTHER PUBLICATIONS

Extract of Denpa Shimbun (Newspaper), Oct. 2, 1999.

* cited by examiner

Primary Examiner—Brian N. Vinson

(74) *Attorney, Agent, or Firm*—Oblon, Spivak, McClelland, Maier & Neustadt, P.C.

(57) **CLAIM**

The ornamental design for a semiconductor element, as shown and described.

DESCRIPTION

FIG. 1 is a front, bottom and right side perspective view of a semiconductor element showing our new design;

FIG. 2 is a front elevational view thereof;

FIG. 3 is a right side elevational view thereof; a left side view being a mirror image thereof;

FIG. 4 is a top plan view thereof;

FIG. 5 is a rear elevational view thereof;

FIG. 6 is a bottom plan view thereof;

FIG. 7 is a front, bottom and right side perspective view of a second embodiment of the semiconductor element;

FIG. 8 is a front elevational view thereof;

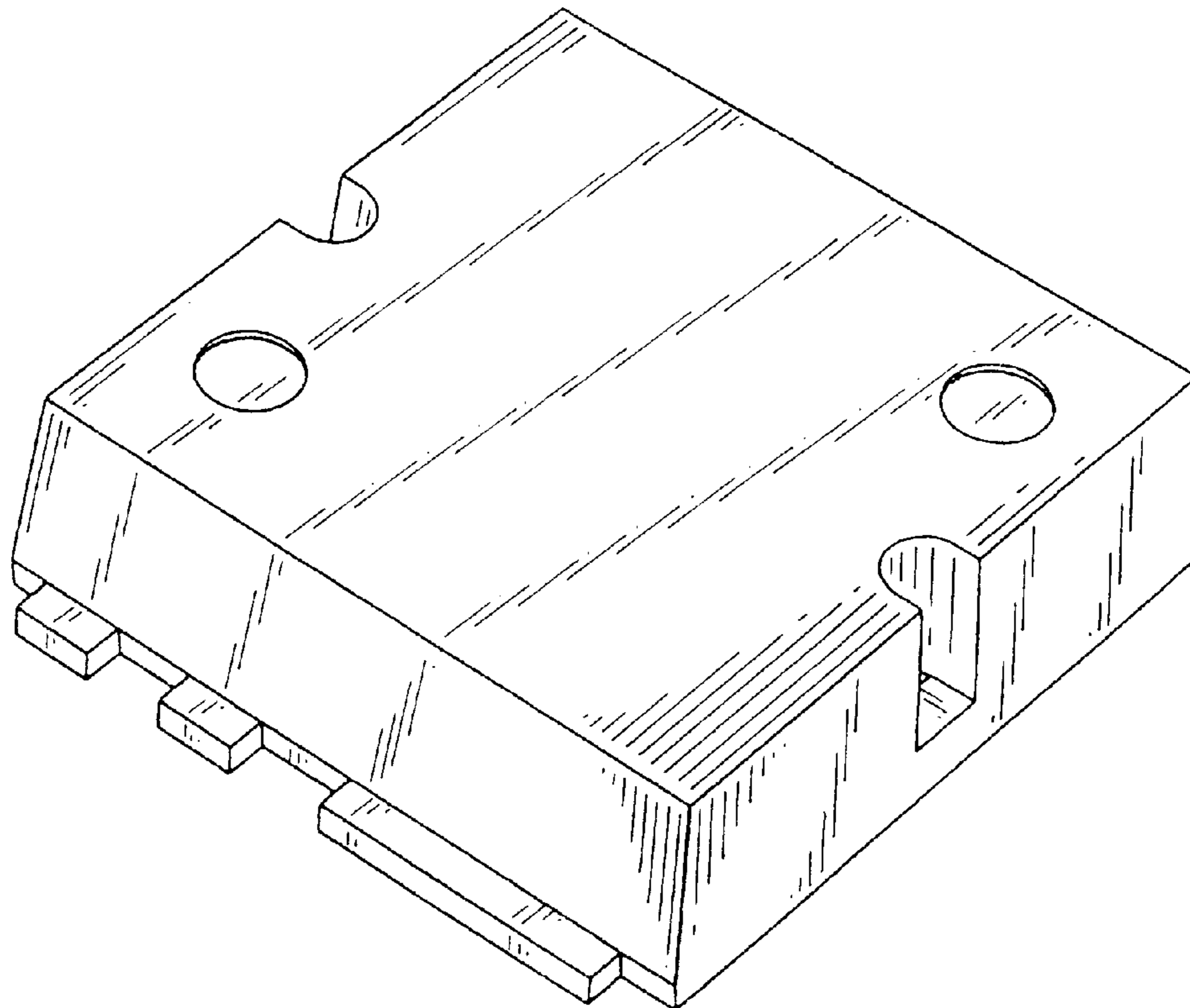
FIG. 9 is a right side elevational view thereof; a left side elevational view being a mirror image thereof;

FIG. 10 is a top plan view thereof;

FIG. 11 is a rear elevational view thereof; and,

FIG. 12 is a bottom plan view thereof.

1 Claim, 4 Drawing Sheets



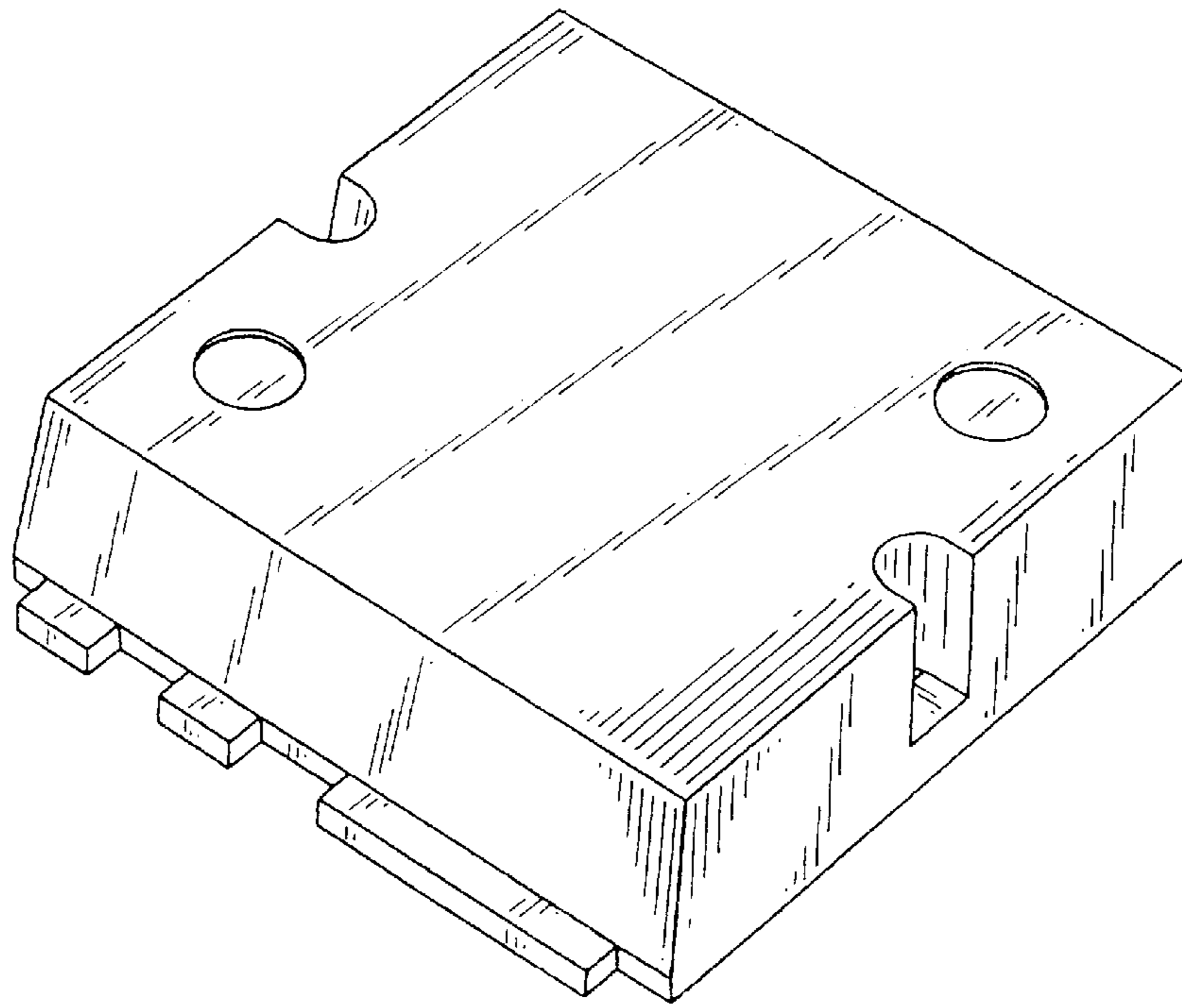


Fig. 1

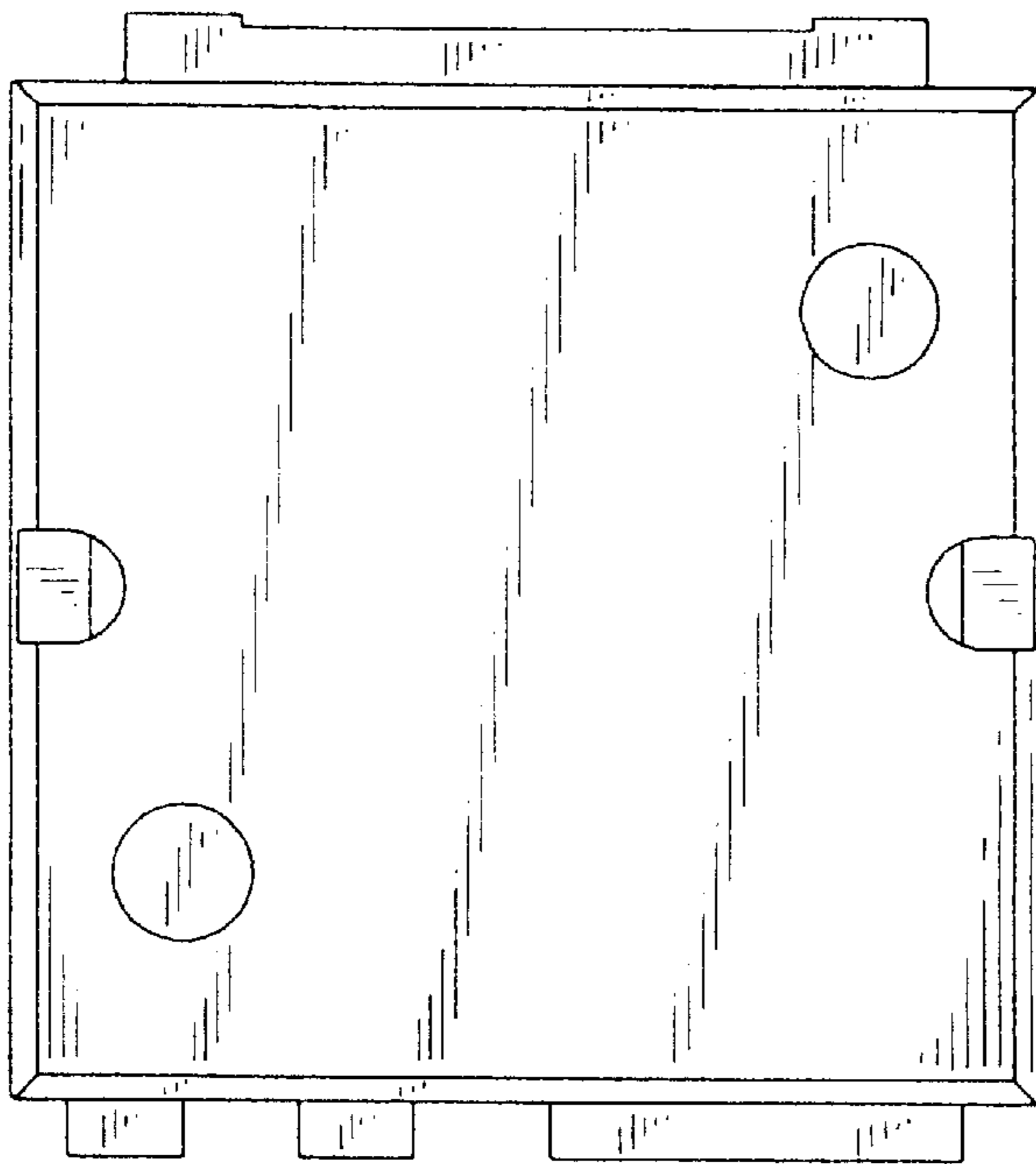


Fig. 2

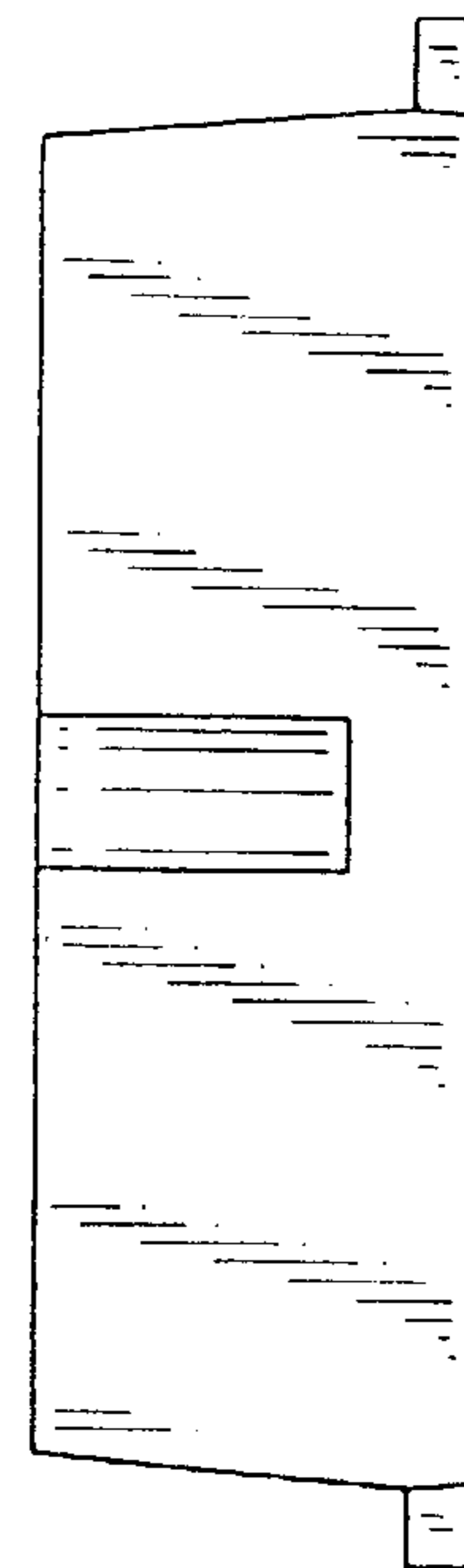


Fig. 3

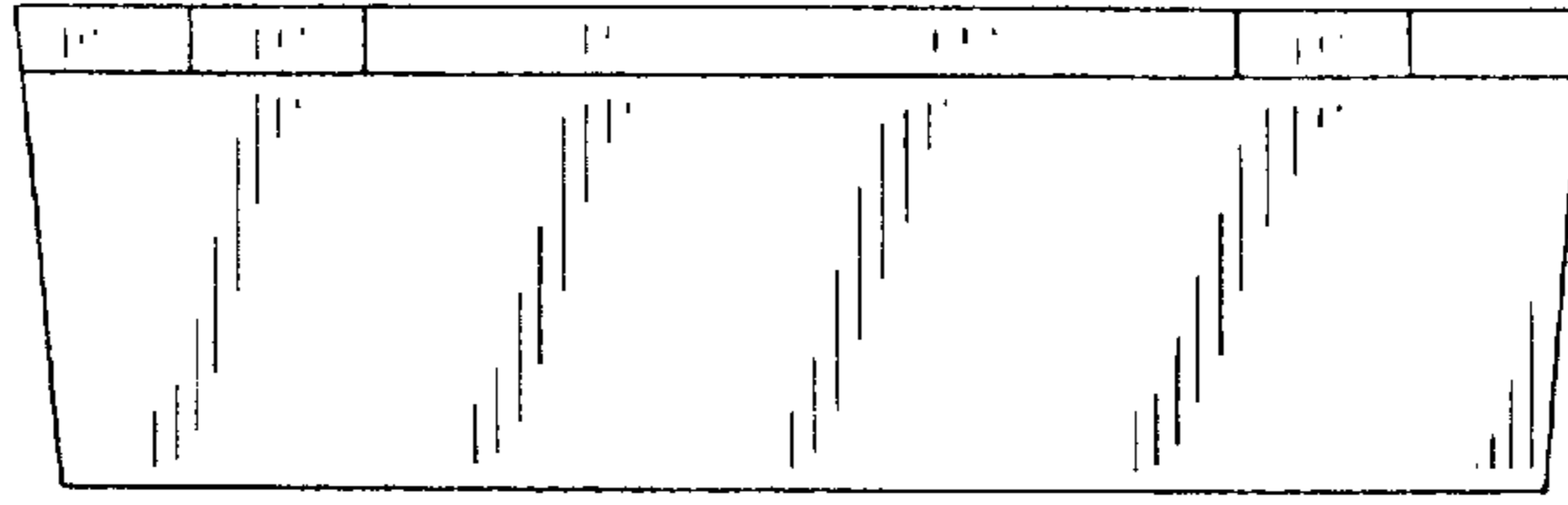


Fig. 4

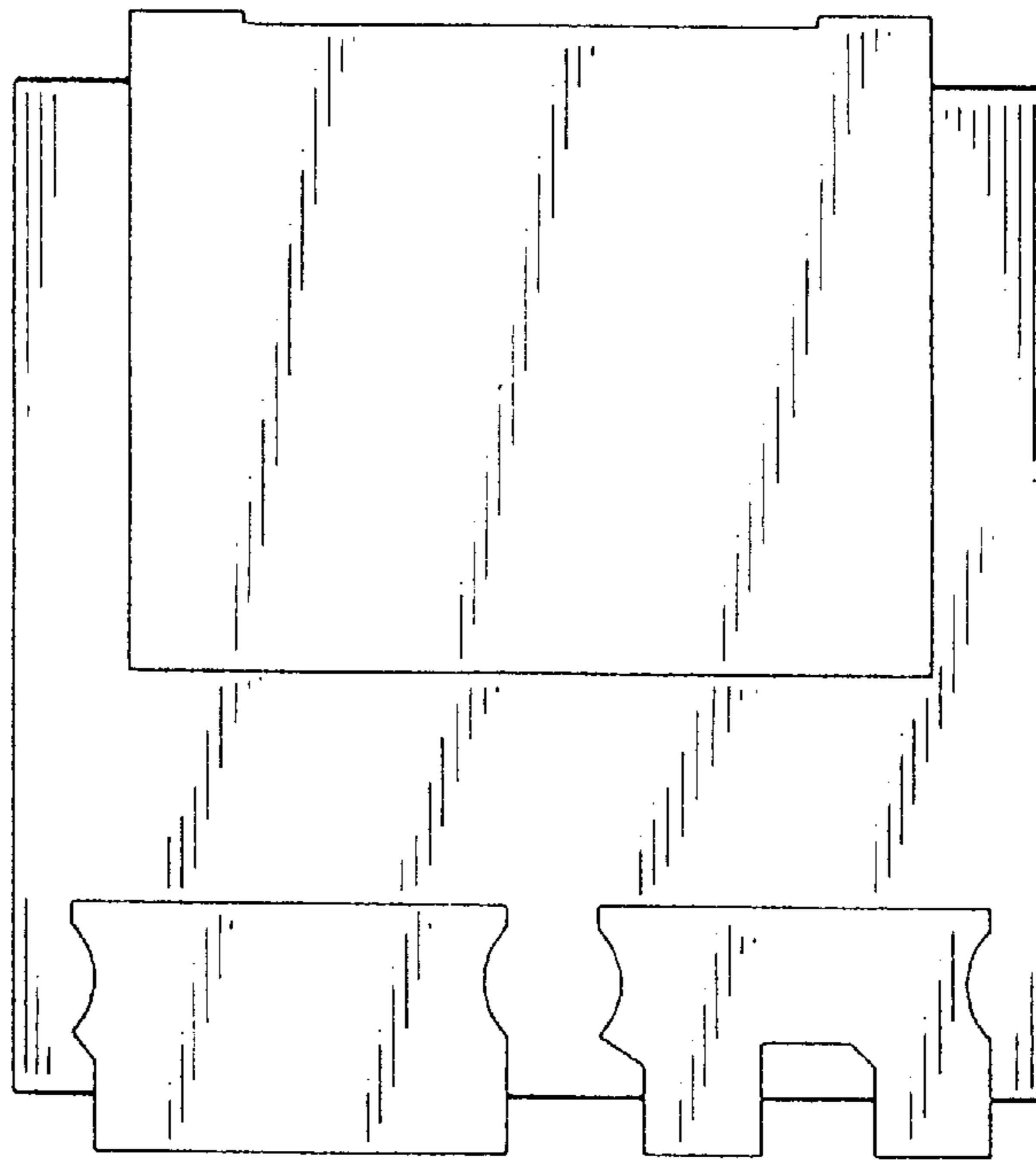


Fig. 5

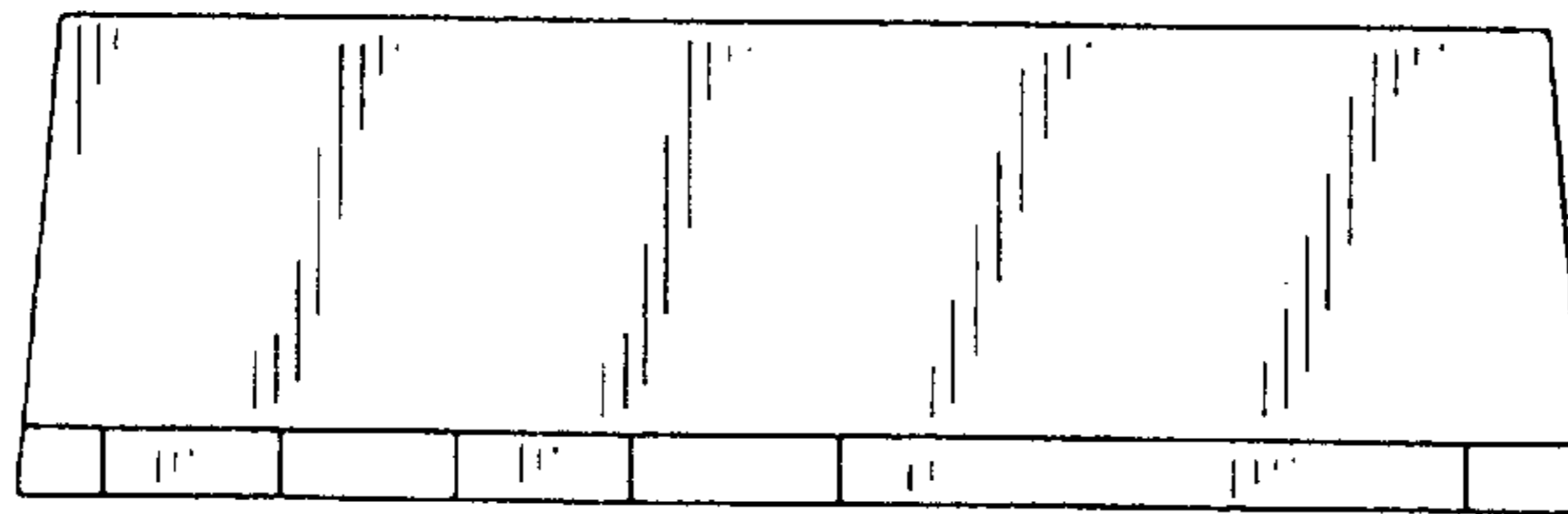


Fig. 6

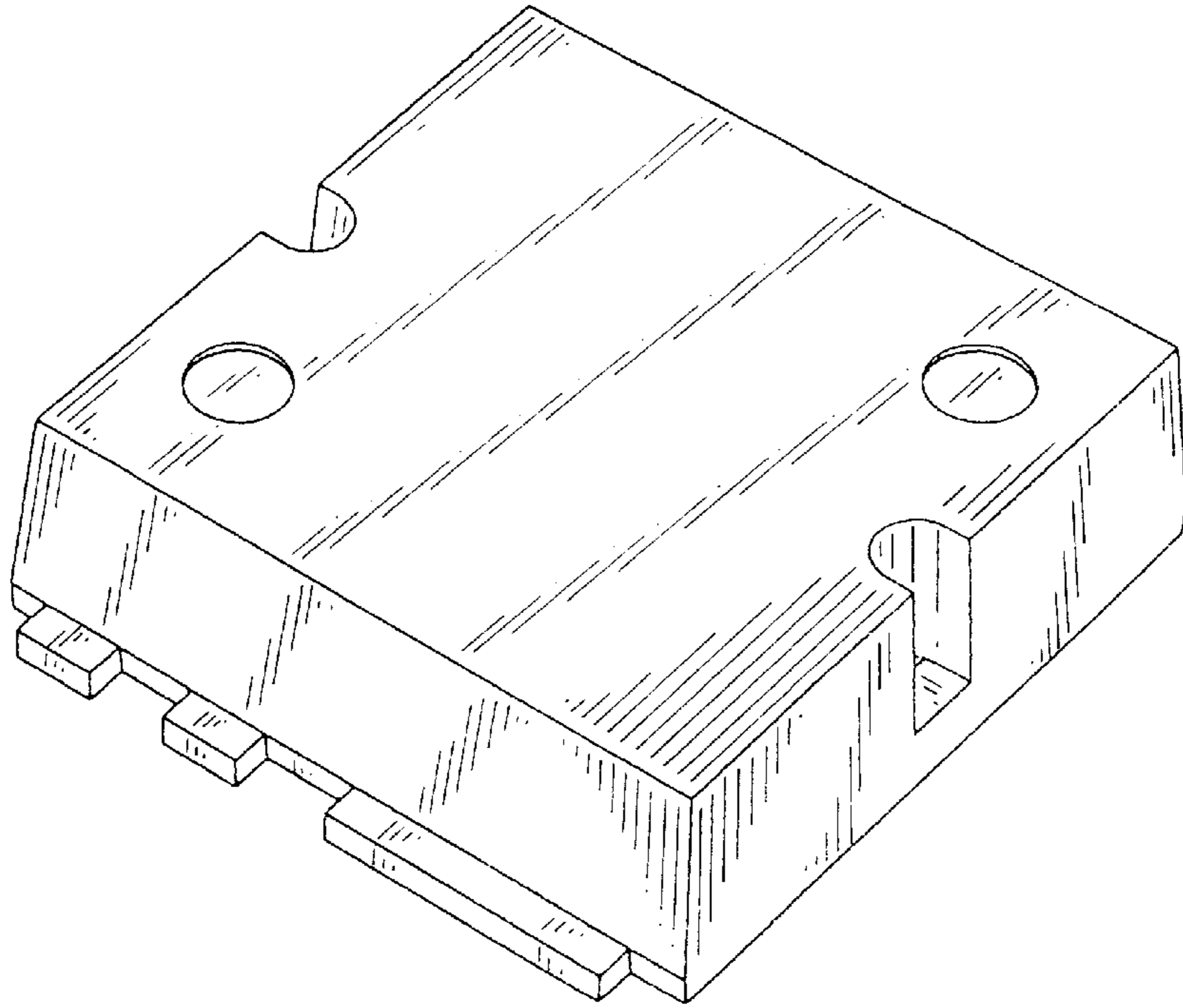


Fig. 7

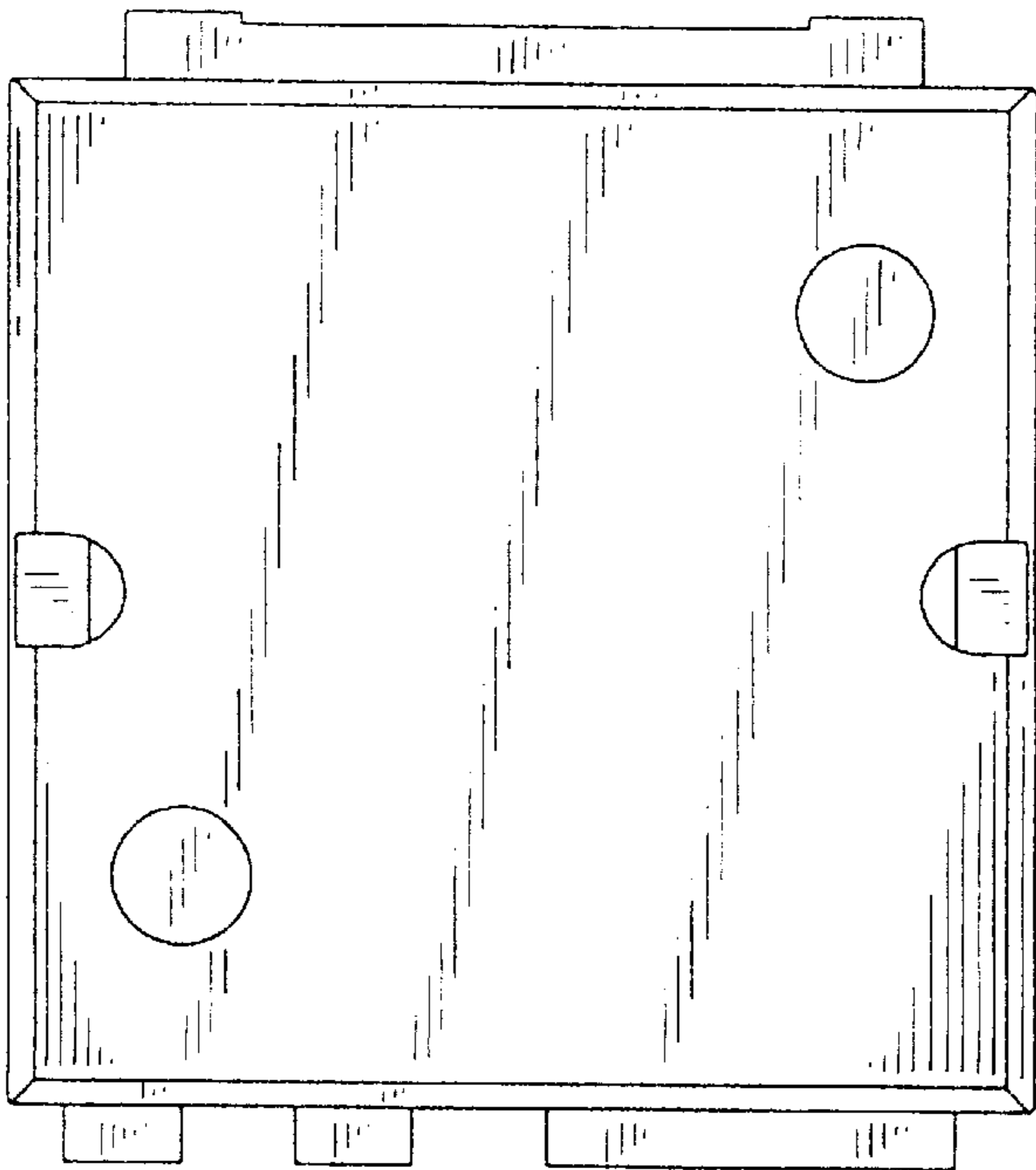


Fig. 8

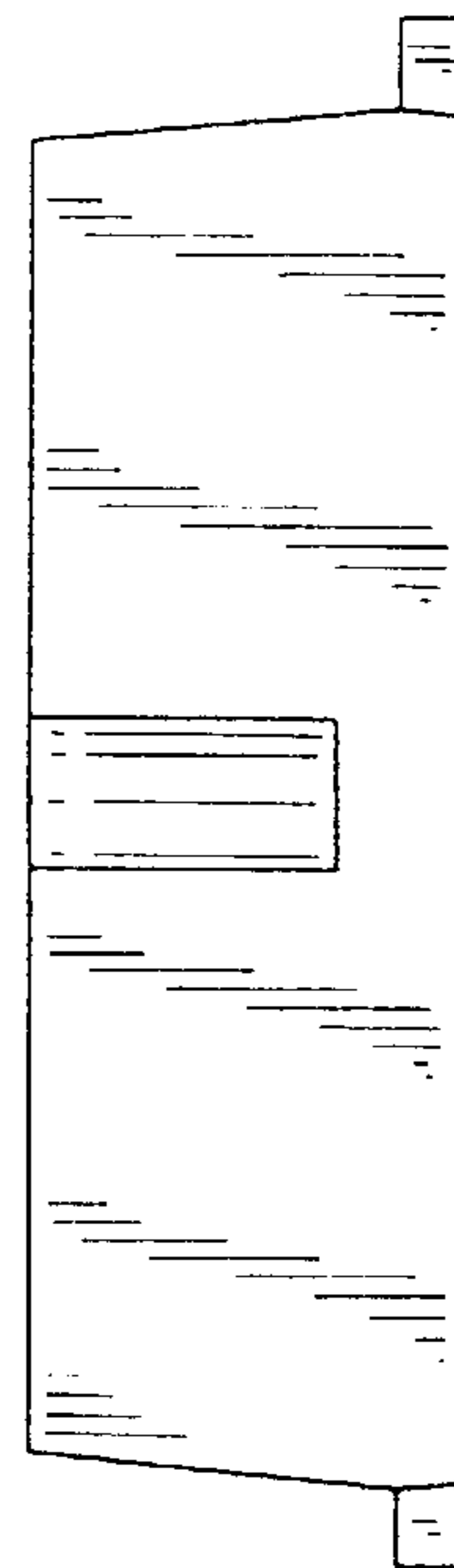


Fig. 9

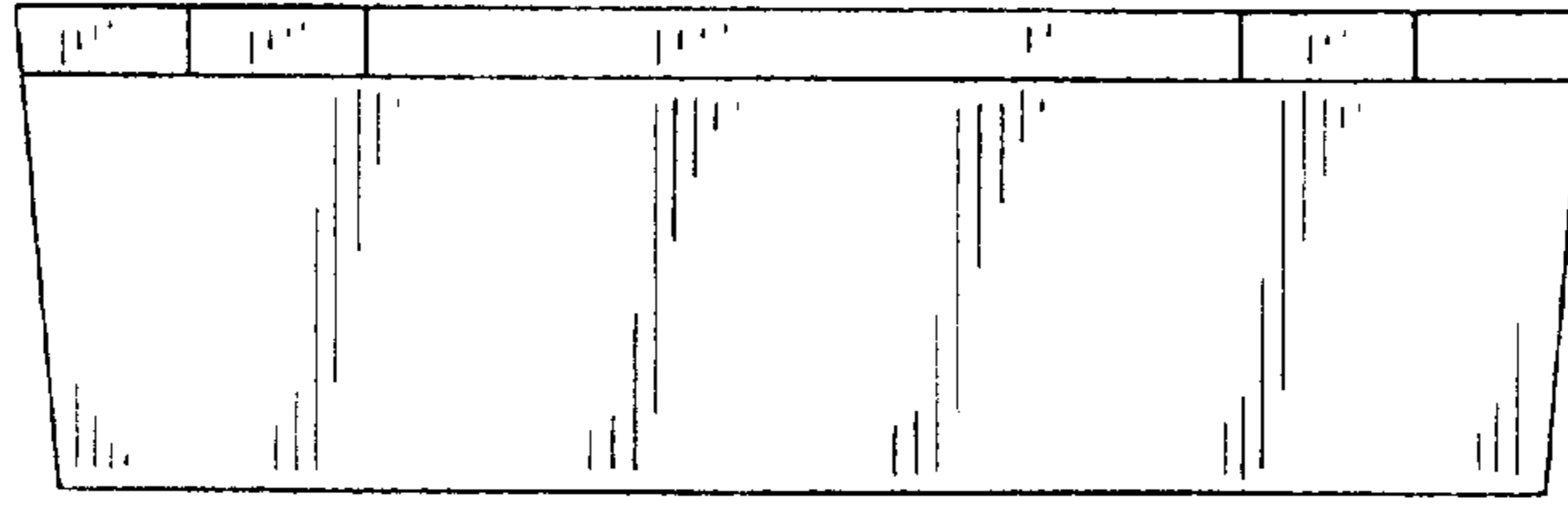


Fig. 10

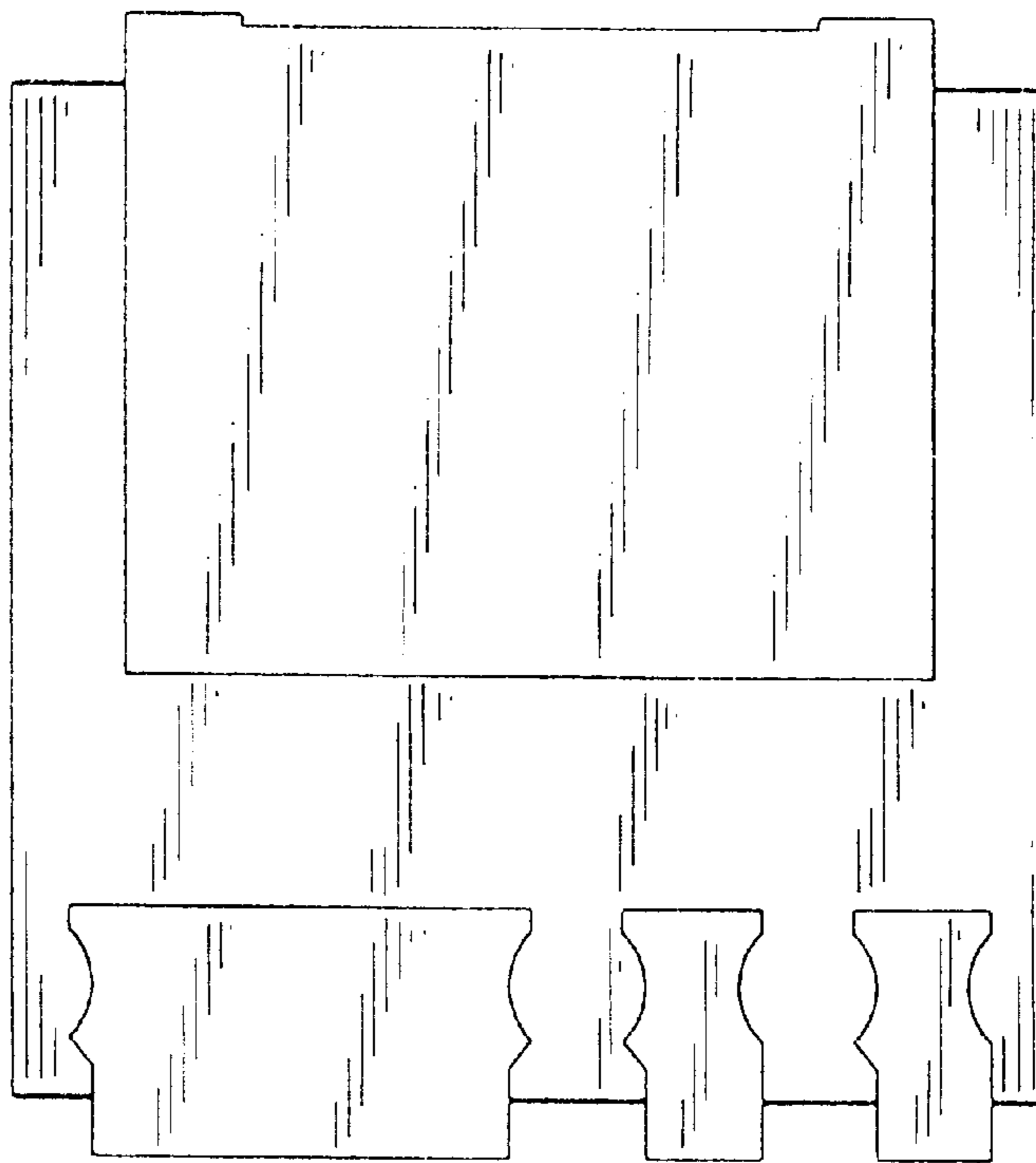


Fig. 11

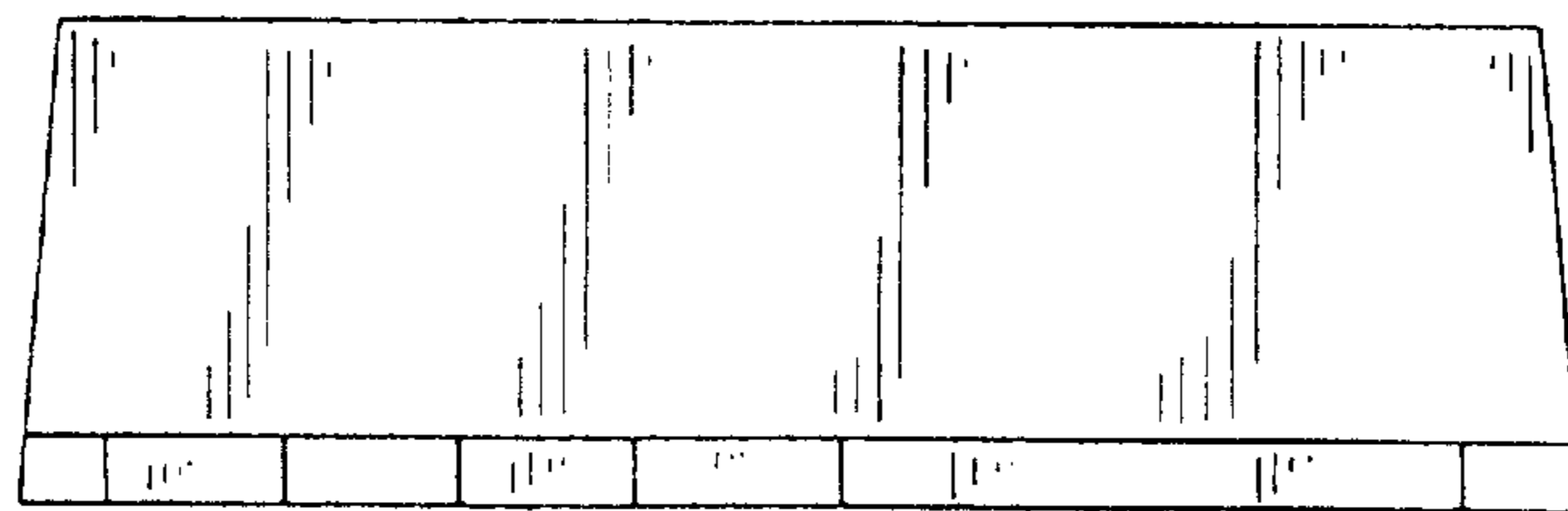


Fig. 12