



US00D444130S

(12) **United States Design Patent**
Hayashi et al.

(10) **Patent No.:** **US D444,130 S**

(45) **Date of Patent:** **** Jun. 26, 2001**

(54) **ELECTRIC CONNECTOR**

(75) Inventors: **Koji Hayashi**, Tachikawa; **Masaaki Takaku**, Tokyo, both of (JP)

(73) Assignee: **Japan Aviation Electronics Industry, Limited**, Tokyo (JP)

(**) Term: **14 Years**

(21) Appl. No.: **29/119,792**

(22) Filed: **Mar. 8, 2000**

(30) **Foreign Application Priority Data**

Sep. 9, 1999 (JP) 11-24315

(51) **LOC (7) Cl.** **13-03**

(52) **U.S. Cl.** **D13/147**

(58) **Field of Search** D13/146, 147;
439/357, 260, 329, 422, 492-499, 660

(56) **References Cited**

U.S. PATENT DOCUMENTS

D. 293,432	*	12/1987	Masuda	D13/147
D. 323,484	*	1/1992	Takayanagi	D13/147
D. 376,582	*	12/1996	Mitani et al.	D13/147
D. 429,219	*	8/2000	Chiou	D13/147
3,960,436	*	6/1976	Zebisch	439/660
5,241,135	*	8/1993	Fetzer	174/88 R
6,015,310	*	1/2000	Tojo	439/260
6,099,346	*	8/2000	Hashiguchi et al.	439/495

* cited by examiner

Primary Examiner—Joel Sincavage

(74) *Attorney, Agent, or Firm*—Laff, Whitesel & Saret, Ltd.; J. Warren Whitesel

(57) **CLAIM**

The ornamental design for an electric connector, as shown and described.

DESCRIPTION

FIG. 1 is a front elevational view of an electrical connector; FIG. 2 is a rear elevational view thereof;

FIG. 3 is a right side elevational view thereof;

FIG. 4 is a cross-sectional view thereof along the line 4—4 of FIG. 1;

FIG. 5 is a cross-sectional view thereof along the line 5—5 of FIG. 1;

FIG. 6 is a top plan view thereof;

FIG. 7 is a bottom plan view thereof;

FIG. 8 is a perspective view of the front and right side thereof; and,

FIG. 9 is a perspective view illustrating a state in use thereof wherein the electric connector is coupled with a flexible printed cable. In FIG. 9, the broken line shows a flexible printed circuit which is included only to illustrate the environmental structure and forms no part of the claimed design.

A left side elevational view of the electrical connector is omitted because it is presented symmetrical to the right side elevational view of FIG. 3.

1 Claim, 3 Drawing Sheets

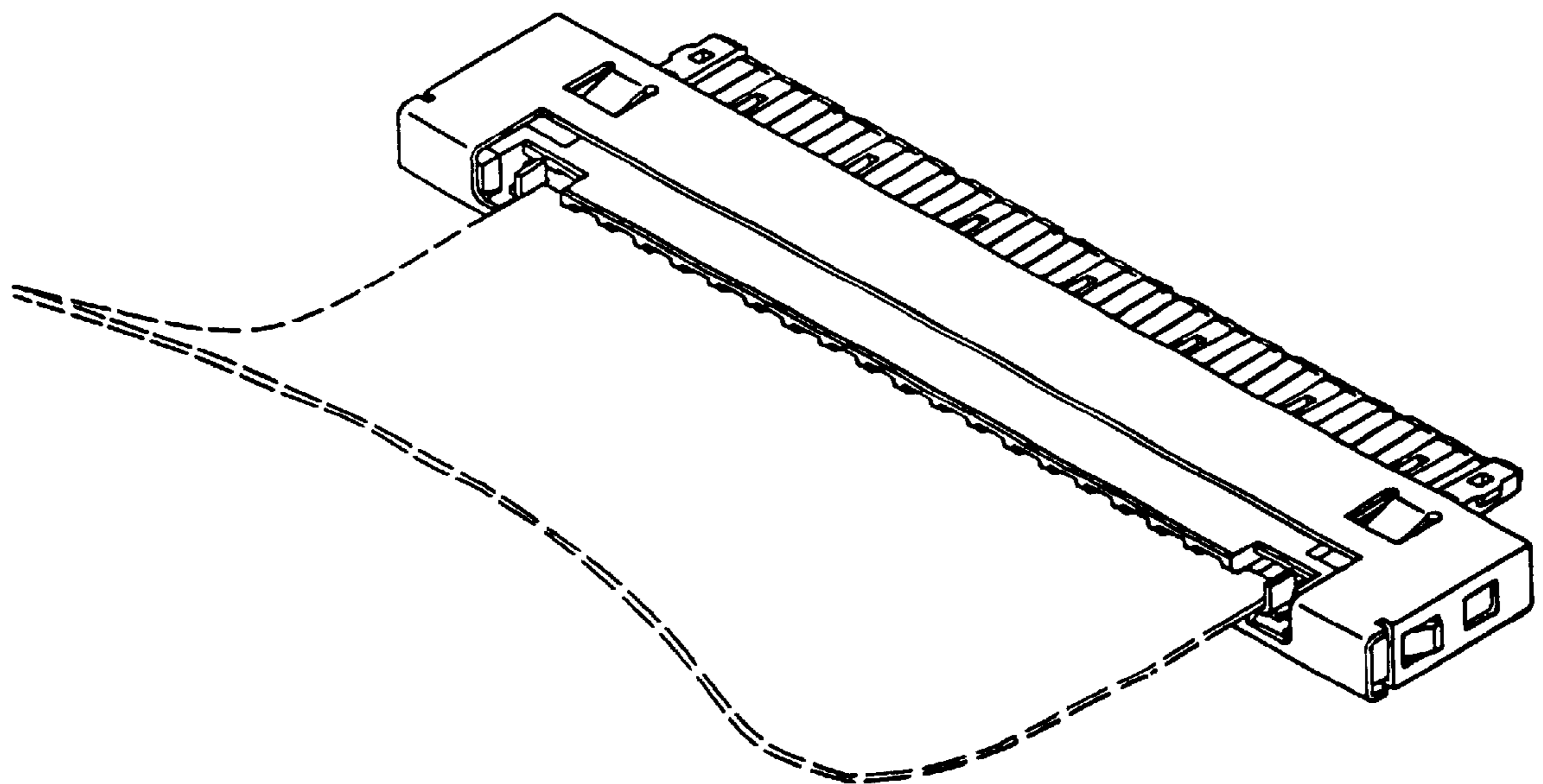


FIG. 1

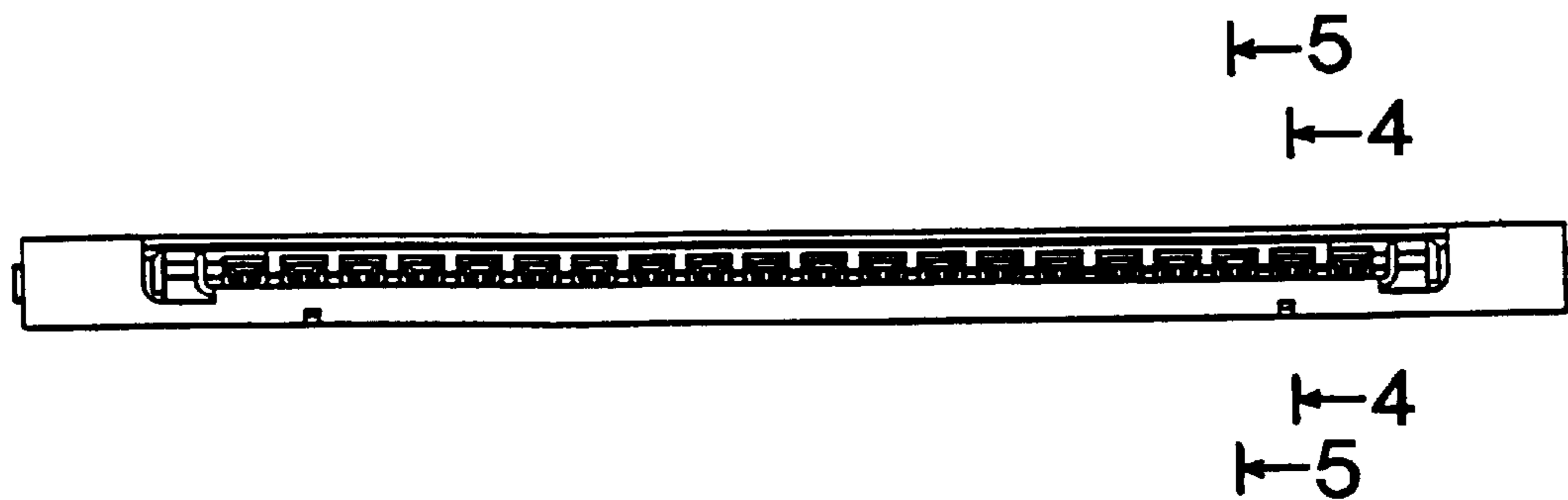


FIG. 2



FIG. 3



FIG. 4



FIG. 5



FIG. 6

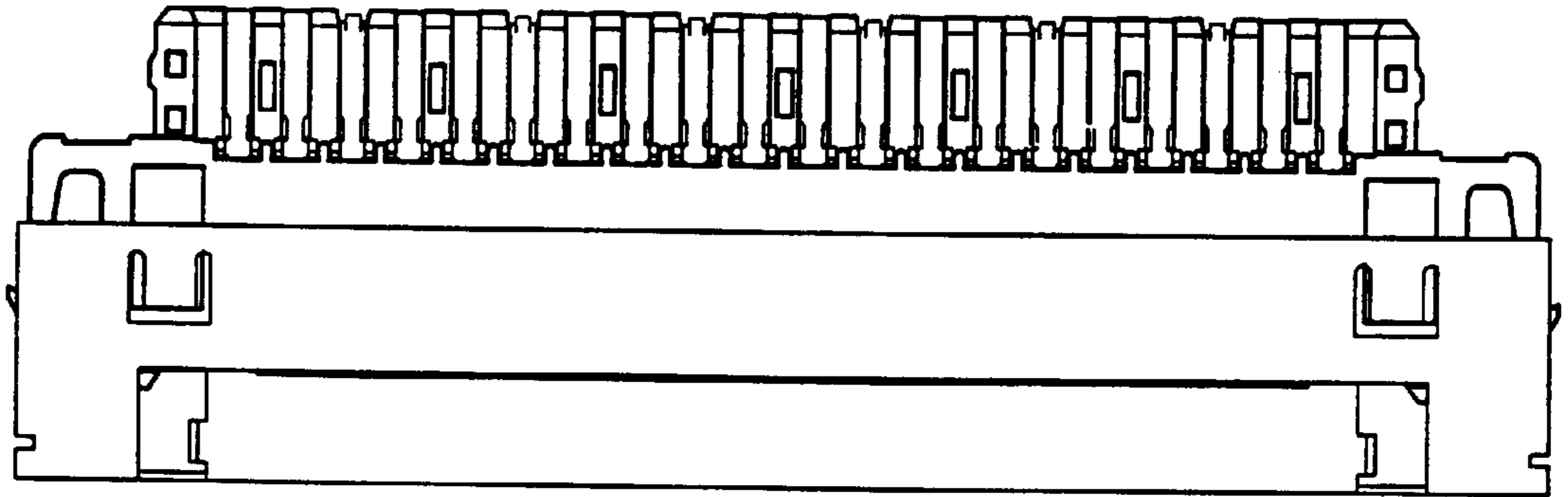
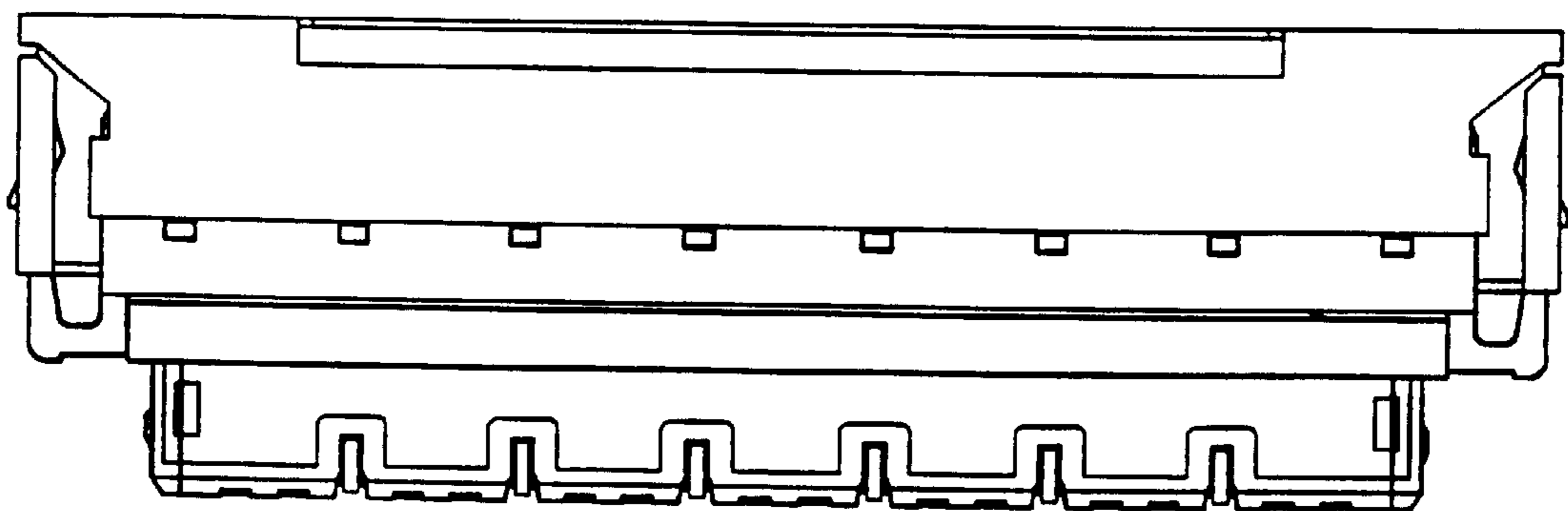


FIG. 7



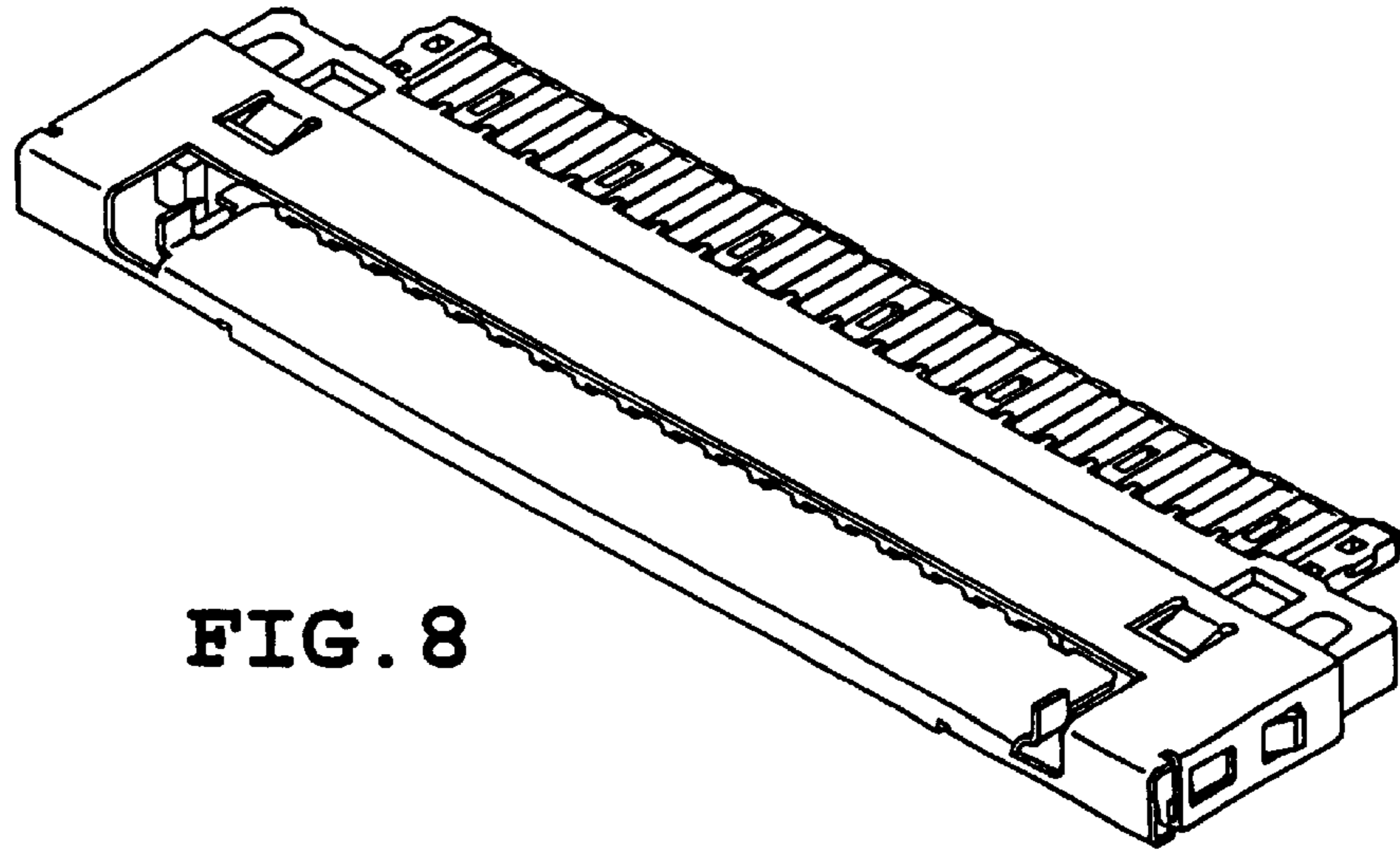


FIG. 8

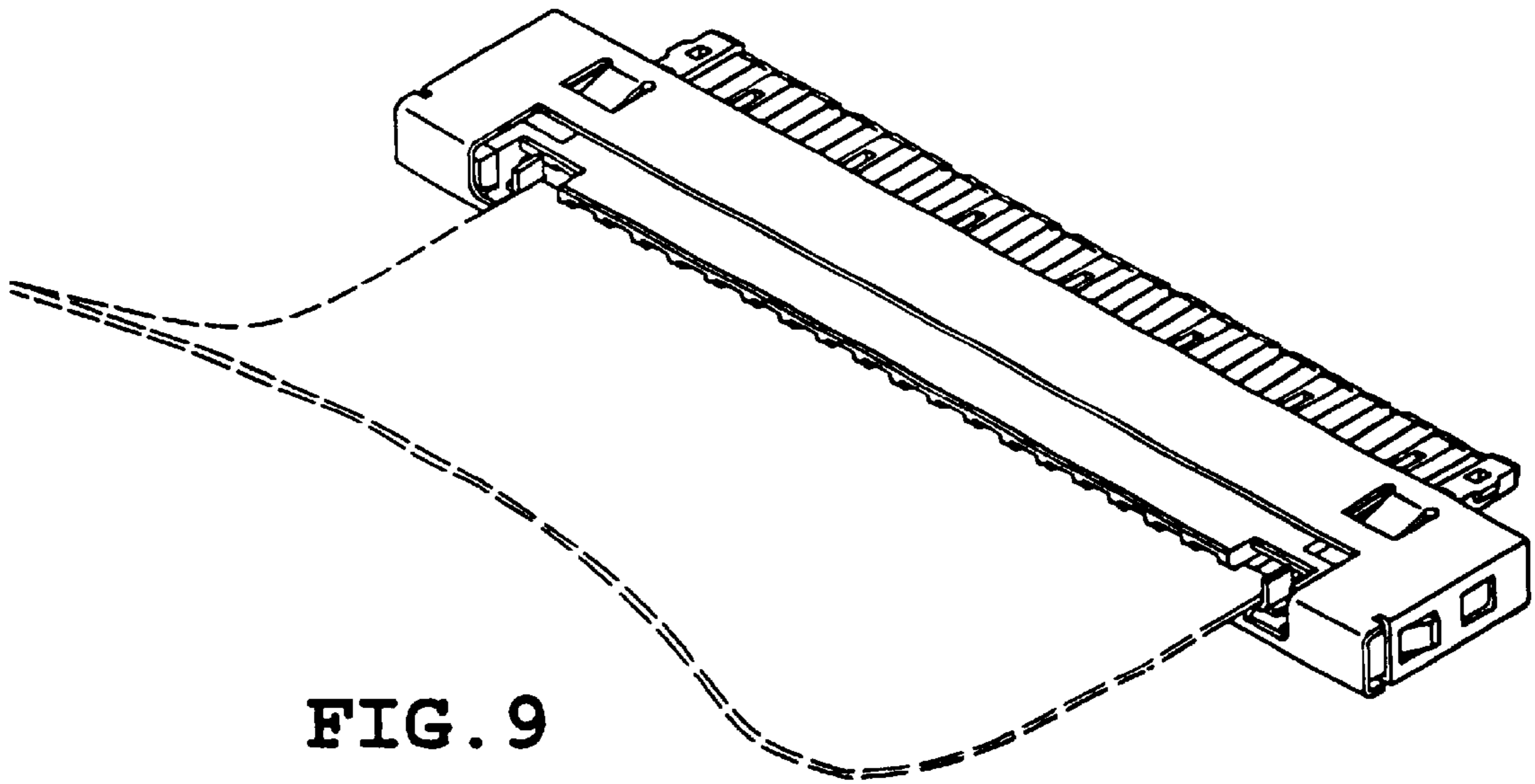


FIG. 9