



US00D444127S

(12) **United States Design Patent**
Wong

(10) **Patent No.:** **US D444,127 S**

(45) **Date of Patent:** **** Jun. 26, 2001**

(54) **TERMINAL BLOCK**

(75) Inventor: **Hip Sang Sammy Wong**, Quarry Bay (CN)

(73) Assignee: **Edwin McAuley Electronics Ltd.**, Hong Kong (CN)

(**) Term: **14 Years**

(21) Appl. No.: **29/128,648**

(22) Filed: **Aug. 29, 2000**

(51) **LOC (7) Cl.** **13-03**

(52) **U.S. Cl.** **D13/146**

(58) **Field of Search** D13/146, 147, D13/151, 149; 439/709, 715, 716, 717, 721, 723, 724; 361/823

(56) **References Cited**

U.S. PATENT DOCUMENTS

Re. 35,325	*	9/1996	Wass et al.	439/412
D. 423,458	*	4/2000	Poirier	D13/149
4,659,169	*	4/1987	Ustin et al.	439/715
5,203,716	*	4/1993	Martucci et al.	439/411
5,820,420	*	10/1998	Bechaz et al.	439/716
5,836,791	*	11/1998	Waas et al.	439/709
5,860,829	*	1/1999	Hower et al.	439/417
5,993,267	*	11/1999	Lin	439/709
6,074,240	*	6/2000	Bradshaw et al.	439/709 X

6,093,050	*	7/2000	Baum et al.	439/412
6,146,187	*	11/2000	Pallai	439/441

* cited by examiner

Primary Examiner—Joel Sincavage

(74) *Attorney, Agent, or Firm*—Alix, Yale & Ristas, LLP

(57) **CLAIM**

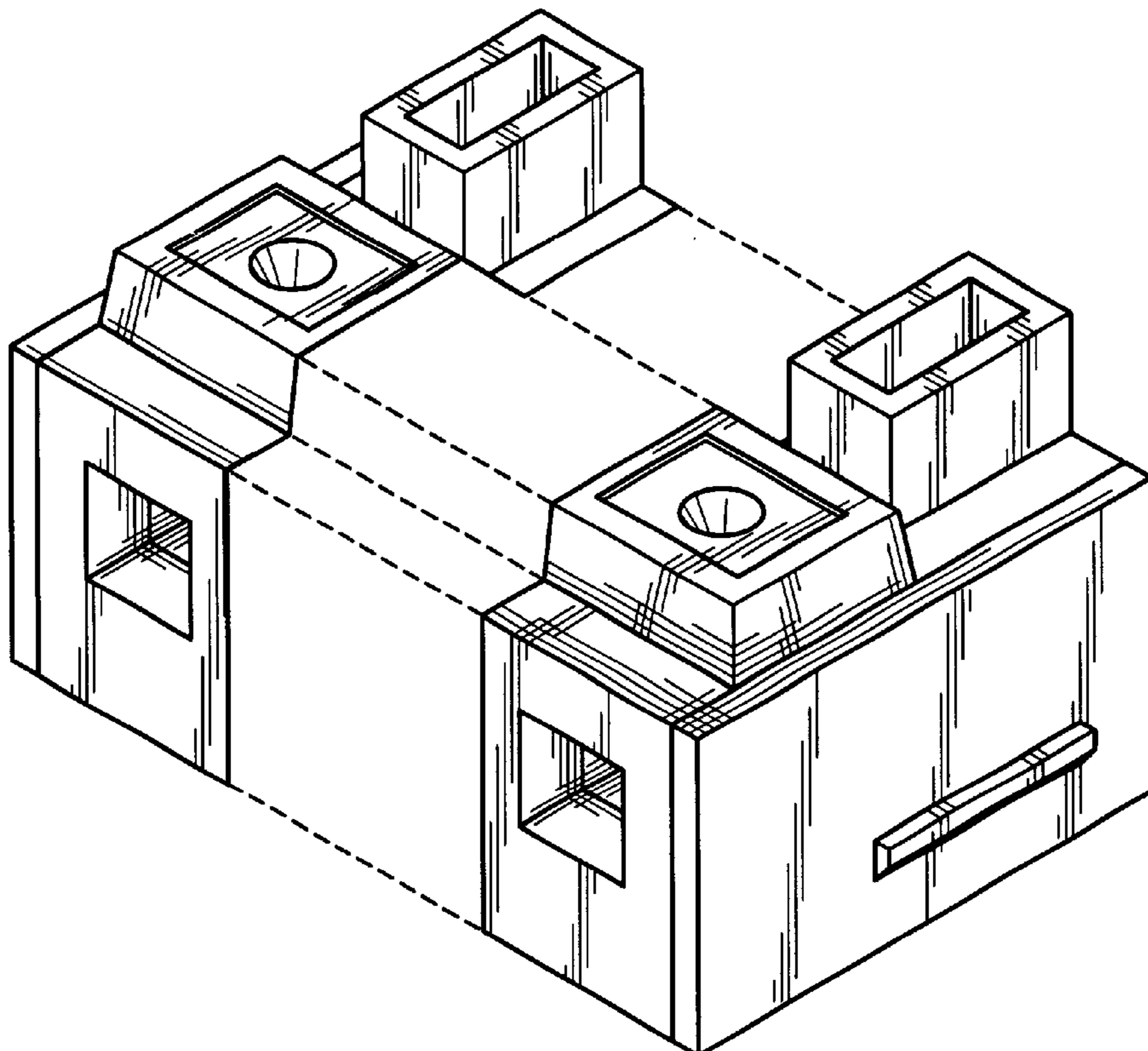
The ornamental design for a terminal block, as shown and described.

DESCRIPTION

FIG. 1 is a front perspective view, portions being shown in broken lines, of the terminal block showing my new design; FIG. 2 is a front view, portions being shown in broken lines, of the terminal block of FIG. 1; FIG. 3 is a bottom plan view, portions being shown in broken lines, of the terminal block of FIG. 1; FIG. 4 is a left side view, portions being shown in broken lines, of the terminal block of FIG. 1; FIG. 5 is a right side view, portions being shown in broken lines, of the terminal block of FIG. 1; FIG. 6 is a top plan view, portions being shown in broken lines, of the terminal block of FIG. 1; and, FIG. 7 is a rear view, portions being shown in broken lines, of the terminal block of FIG. 1.

The portions shown in broken lines form no part of the claimed design.

1 Claim, 4 Drawing Sheets



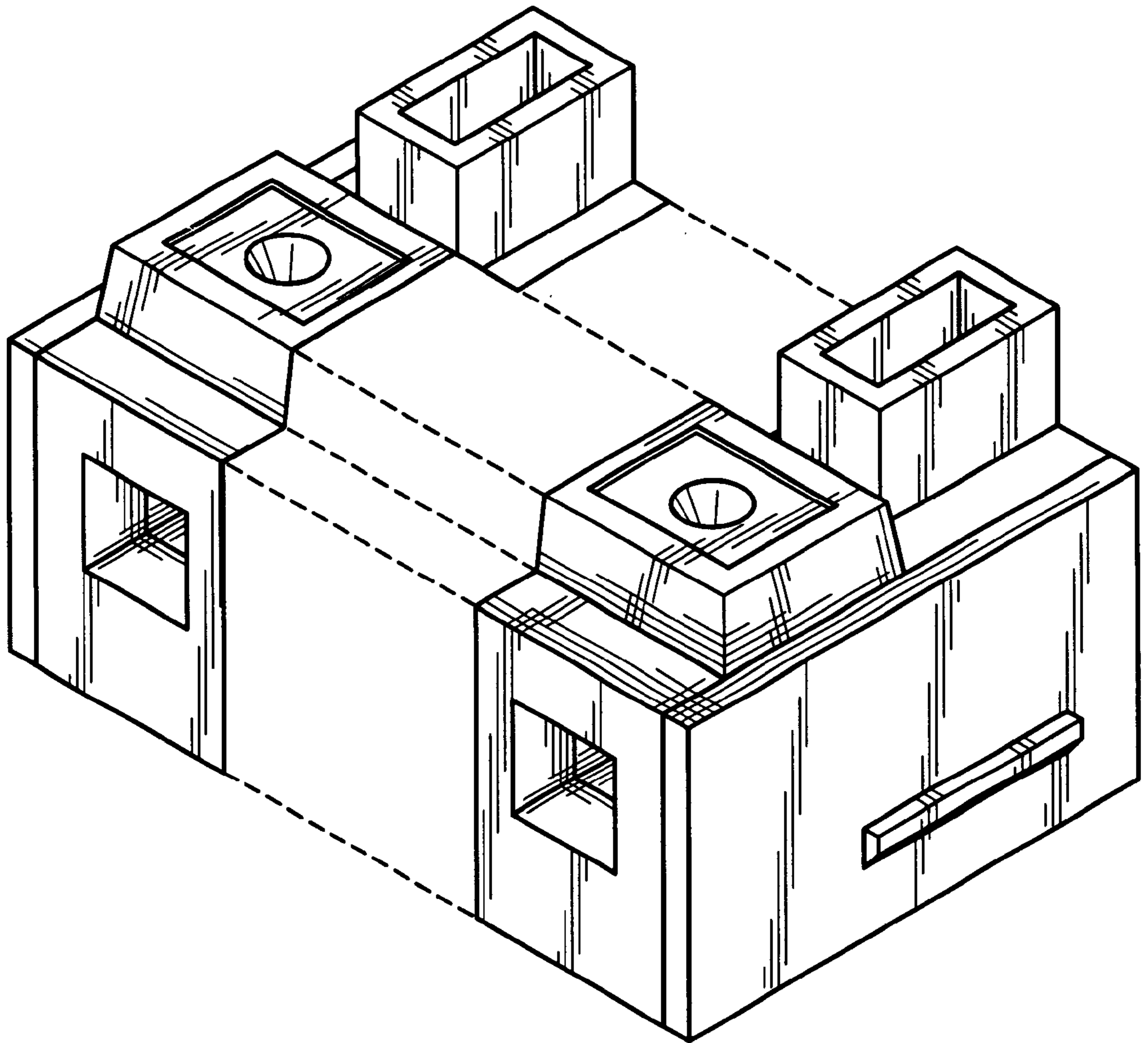


FIG. 1

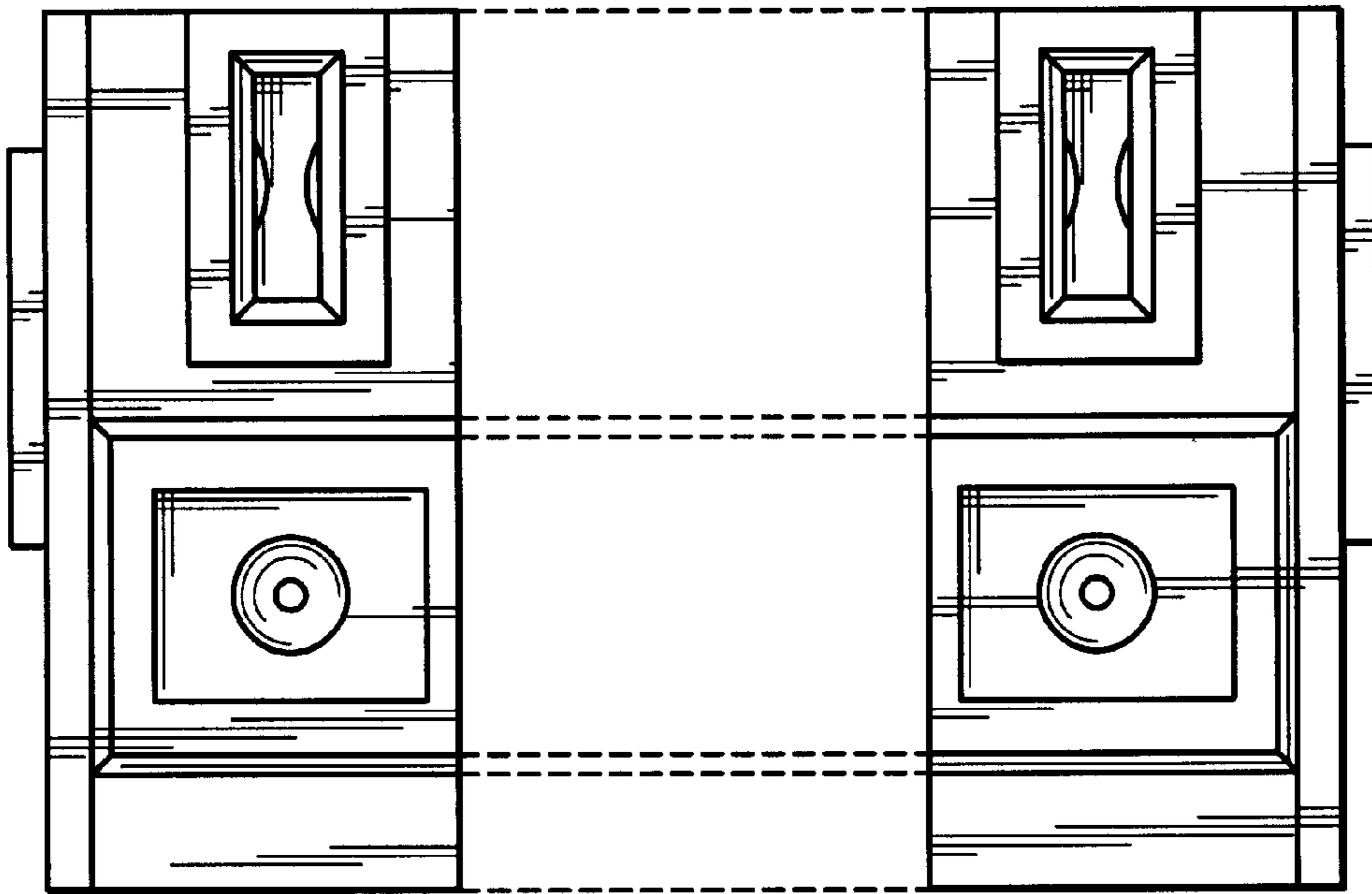


FIG. 2

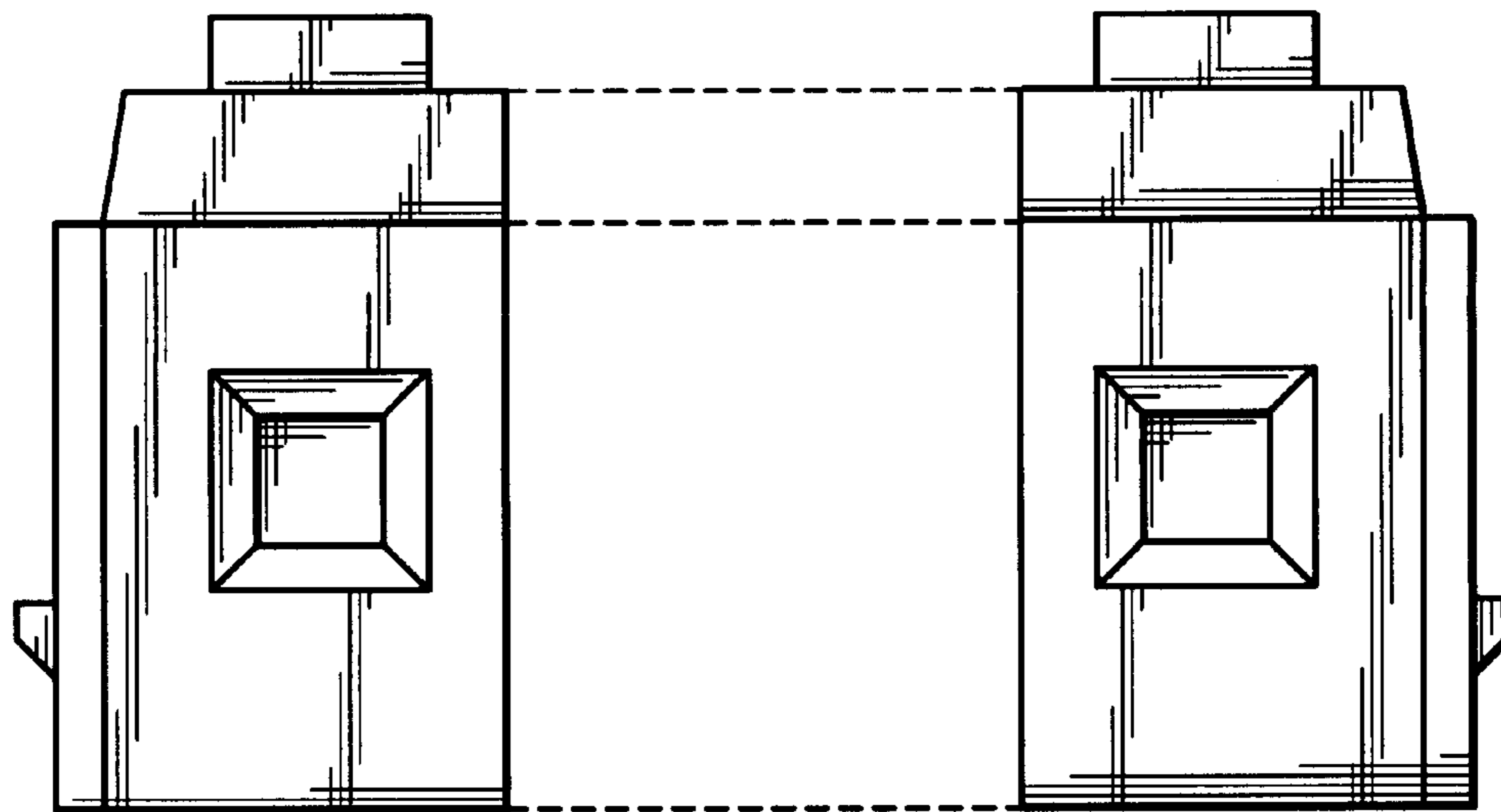


FIG. 3

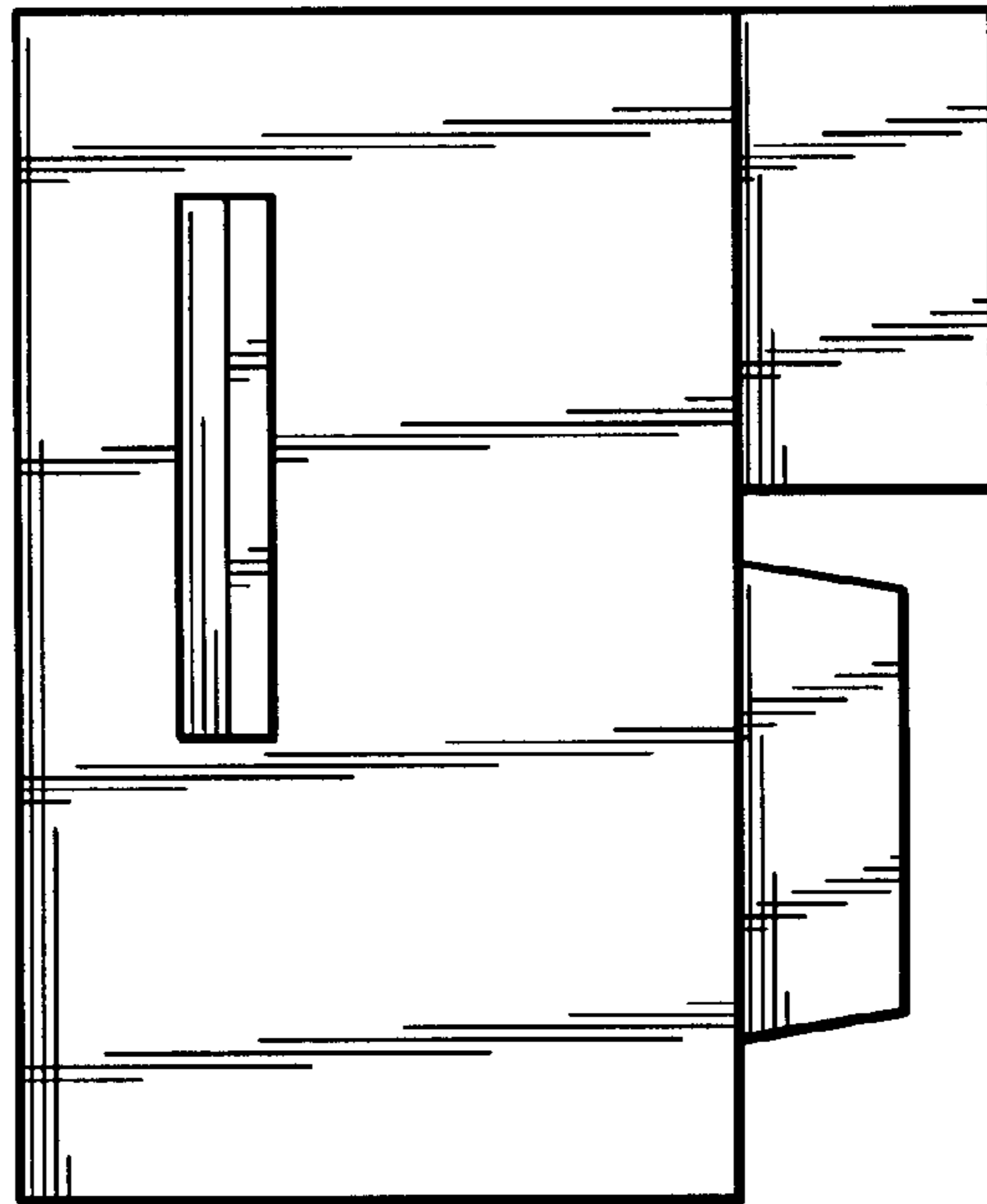


FIG. 4

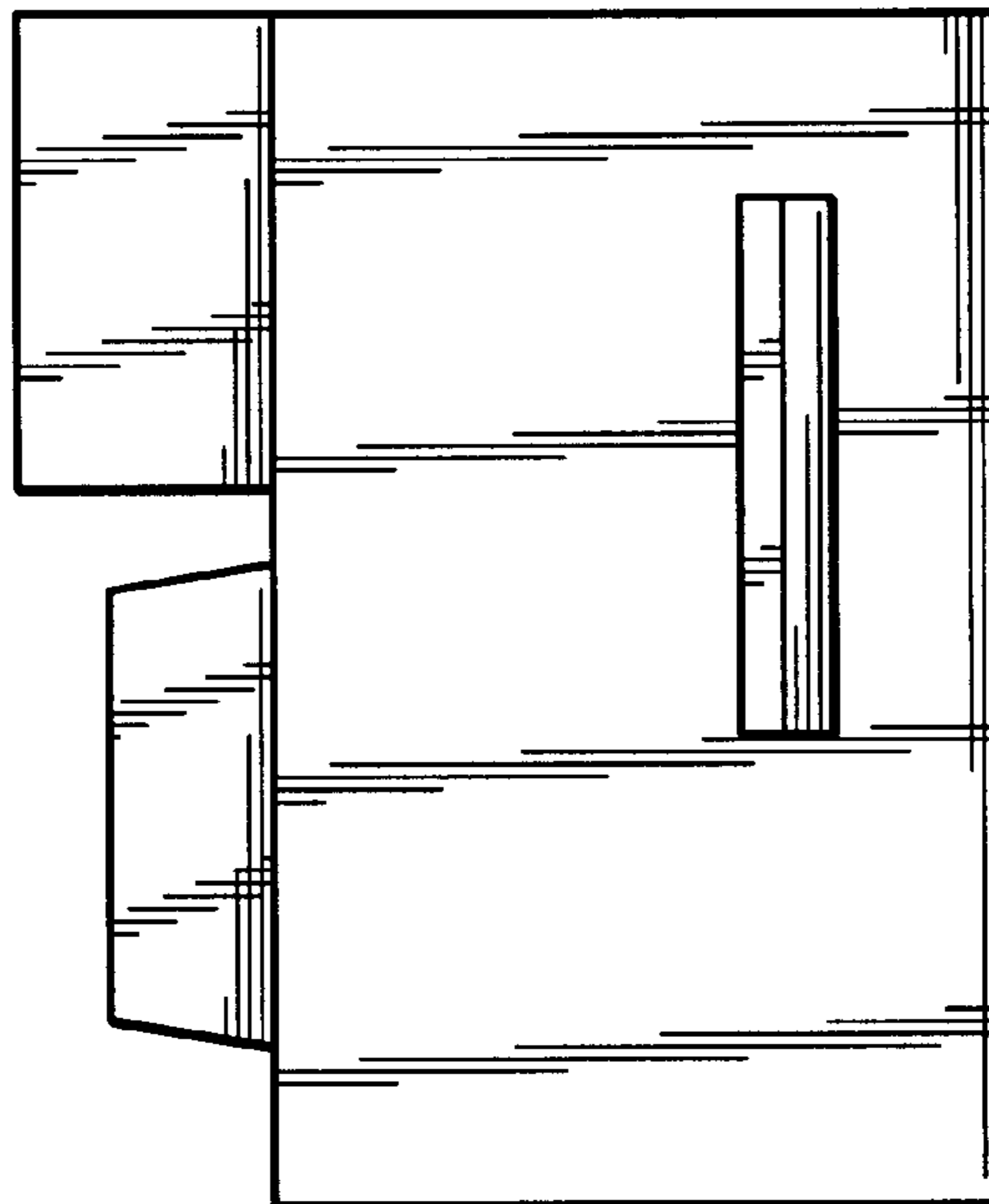


FIG. 5

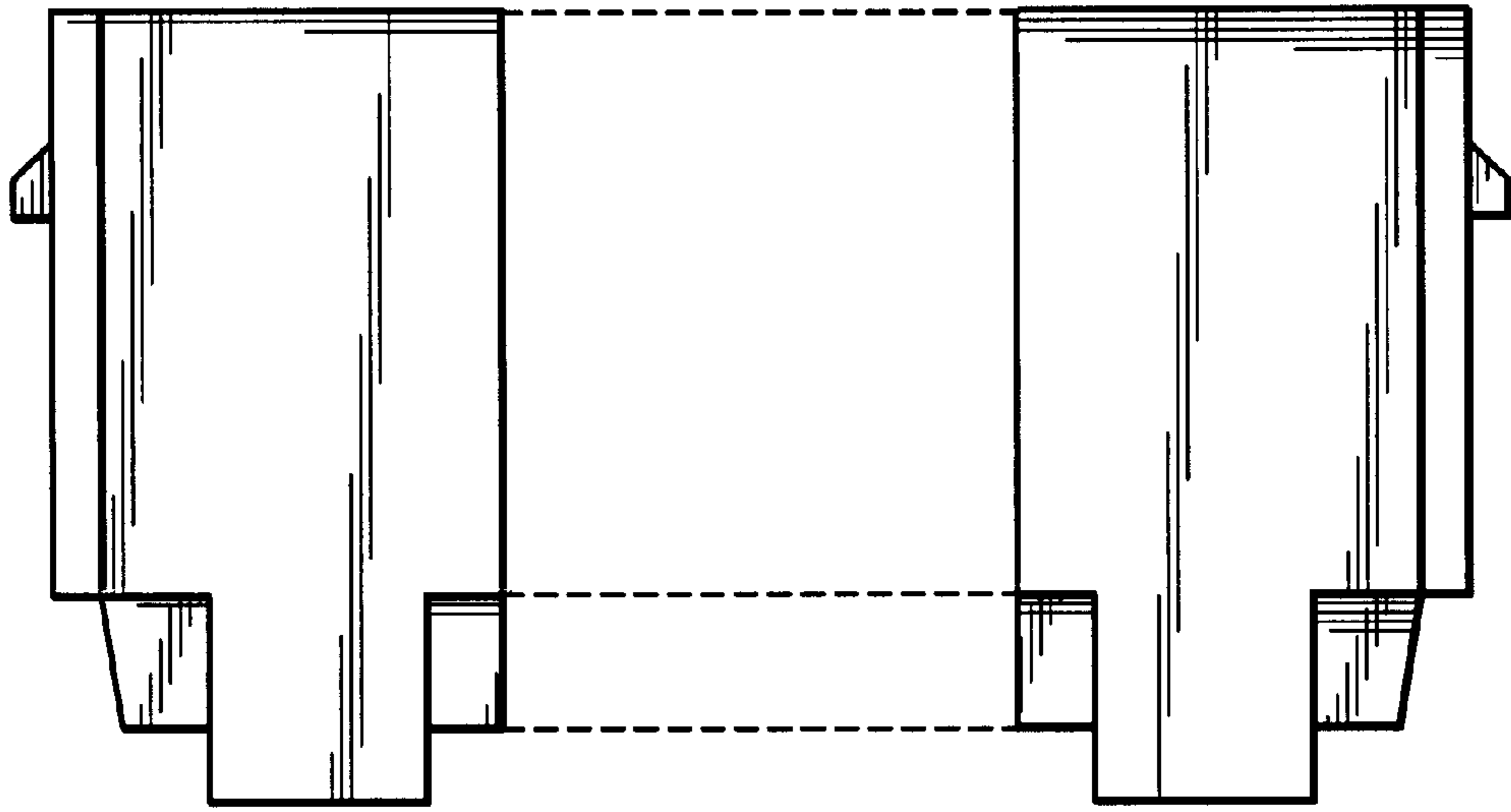


FIG. 6

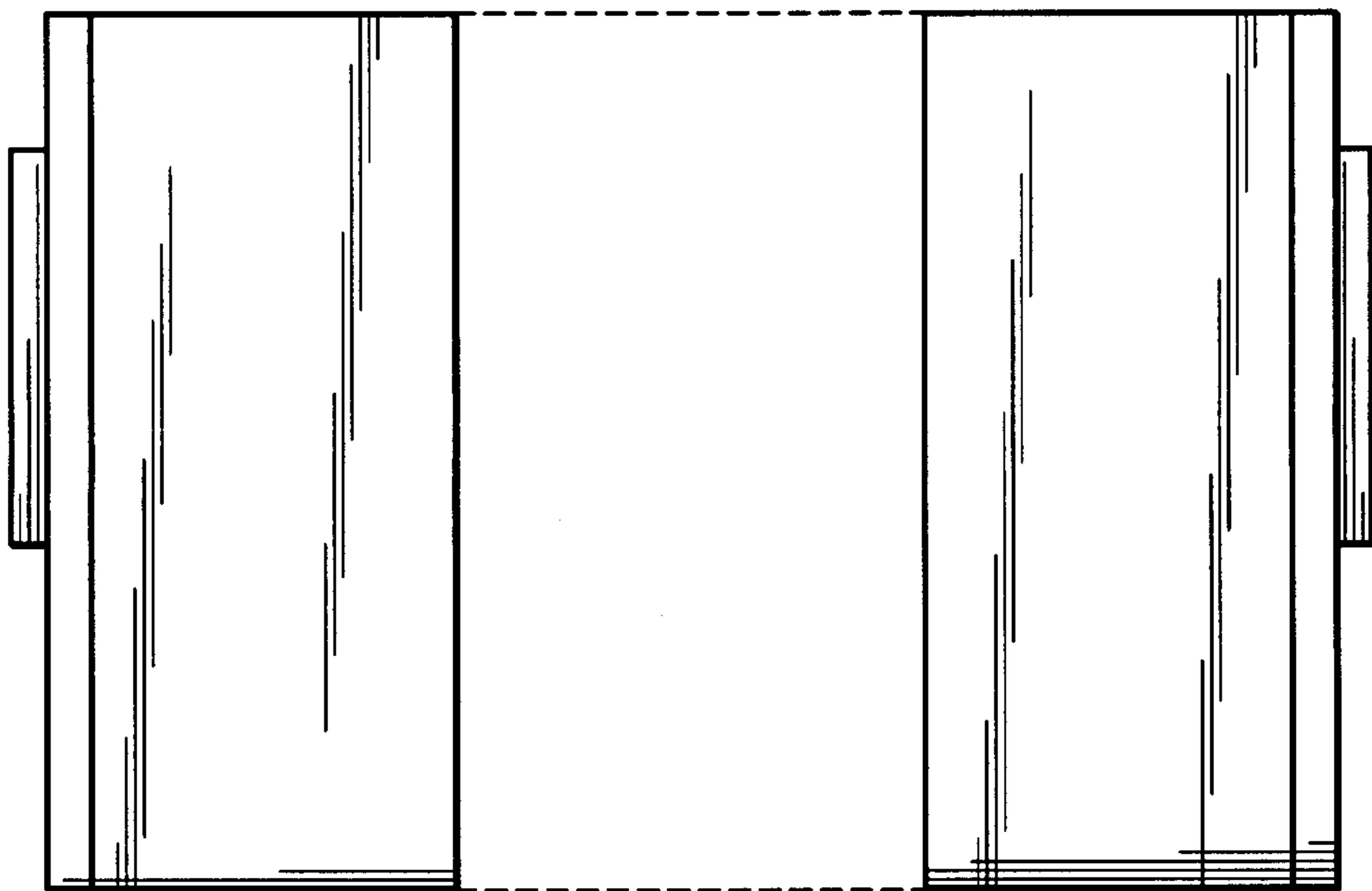


FIG. 7